

CBD033

Installation Instruction

Please read this instruction manual carefully before installation and use.

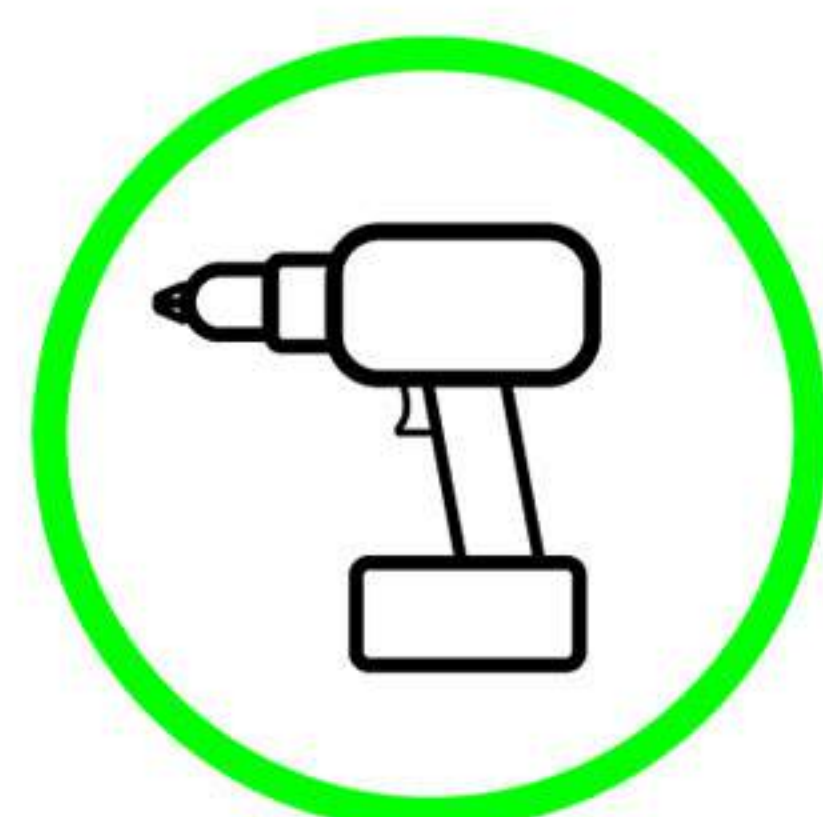
Assembly notes:

1. First, make sure that all panels and parts are not damaged or missing.
2. During the installation process, be careful not to bump or scratch the panel surface.
3. Please read the instructions carefully before installation and install in order.
4. Please use each screw accessory strictly according to the instructions.
5. The slide needs to be split into two parts when in use. For the splitting method, see the slide instructions.
6. Please keep the packaging box in case of any problems. You can check the product model and production batch number printed on the outside of the packaging box.

Precautions after assembly:

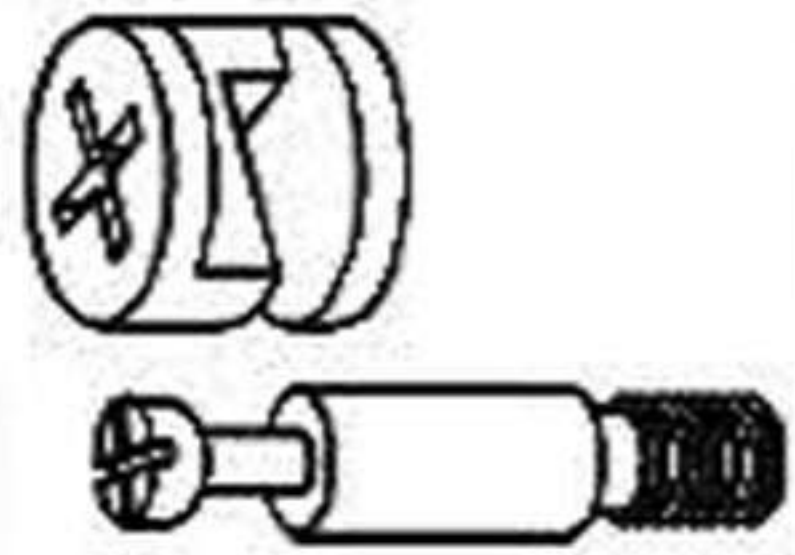




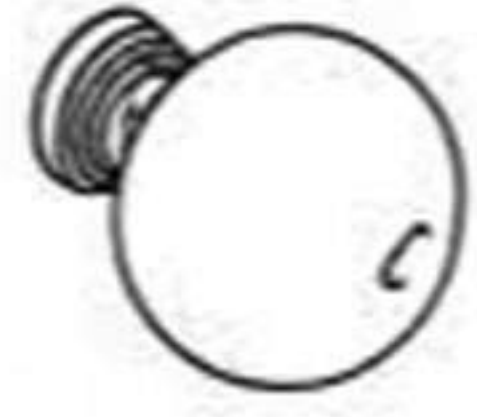
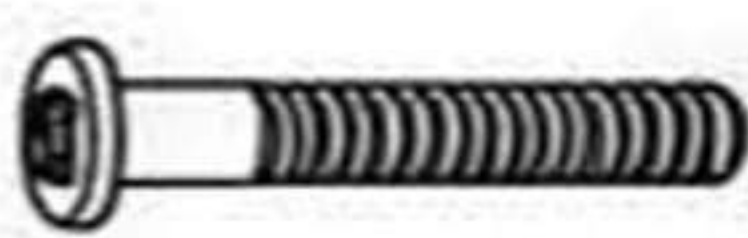
1. After installation, check whether all parts are installed and the locks are locked.
2. Check the overall stability of the cabinet to see if there is any vibration.
3. When using the lock, do not use excessive force to avoid damage to the lock. Just turn it clockwise until it cannot turn.

NOTE: ES001 - 3 Speed Portable Cordless Electric Screwdriver is highly recommended for installation.

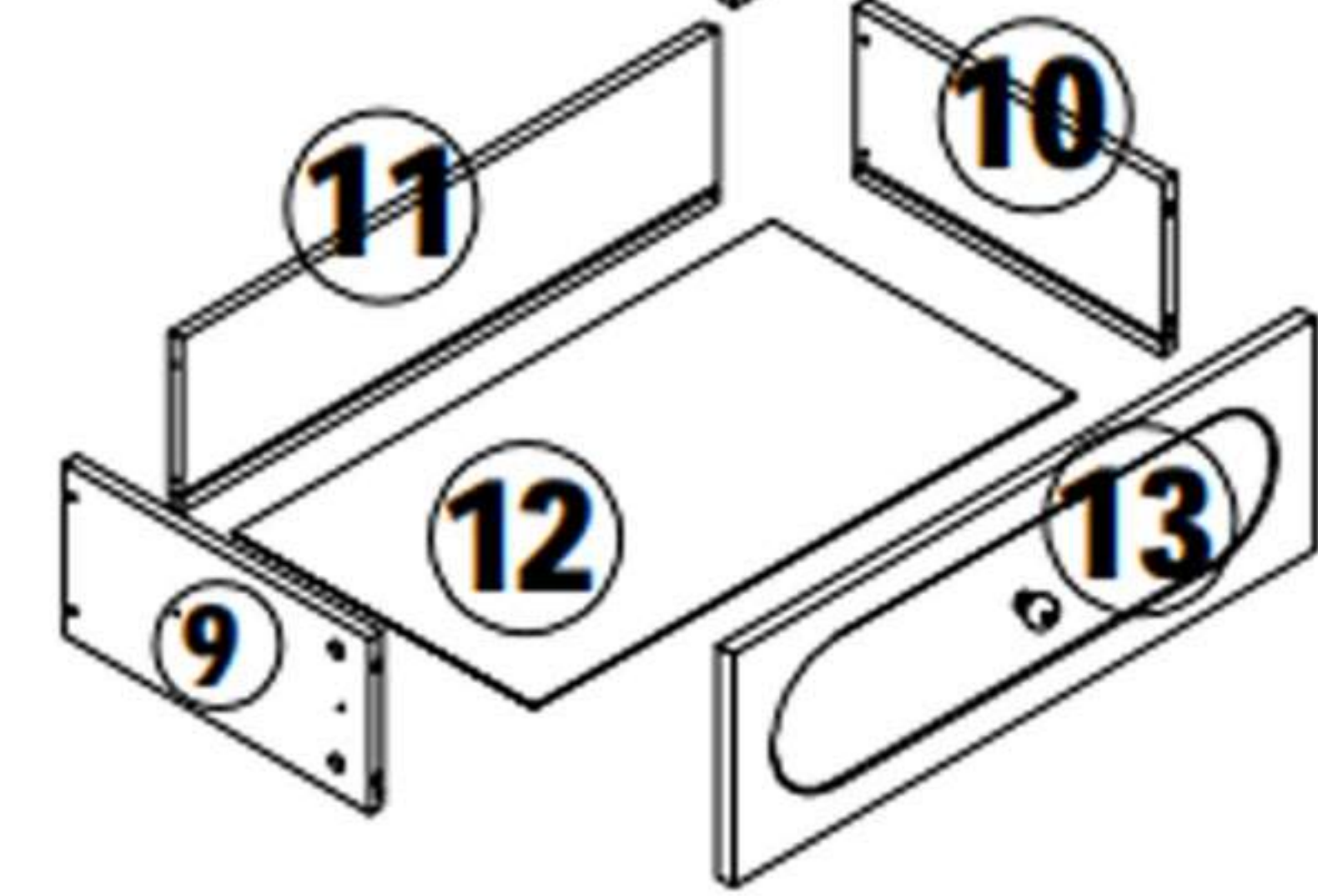
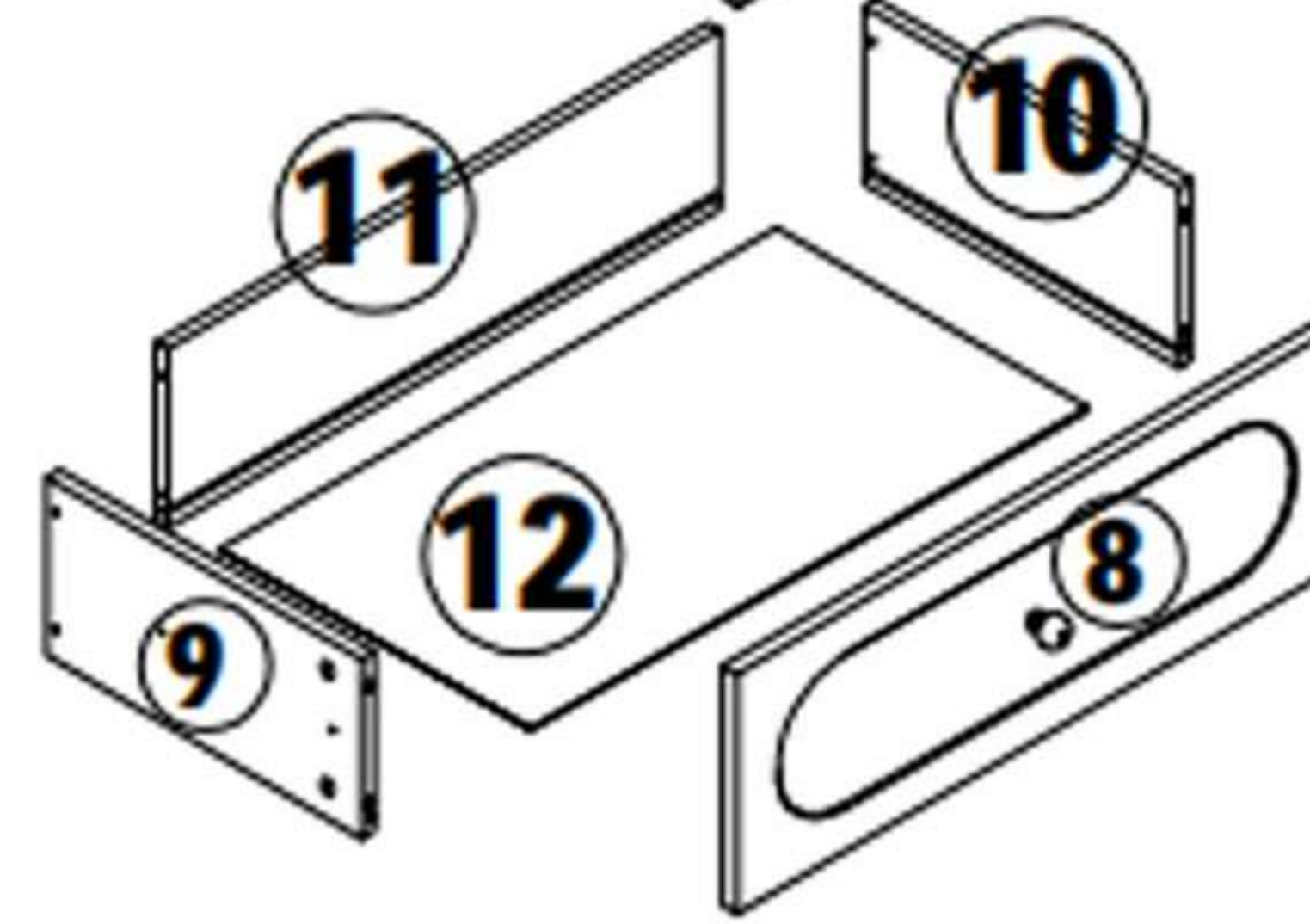
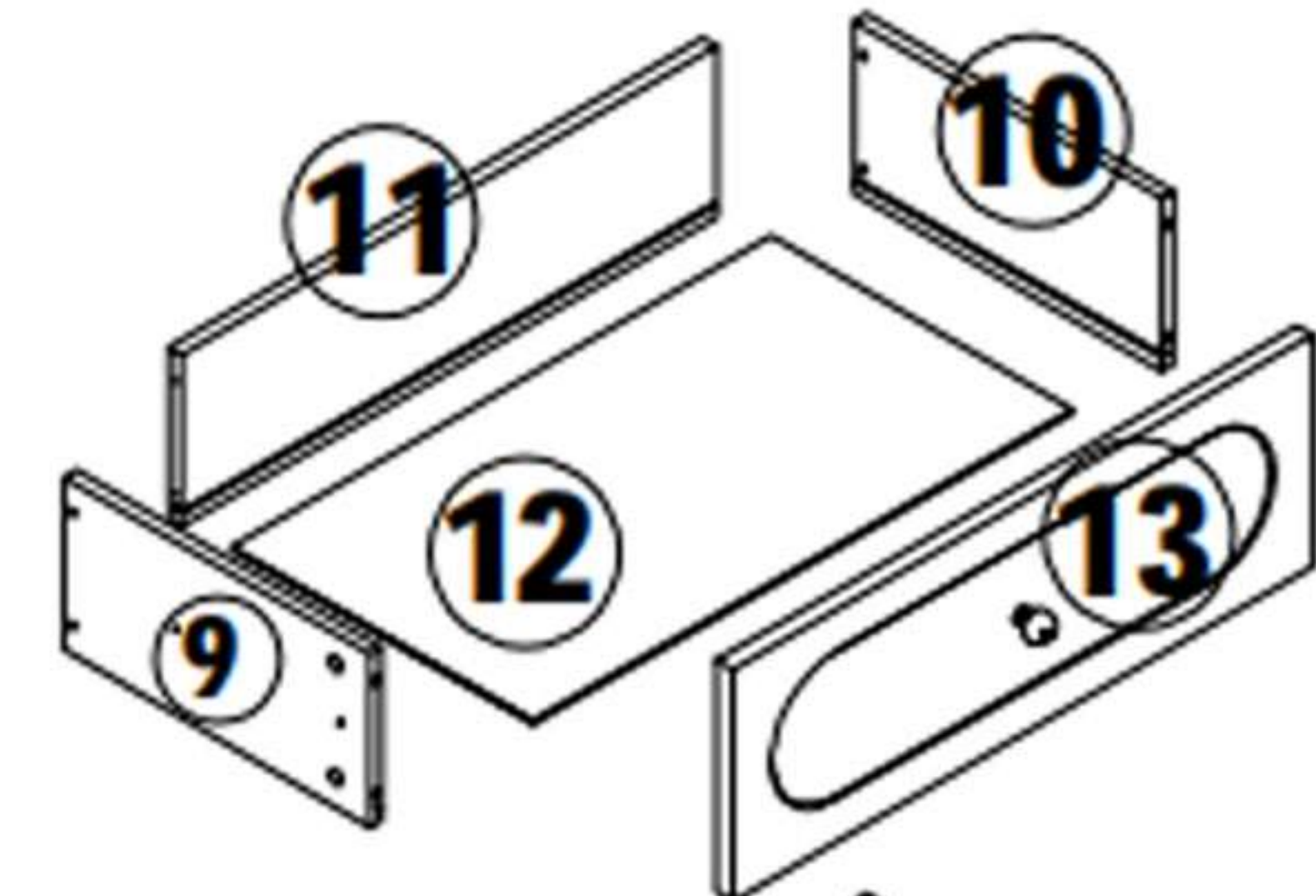
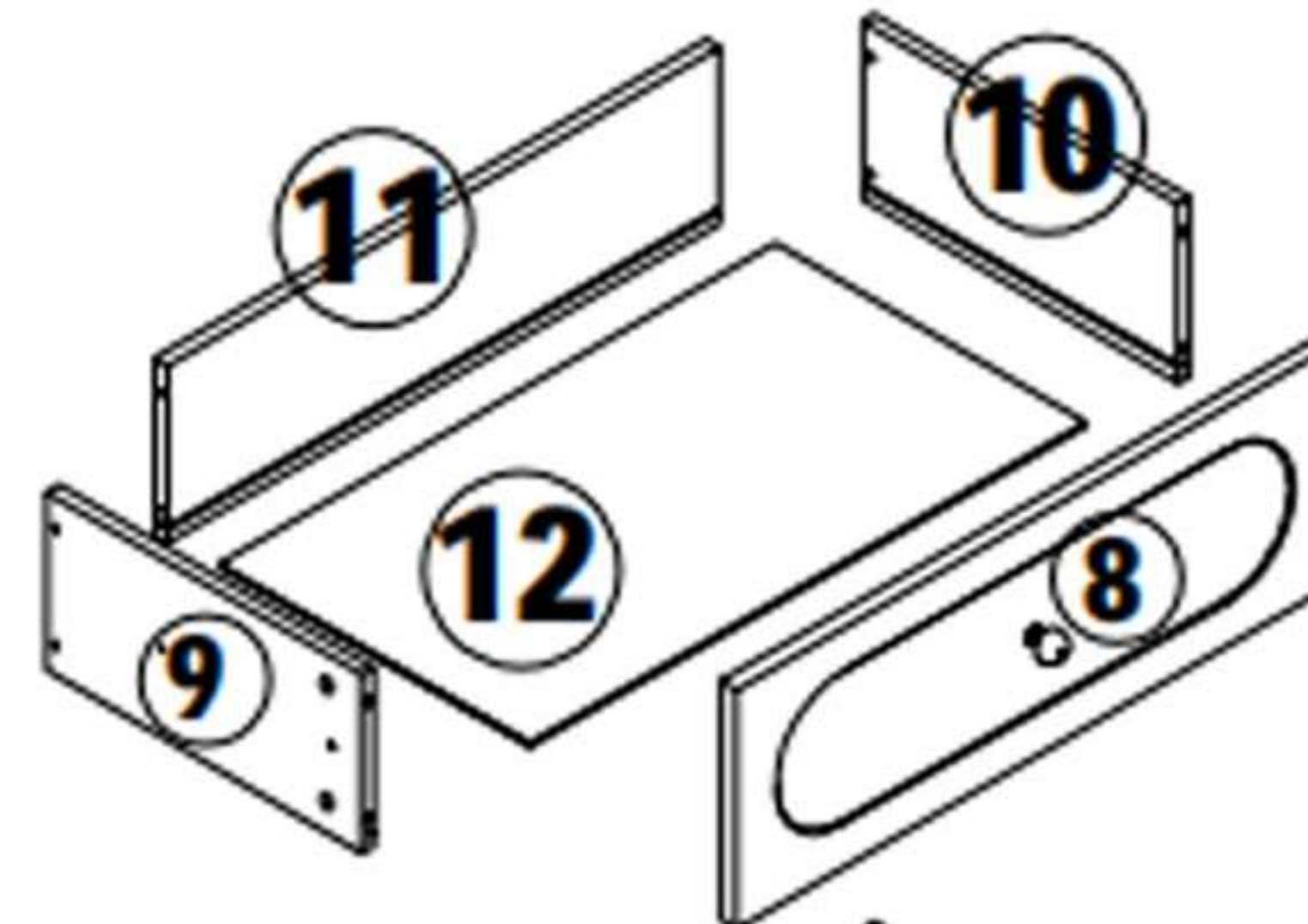
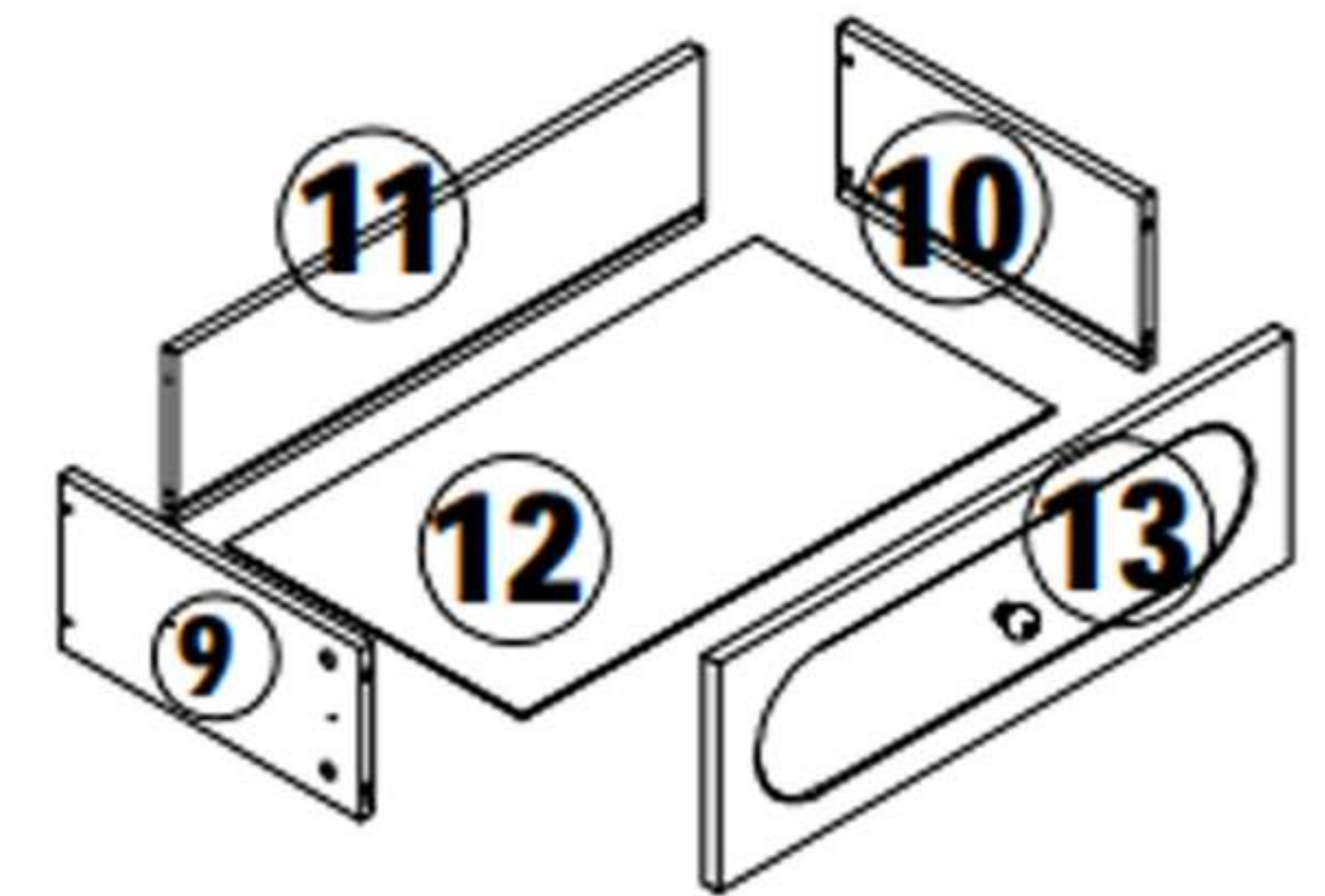
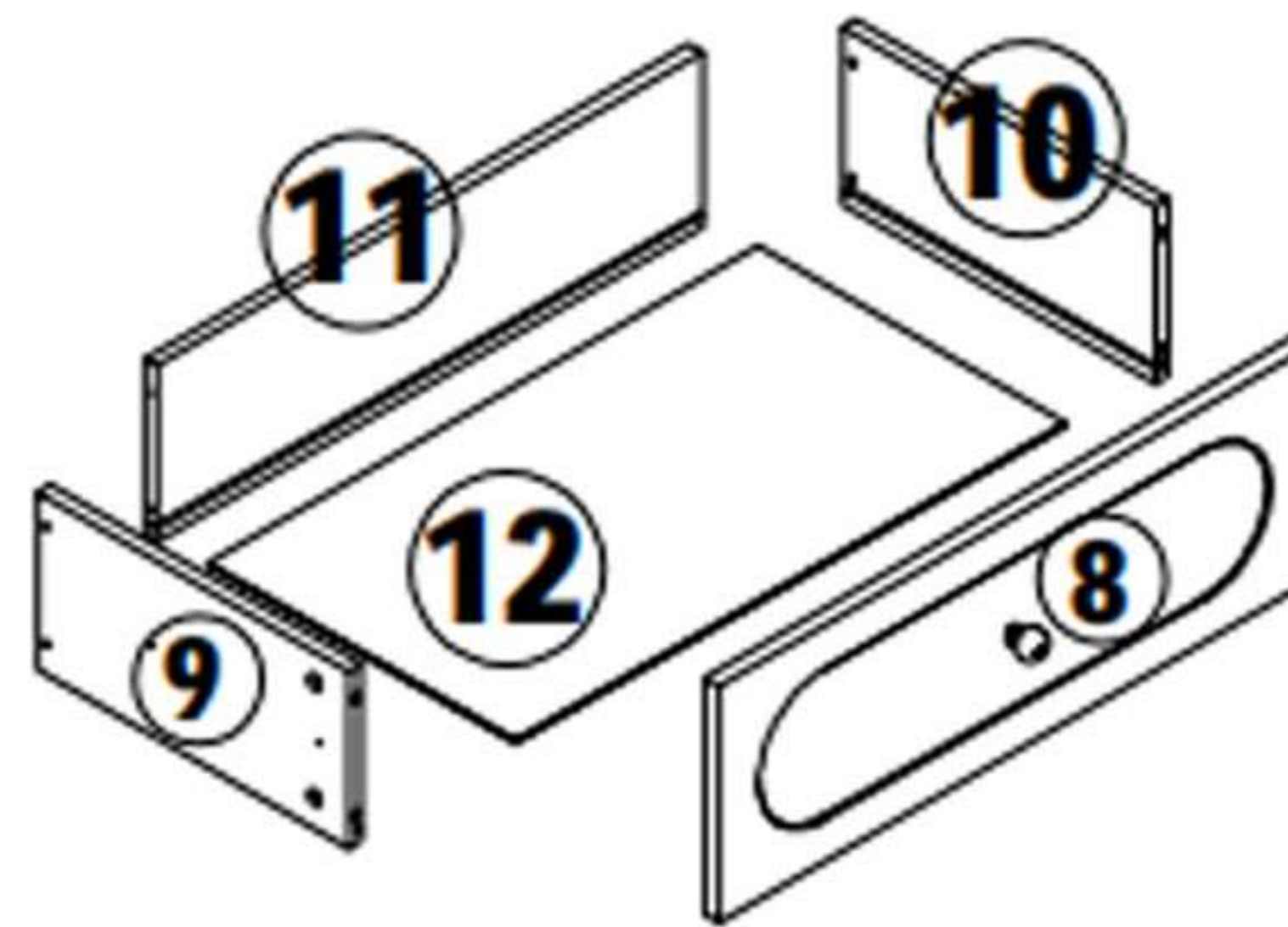
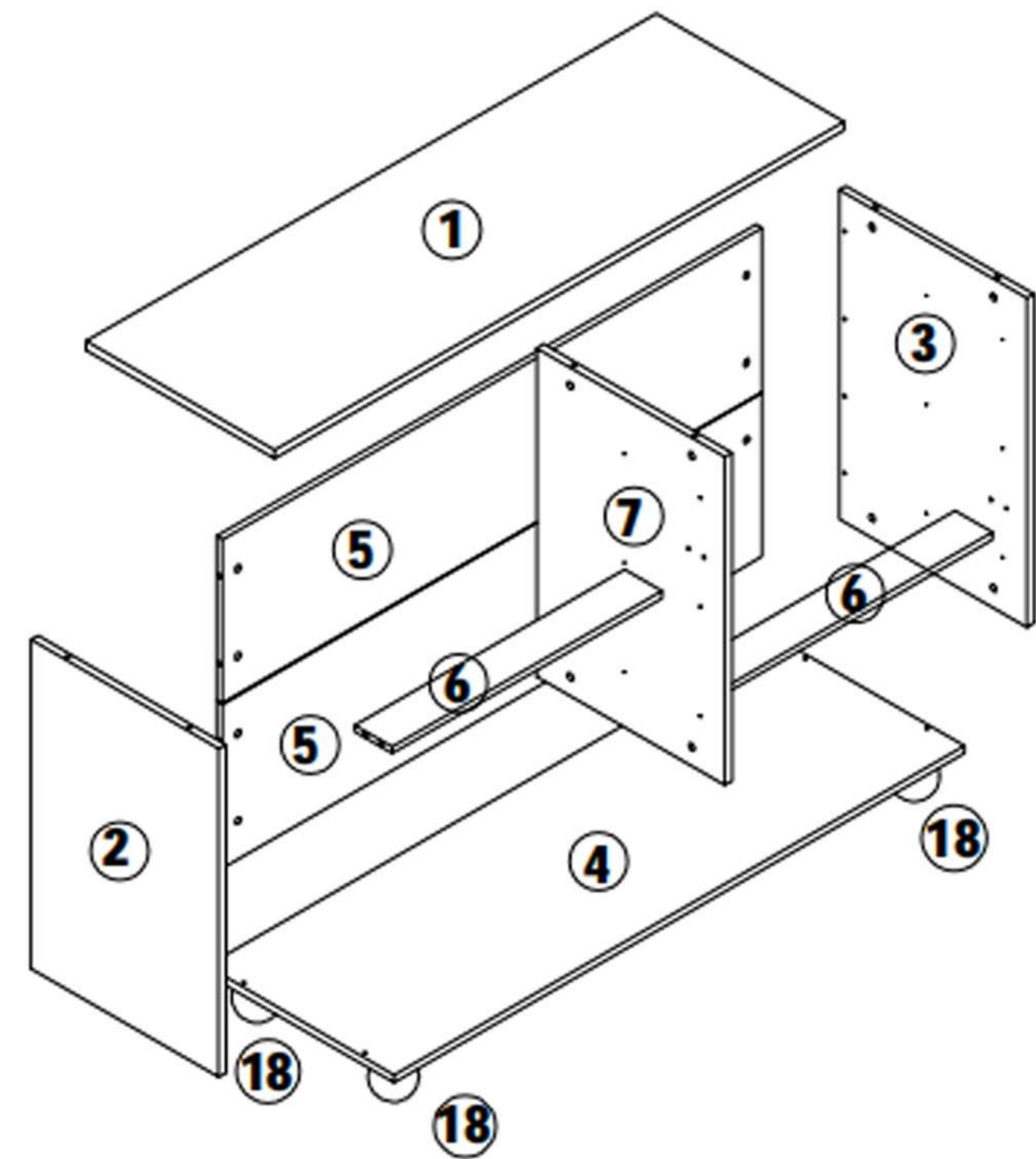


Scan the code to purchase ES001

Hardware List

	(A)	(B)	(C)	(D)	(E)	(F)	(I)
Name	3-in-1 Connector	Silent Drawer Slide	Self-Tapping Screw	Self-Tapping Screw	Handle Screw	Handle	Wood Thread Screw
Figure							
Specs	Φ12/L-40	10"	M3.5*12	M3.5*35	M4*18	-	Φ5*35

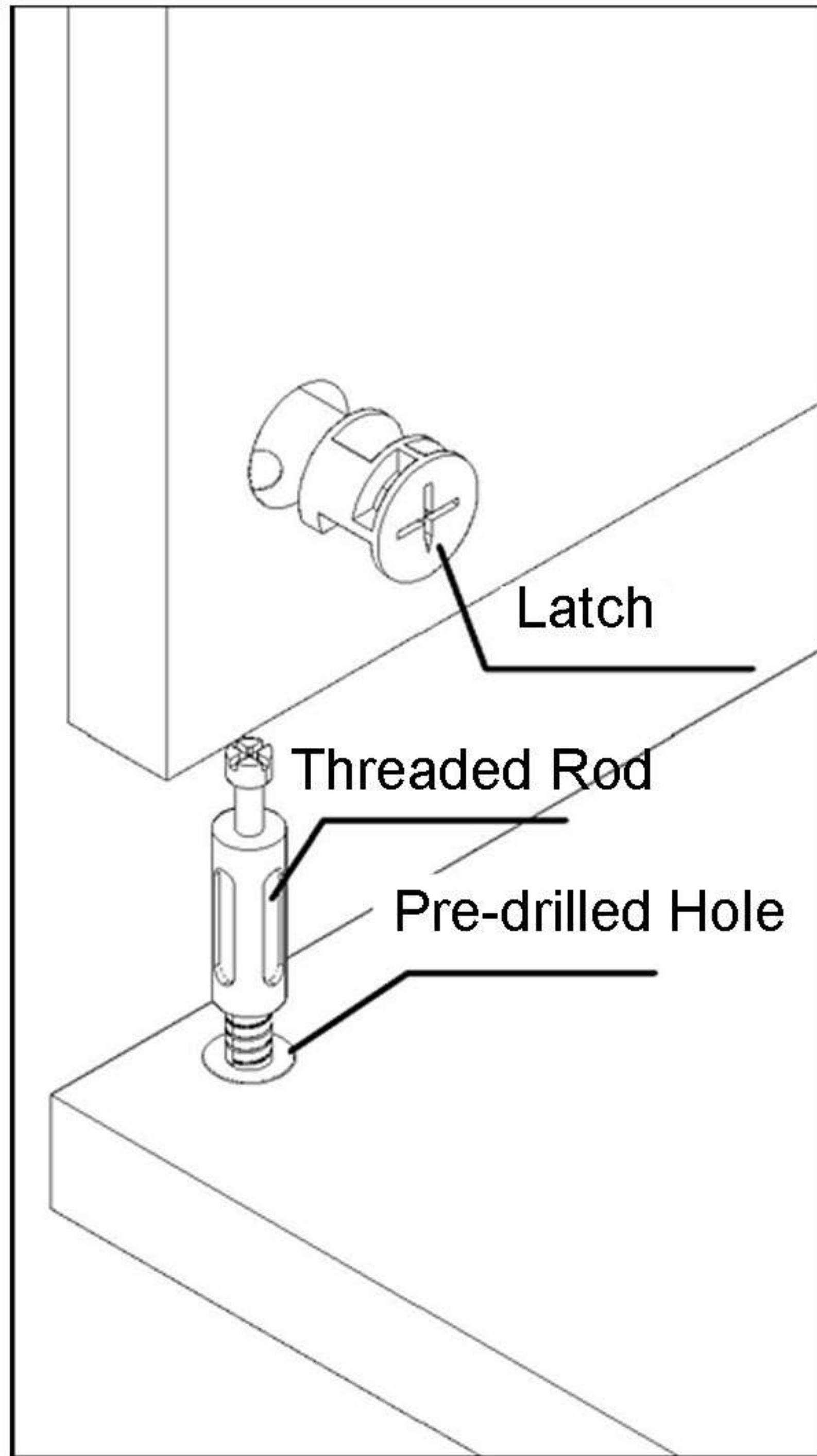
BoardMaterial List



- ① Top Panel (1 piece) ② Left Side Panel (1 piece) ③ Right Side Panel (1 piece) ④ Bottom Panel (1 piece) ⑤ Back Panel (2 pieces)
 ⑥ Pull Bar (2 pieces) ⑦ Center Panel (1 piece) ⑧ Left Drawer Fronts (3 pieces) ⑨ Left Drawer Sides (6 pieces) ⑩ Right
 Drawer Sides (6 pieces) ⑪ Drawer End (6 pieces) ⑫ Drawer Bottoms (6 pieces) ⑬ Right Drawer Fronts (3 pieces) ⑭ Feet (4 pieces)

Installation Guide: Threaded Rod, Latch, Pre-drilled Hole

A



1. Screw the Threaded Rod into the Pre-drilled Hole
2. Insert the installed Threaded Rod into the corresponding hole of the other piece. Press Latch into the hole. Note that the cross arrow corresponds to the insertion direction of the Threaded Rod.
3. Use a cross screwdriver to tighten Latch clockwise. Be careful not to use excessive force.

B (Sliding Rail) Installation Instructions

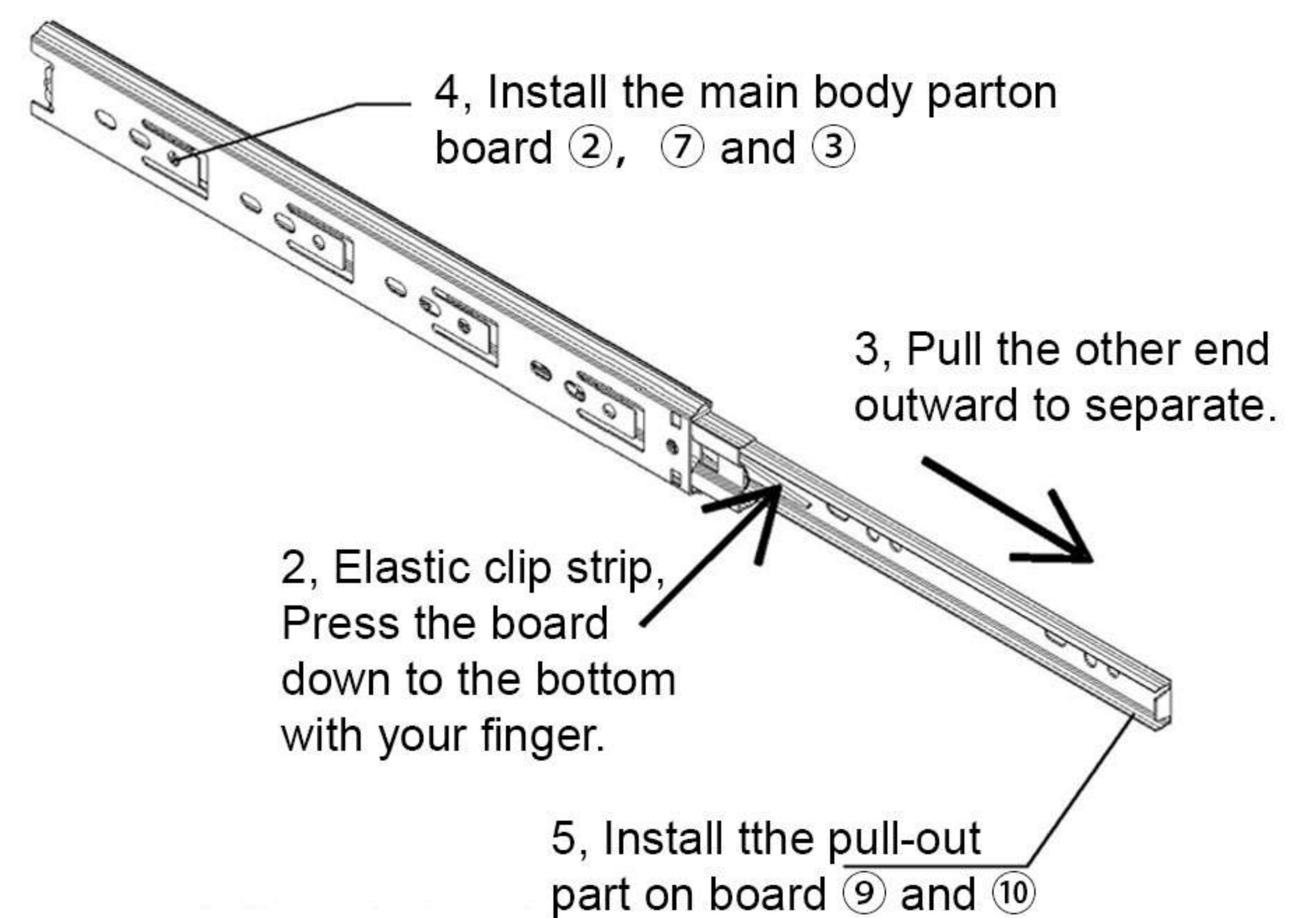
When installing **B**, use with screw **C**

1, Separate **B** (Sliding Rail)

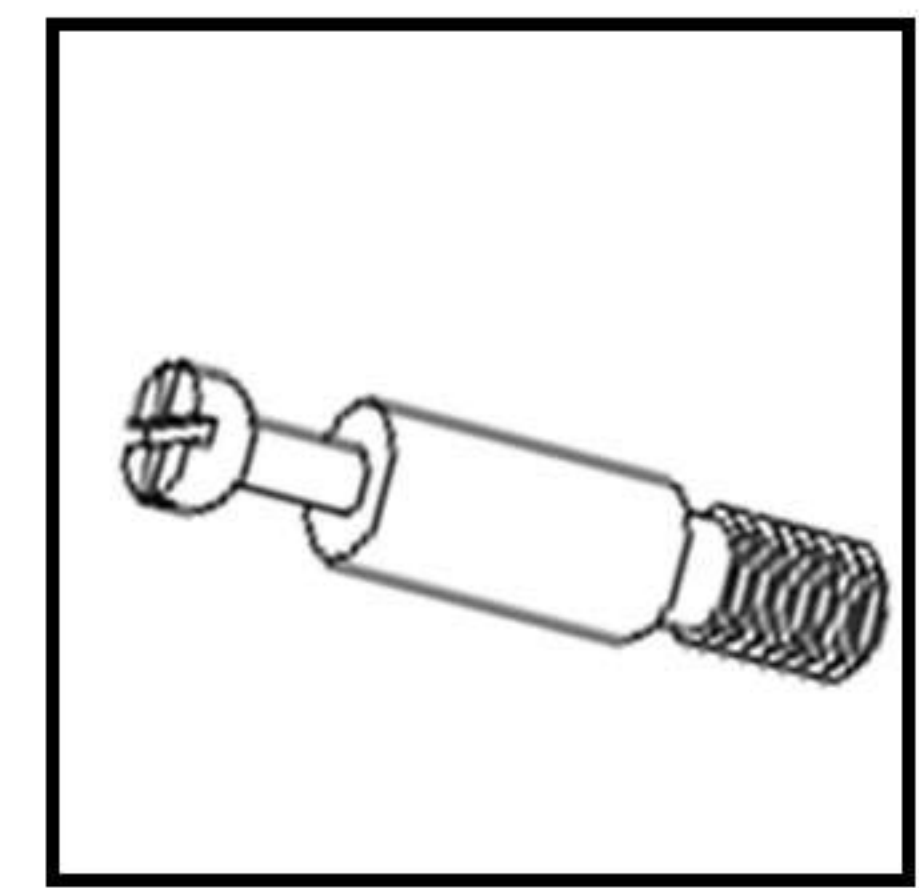


The main body part

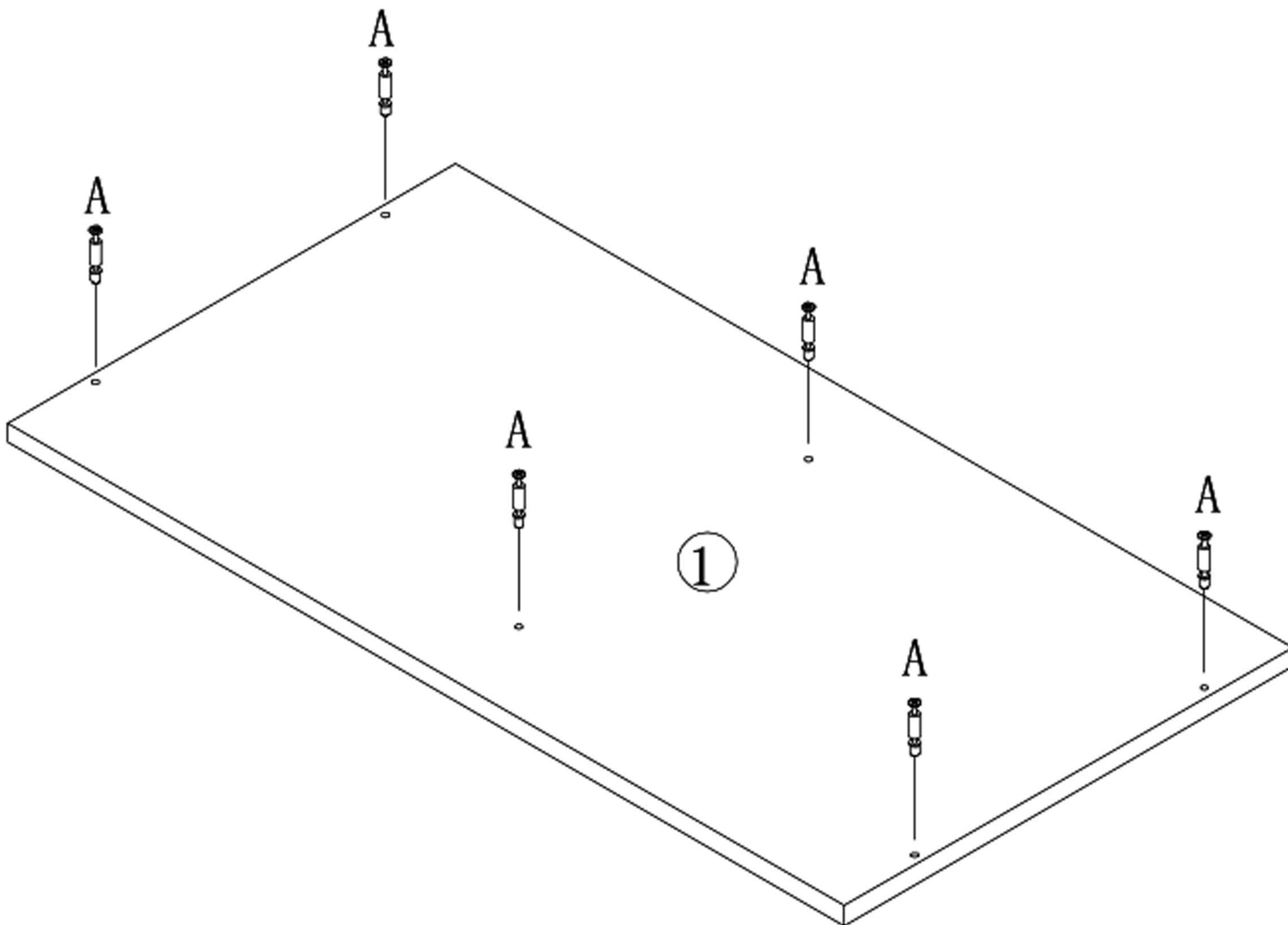
The pull-out part



Step 1:

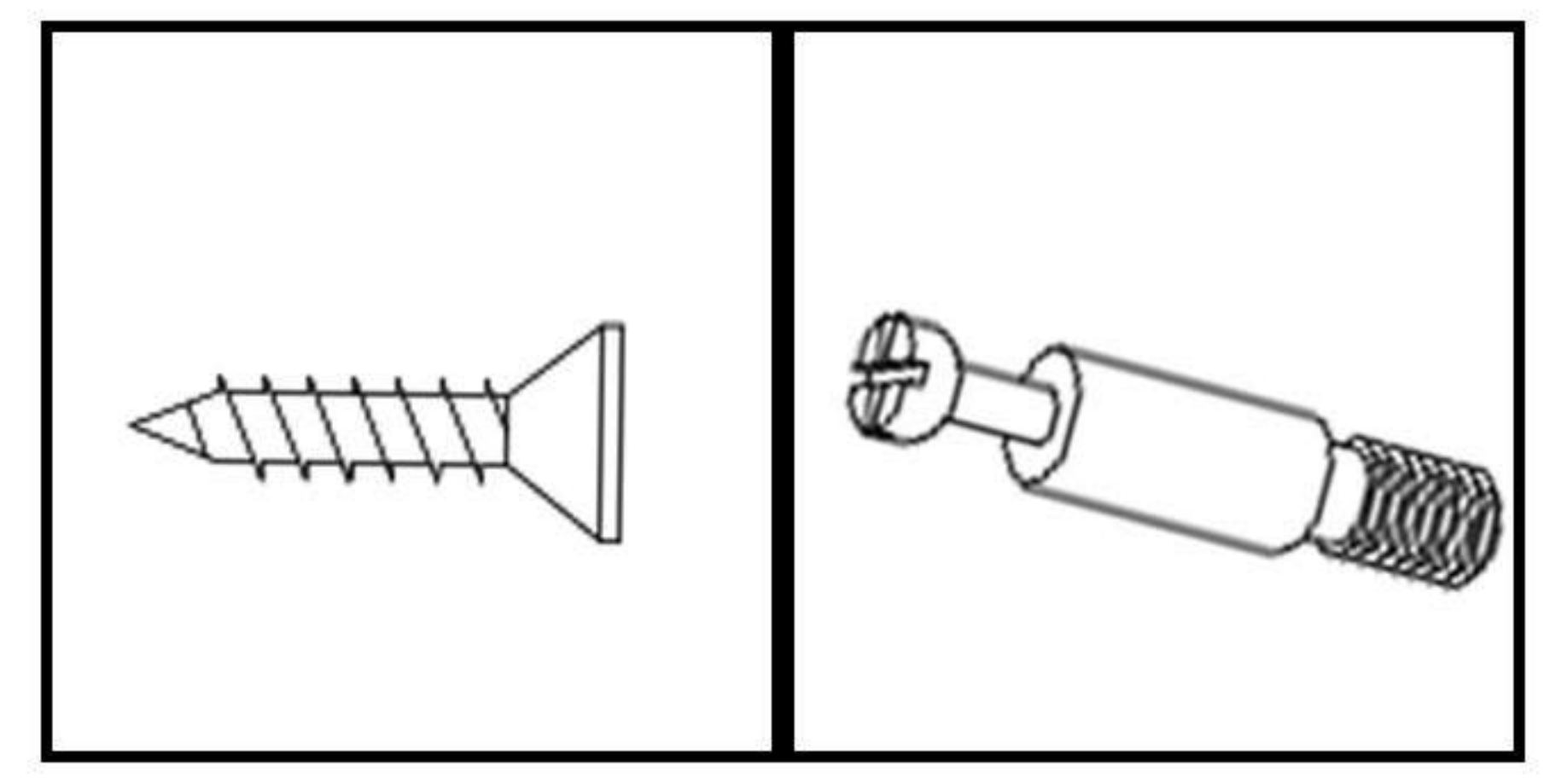


A



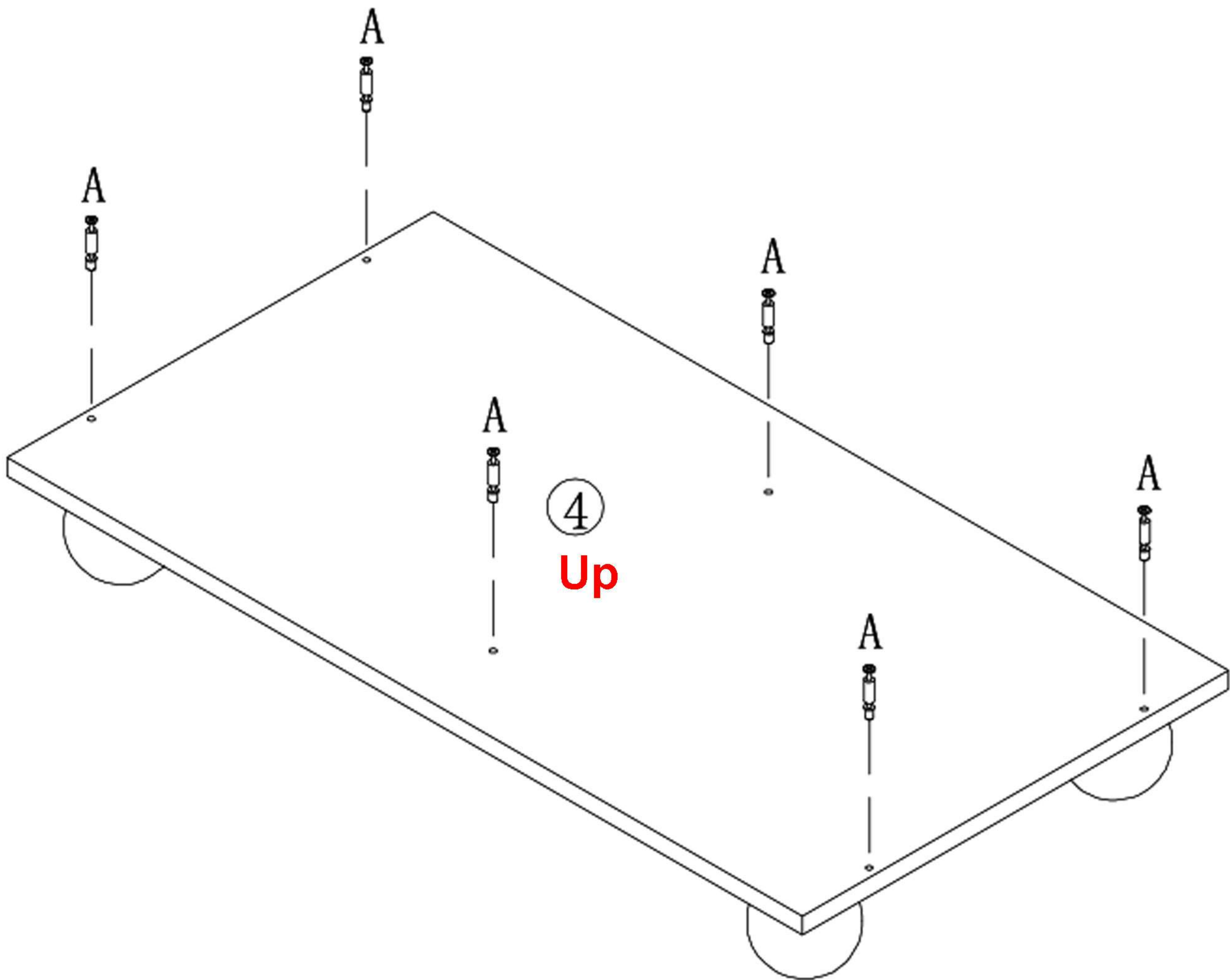
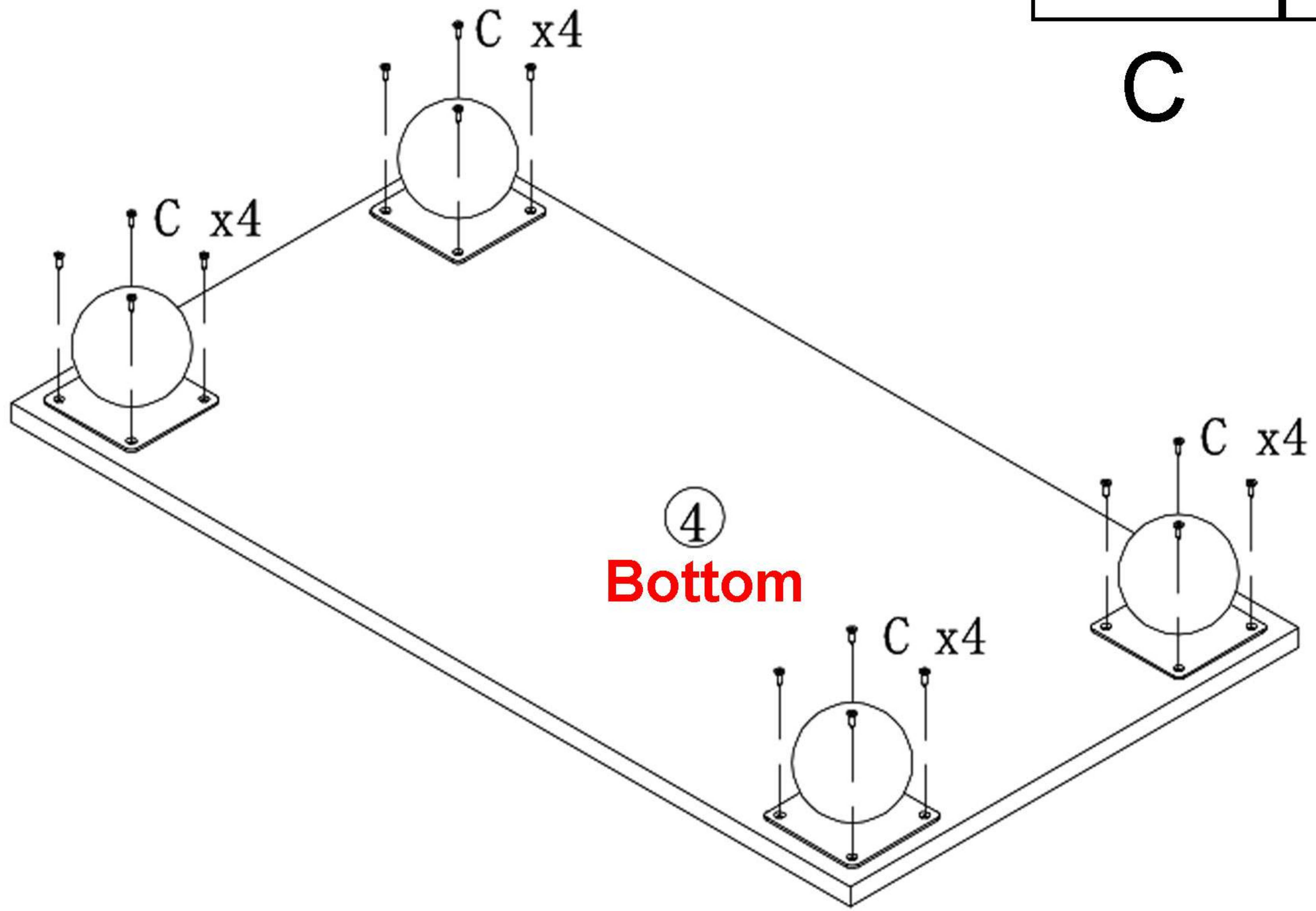
Install A (Threaded Rod)

Step 2:

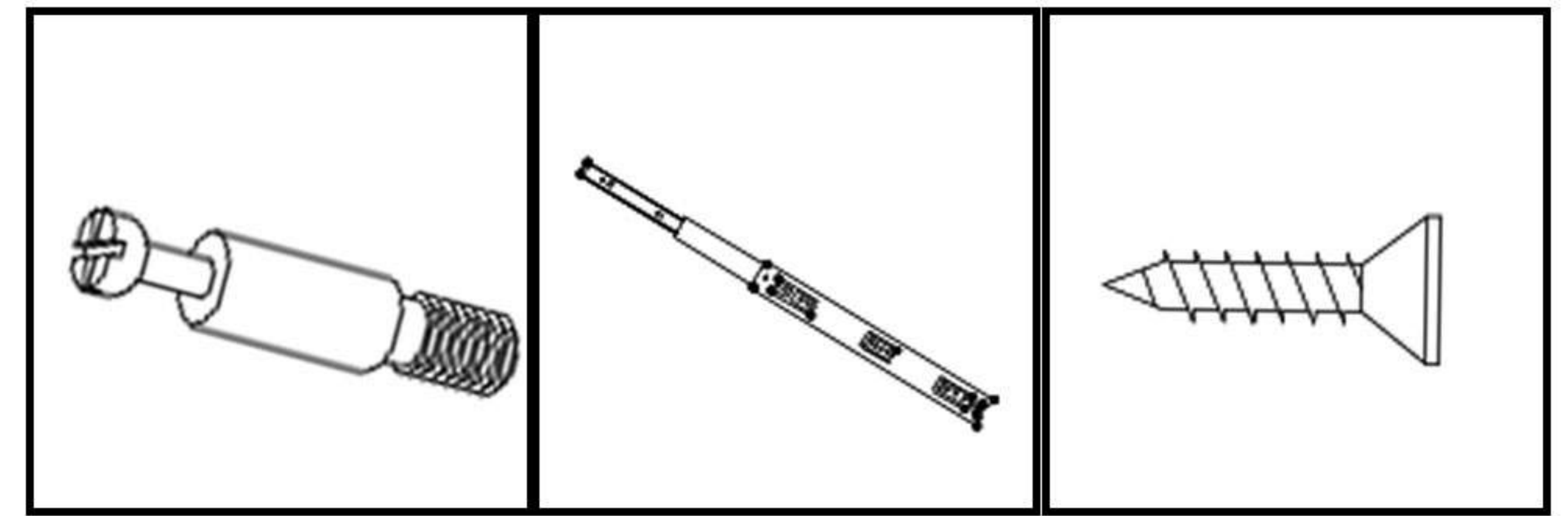


C

A



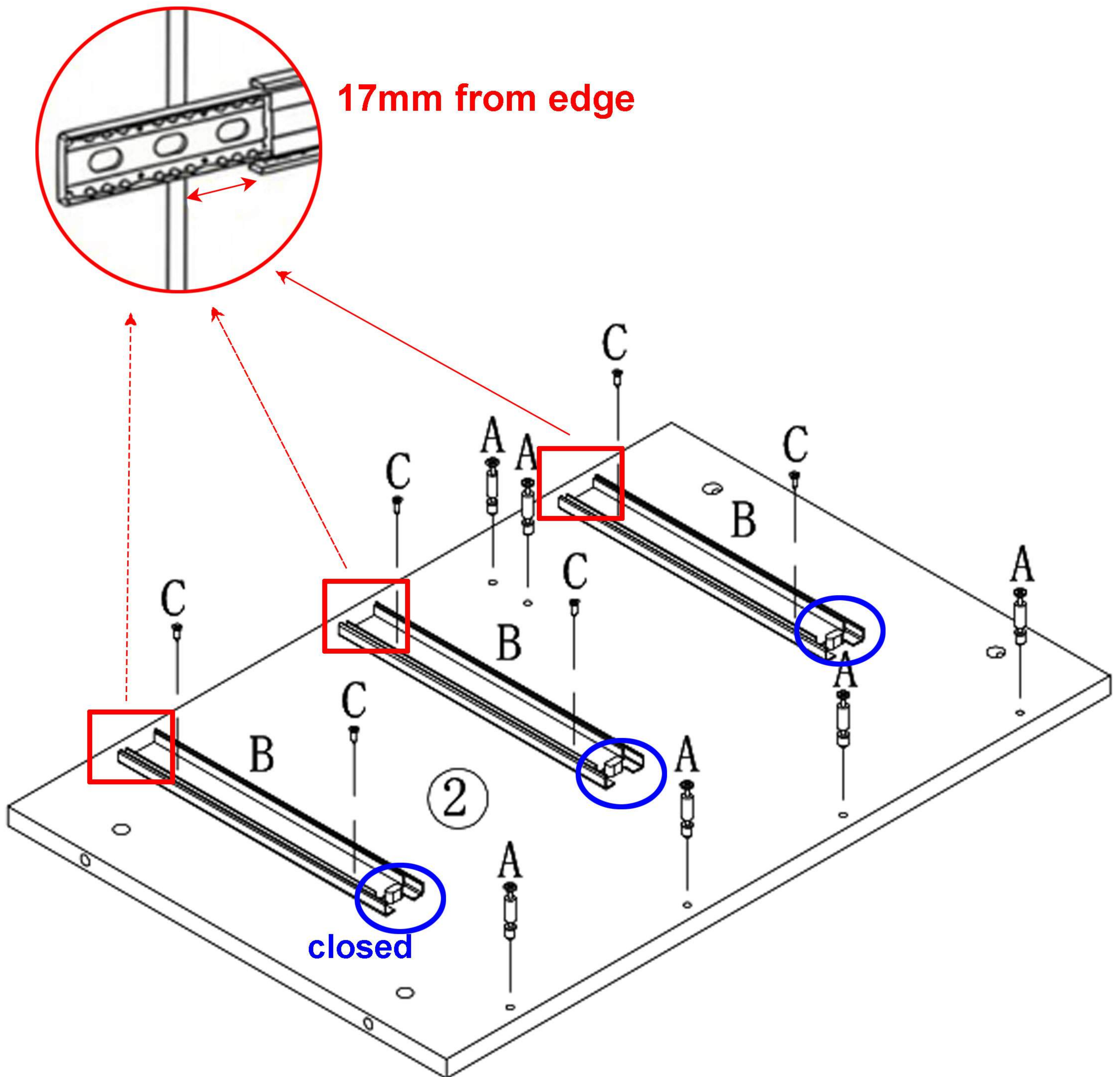
Step 3:



A

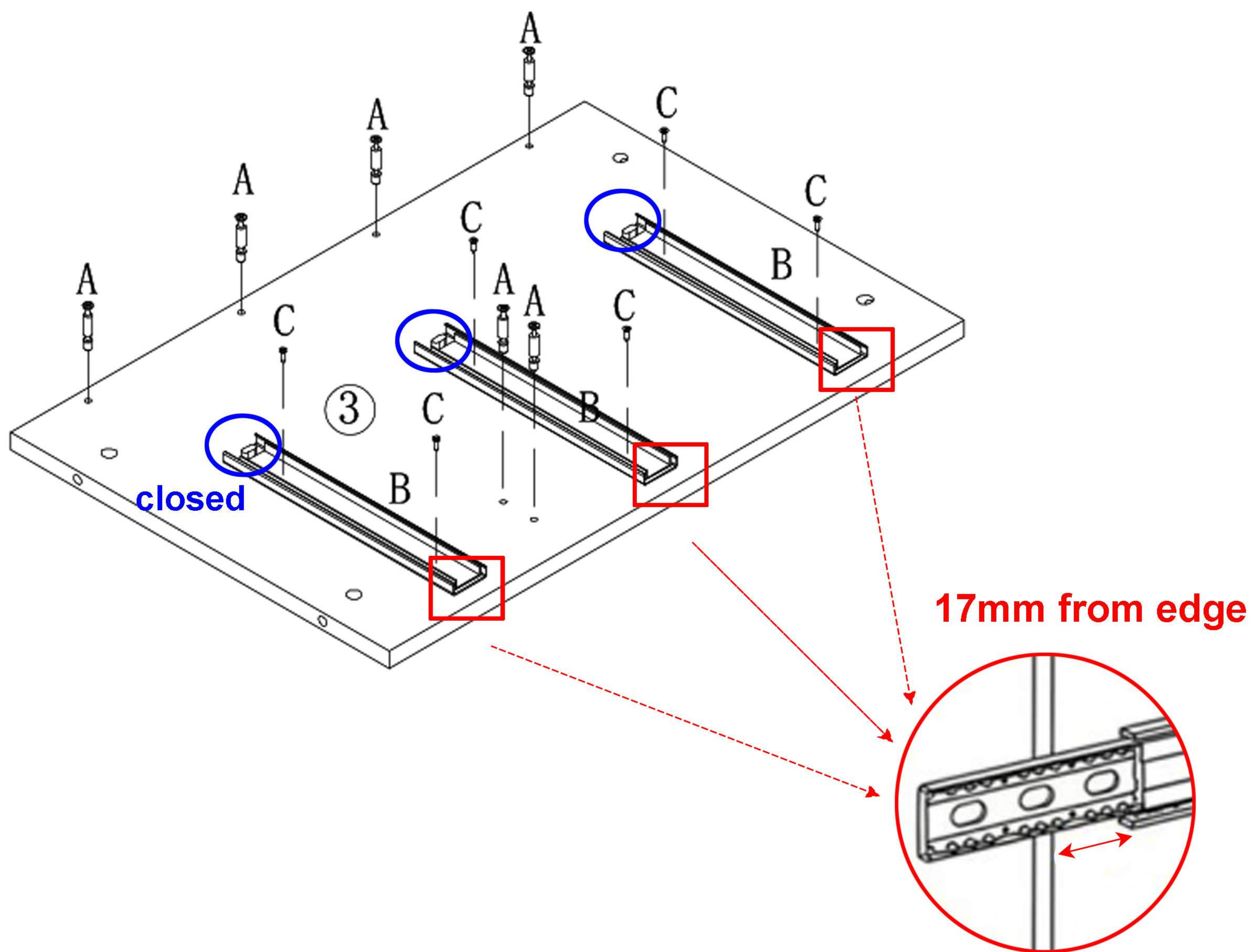
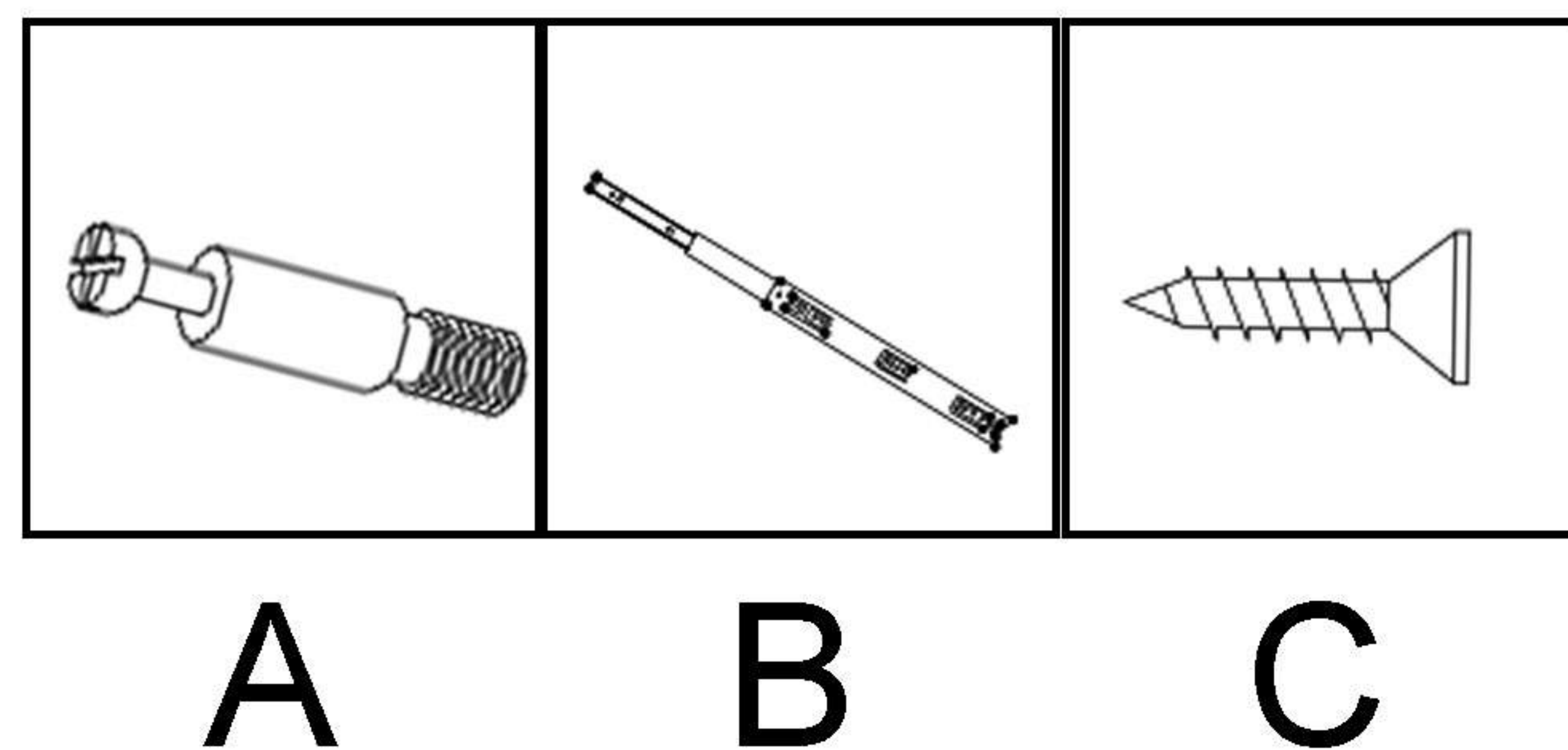
B

C



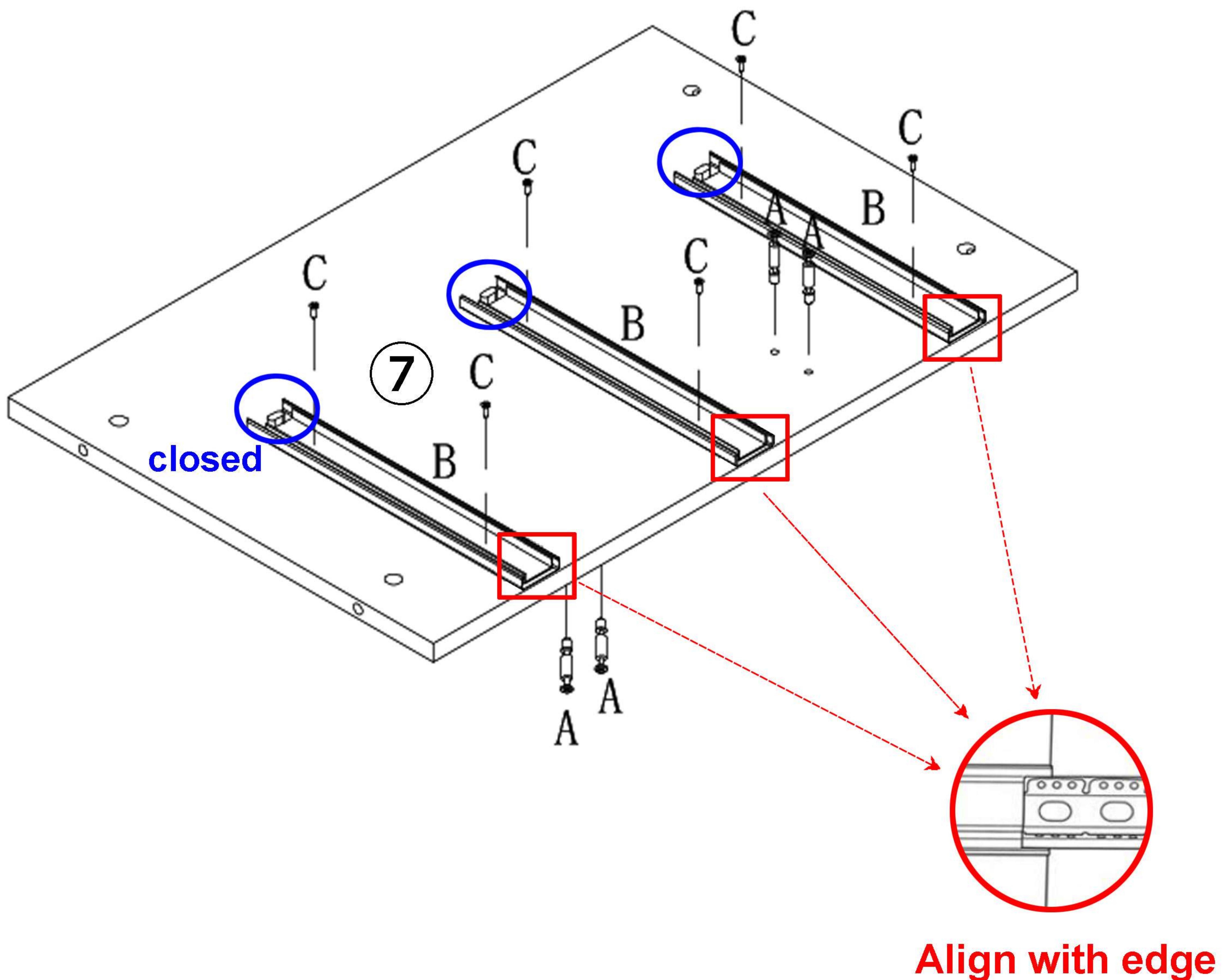
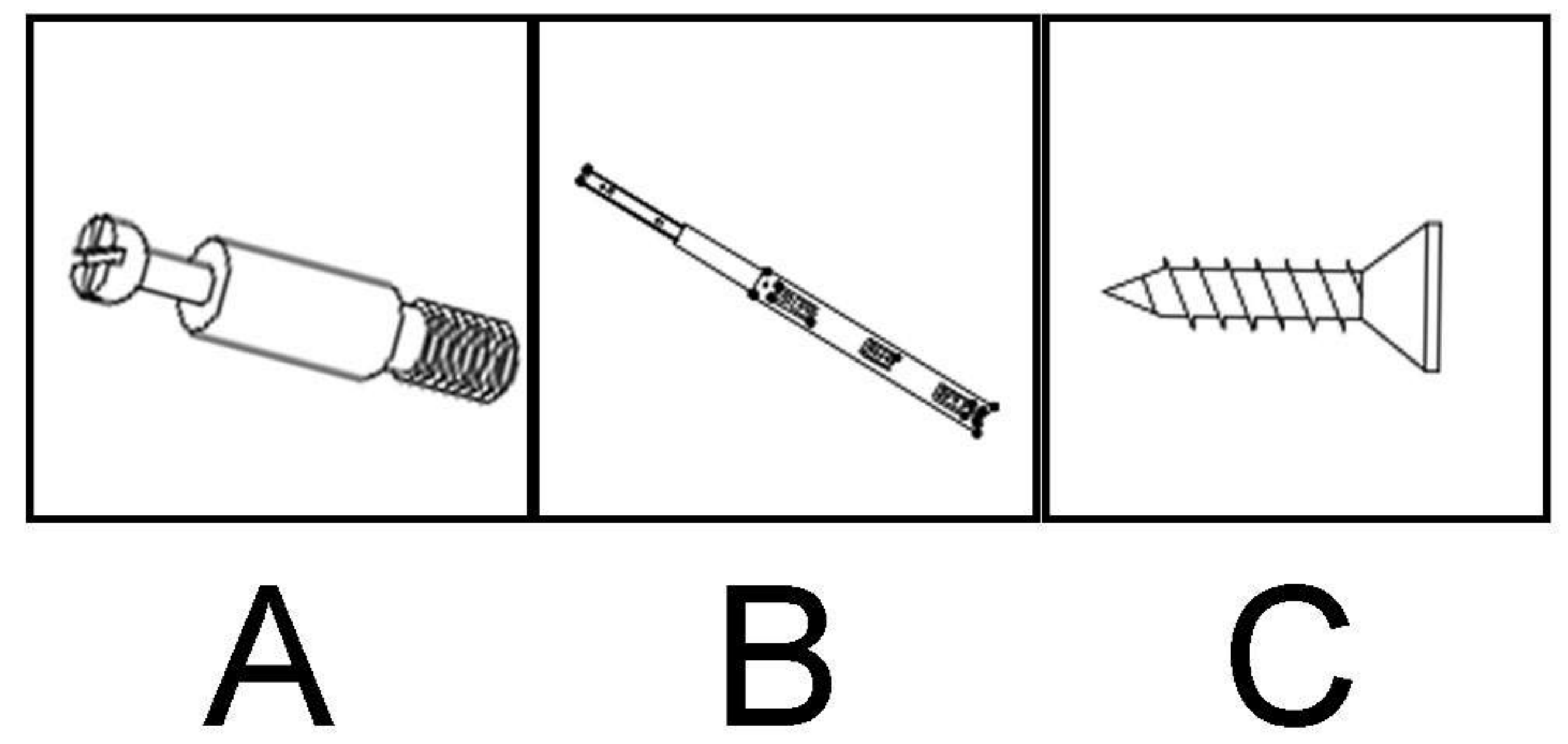
Install the main part of sliding rails on panel 2, and install A into pre-installed holes as shown.

Step 4:



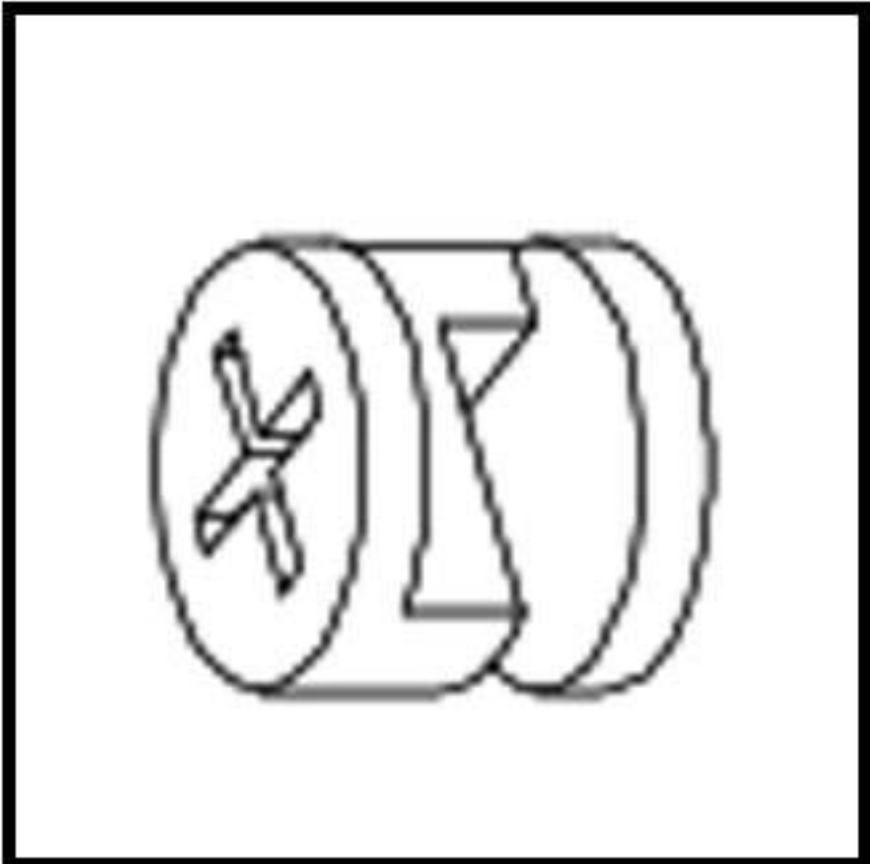
Install the main part of sliding rails on panel 3, and install A into pre-installed holes as shown.

Step 5:

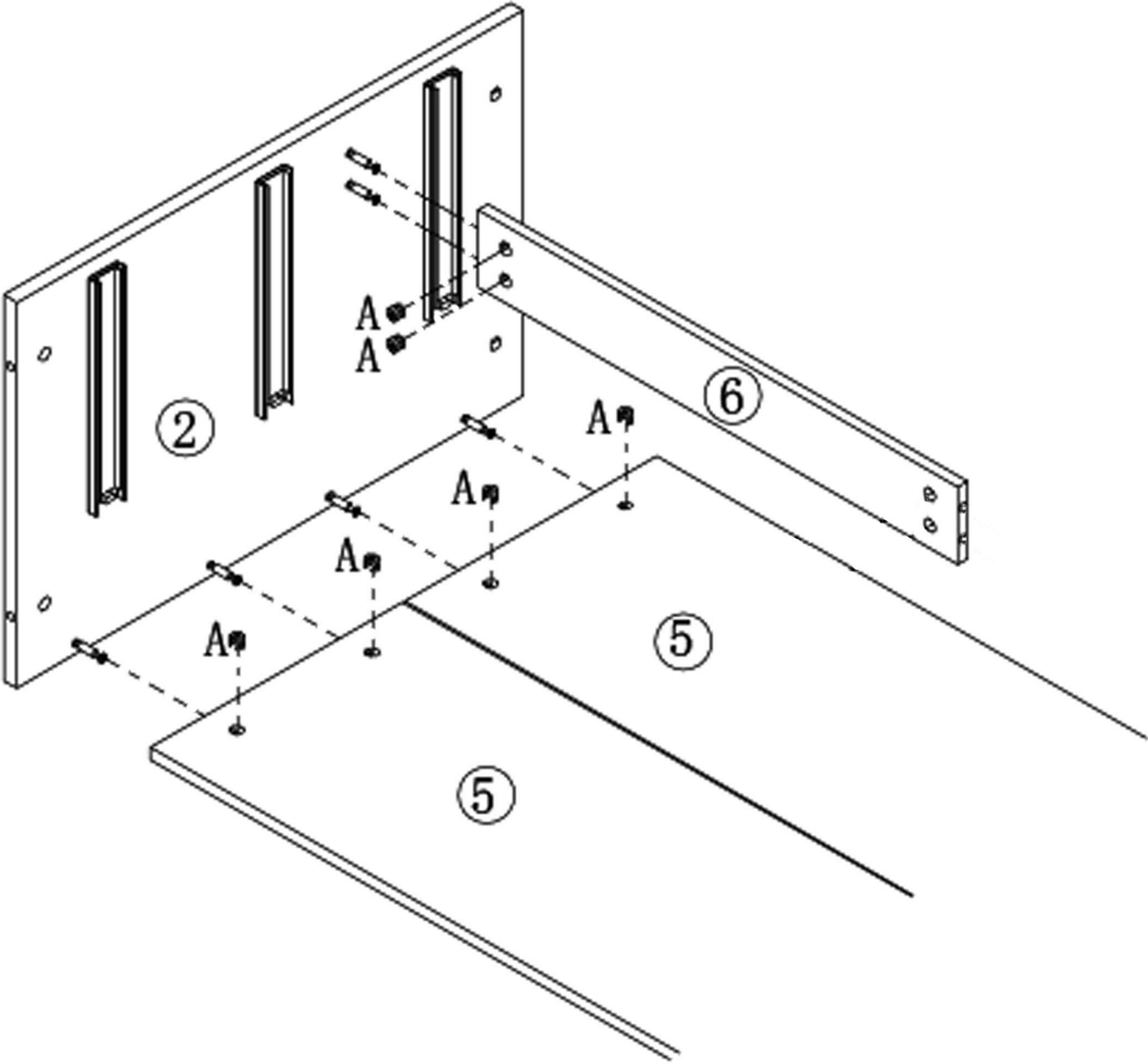


Install the main part of sliding rails on the both sides of panel 7, and install A into pre-installed holes as shown.

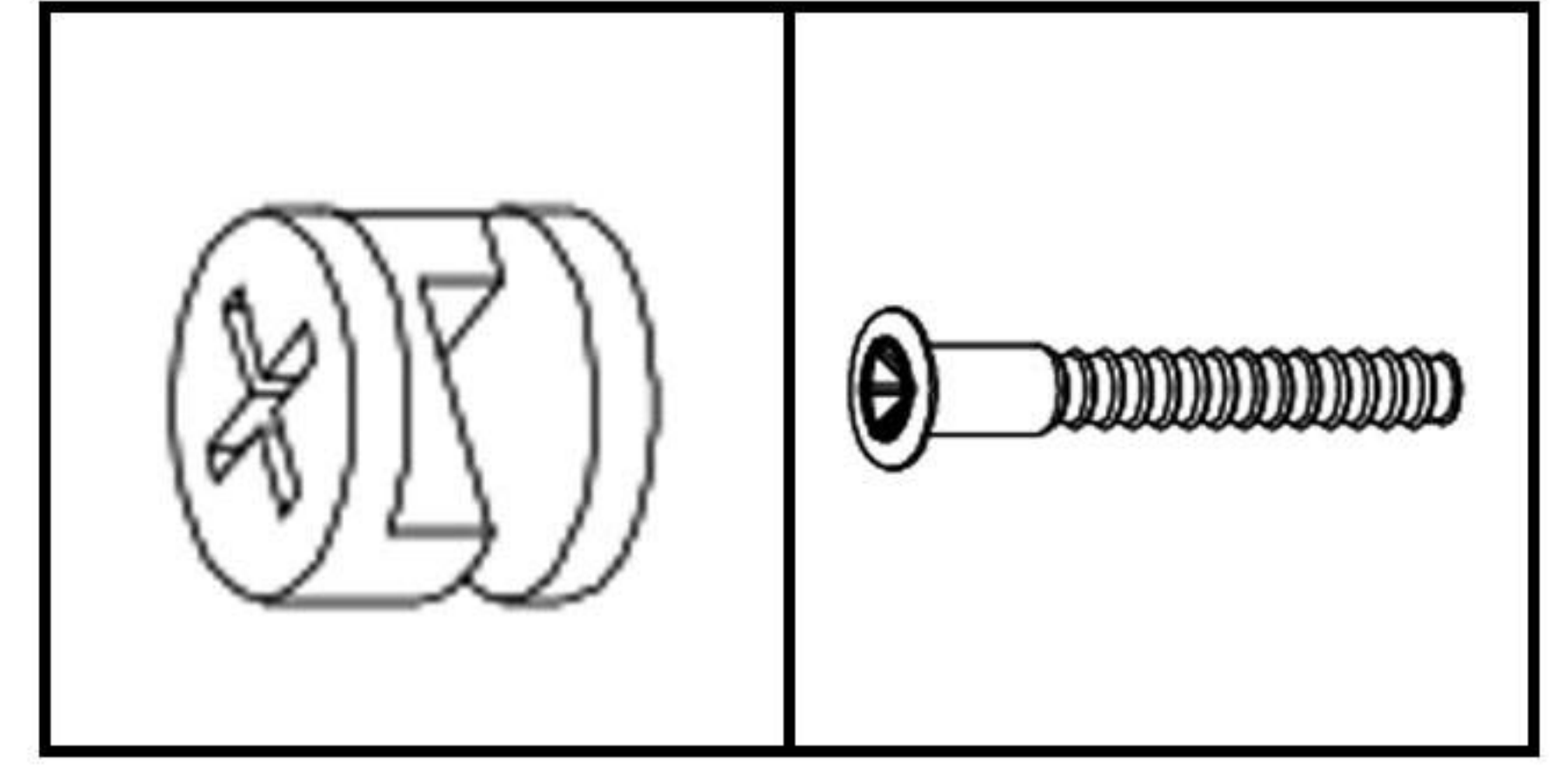
Step 6:



A

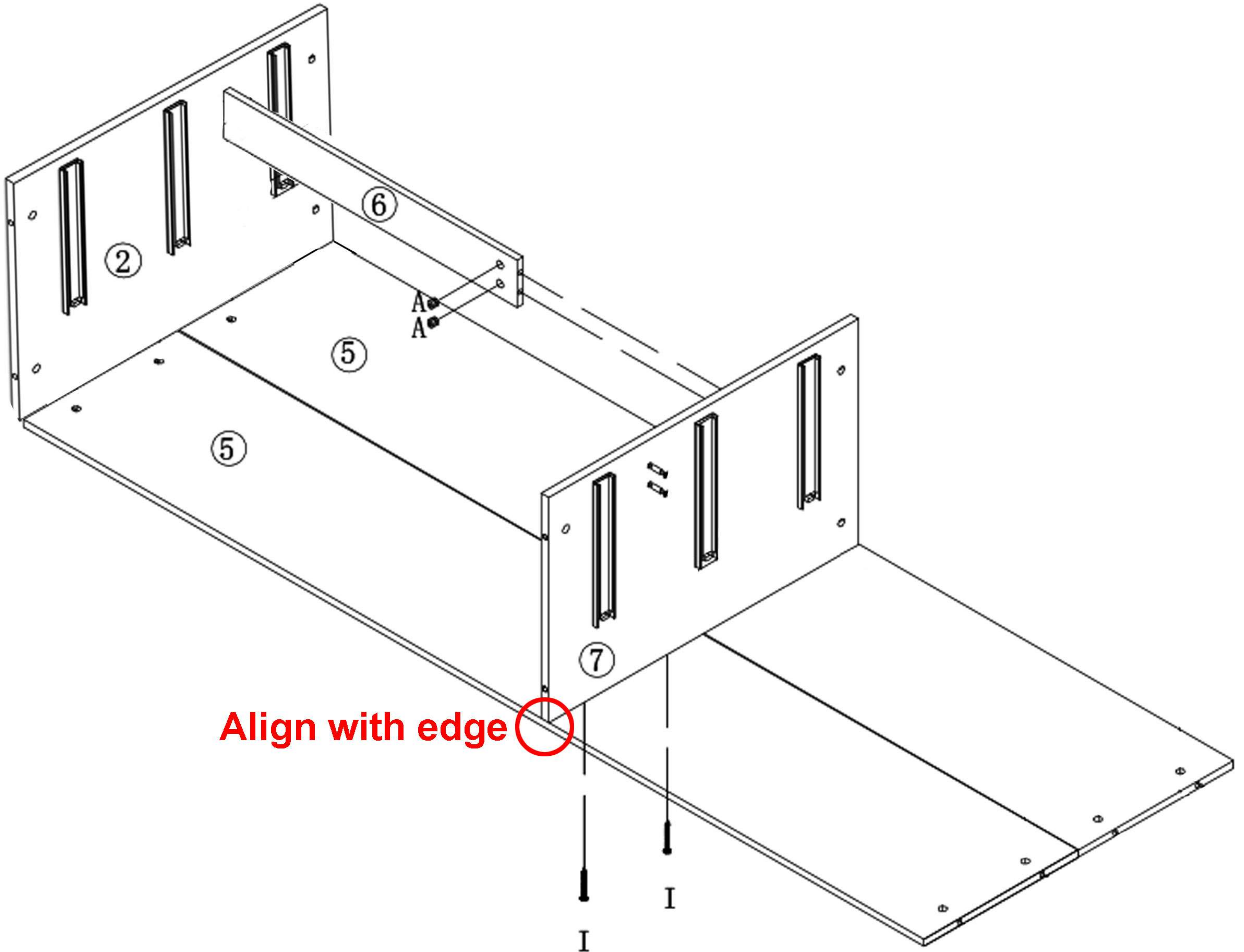


Step 7:



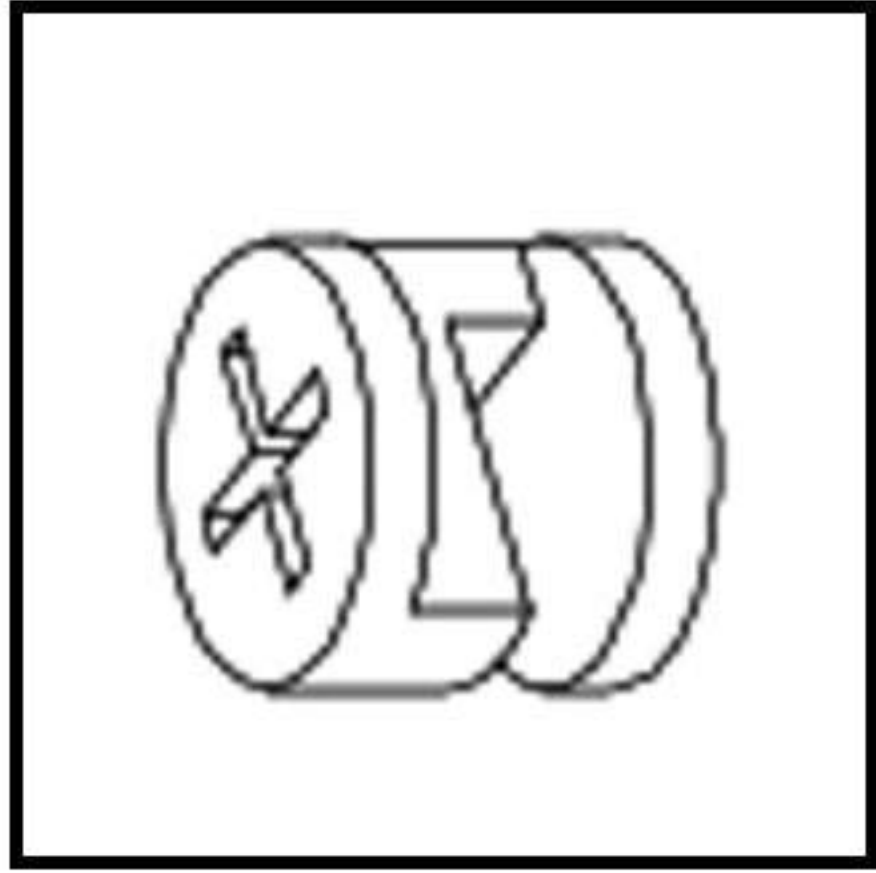
A

I

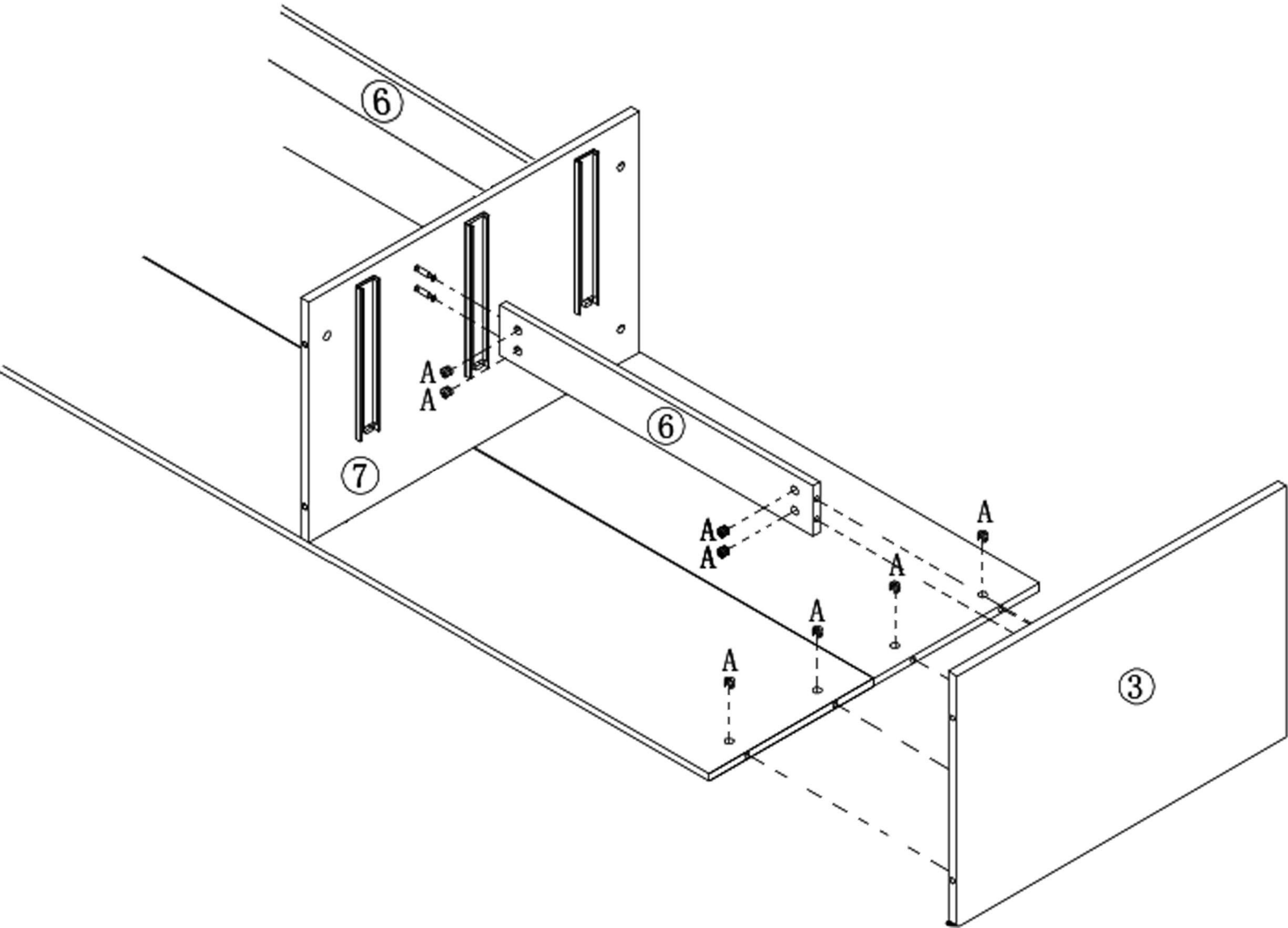


Align with edge

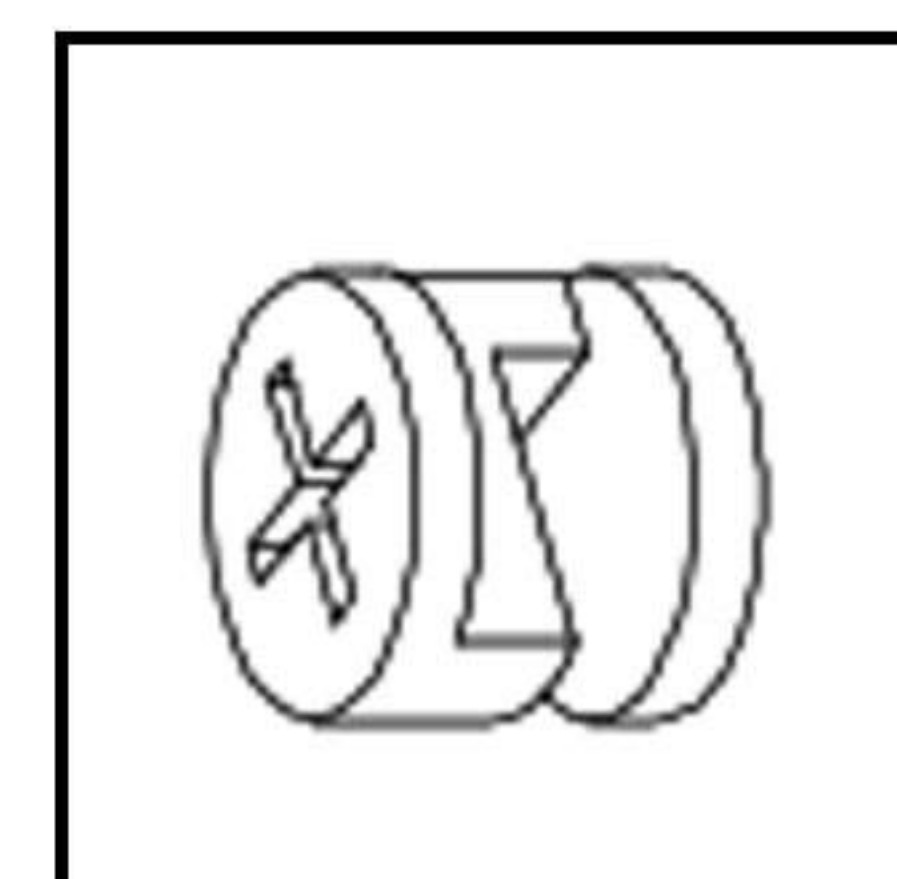
Step 8:



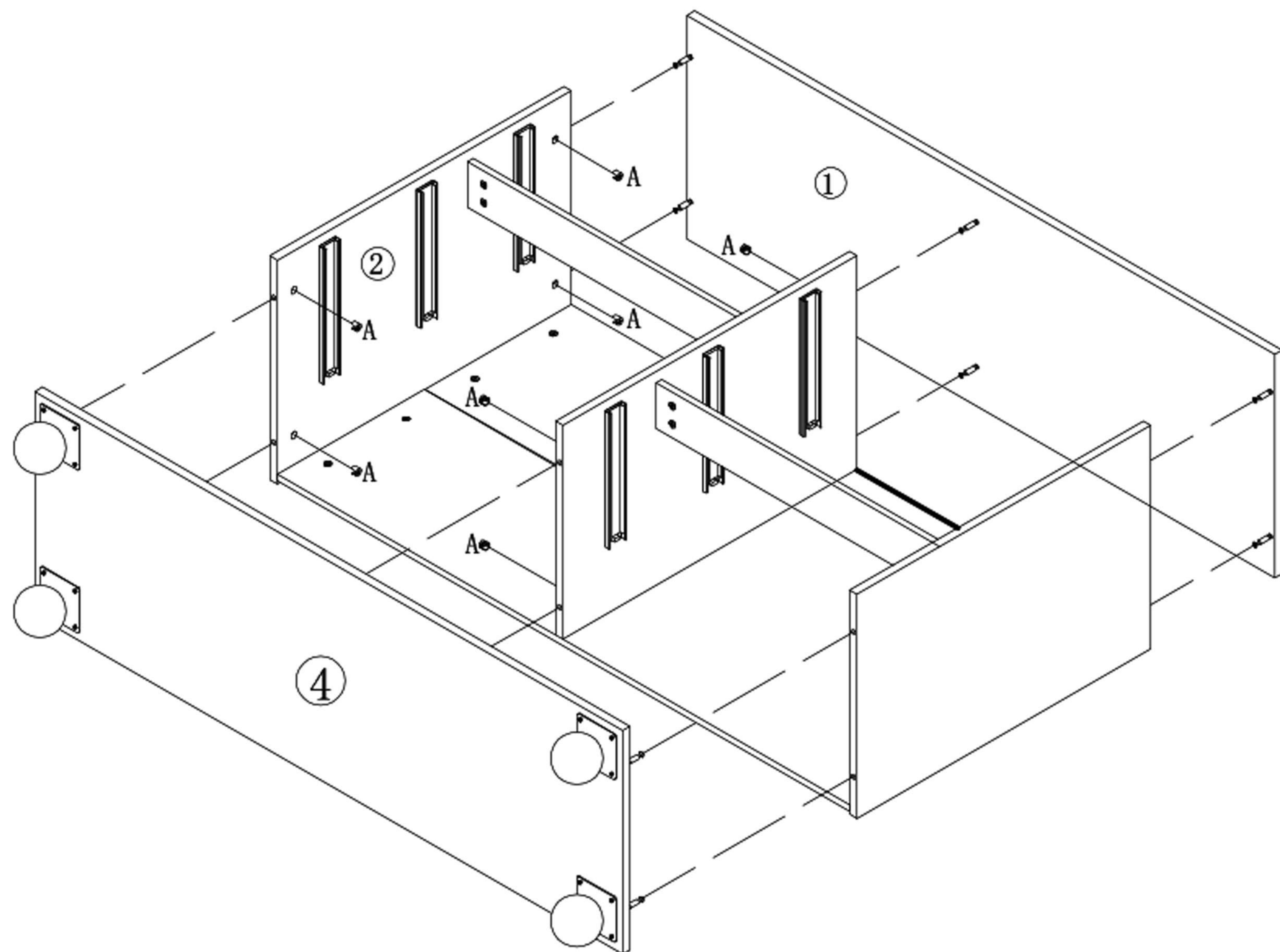
A



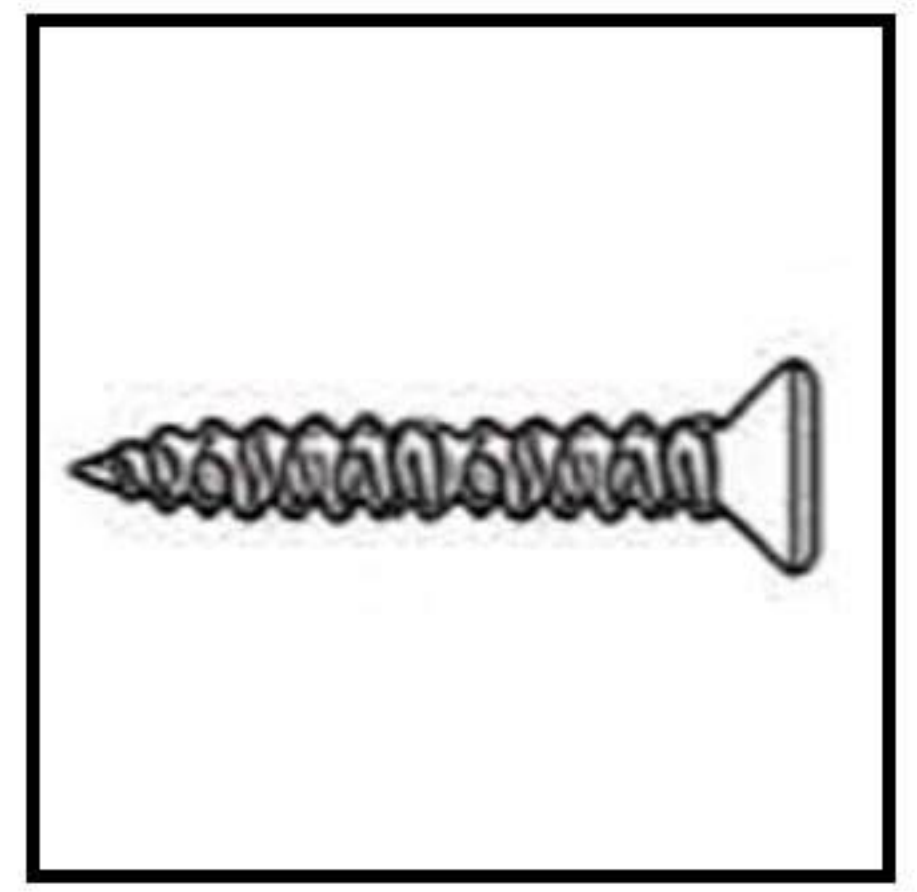
Step 9:



A

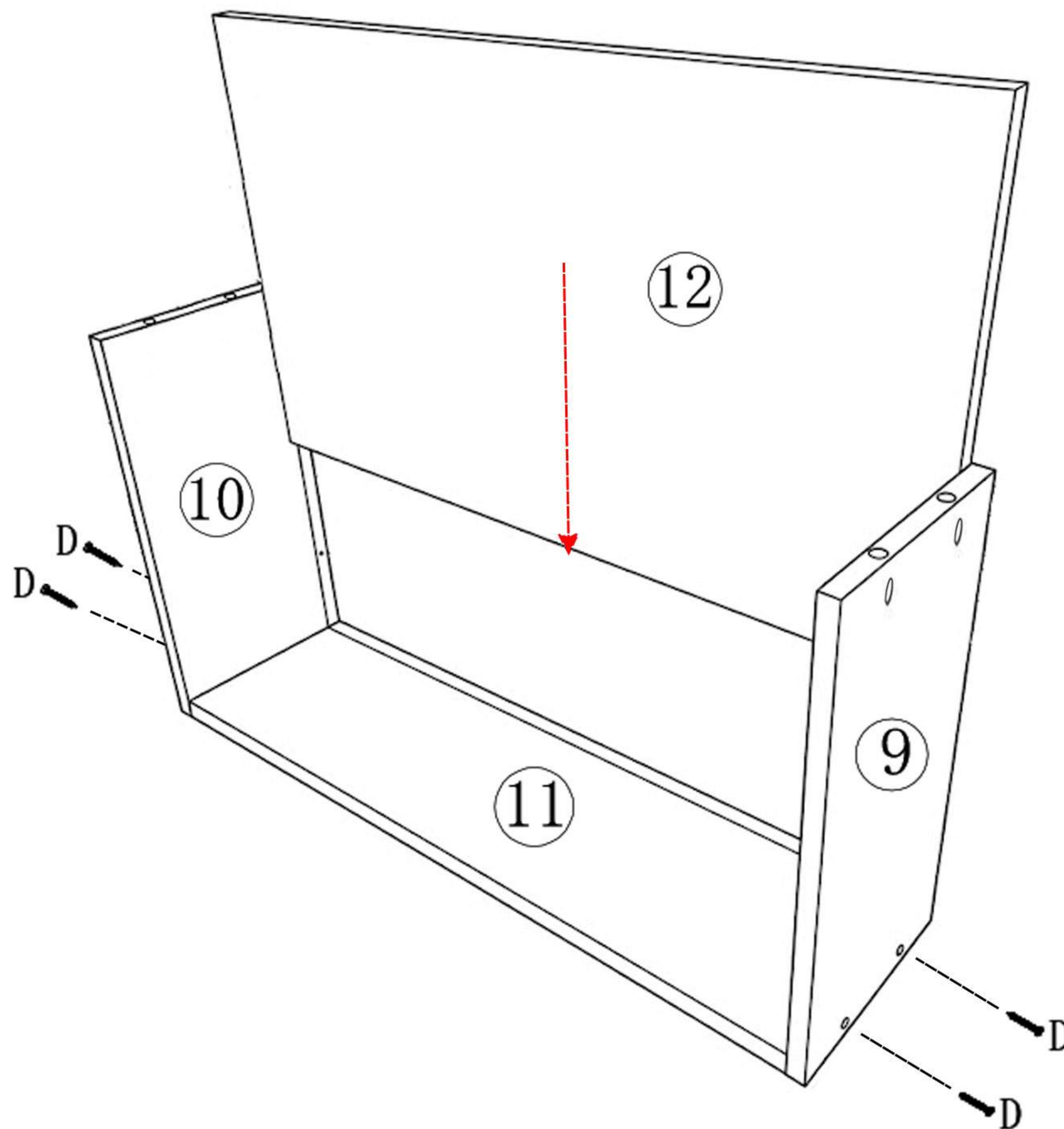
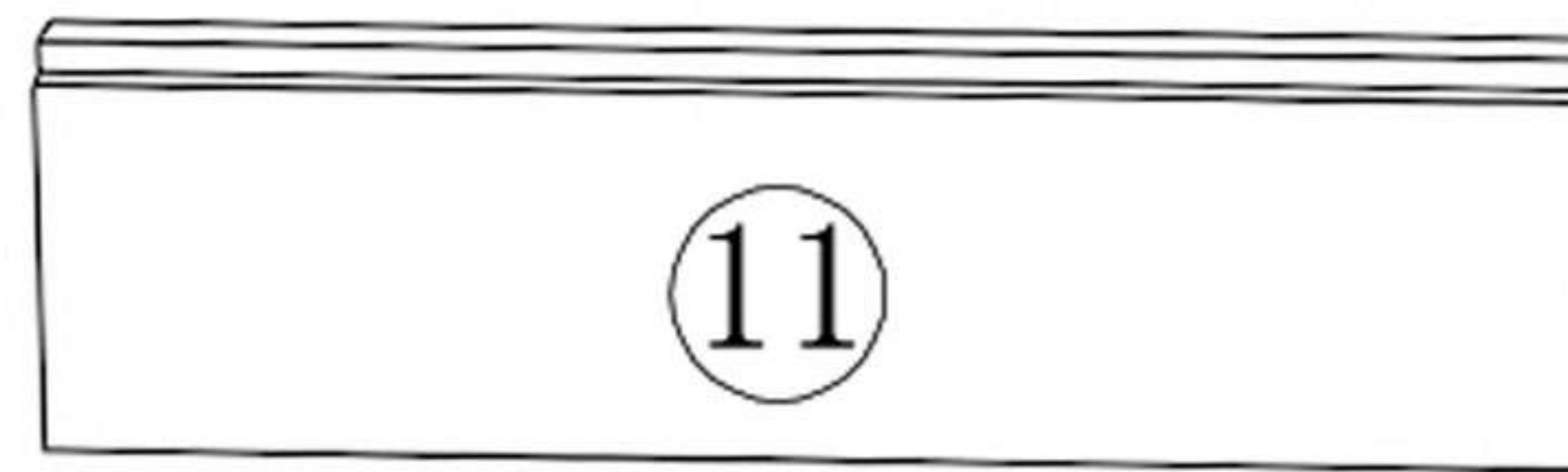
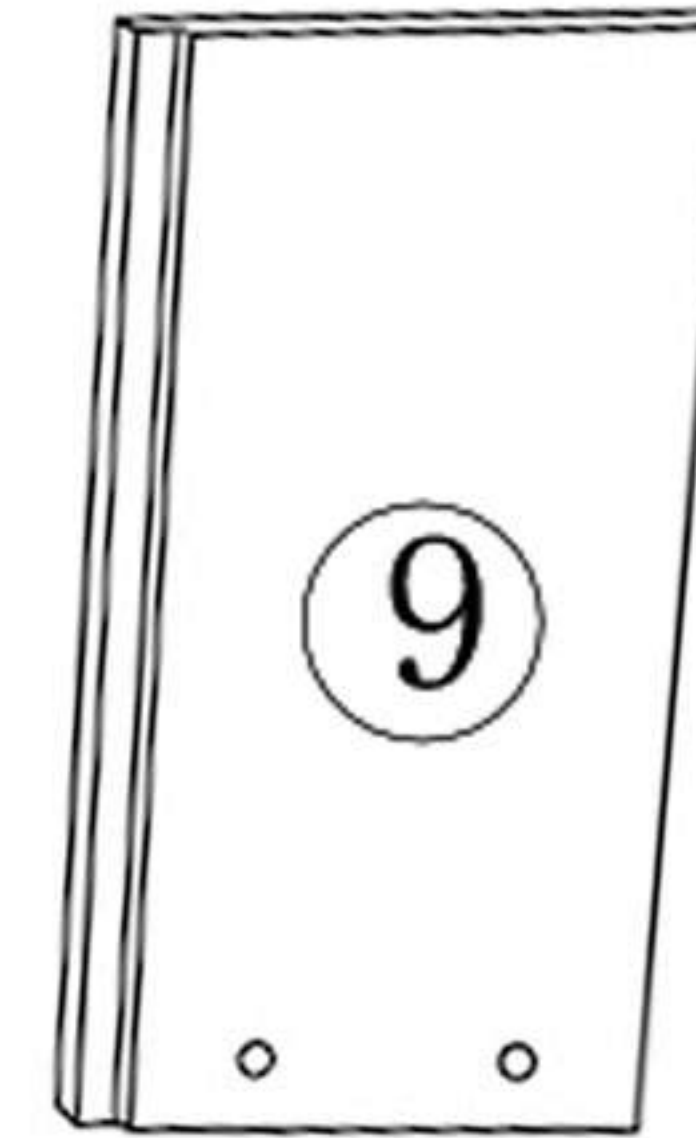
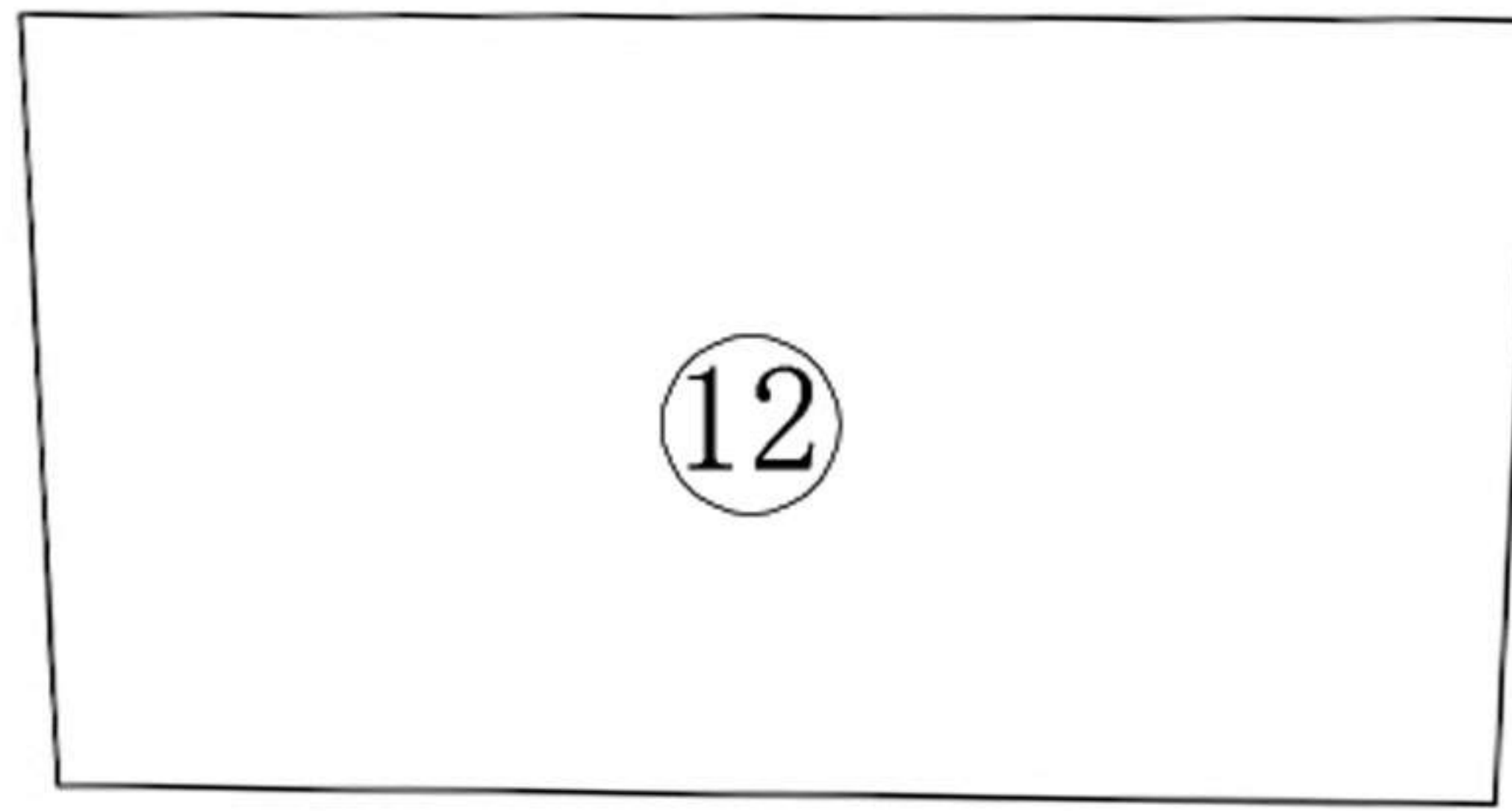
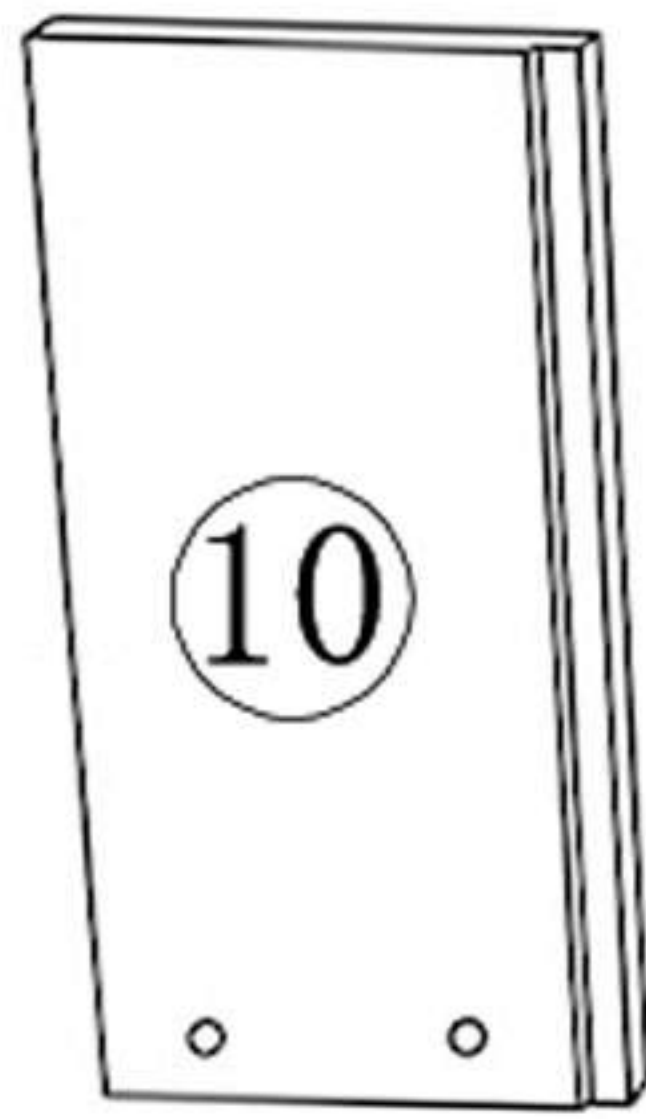
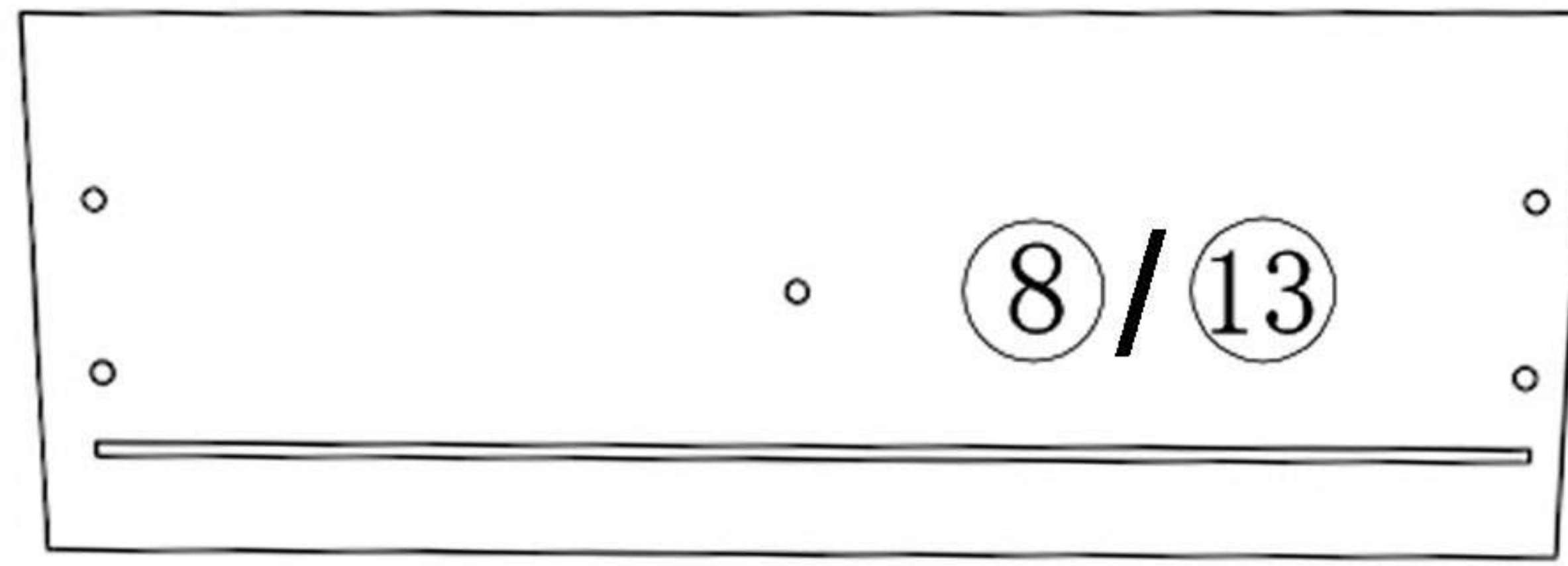


Step 10:

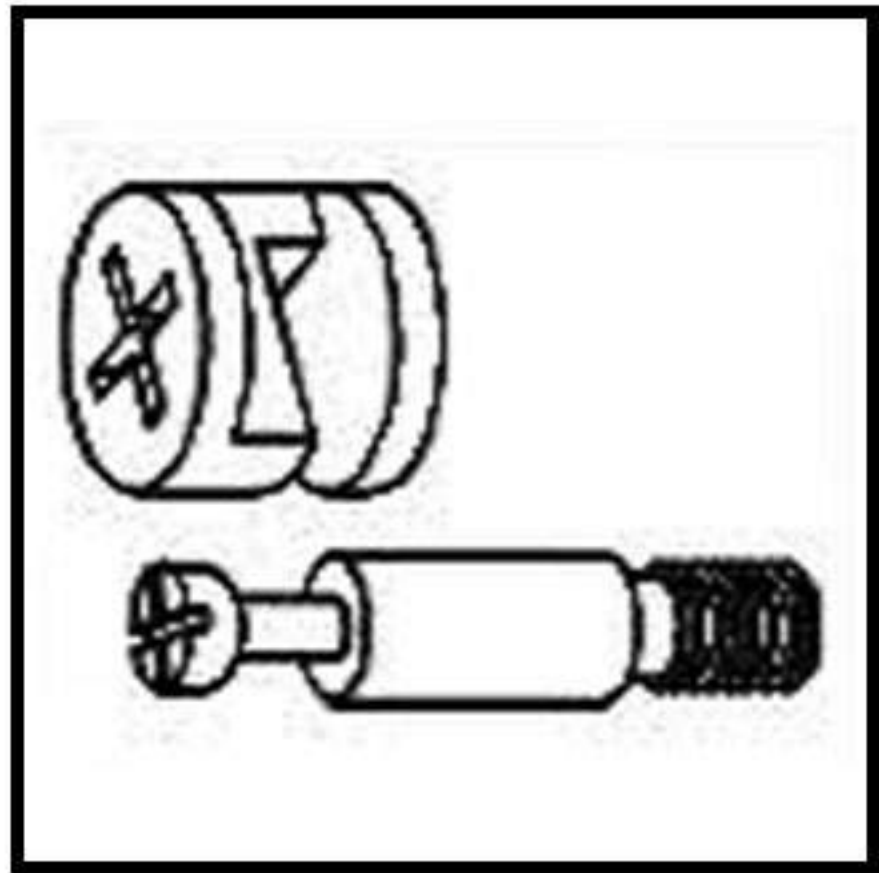


D

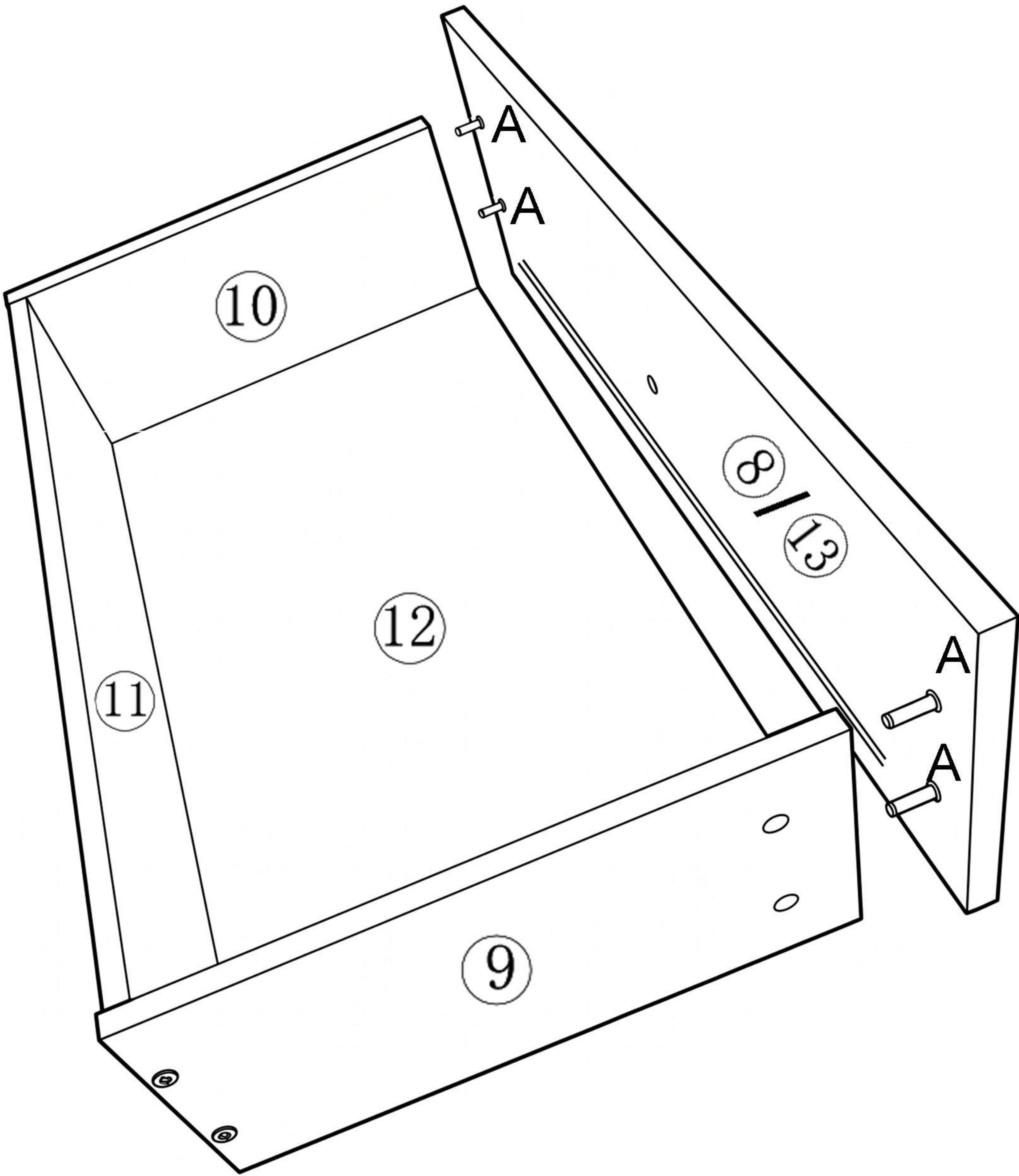
Drawer Panels



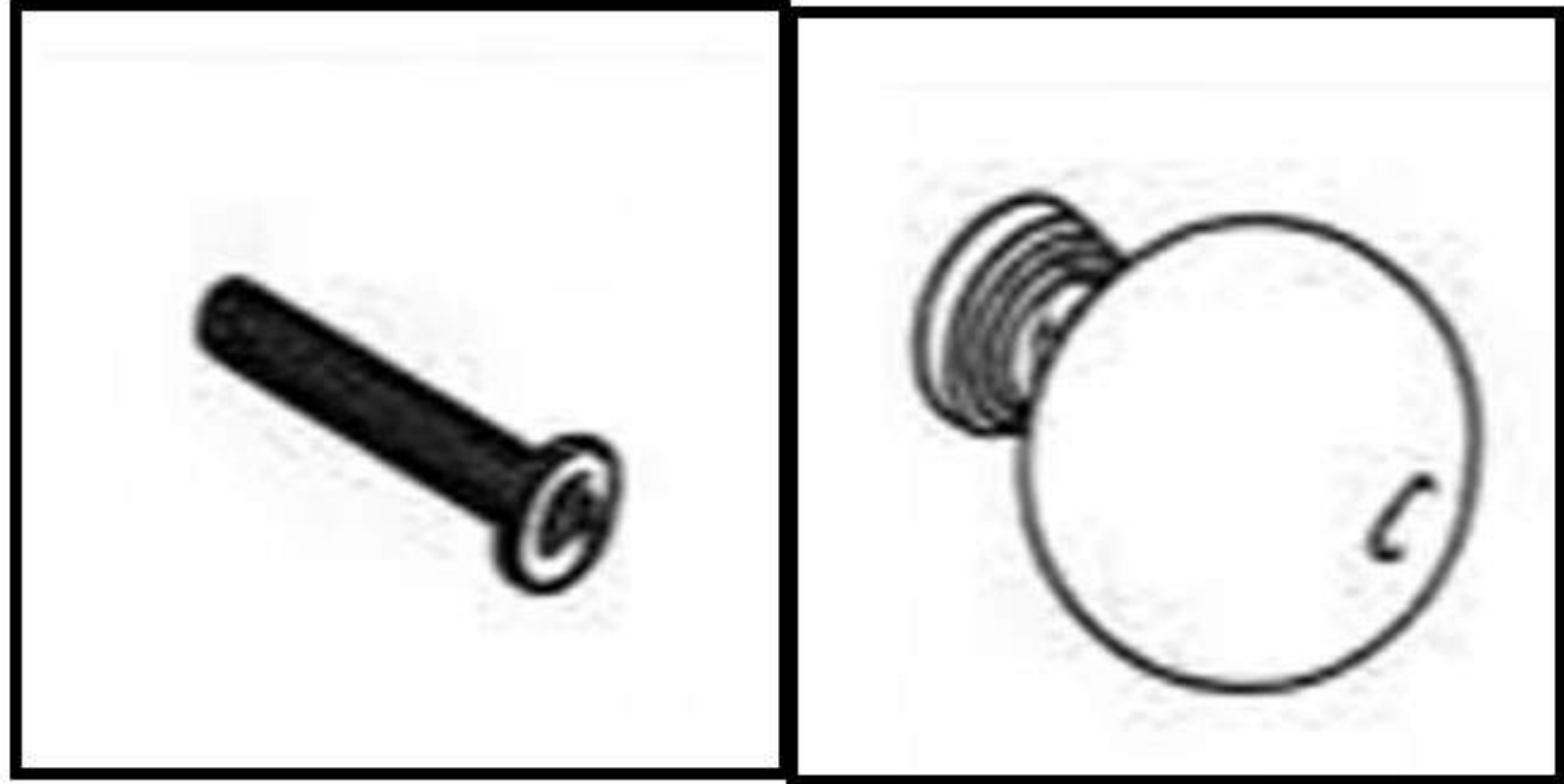
Step 11:



A

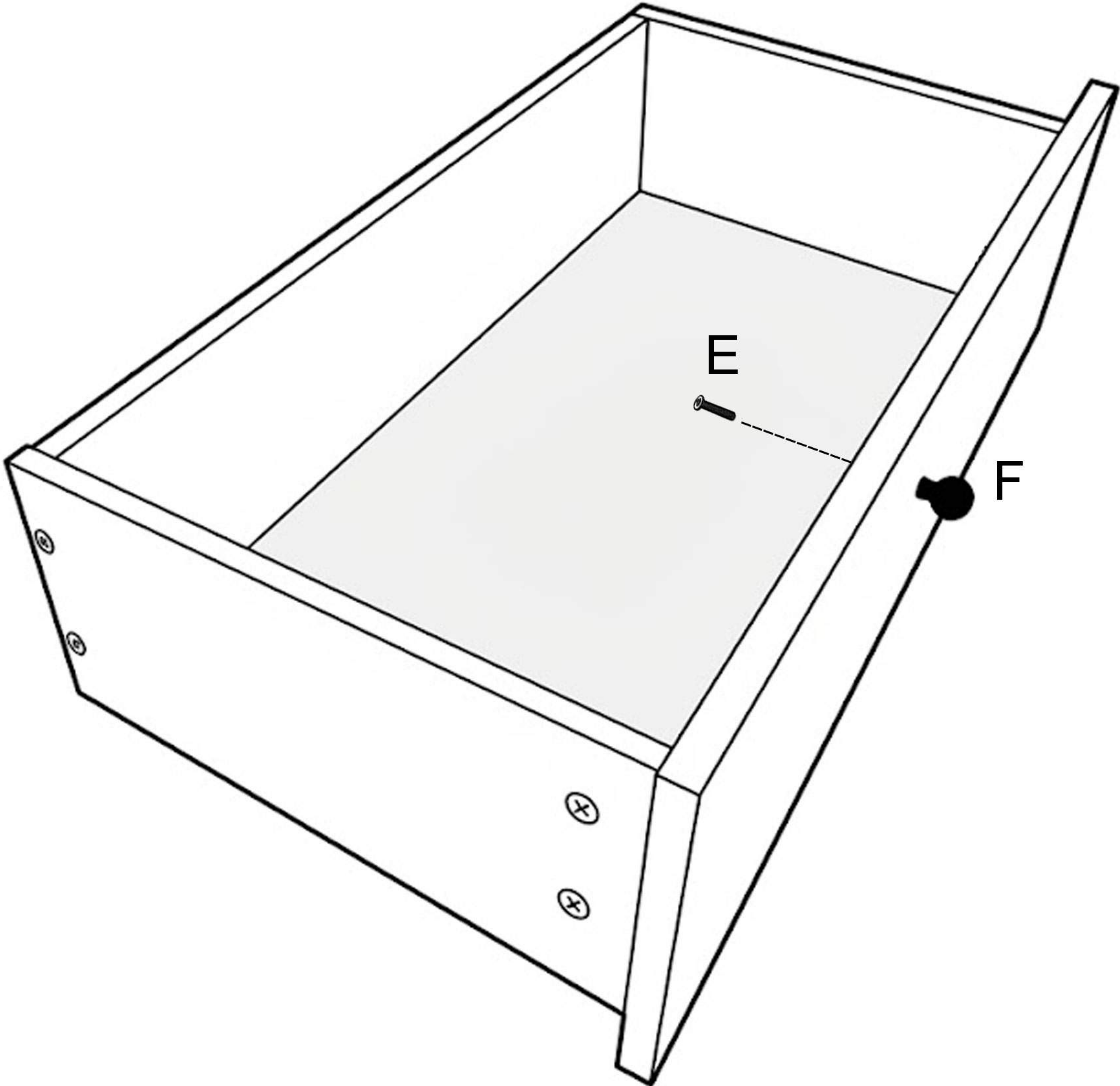


Step 12:

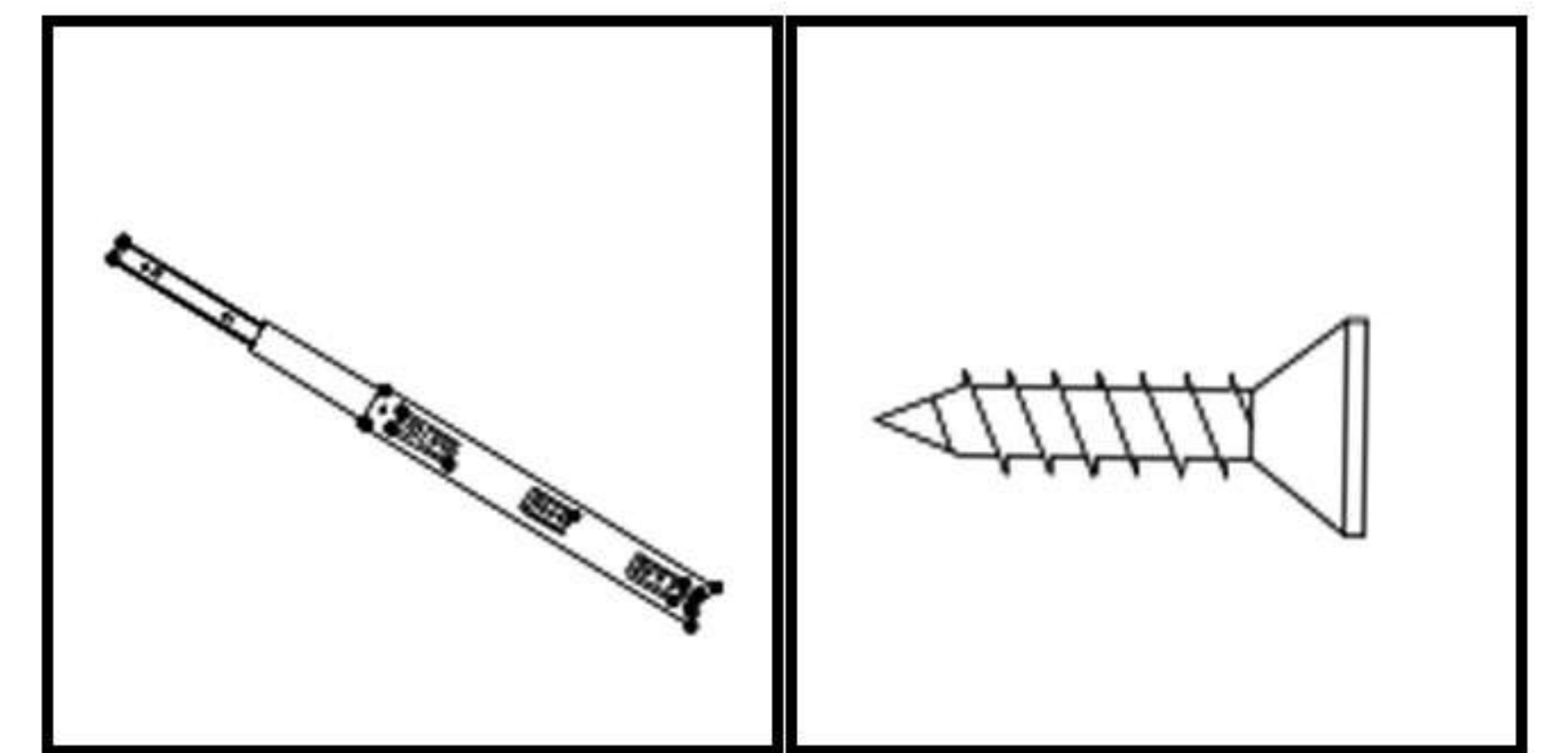


E

F

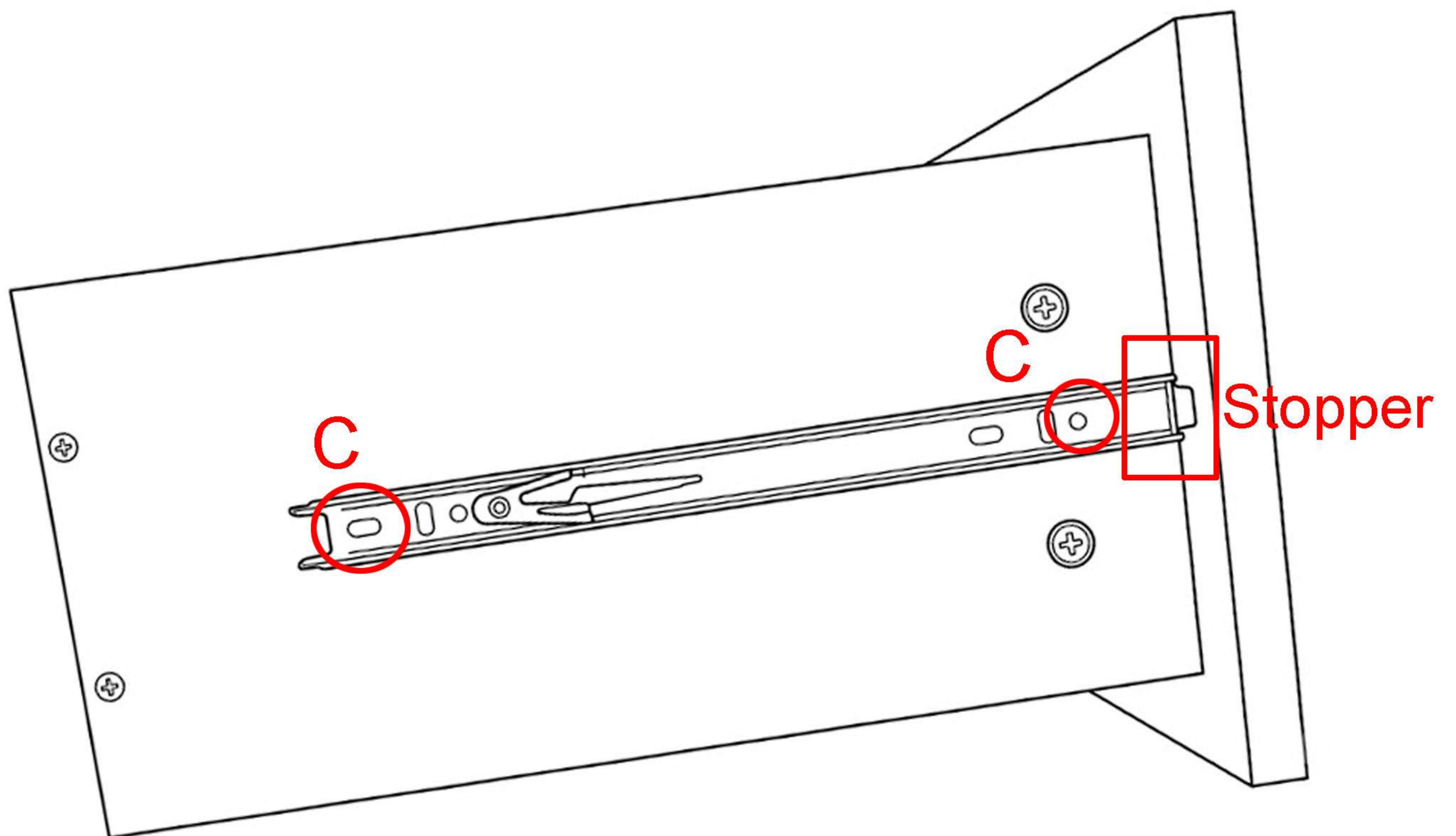


Step 13:



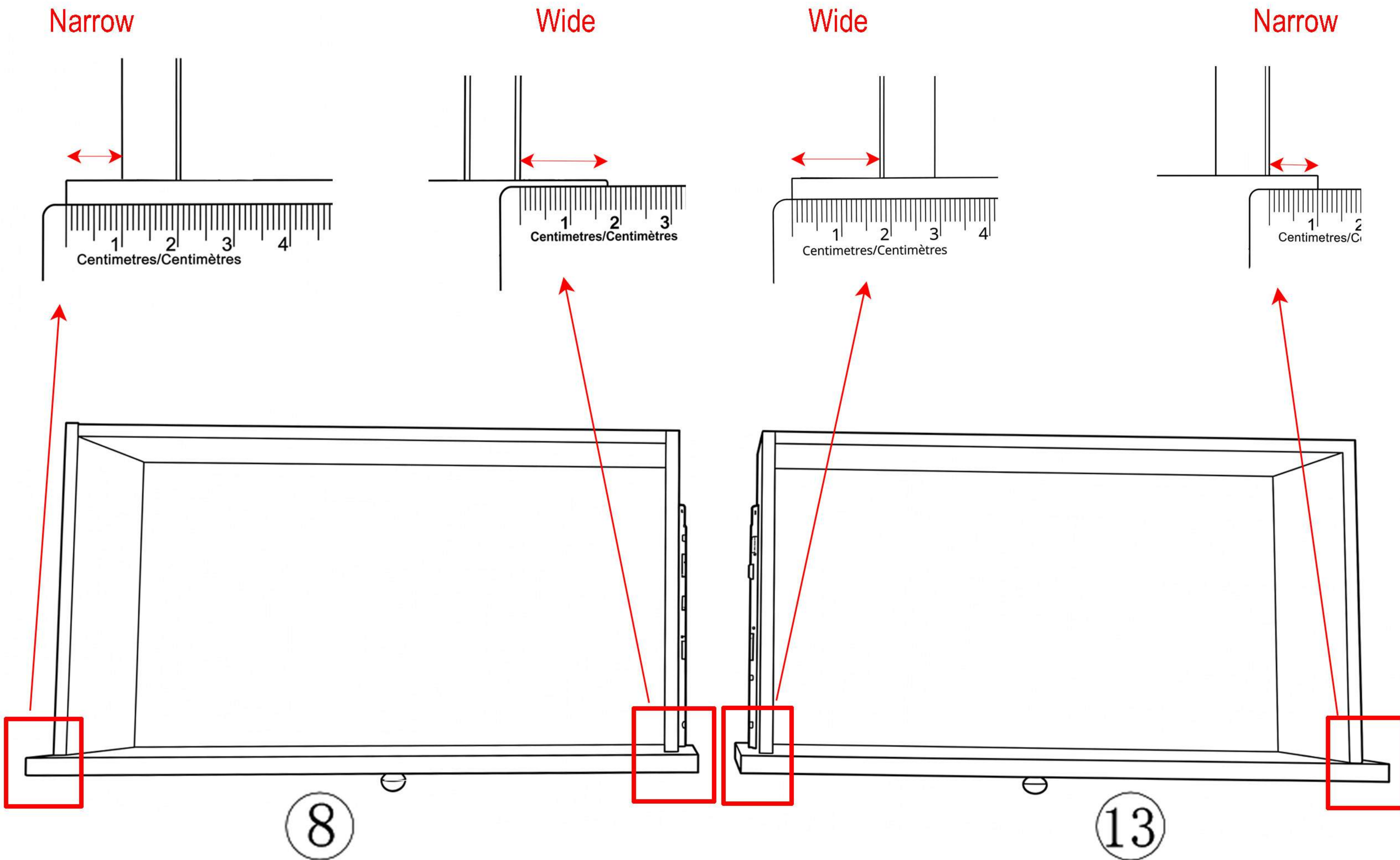
B

C



Position the pull-out part of sliding rails on the **both** side of drawer. Ensure the stopper of the slide rail is aligned with the drawer front panel. Secure with screws C.

Step 14:



Note:

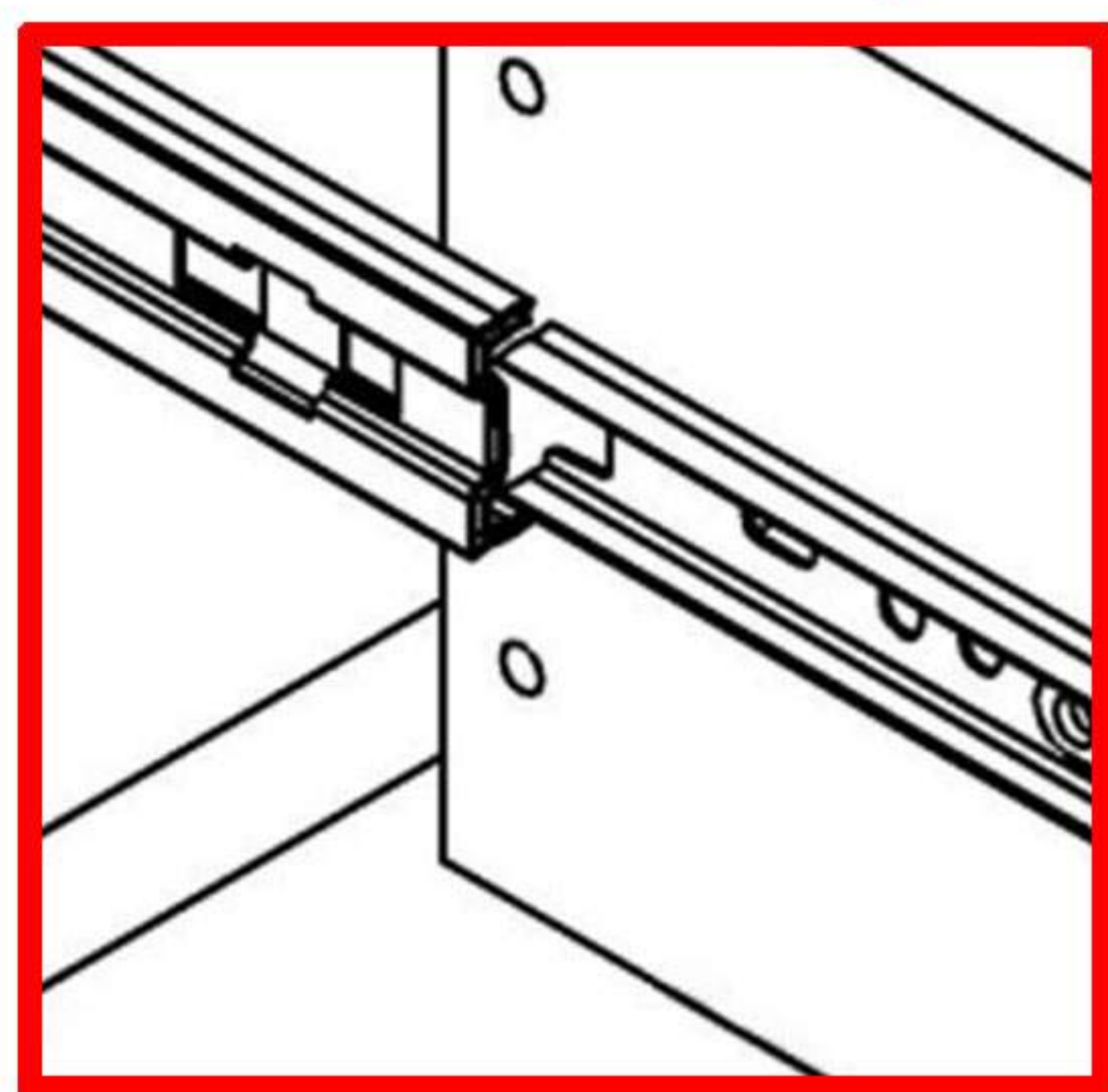
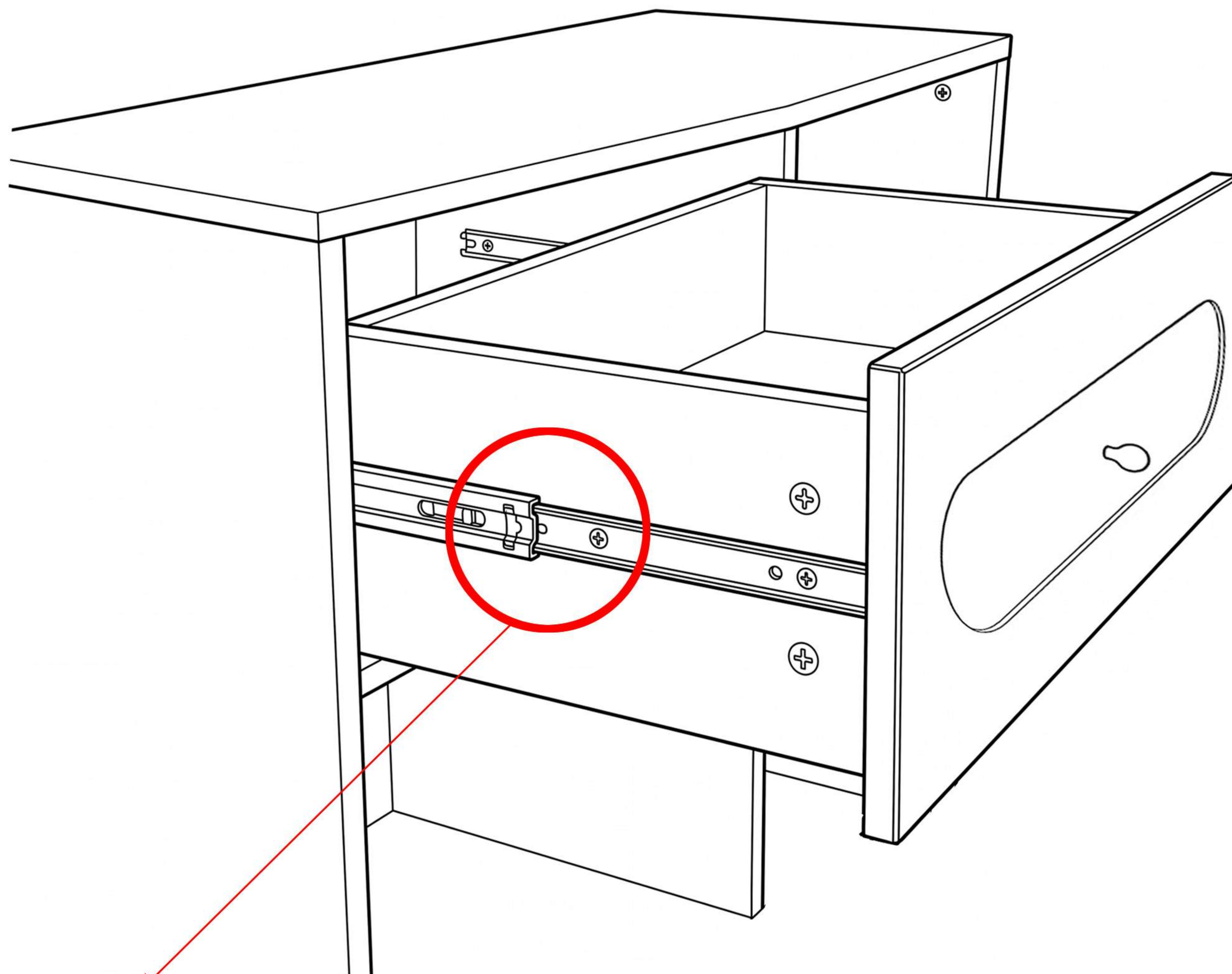
Please distinguish between the left and right drawer front panels (8 and 13) as shown in the illustration.

Left Drawer Front Panel (8): The left edge is **narrower** than the right edge.

Right Drawer Front Panel (13): The left edge is **wider** than the right edge.

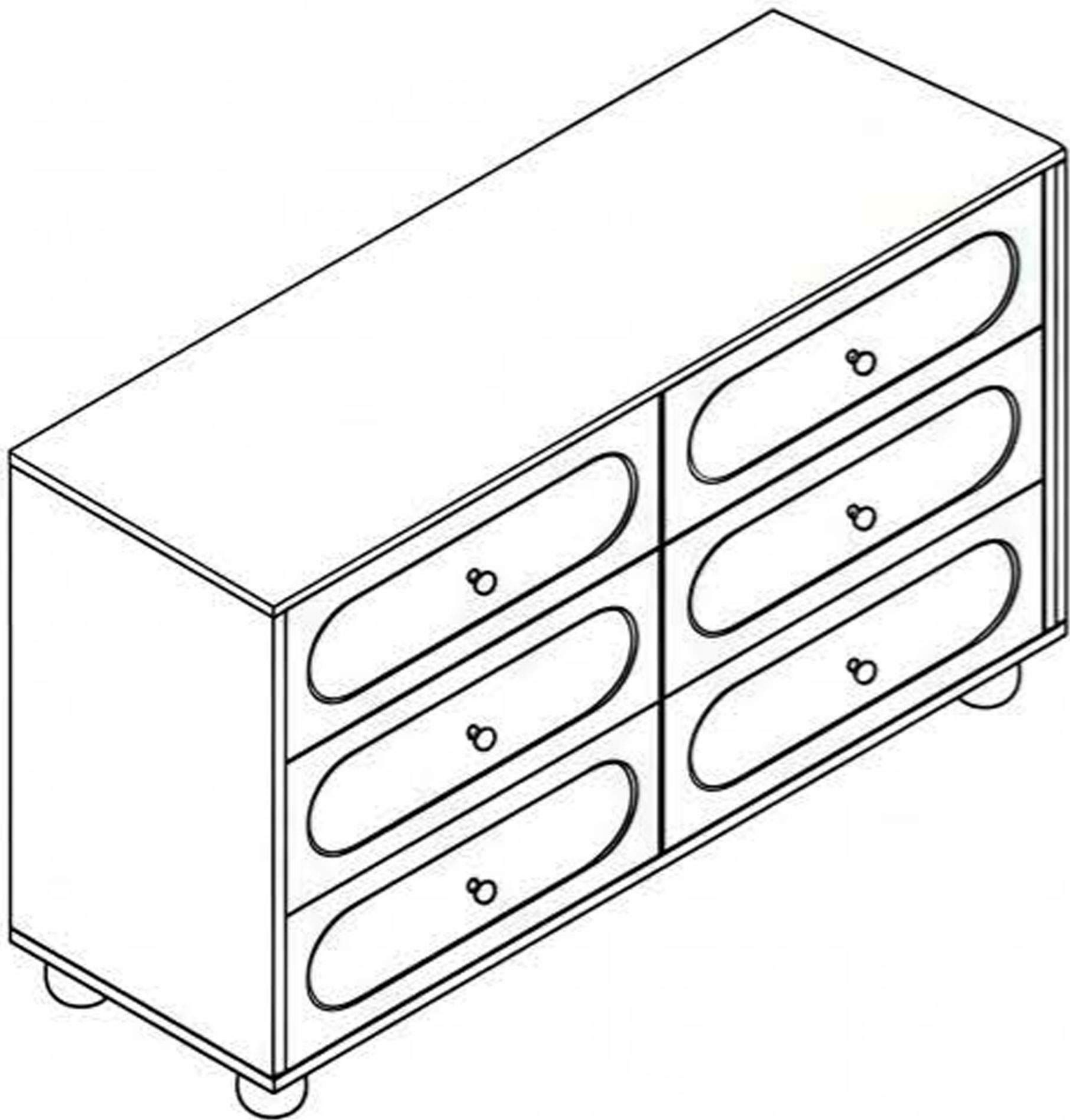
Please identify the panels carefully before assembly.

Step 15:



Insert into the slots
on both sides
simultaneously

Pull the B main body part its full length, with the silver ball-bearing section at the front. Insert the small tracks on both sides of the drawer into the slots, then gently push to secure.



Installation Finished