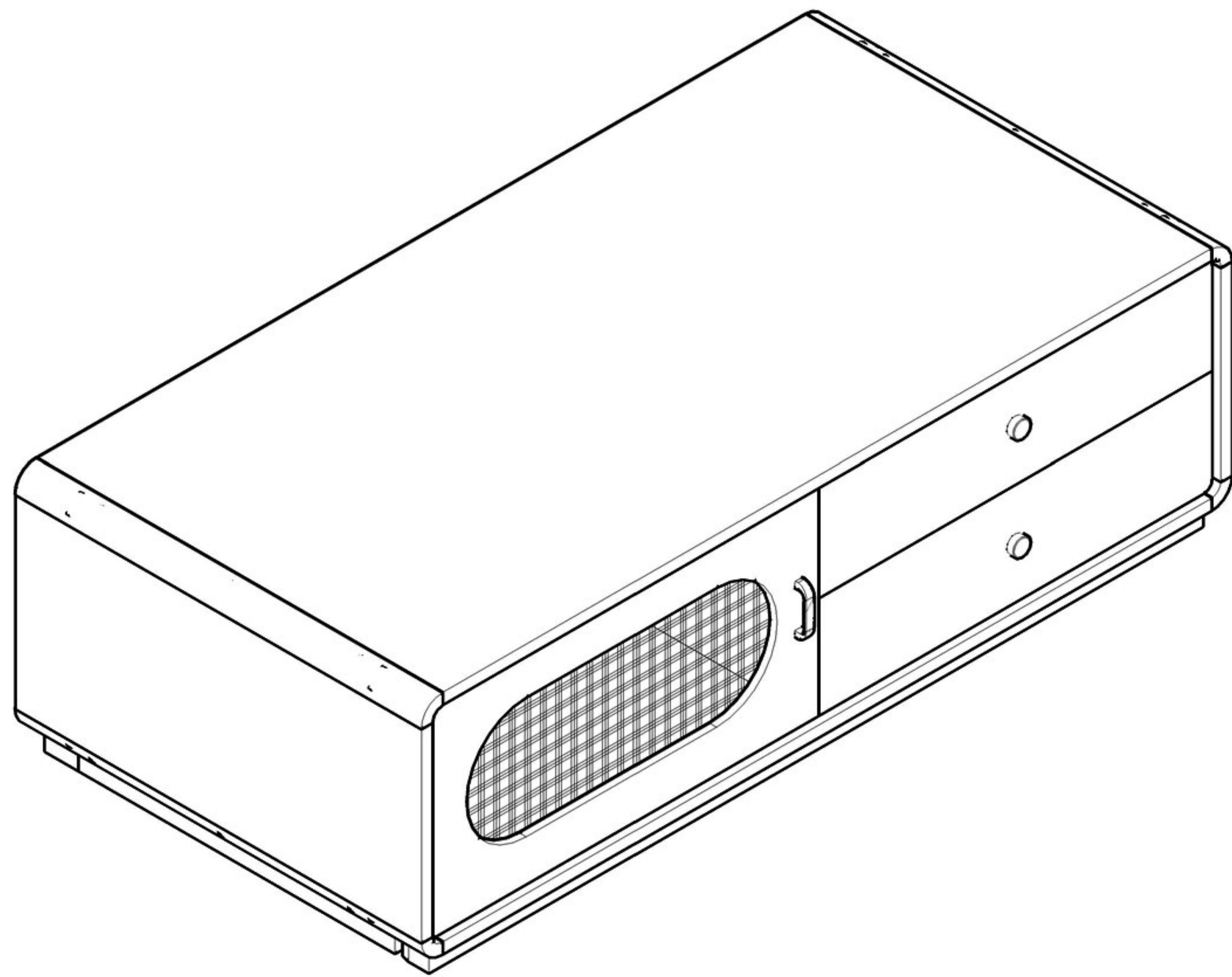


# EDB048

## Installation Instruction

Please read this instruction manual carefully before installation and use.



### Assembly notes:

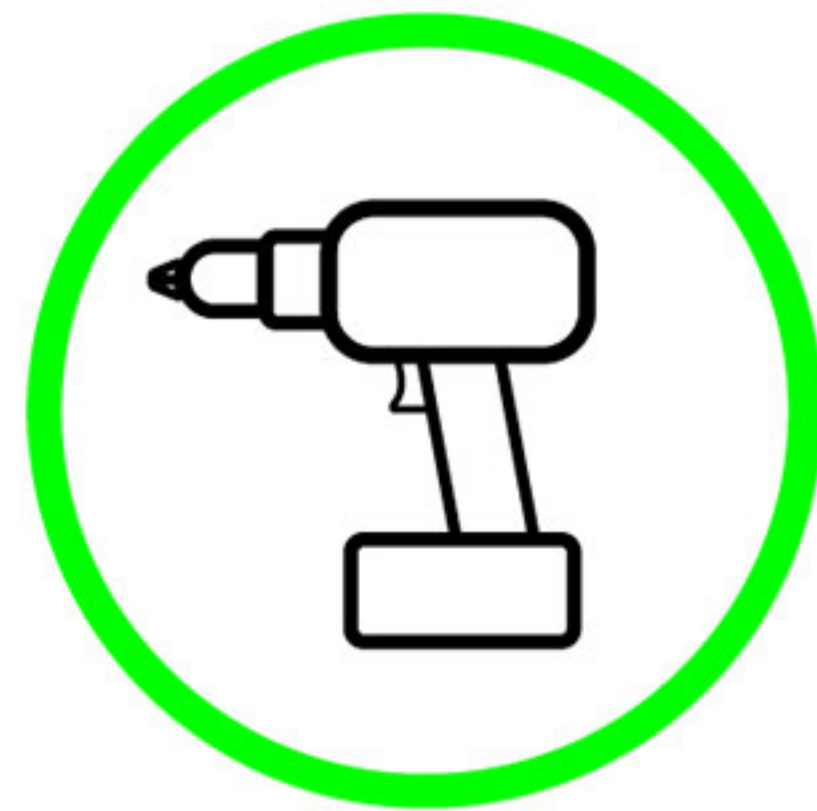
1. First, make sure that all panels and parts are not damaged or missing.
2. During the installation process, be careful not to bump or scratch the panel surface.
3. Please read the instructions carefully before installation and install in order.
4. Please use each screw accessory strictly according to the instructions.
5. The slide needs to be split into two parts when in use. For the splitting method, see the slide instructions.
6. Please keep the packaging box in case of any problems. You can check the product model and production batch number printed on the outside of the packaging box.

### Precautions after assembly:

1. After installation, check whether all parts are installed and the locks are locked.
2. Check the overall stability of the cabinet to see if there is any vibration.
3. When using the lock, do not use excessive force to avoid damage to the lock. Just turn it clockwise until it cannot turn.





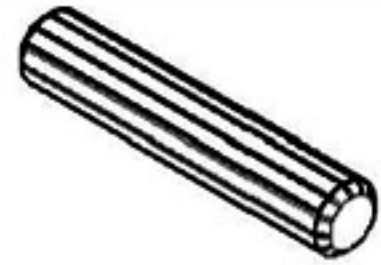



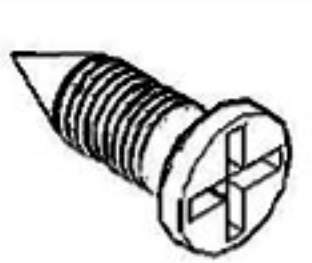
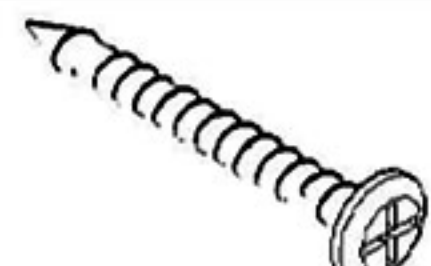
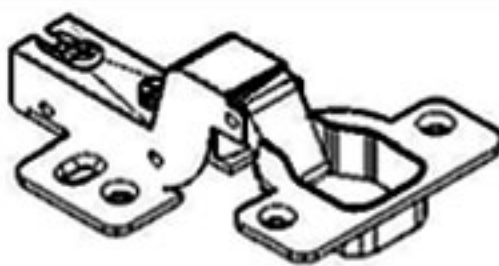

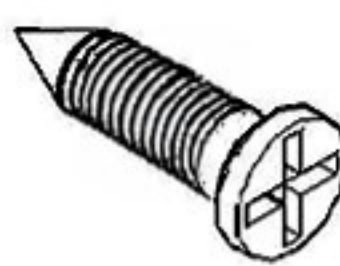



Scan the code to purchase ES001



**NOTE: ES001 - 3 Speed Portable Cordless Electric Screwdriver is highly recommended for installation.**

### Hardware List

Accessory Appearance	Code	Dimensions	Numbers	Unit	Accessory Appearance	Code	Dimensions	Numbers	Unit
	A	Ø7*40mm	42	Piece		I		4	Piece
	B	Ø15*12mm	42	Piece		J		2	Piece
	C	Ø8*40mm	24	Piece		K		6	Piece
	D	250	4	Pair		L	Non-slip pad	10	Piece
	E	Ø3.5*12mm	24	Piece	Woven rattan	M	501*220	2	Piece
	F	Ø3.5*40mm	22	Piece		N	--	2	Piece
	G	Ø6*20mm	9	Piece		O	Ø3.5*14mm	12	Piece
	H	Ø6*30mm	9	Piece					

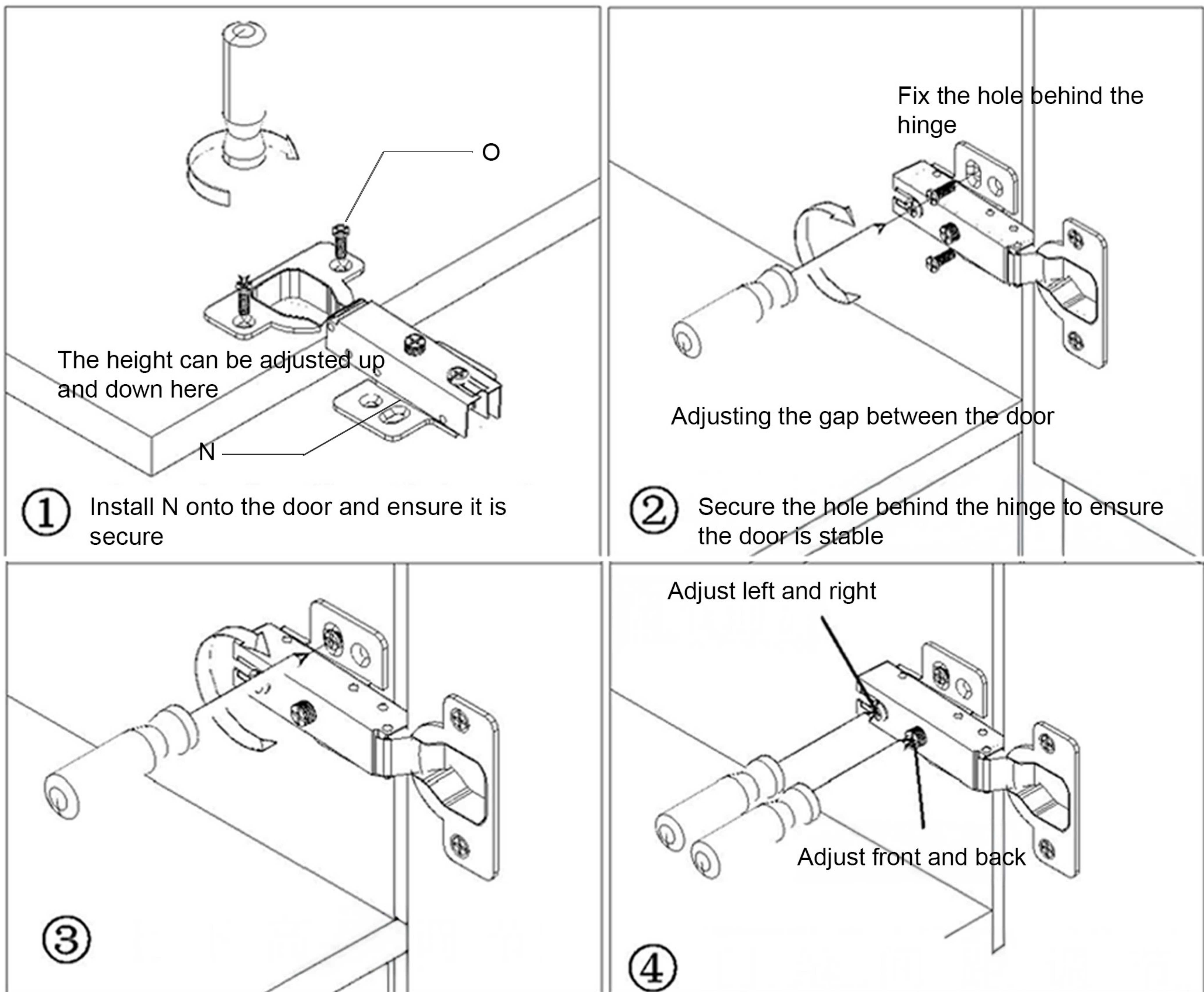
## BoardMaterial List

Code	Dimensions(mm)	No.	Code	Dimensions(mm)	No.	Code	Dimensions(mm)	No.
①	1140*600*15	1	⑥	548*304*15	1	⑪	534*244*08	4
②	1140*600*15	1	⑦	581.5*300*15	2	⑫	1146*50*30	2
③	577*304*15	1	⑧	581.5*149*15	4	⑬	468*50*30	2
④	600*275*15	2	⑨	250*116*15	8			
⑤	30*30*601	4	⑩	522*116*15	4			

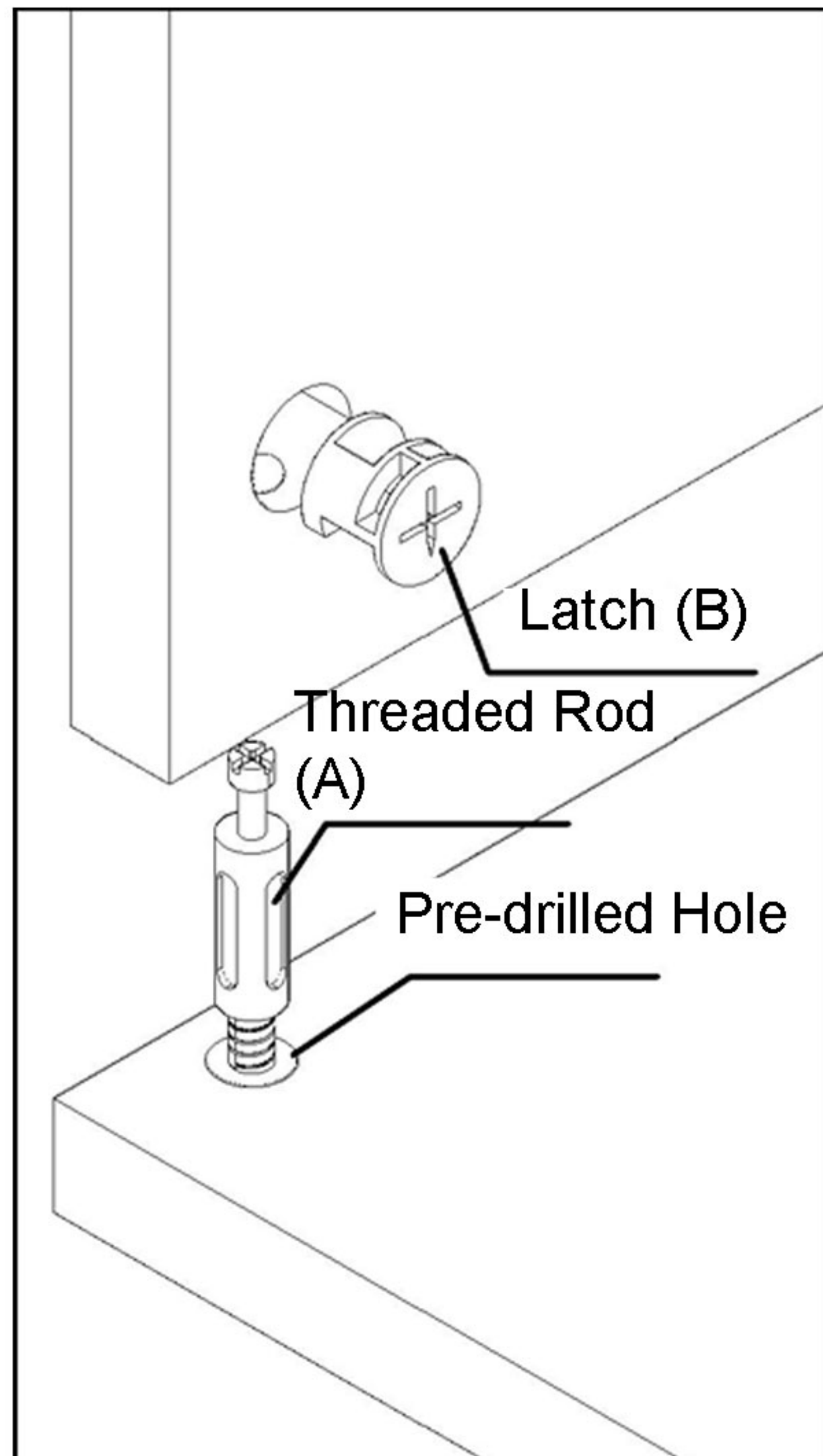
**Detailed description of the main components, please read carefully**

### N (Hinge) Installation Instructions

Install the hinge with screw O



## Installation Guide: Threaded Rod, Latch, Pre-drilled Hole

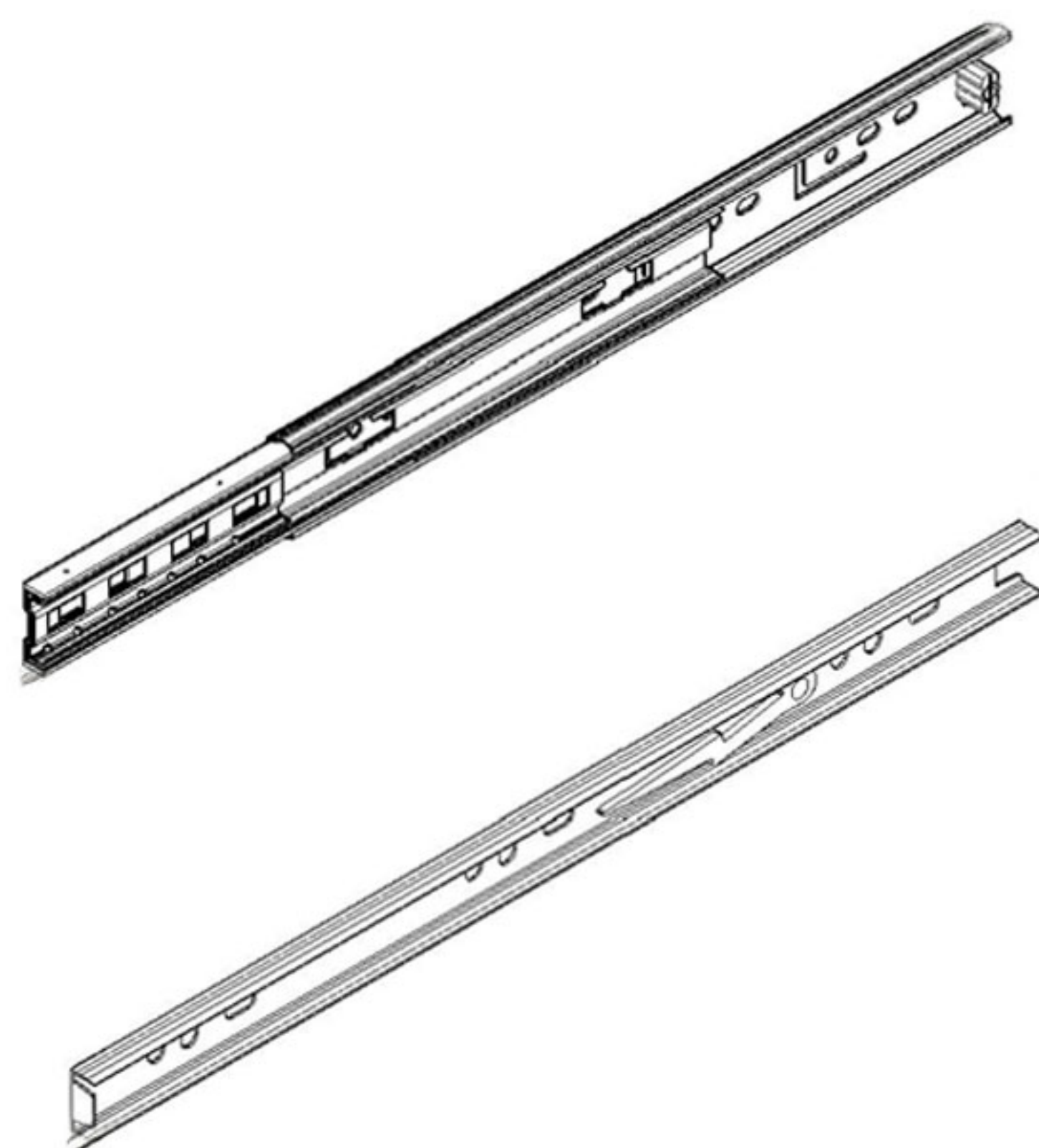


1. Screw the A (Threaded Rod) into the Pre-drilled Hole
2. Insert the installed A into the corresponding hole of the other piece. Press B (Latch) into the hole. Note that the cross arrow corresponds to the insertion direction of the Threaded Rod.
3. Use a cross screwdriver to tighten Latch clockwise. Be careful not to use excessive force.

## D (Sliding Rail) Installation Instructions

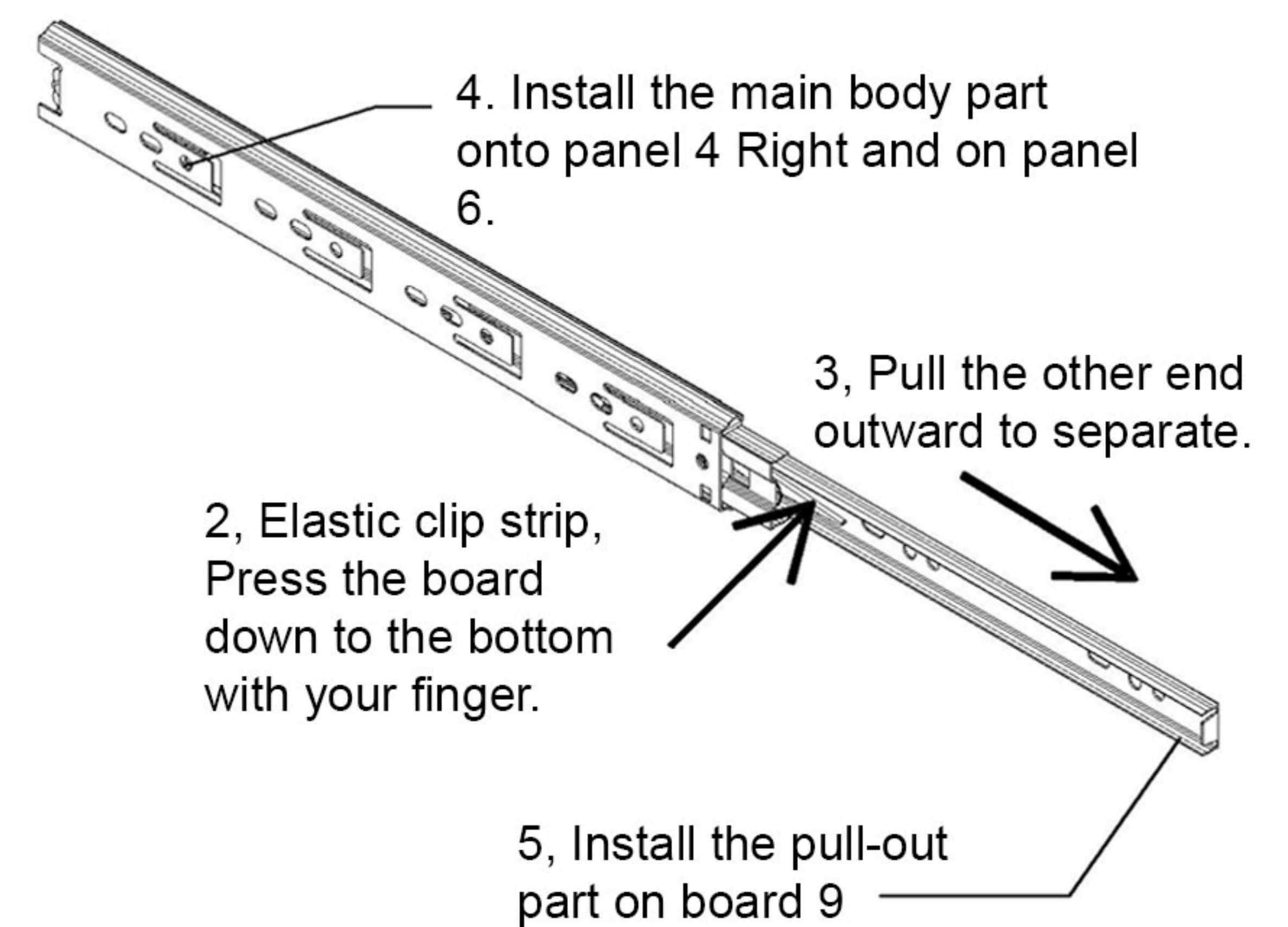
When installing **D**, use with screw **E**

1, Separate **D** (Sliding Rail)

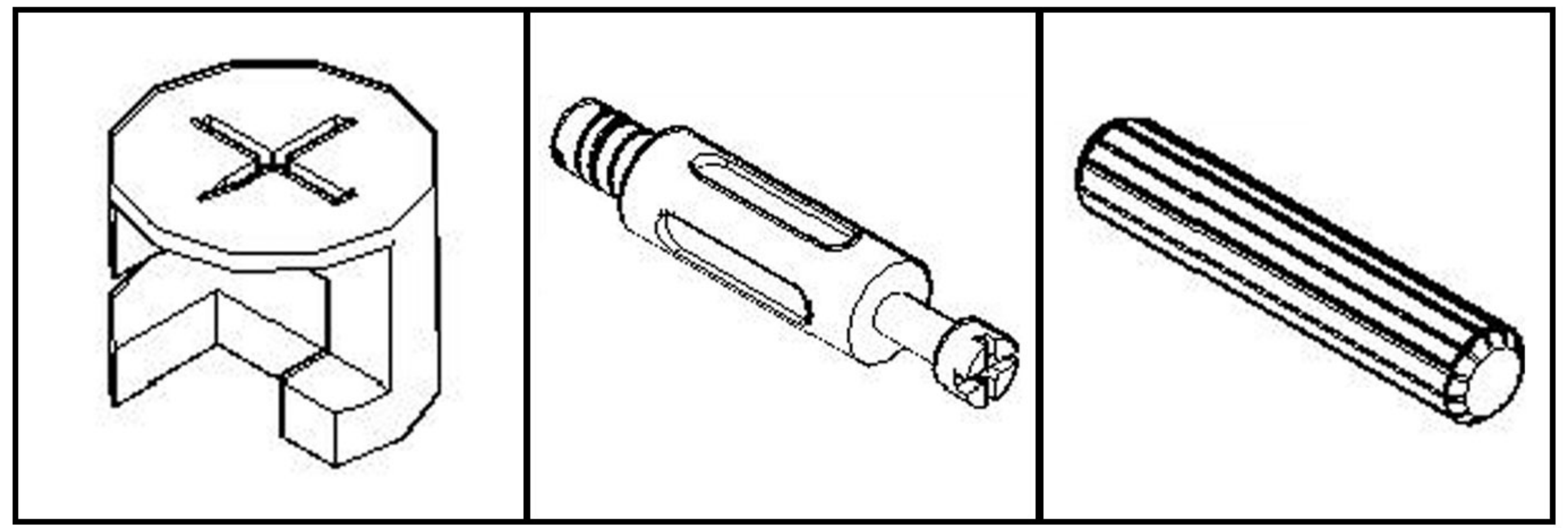


The main body part

The pull-out part



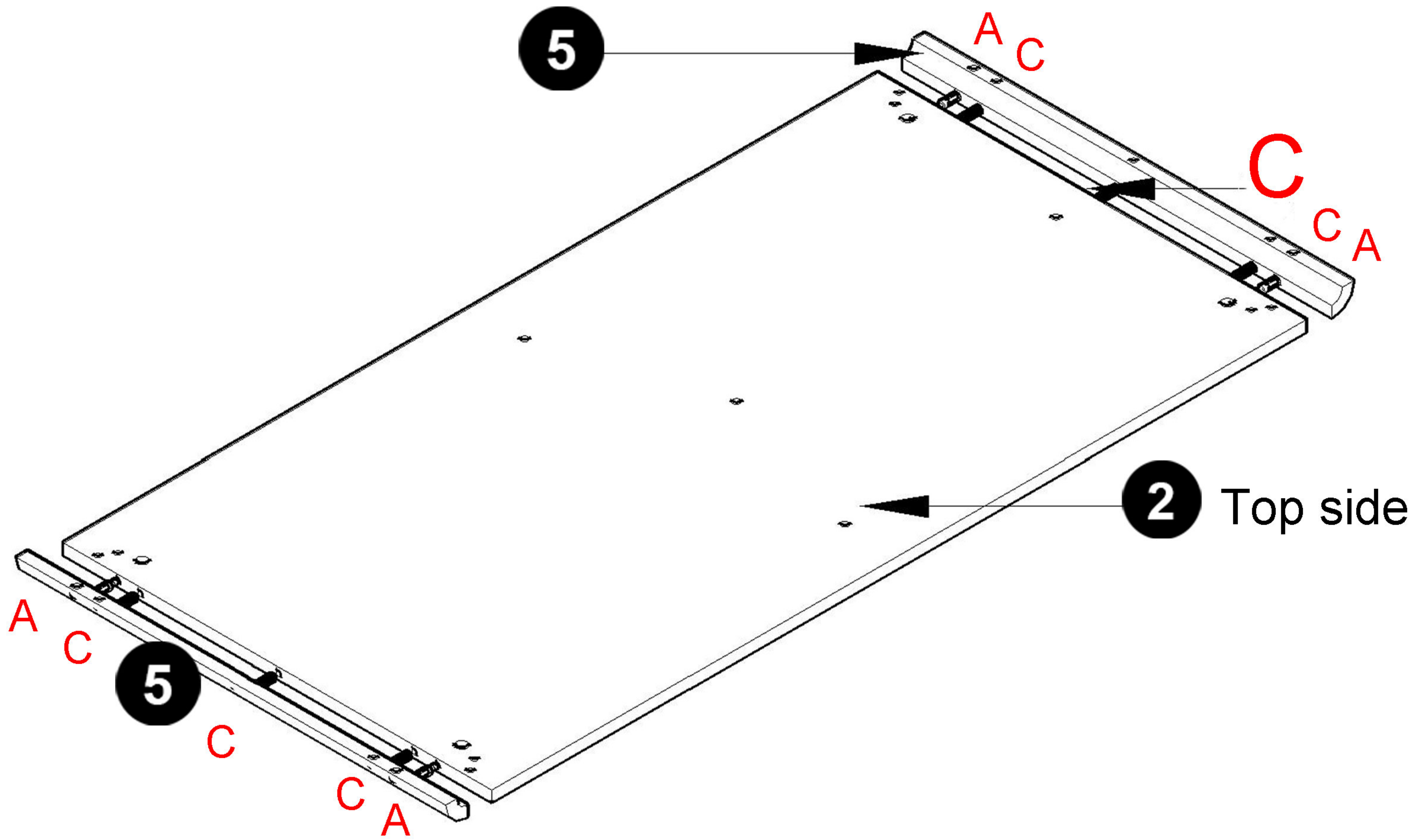
# Step 1:



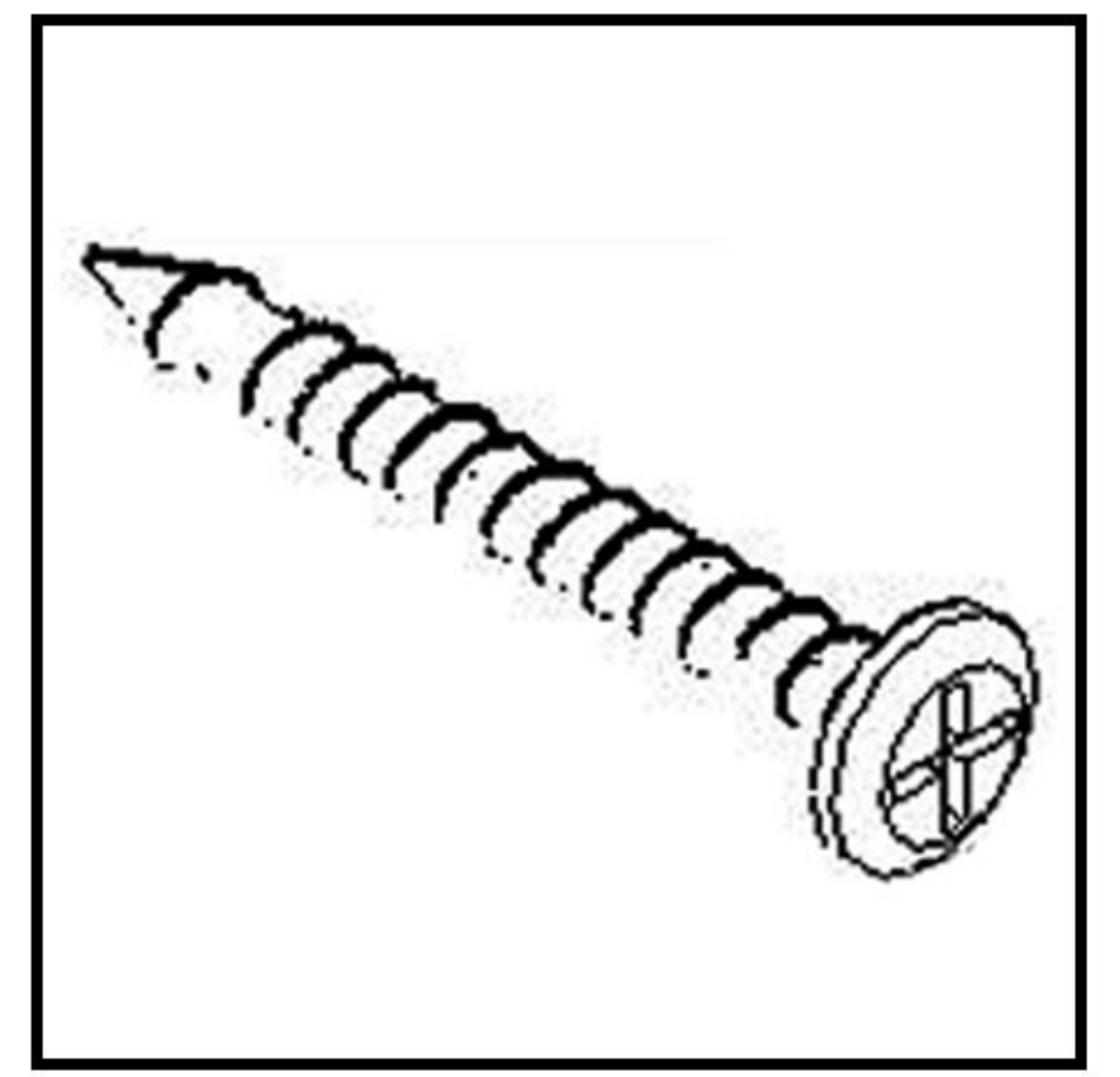
**B**

**A**

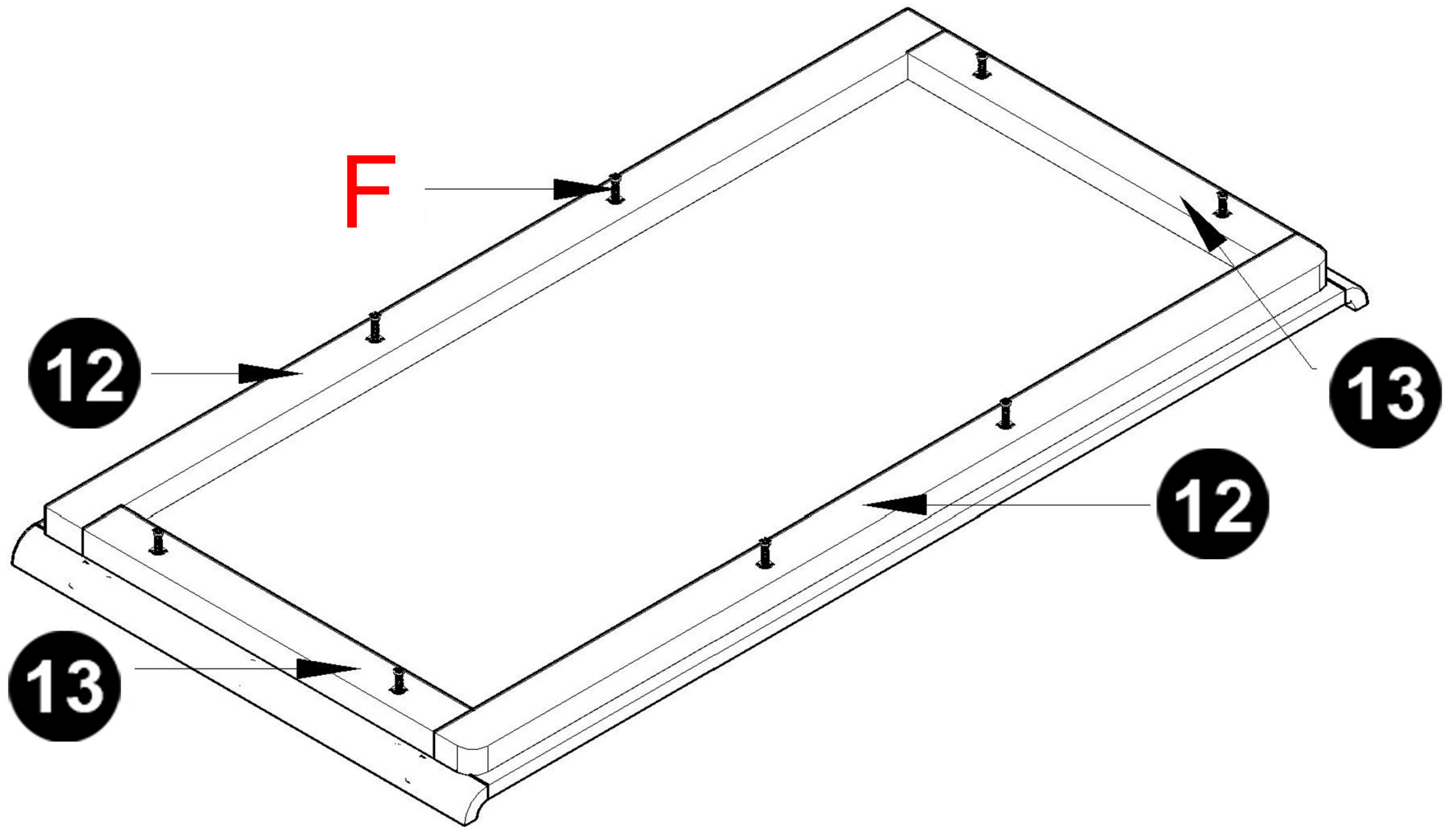
**C**



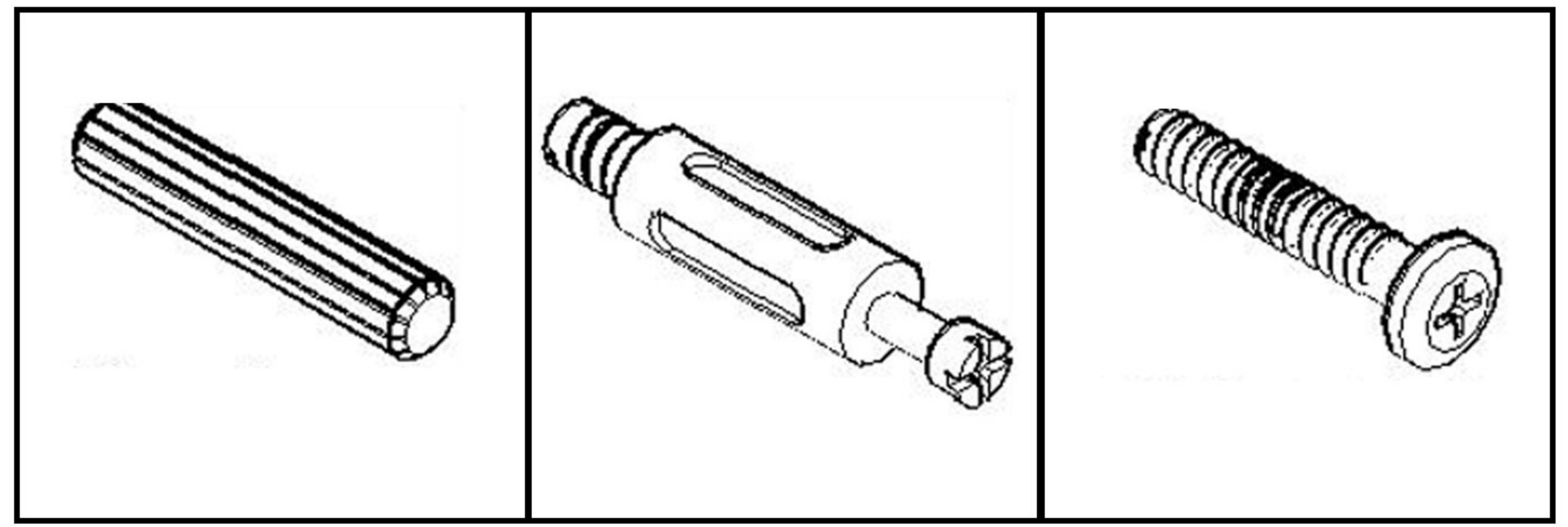
# Step 2:



F



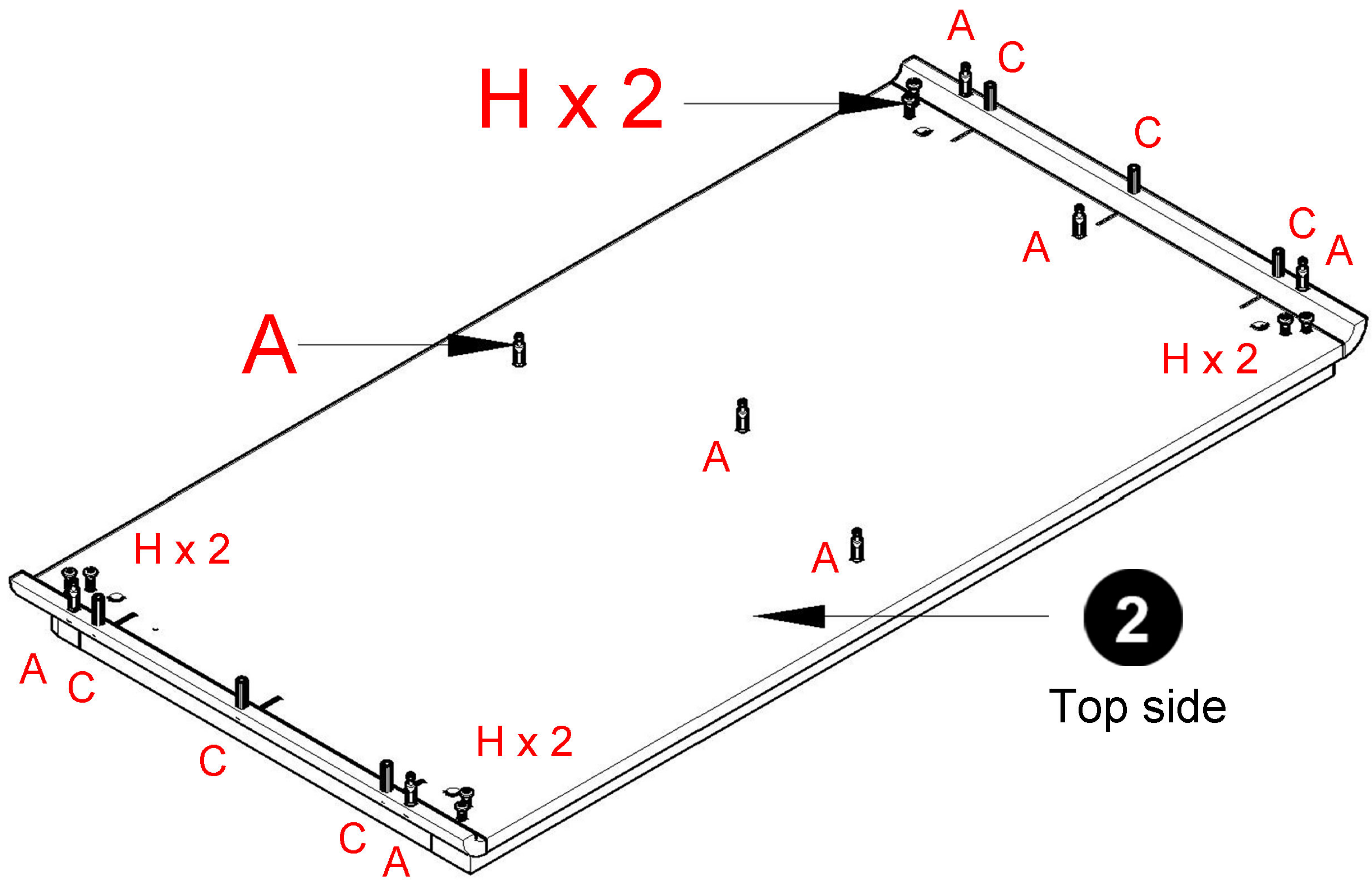
# Step 3:



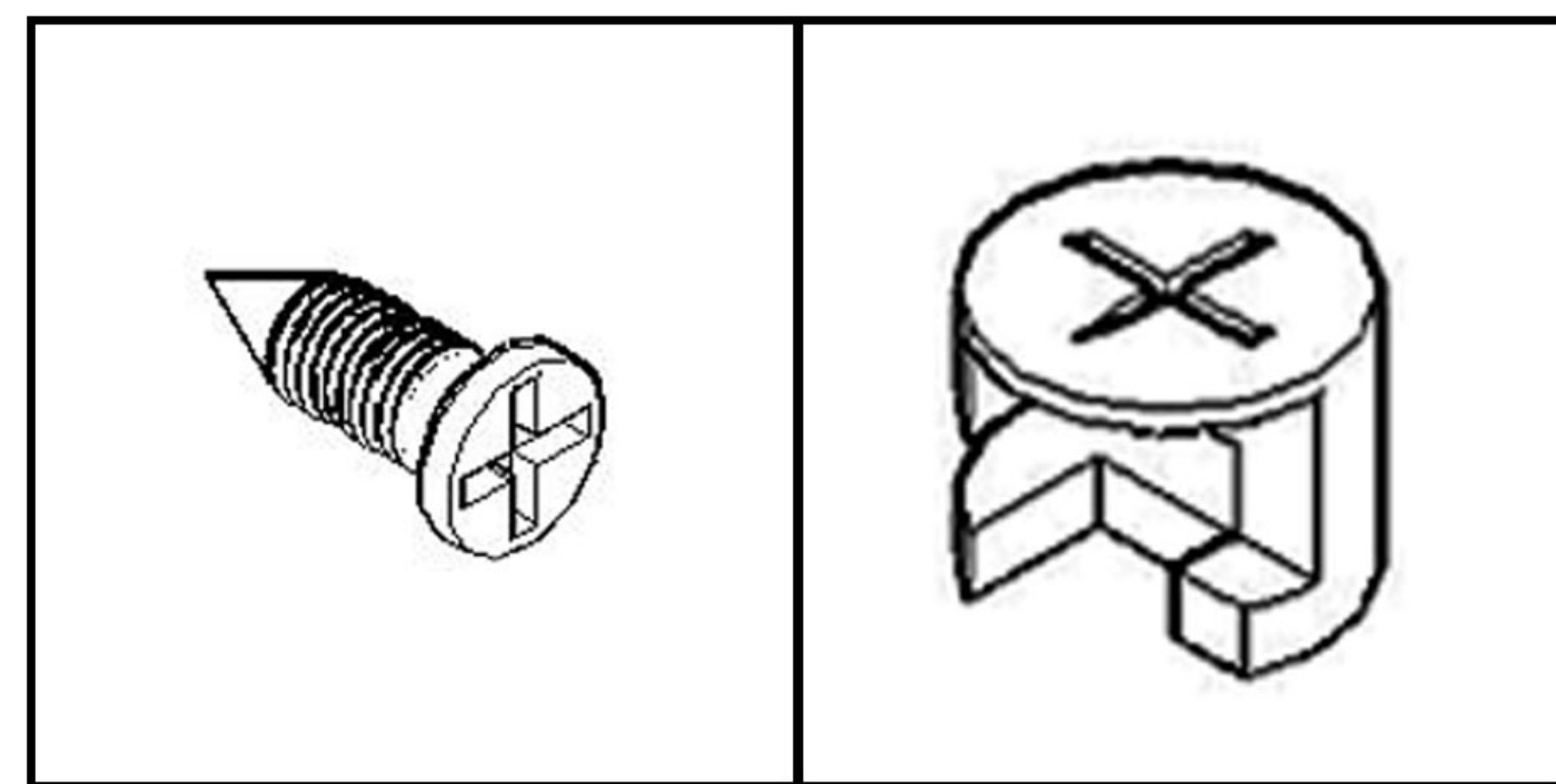
C

A

H

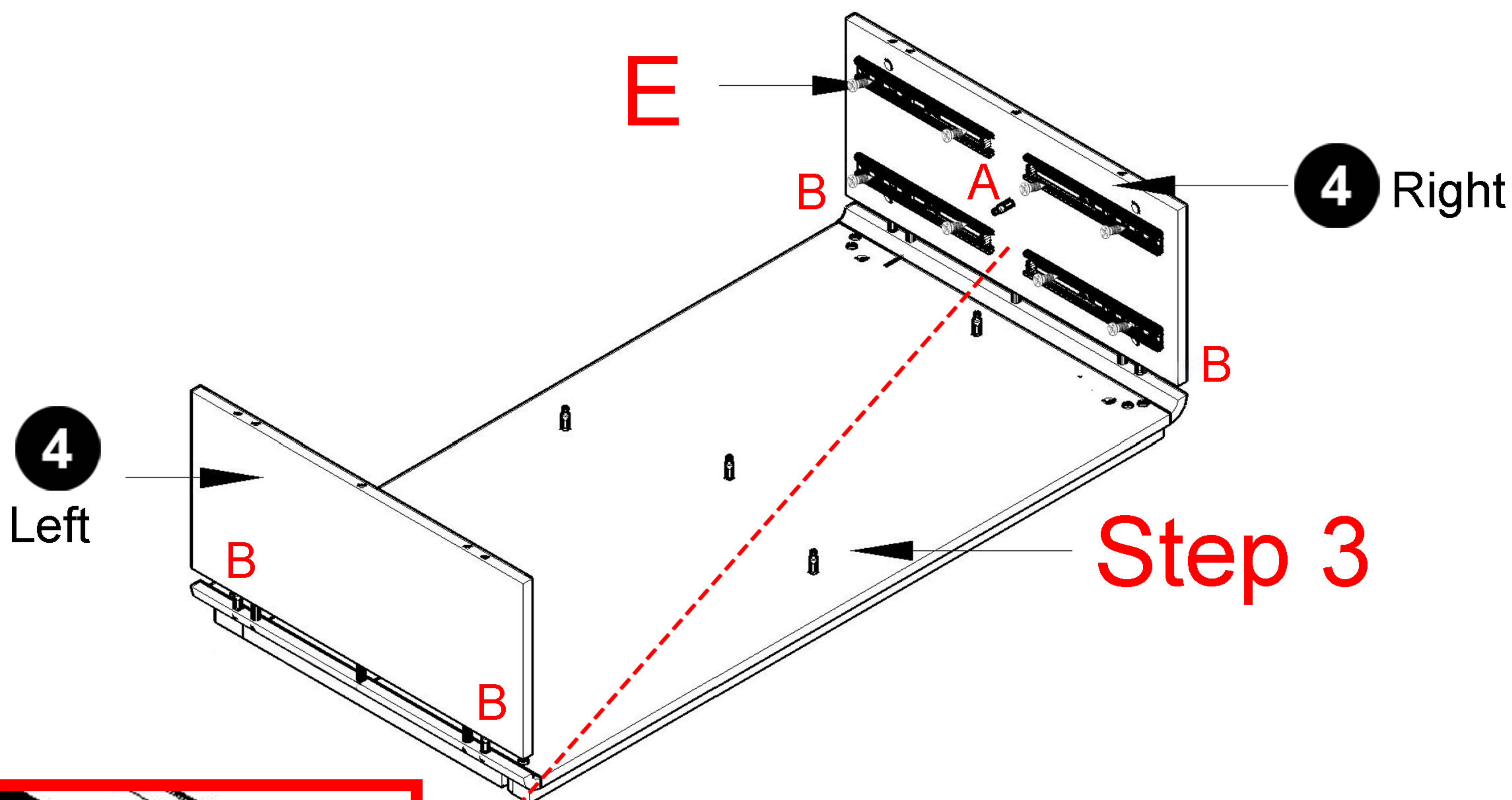


# Step 4:



E

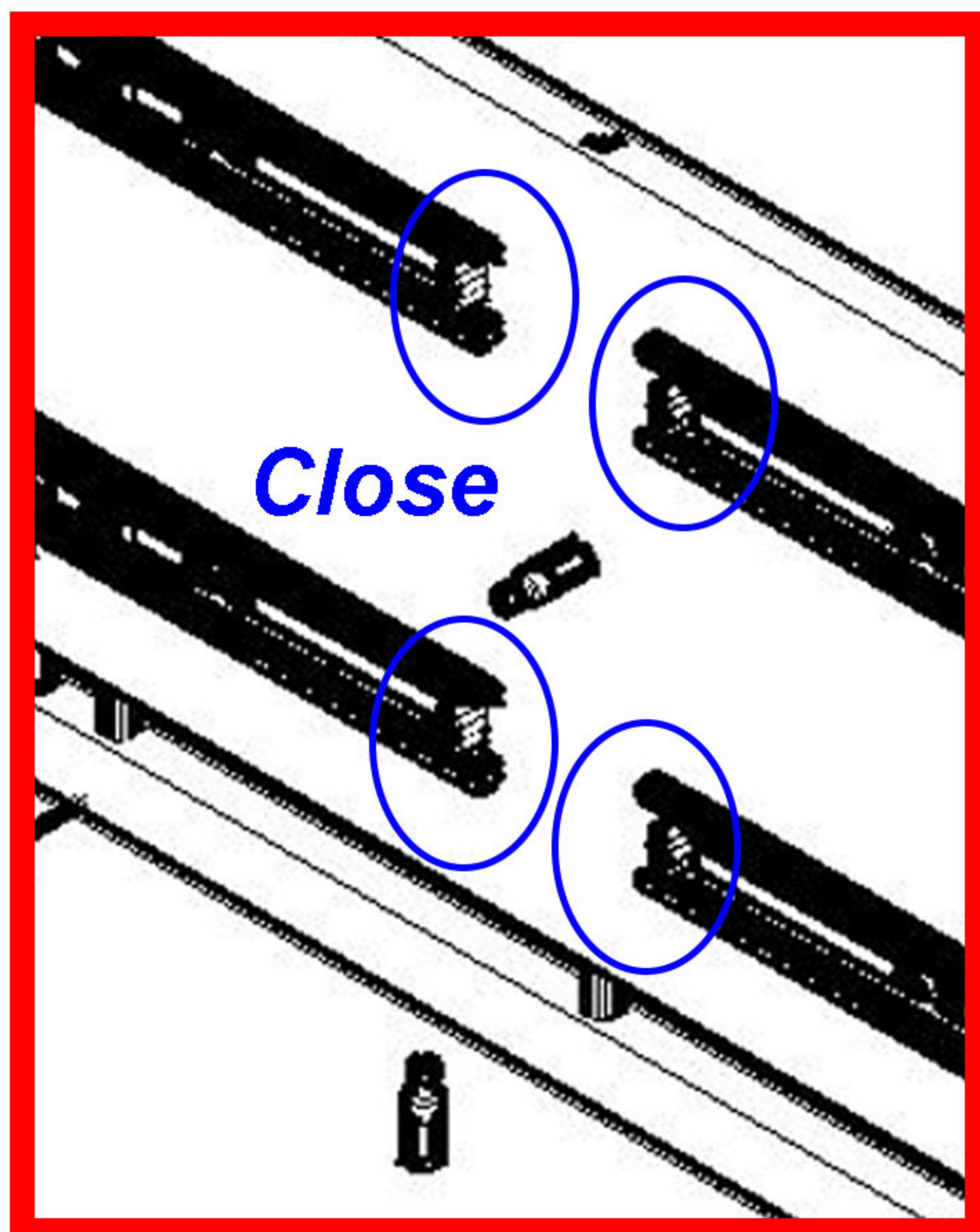
B



4  
Left

4 Right

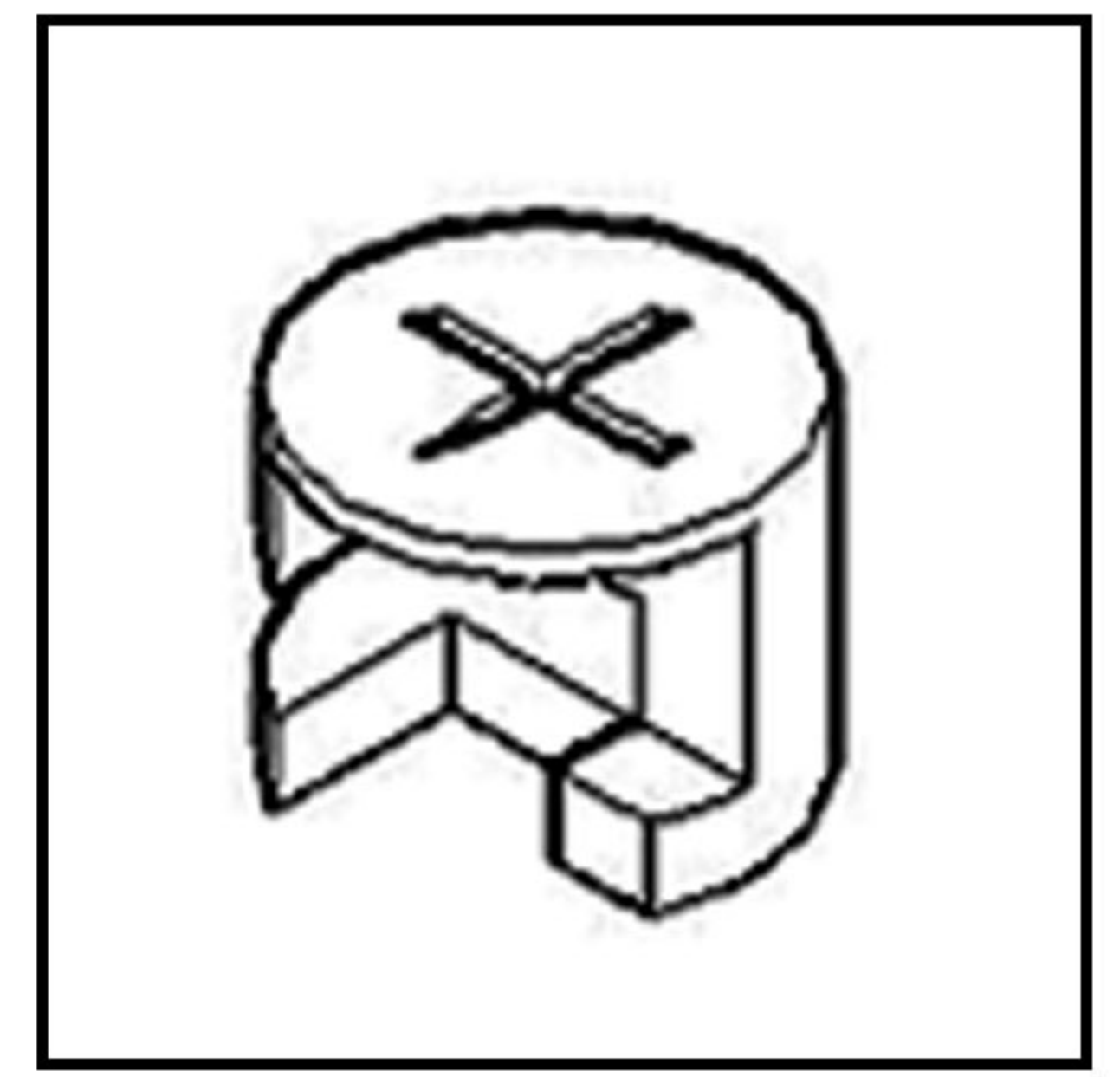
Step 3



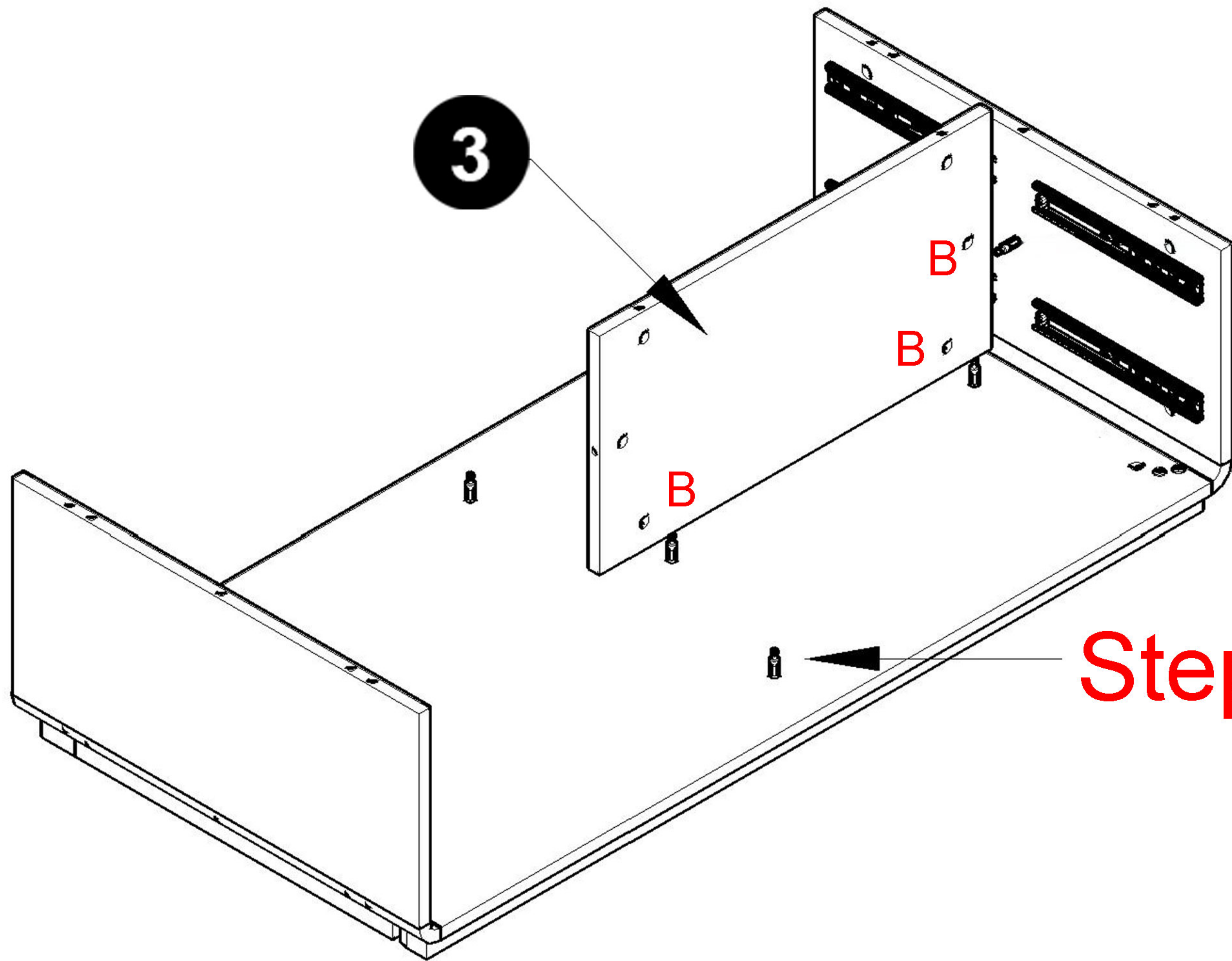
The main body part of D x 4

Install the left and right slide rails symmetrically, with the open side facing outward.

# Step 5:

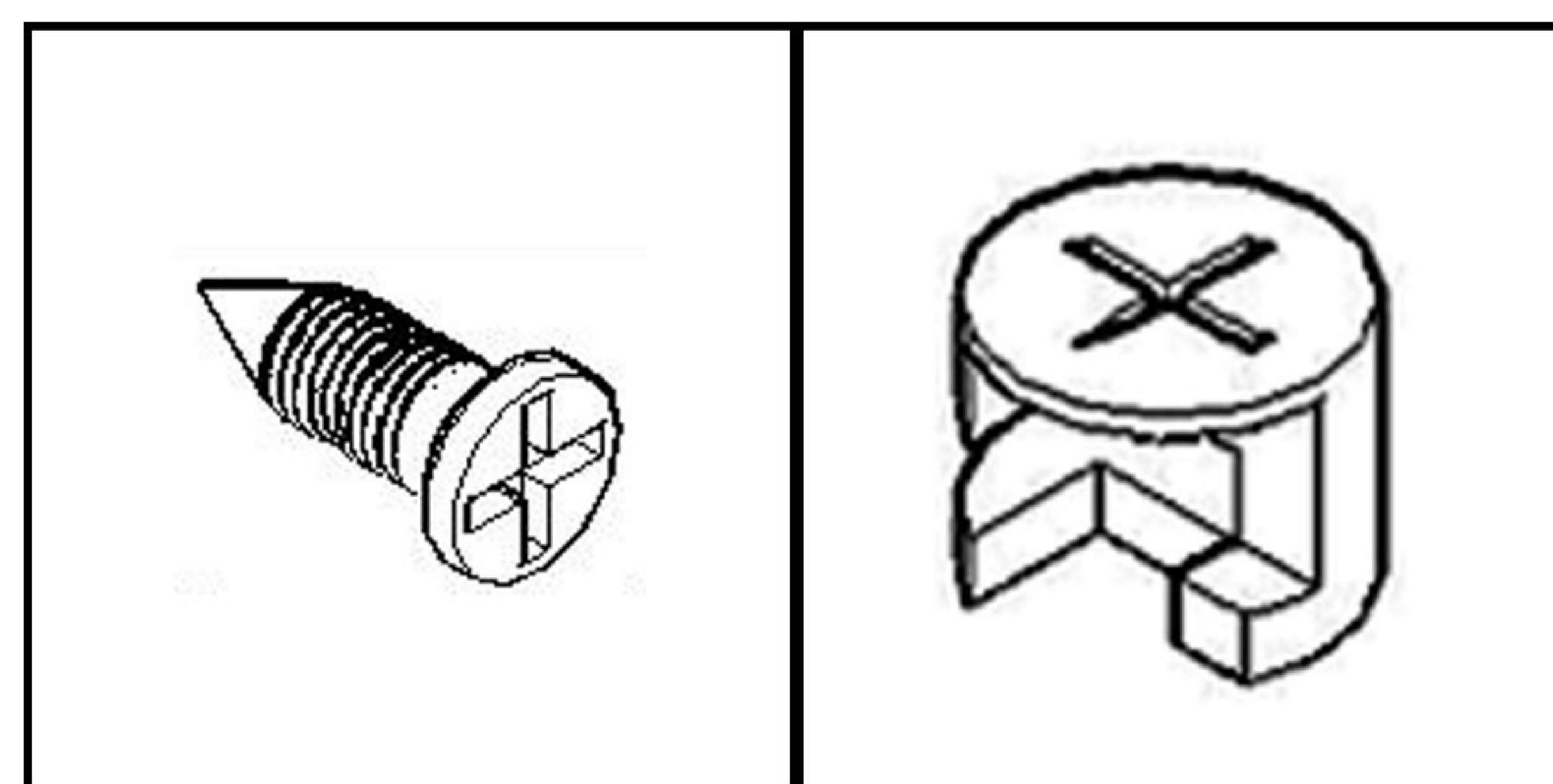


**B**



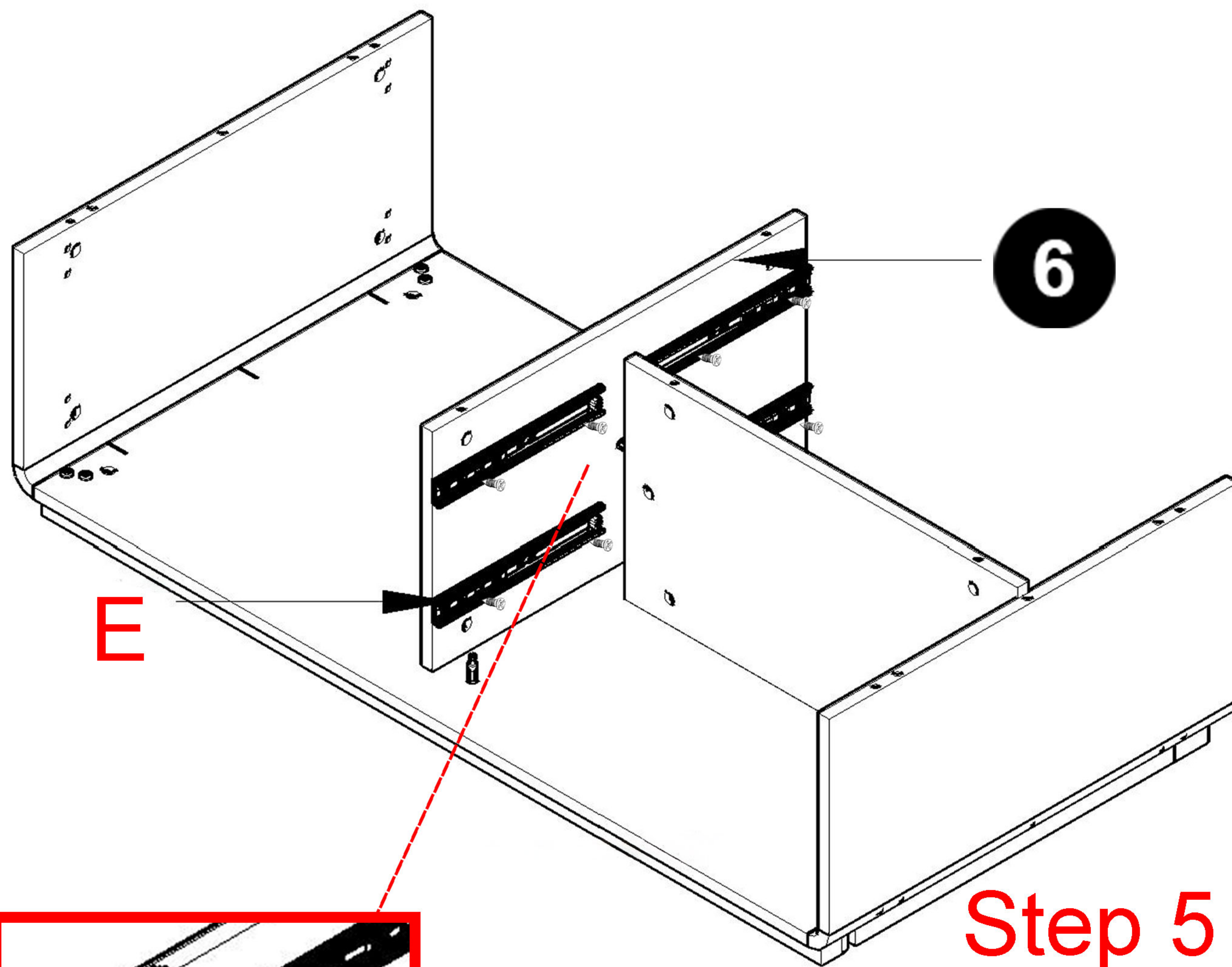
**Step 4**

# Step 6:



E

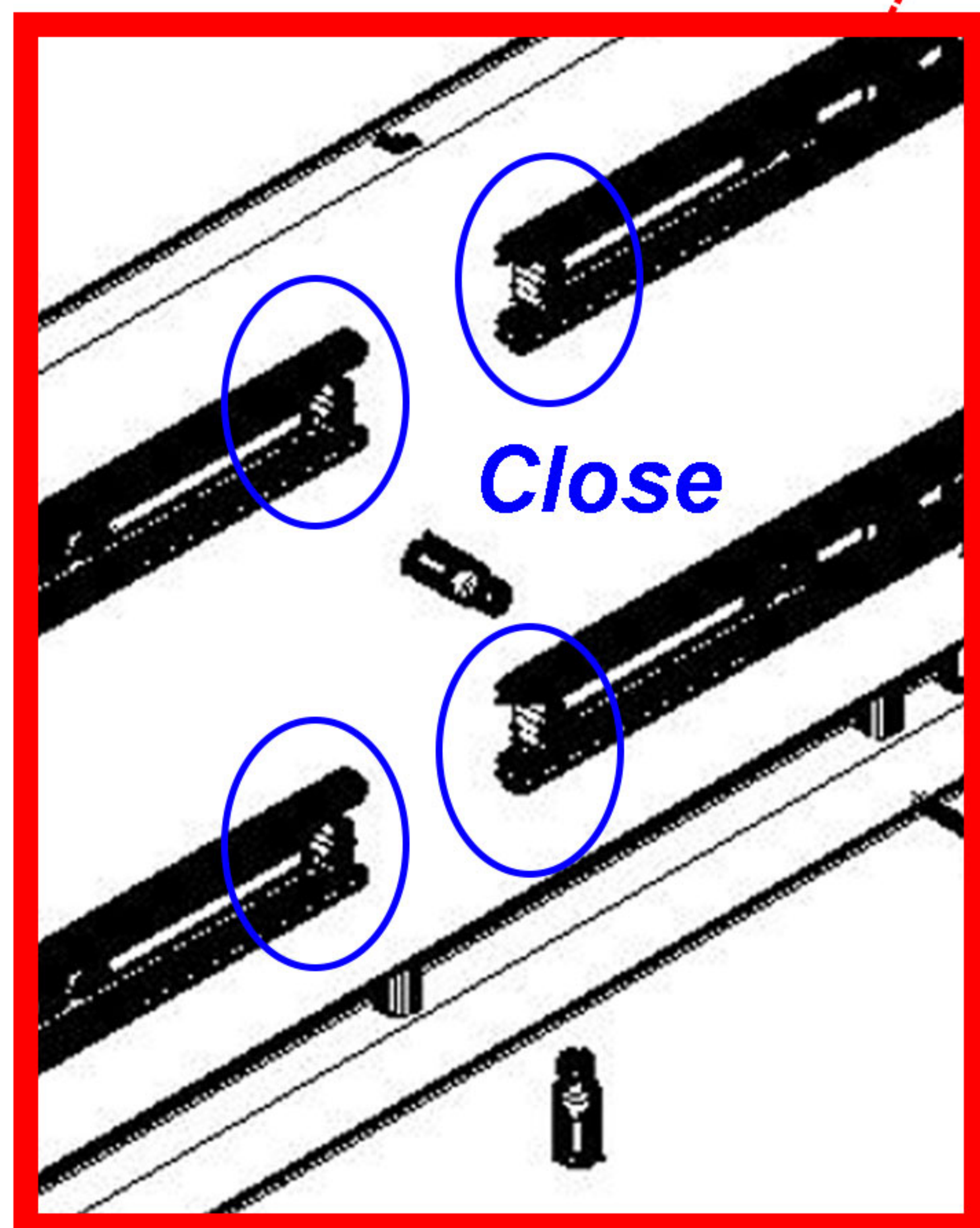
B



E

6

Step 5

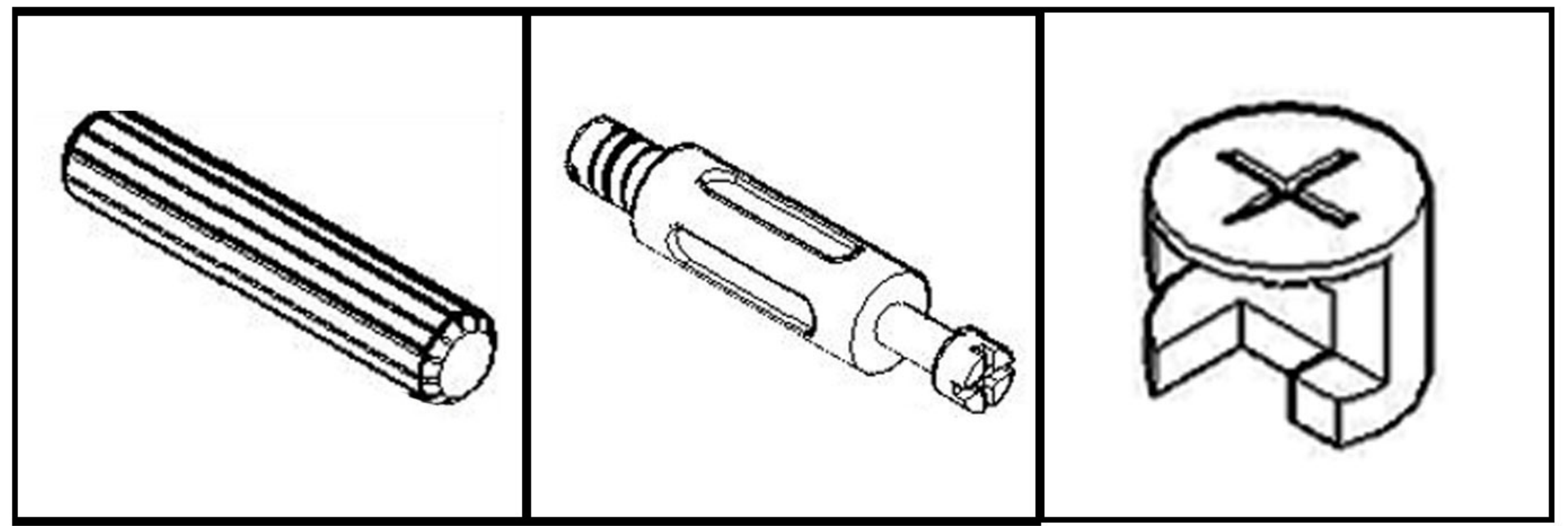


Close

The main body part of D x 4

Install the left and right slide rails symmetrically, with the open side facing outward.

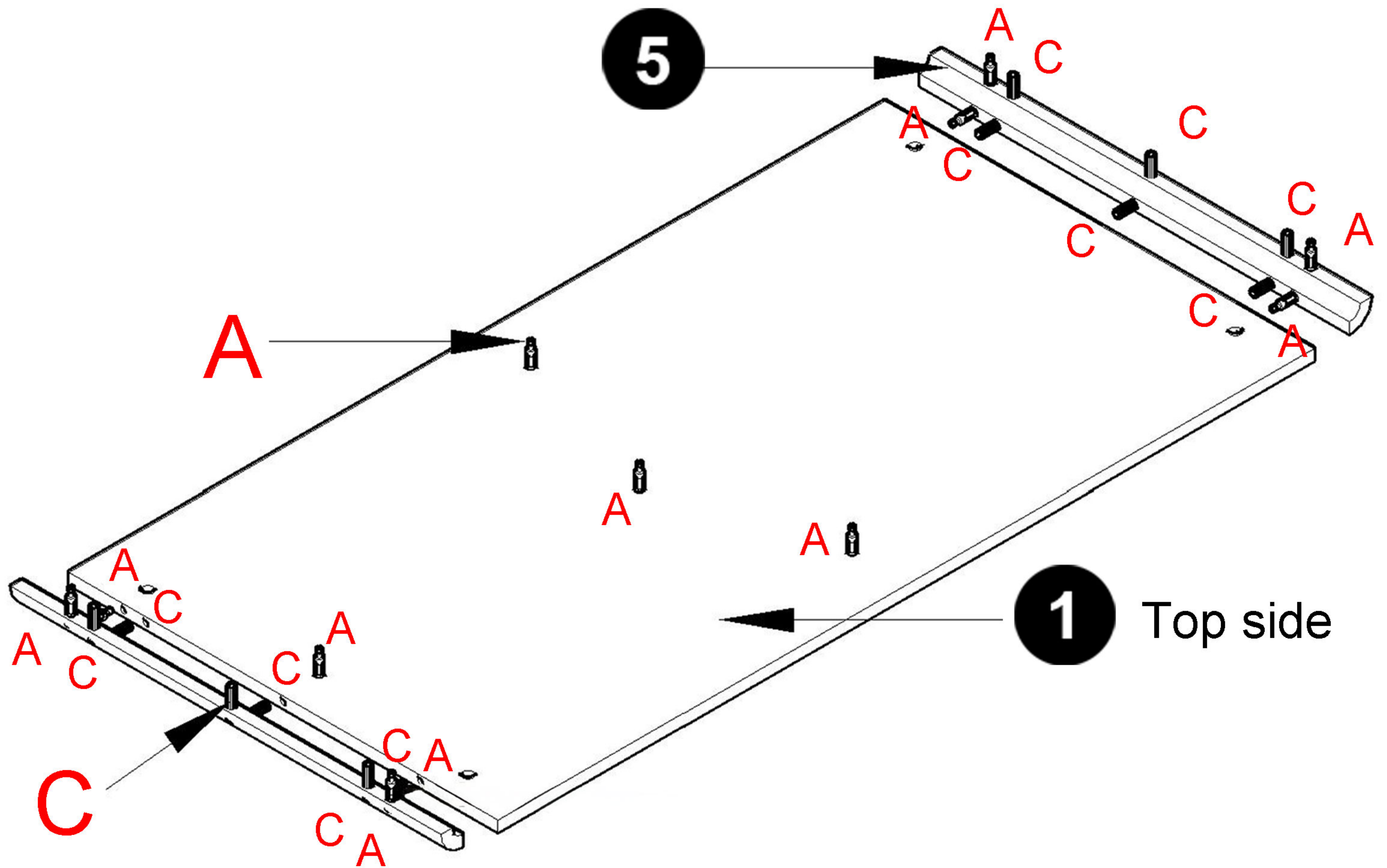
# Step 7:



C

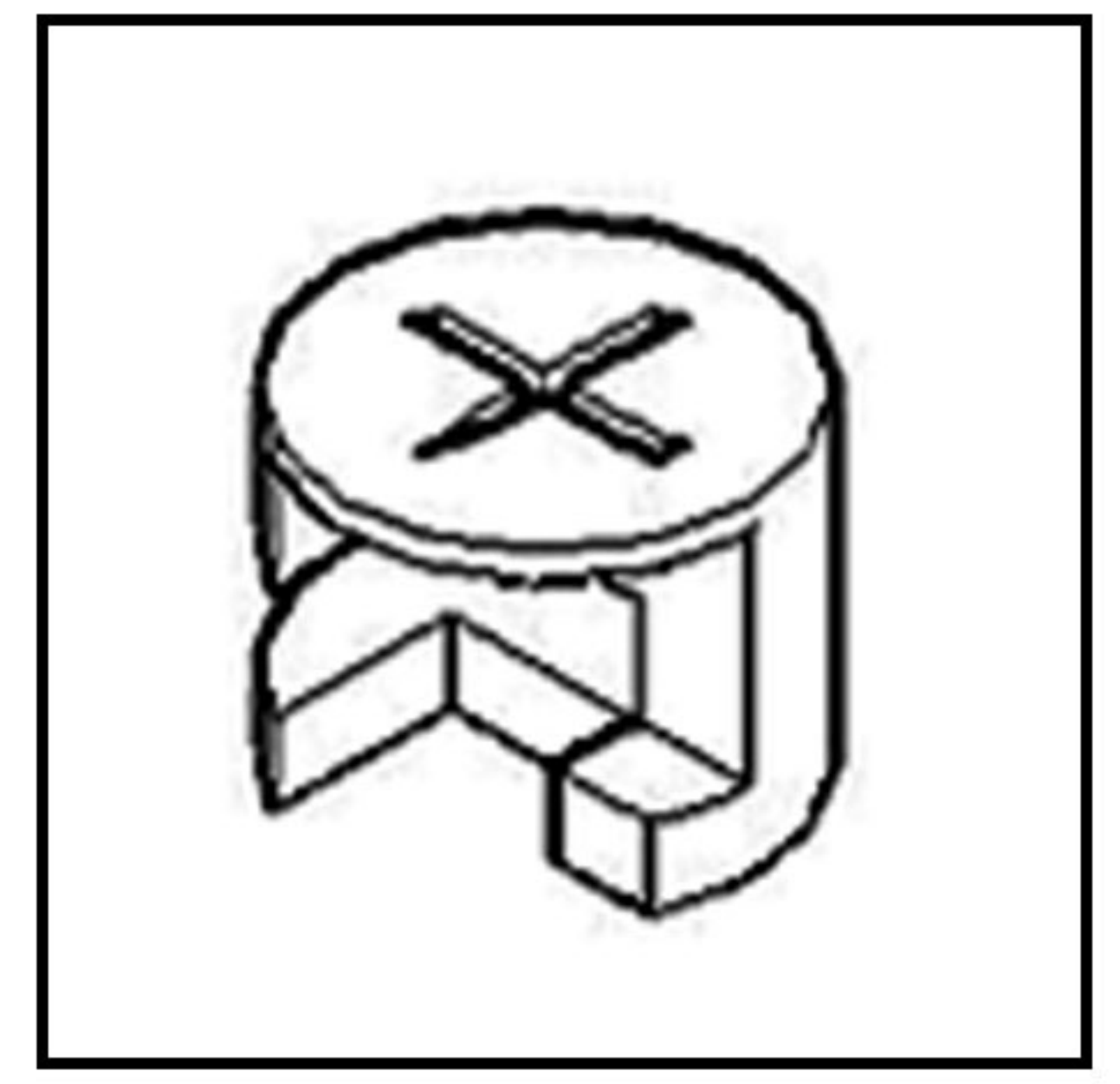
A

B



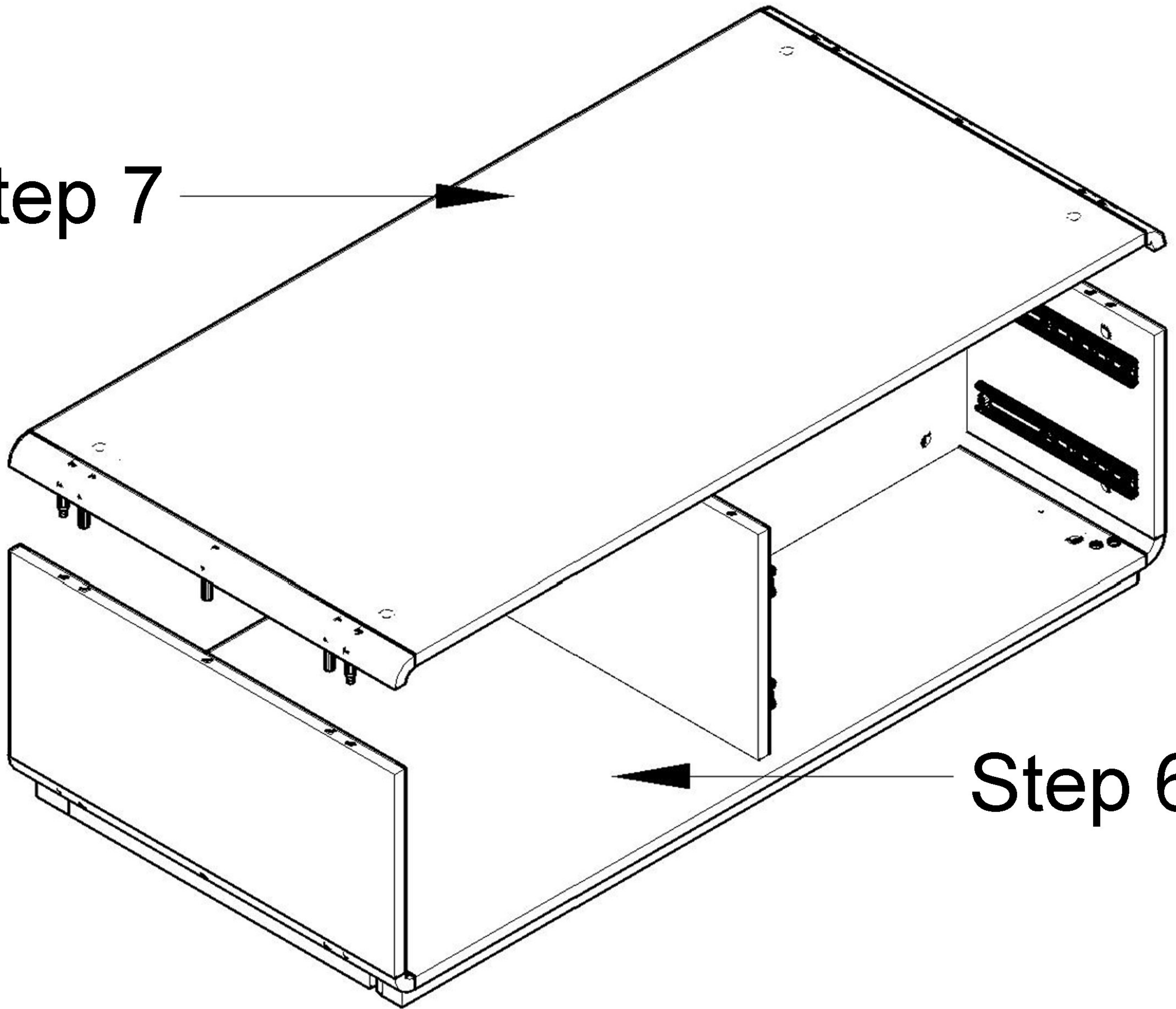
Secure with B.

# Step 8:



**B**

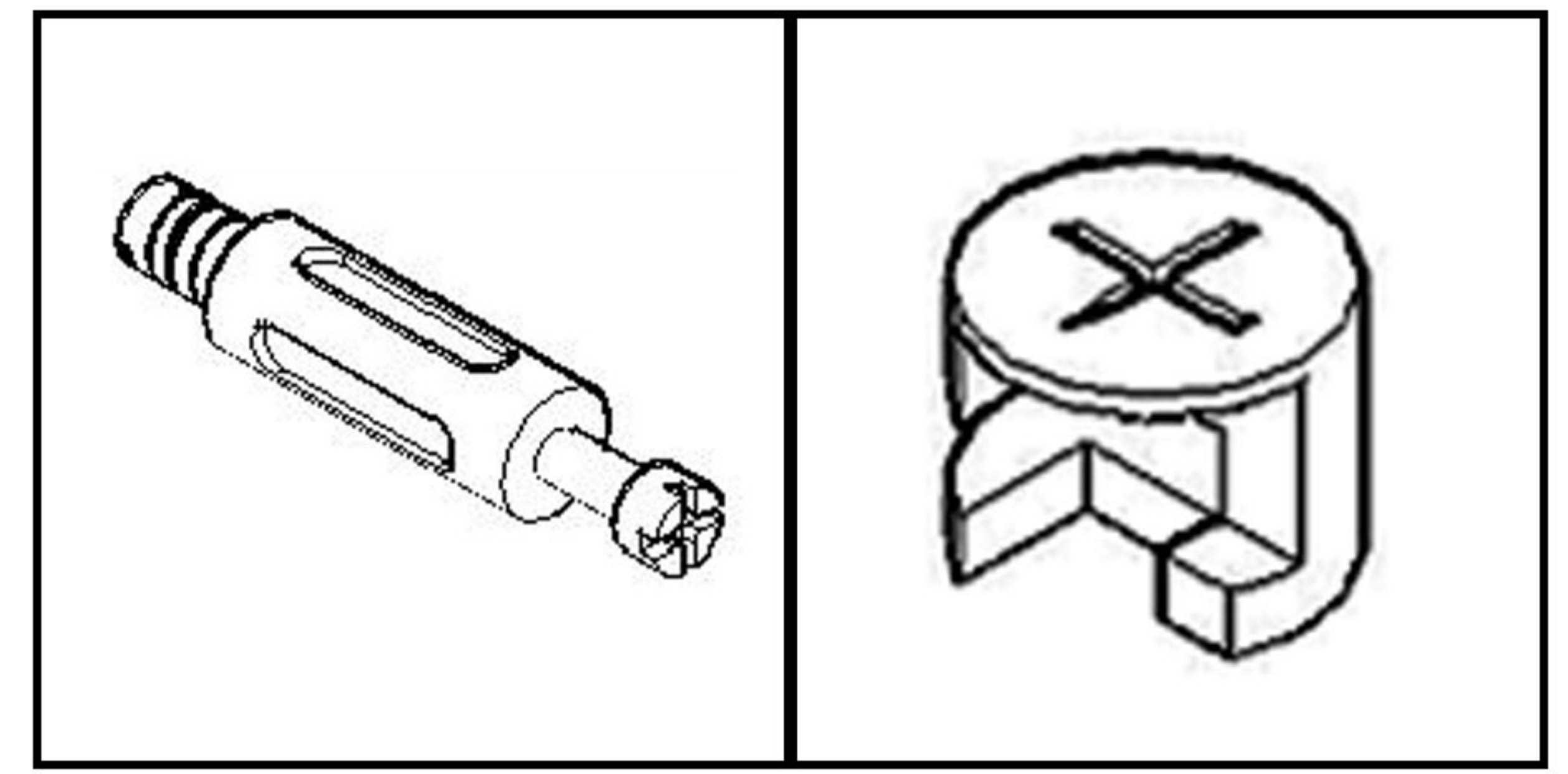
**Step 7**



**Step 6**

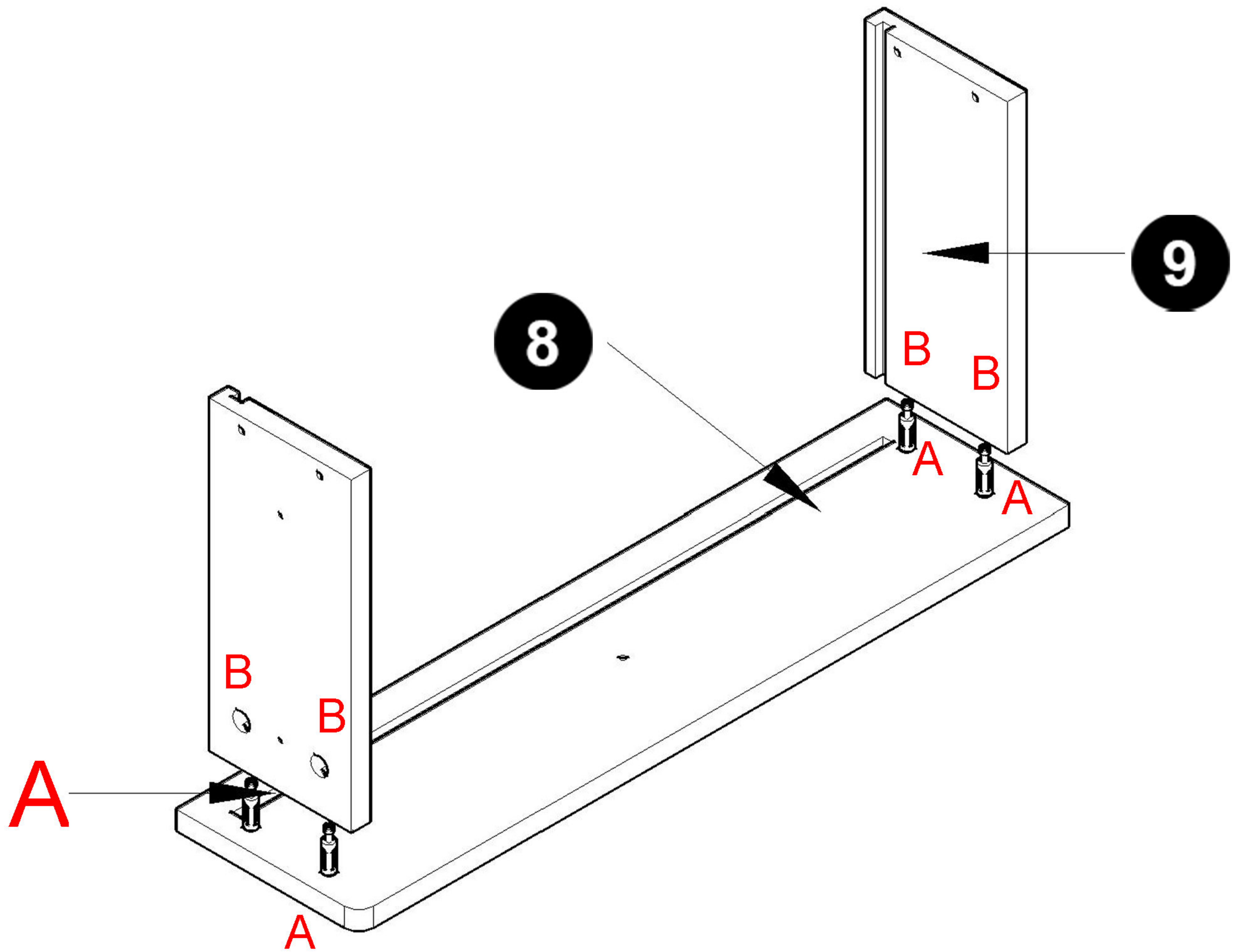
**Secure with B.**

# Step 9:



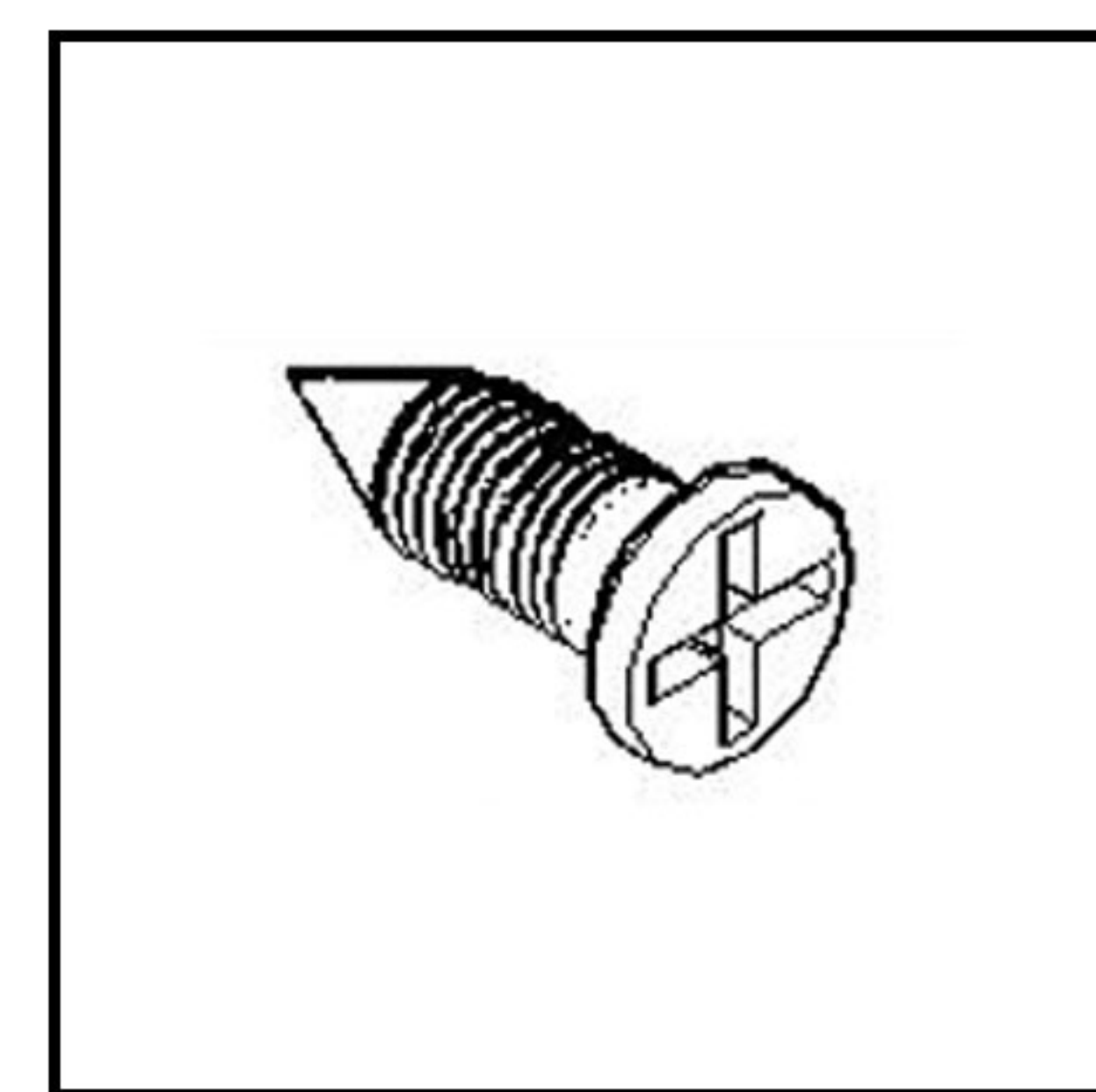
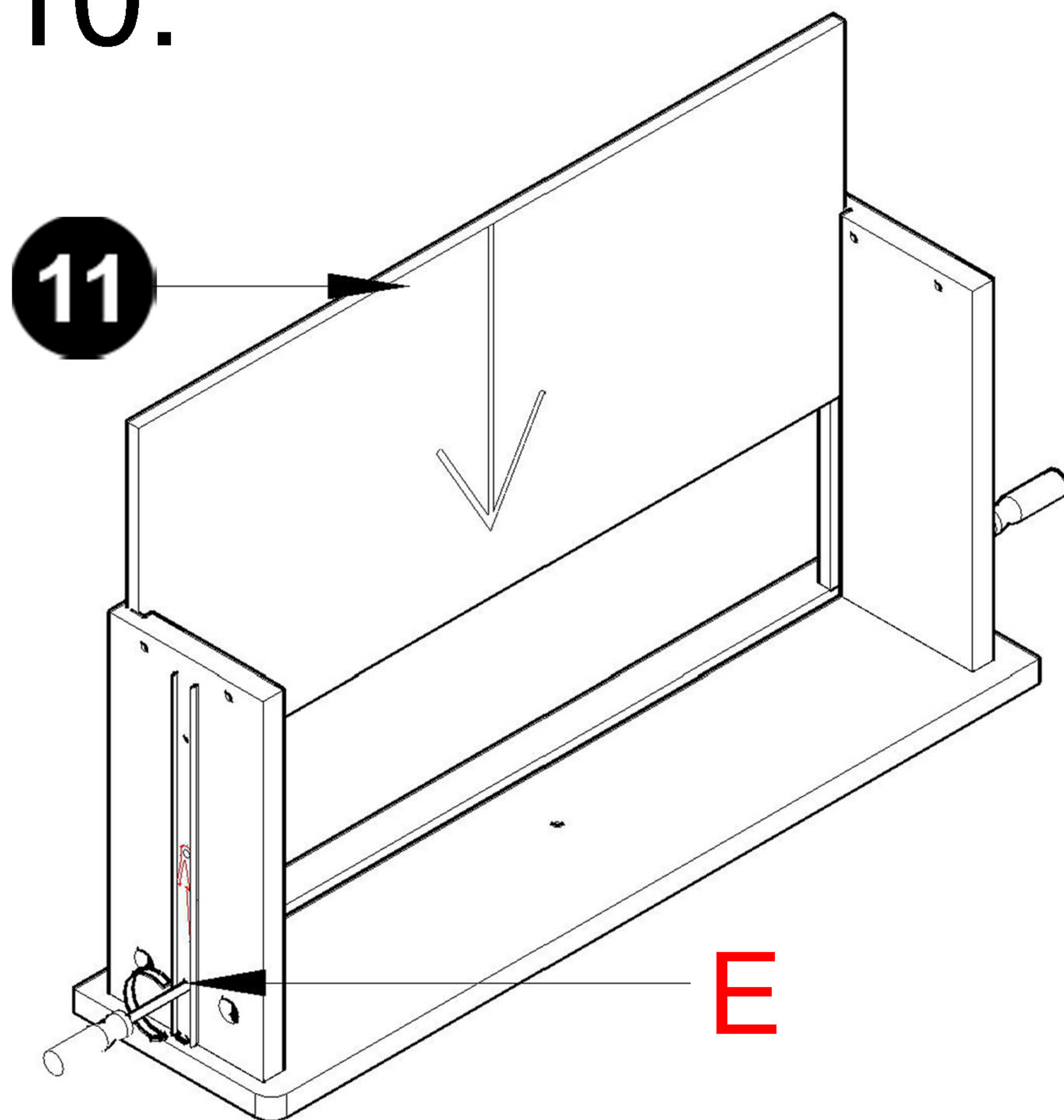
A

B

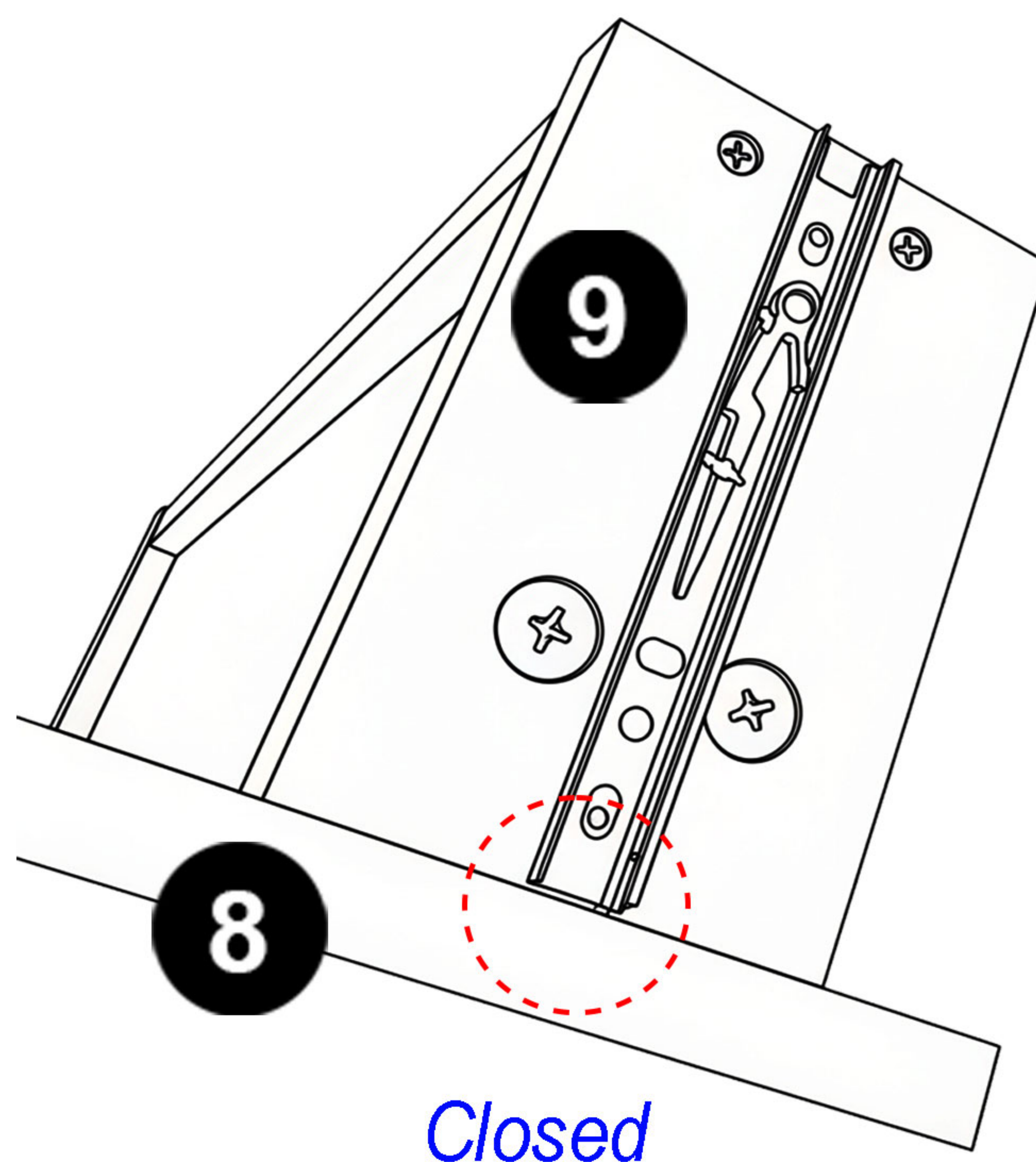


Secure with B.

# Step 10:

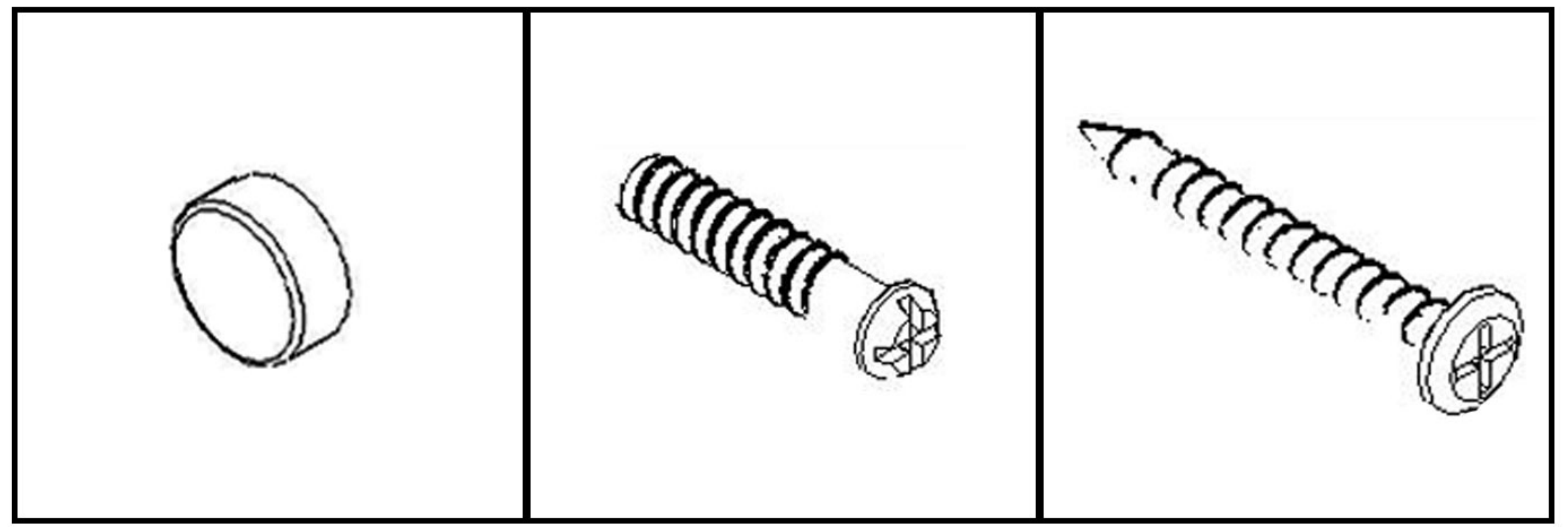


**E**



Note: The D pull-out part should be positioned with the closed side close to Panel No.8.

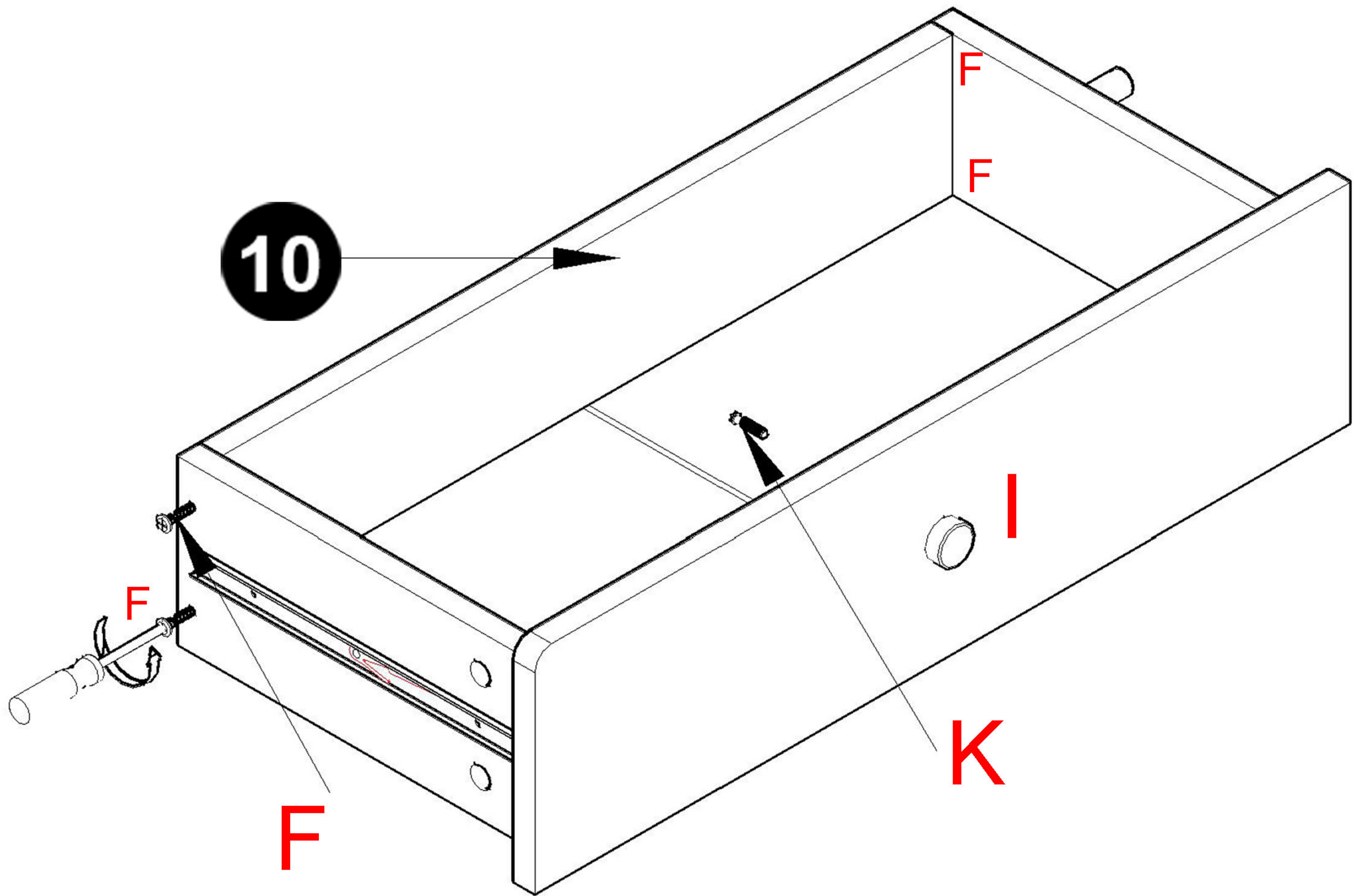
# Step 11:



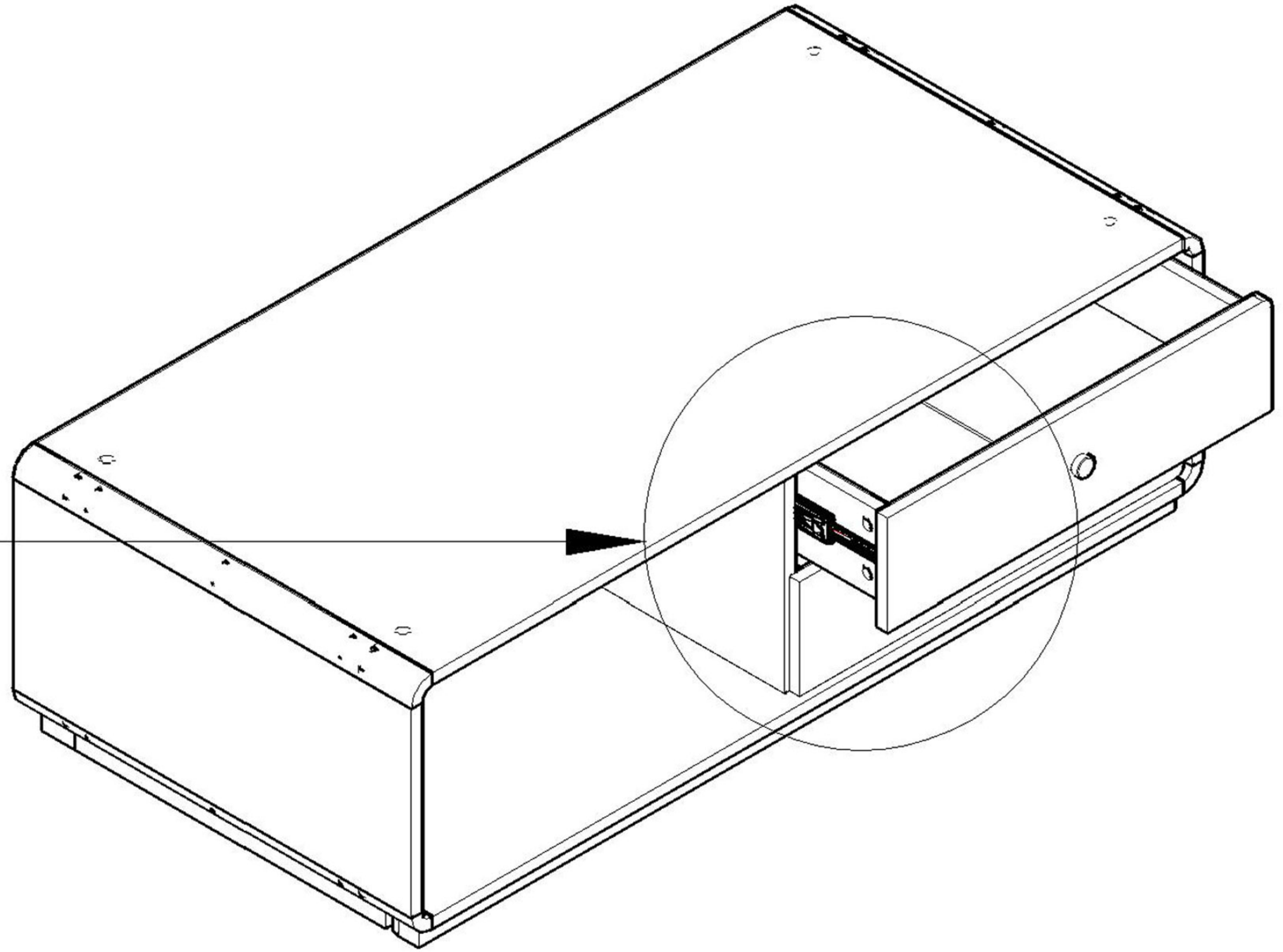
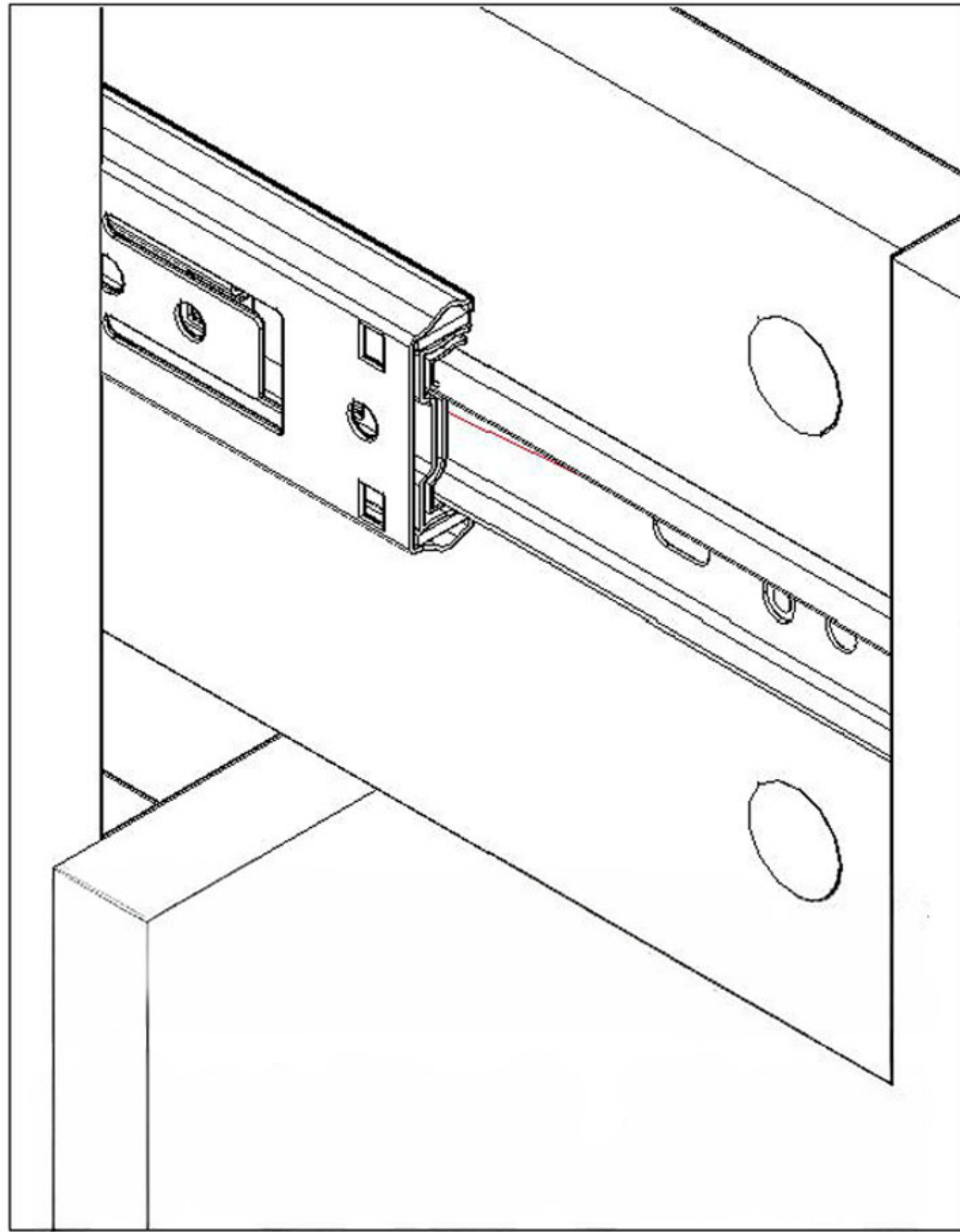
I

K

F

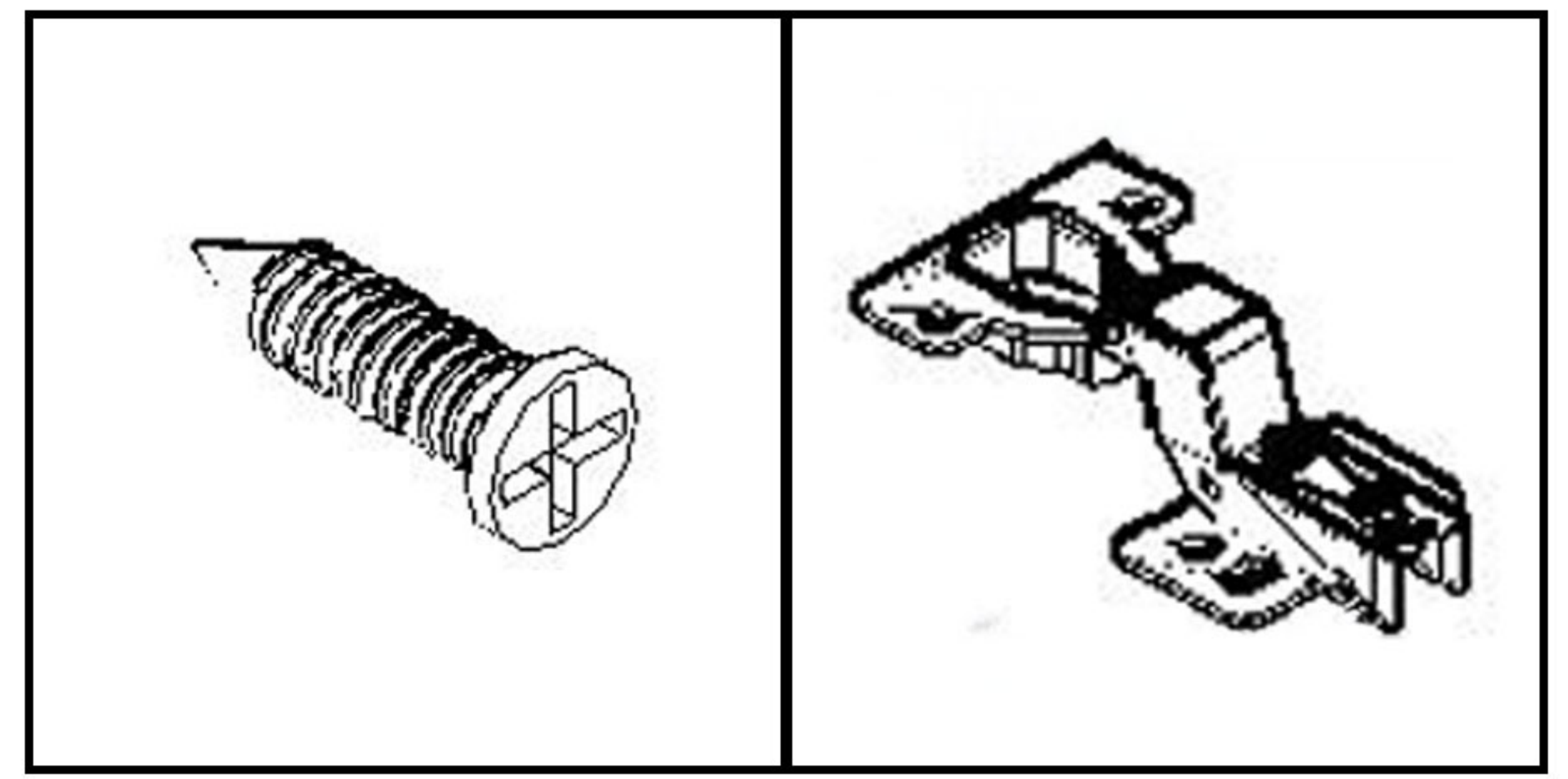


# Step 12:



Insert into the slots  
on both sides  
simultaneously

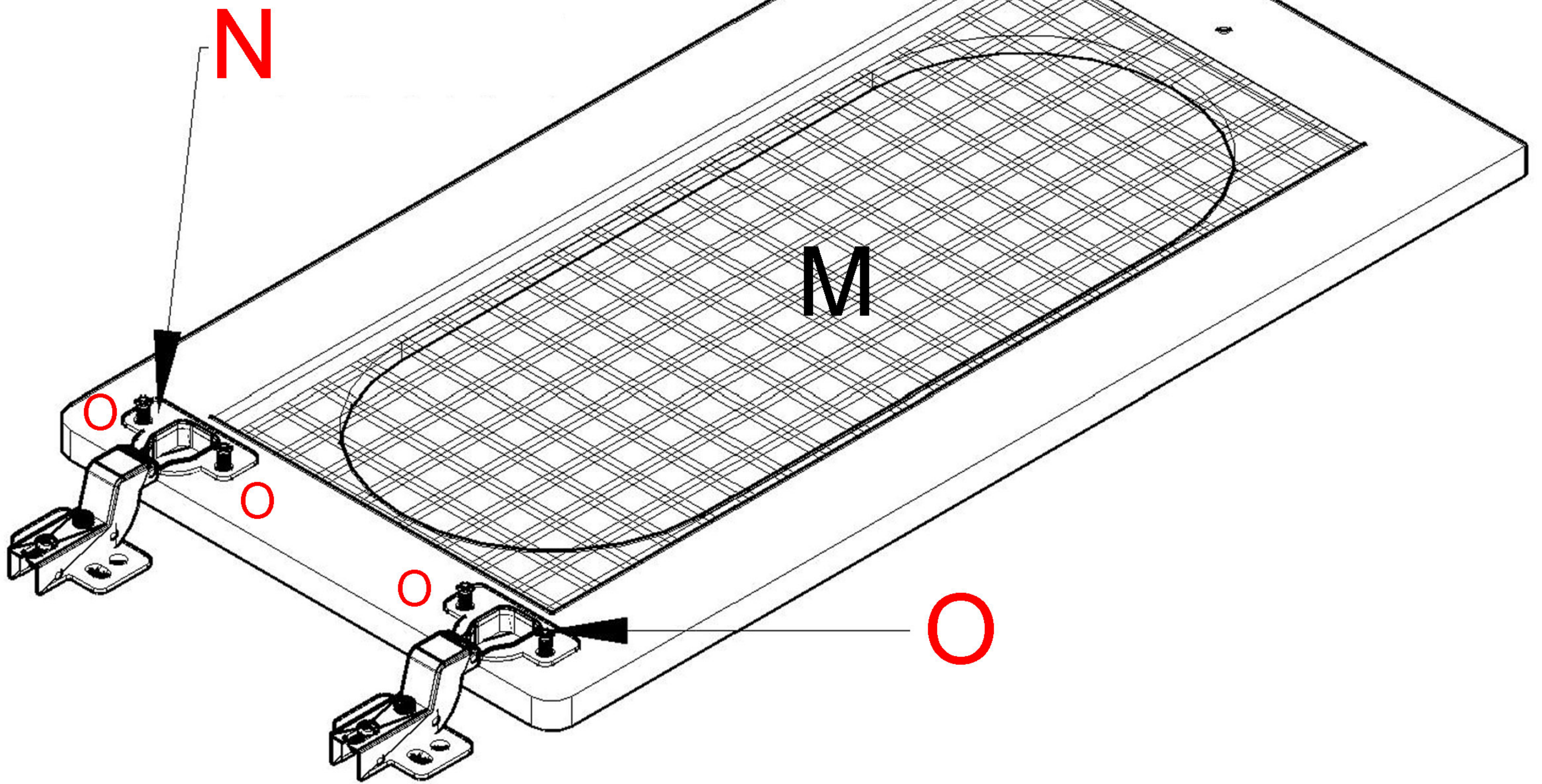
# Step 13:



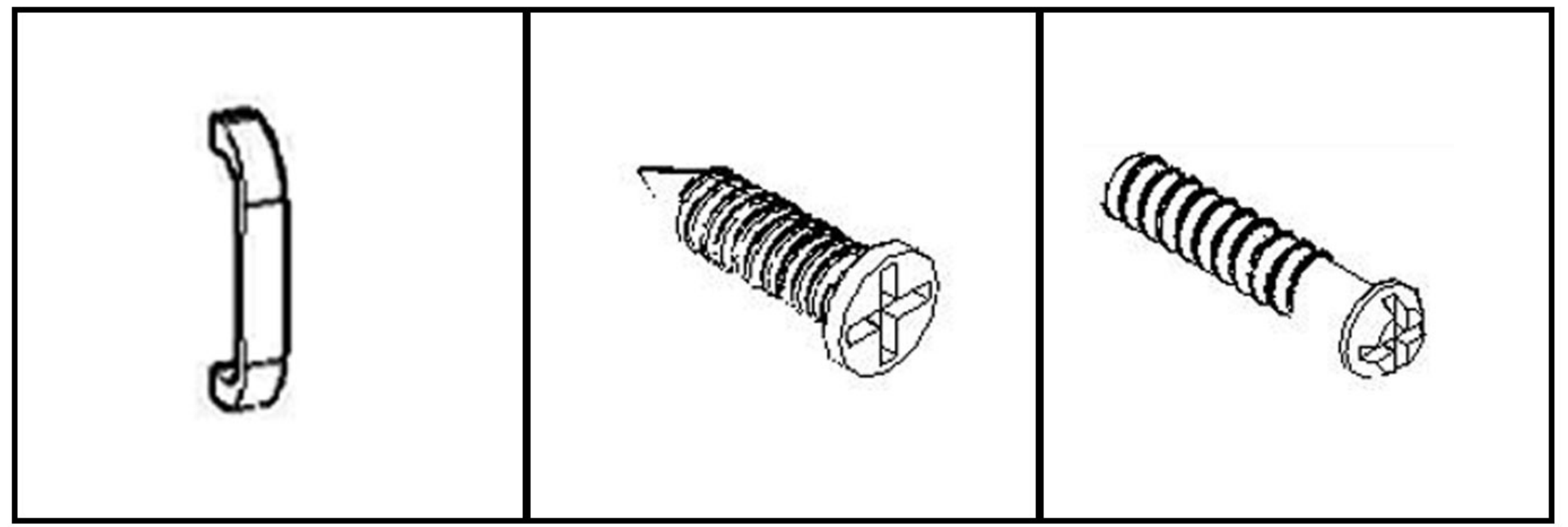
O

N

7



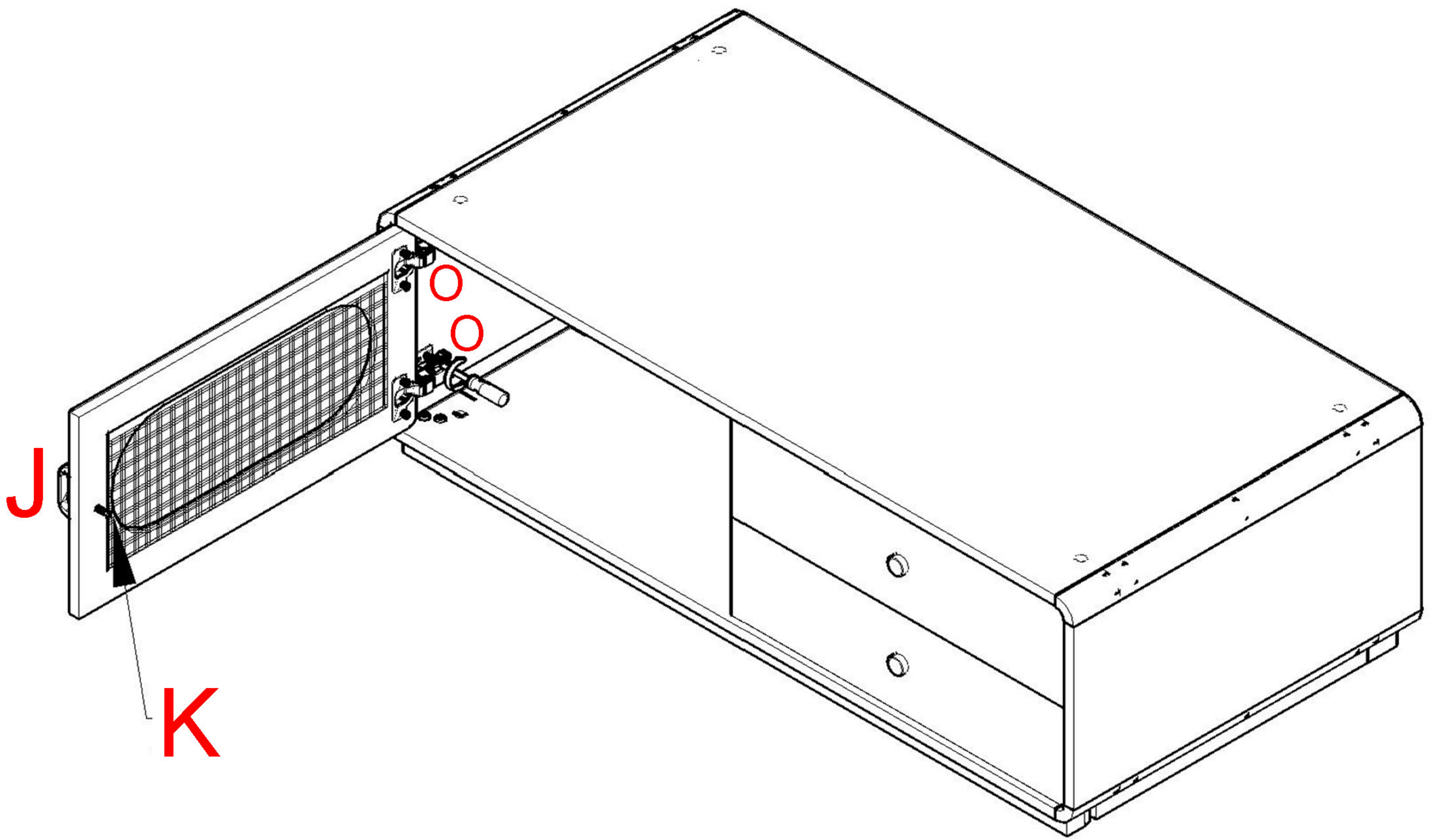
# Step 14:



J

O

K



# Installation finished

