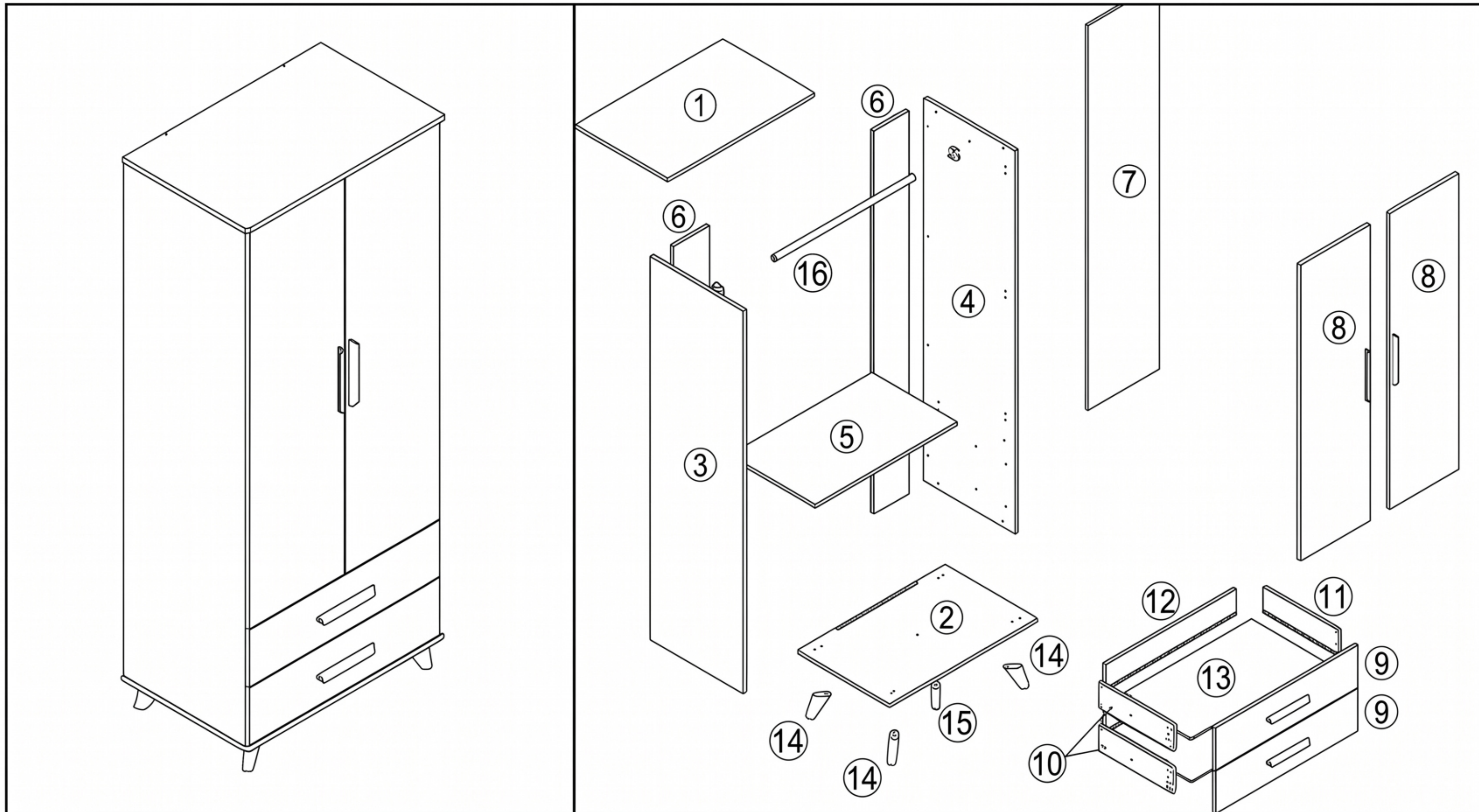


CC059 Wardrobe Installation Instructions

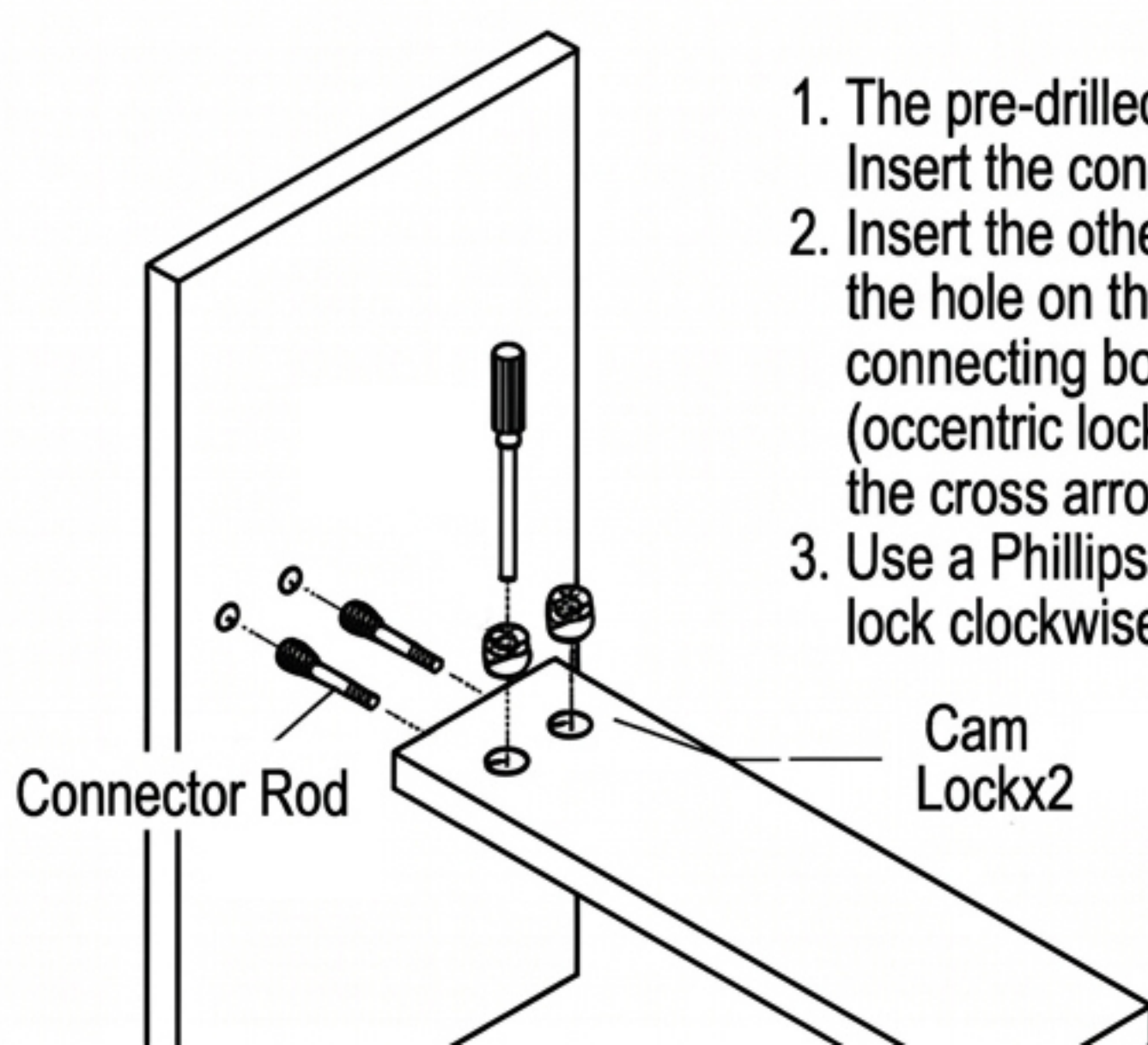


- ① Top Board ② Bottom Board ③ Left Side Board ④ Right Side Board ⑤ Right Board
- ⑤ Large Shelf Board ⑦ Back Support Bar ⑧ Door Panel ⑨ Drawer Front ⑨ Left Drawer Side
- ⑩ Left Drawer Side ⑪ Right Drawer Side ⑫ Drawer Shelf ⑬ Drawer Bottom ⑭ Side Leg
- ⑮ Middle Leg ⑯ Clothes Rod

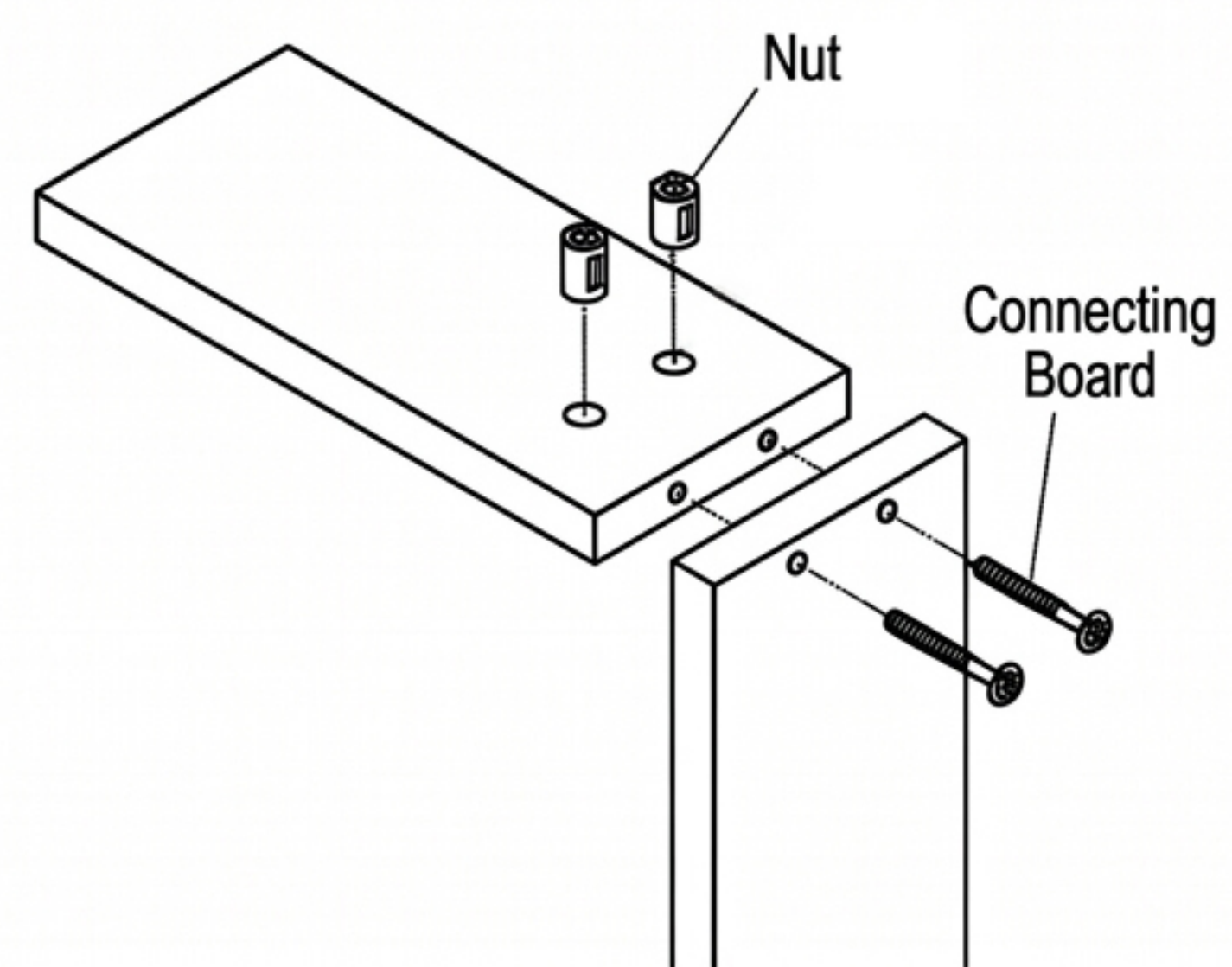
	(A)	(B)	(C)	(D)	(E)			(F)	(G)	(H)	(I)	(J)
Name	3-in-1 Connector	2-in-1 Connector	Hinge	Round Head Screw	Self-Tapping Screw			Handle	Handle Screw	Silent Drawer Slide	Rod Support	Foot Pad
Image												
Spec.	Ø12/L=40	Ø10/Ø5*45	Large Bend	Ø6*30	Ø3.5*14	Ø3.5*16	Ø4*25	192 Hole Spacing	Ø4*20	12"		
Qty	22 Sets	18 Sets	6 Pcs	9 Pcs	54 Pcs	5 Pcs	8 Pcs	4 Pcs	9 Pcs	2 Pairs	2 Pcs	7 Pcs

(A) 3-in-1 Assembly Instructions

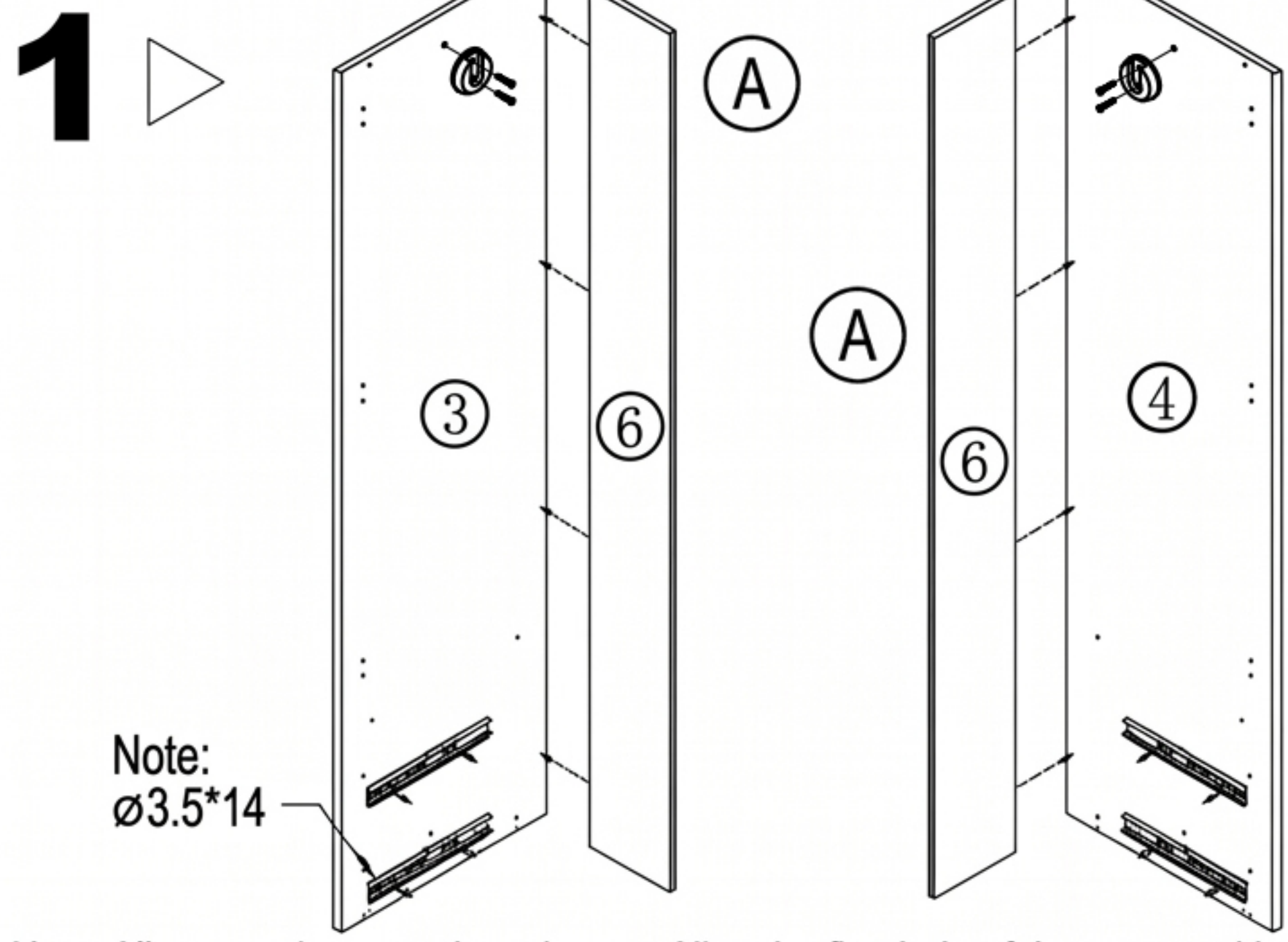
1. The pre-drilled hole has a diameter of Ø10. Insert the connector rod directly into this hole.
2. Insert the other end of the connector rod into the hole on the outer edge of another connecting board. Embed the cam lock (eccentric lock) into the Ø12 hole, ensuring the cross arrow aligns with the vertical hole.
3. Use a Phillips screwdriver to rotate the cam lock clockwise to complete the assembly.



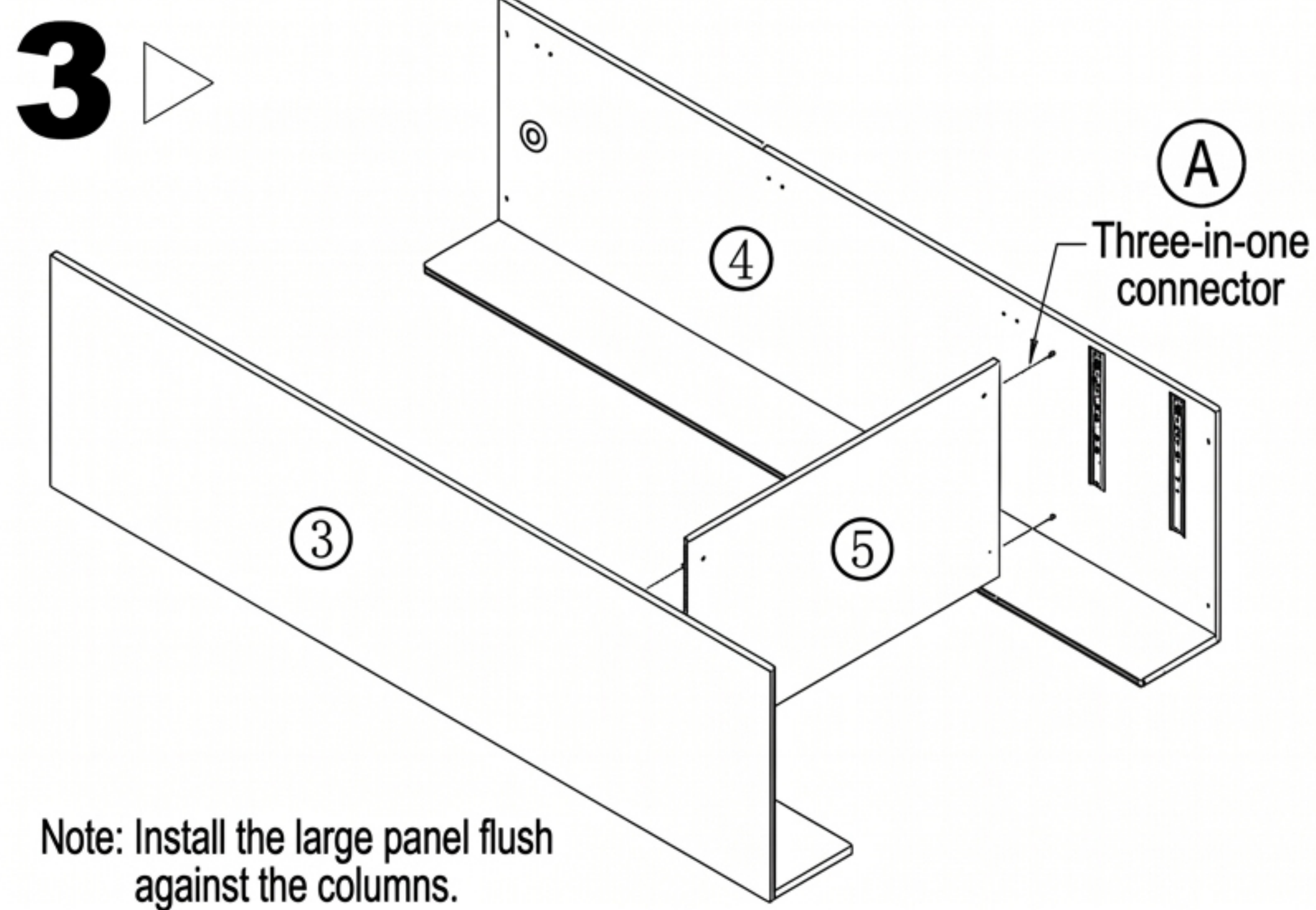
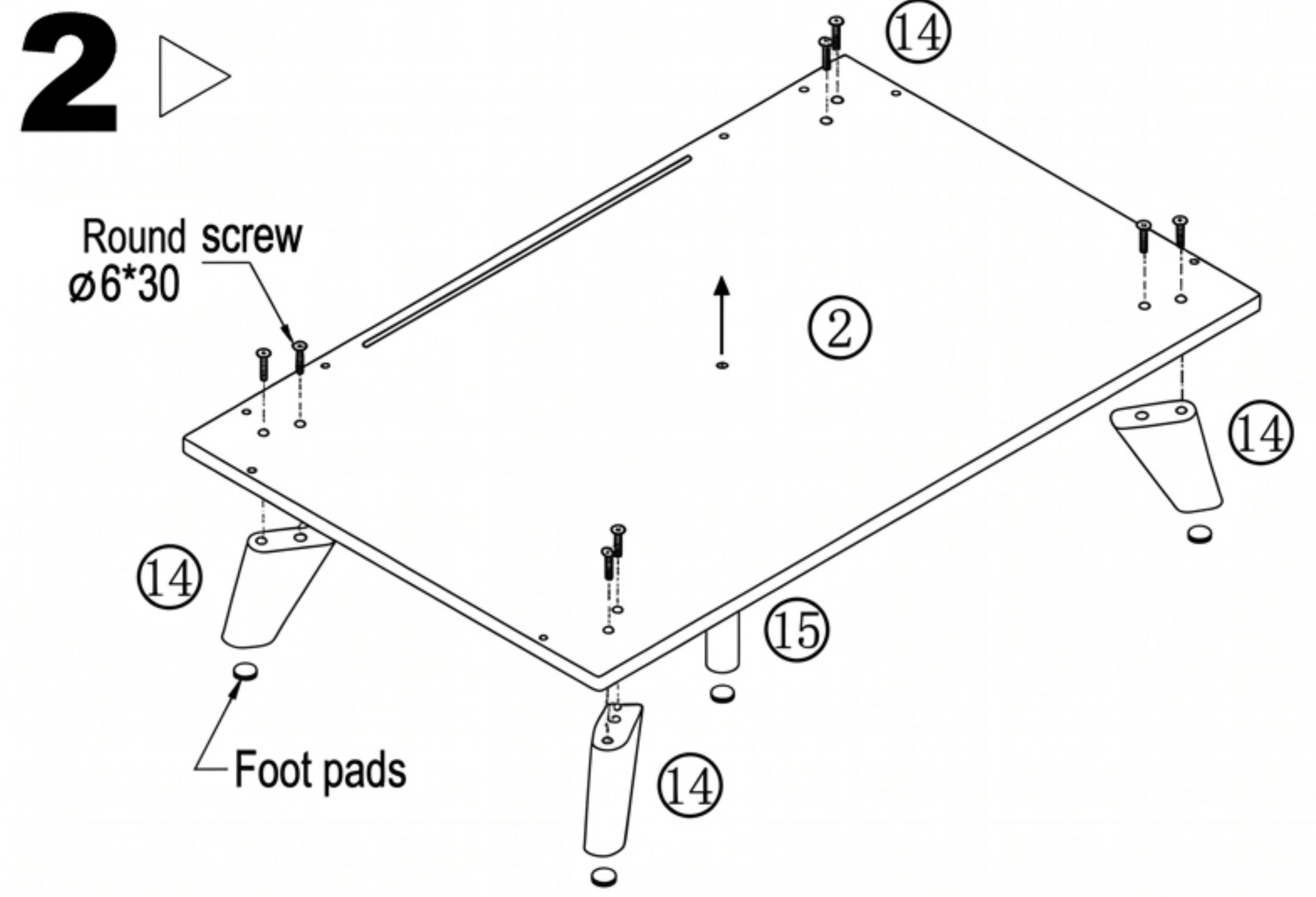
(B) 2-in-1 Assembly Instructions



Installation Steps



Note: All connections are three-in-one. Align the first hole of the runner with the pilot hole.



Note: Install the large panel flush against the columns.

