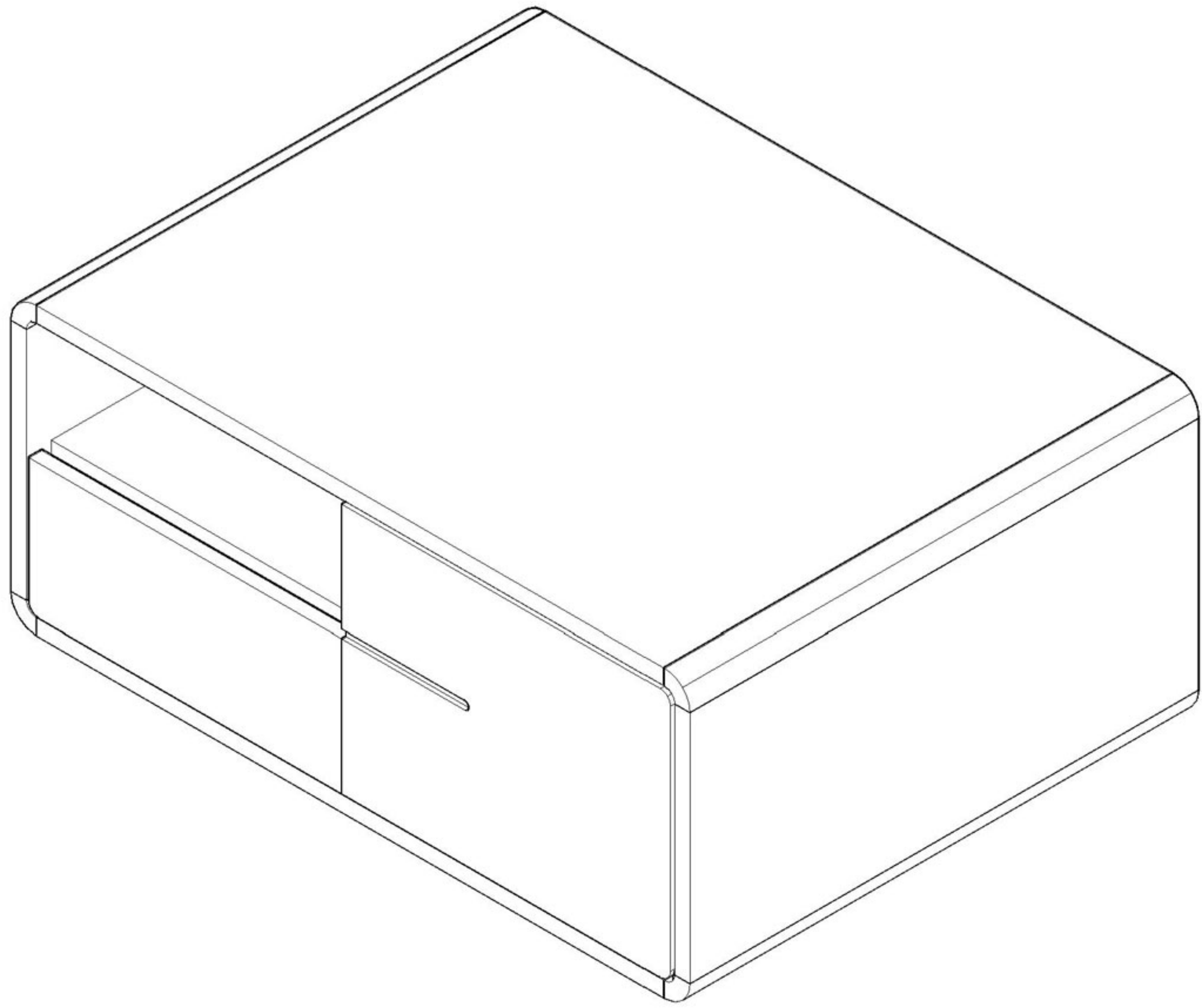
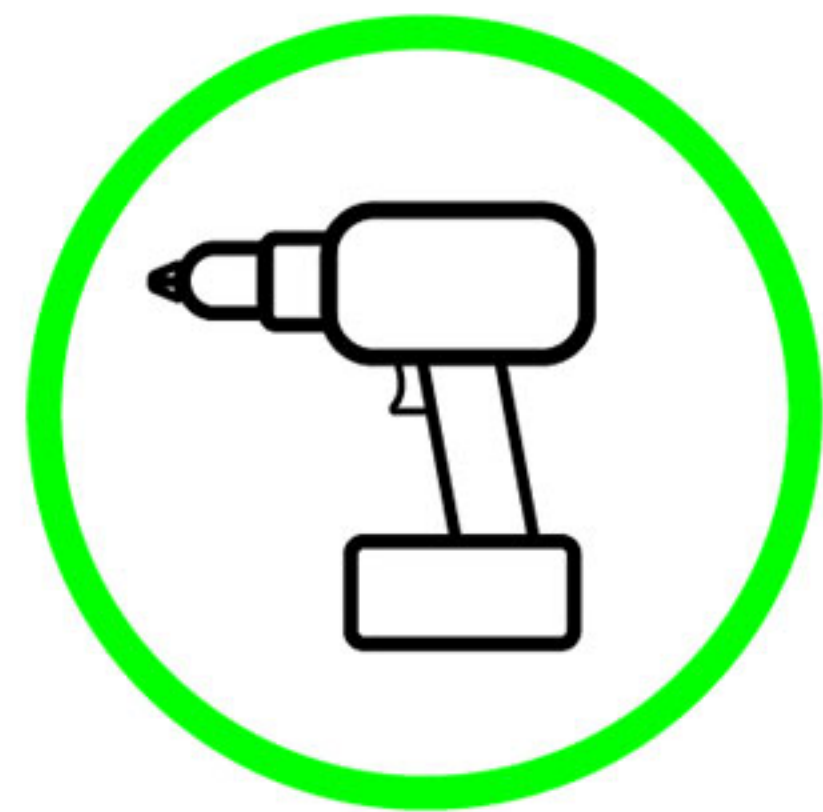


# EDB045

## Installation Instruction



Scan the code to purchase ES001



Please read this instruction manual carefully before installation and use.

### Assembly notes:

1. First, make sure that all panels and parts are not damaged or missing.
2. During the installation process, be careful not to bump or scratch the panel surface.
3. Please read the instructions carefully before installation and install in order.
4. Please use each screw accessory strictly according to the instructions.
5. The slide needs to be split into two parts when in use. For the splitting method, see the slide instructions.
6. Please keep the packaging box in case of any problems. You can check the product model and production batch number printed on the outside of the packaging box.

### Precautions after assembly:

1. After installation, check whether all parts are installed and the locks are locked.
2. Check the overall stability of the cabinet to see if there is any vibration.
3. When using the lock, do not use excessive force to avoid damage to the lock. Just turn it clockwise until it cannot turn.

**NOTE: ES001 - 3 Speed Portable Cordless Electric Screwdriver is highly recommended for installation.**

### Hardware List

Accessory Appearance	Code	Dimensions	Numbers	Unit	Accessory Appearance	Code	Dimensions	Numbers	Unit
	A	φ7*40mm	32	Piece		F	120mmHeight	4	Piece
	B	φ15*12mm	64	Piece		G	--	4	Piece
	C (With Plug)	φ7*40mm	32	Piece		H	φ8*40mm	4	Piece
	D	φ3.5*14mm	40	Piece		I	φ8*40mm	16	Piece
	E	φ3.5*35mm	8	Piece		J	250mmLength	2	Pair
	L		1	Piece		K	Non-slip pad	5	Piece

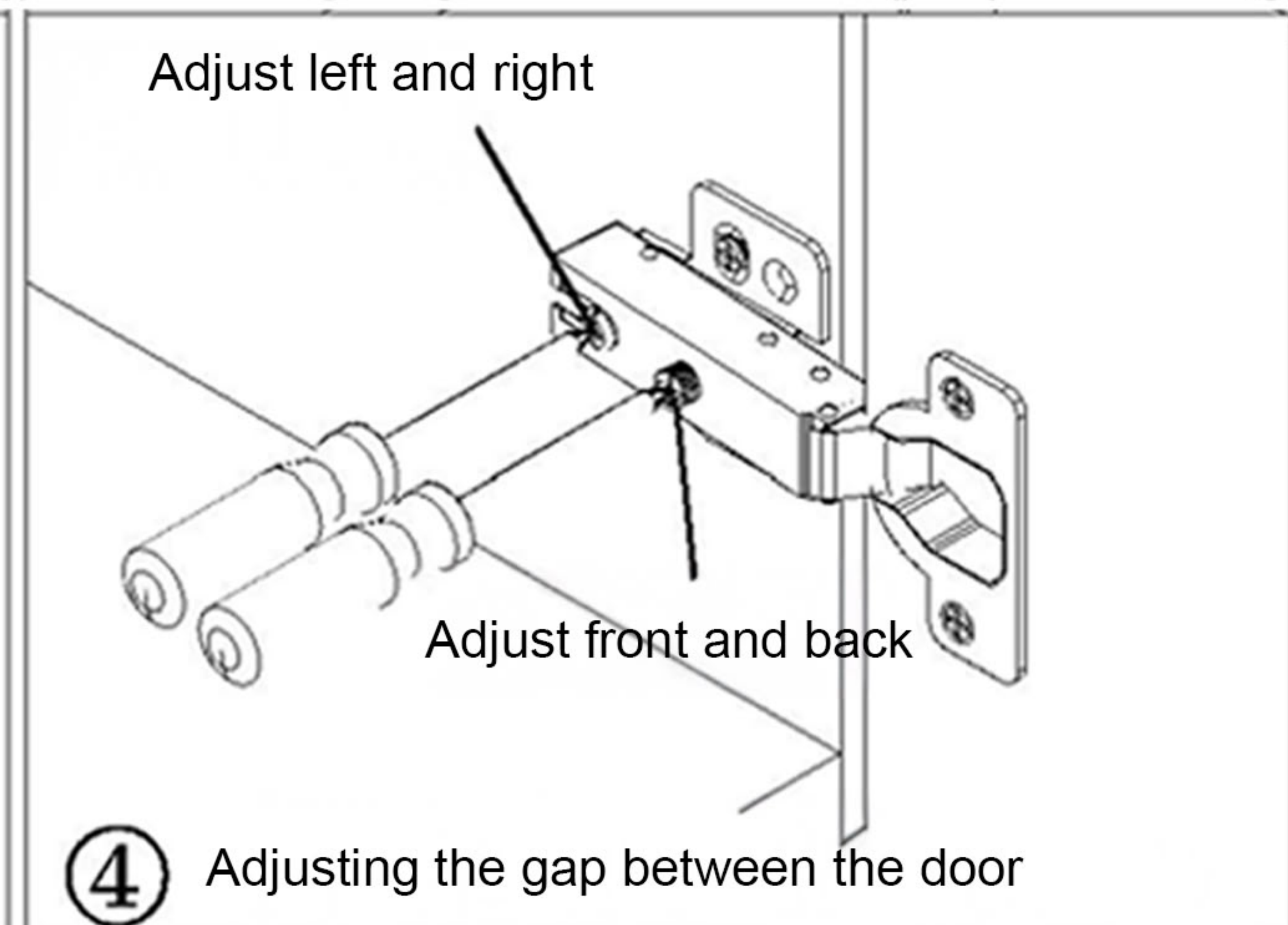
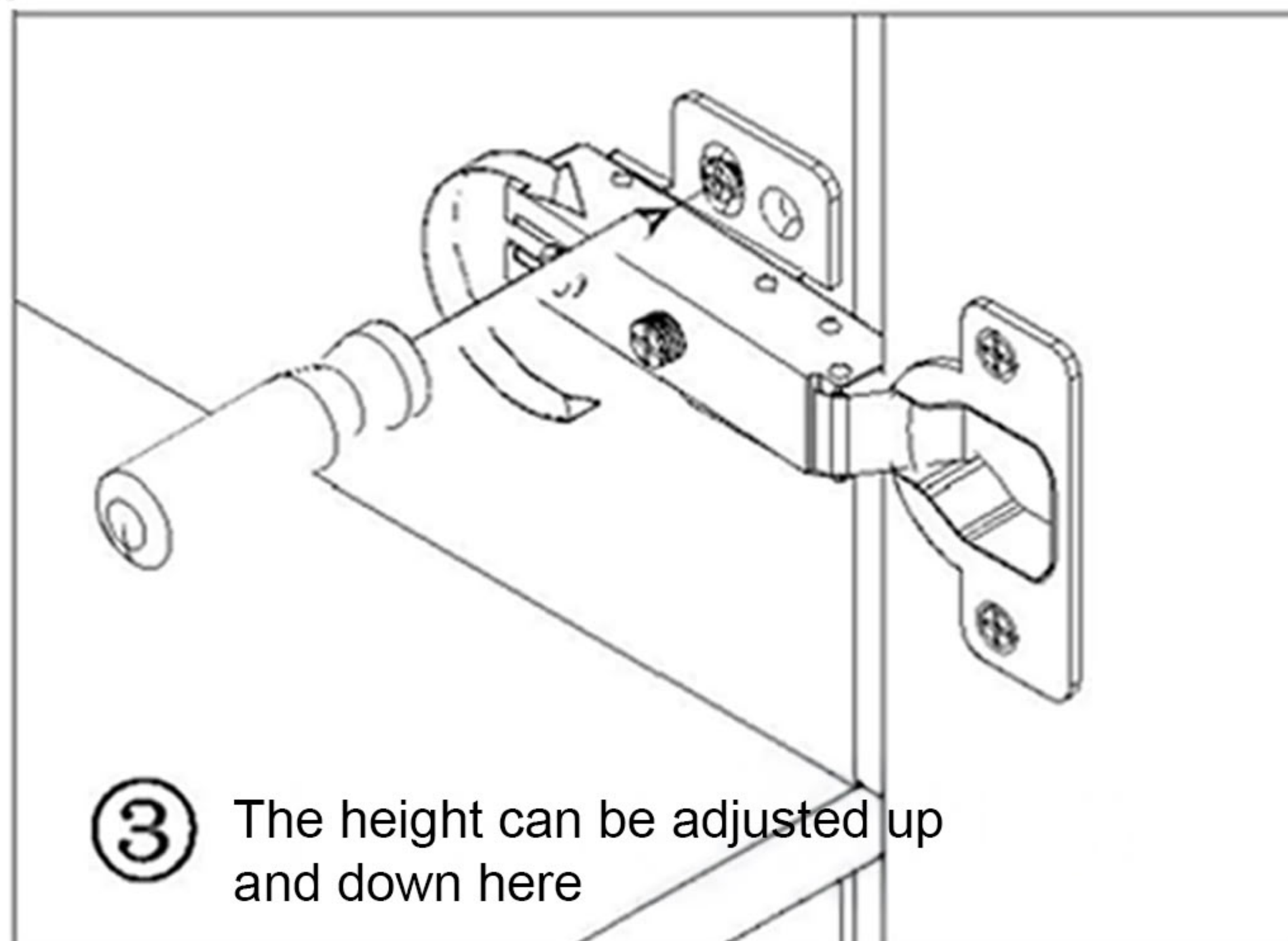
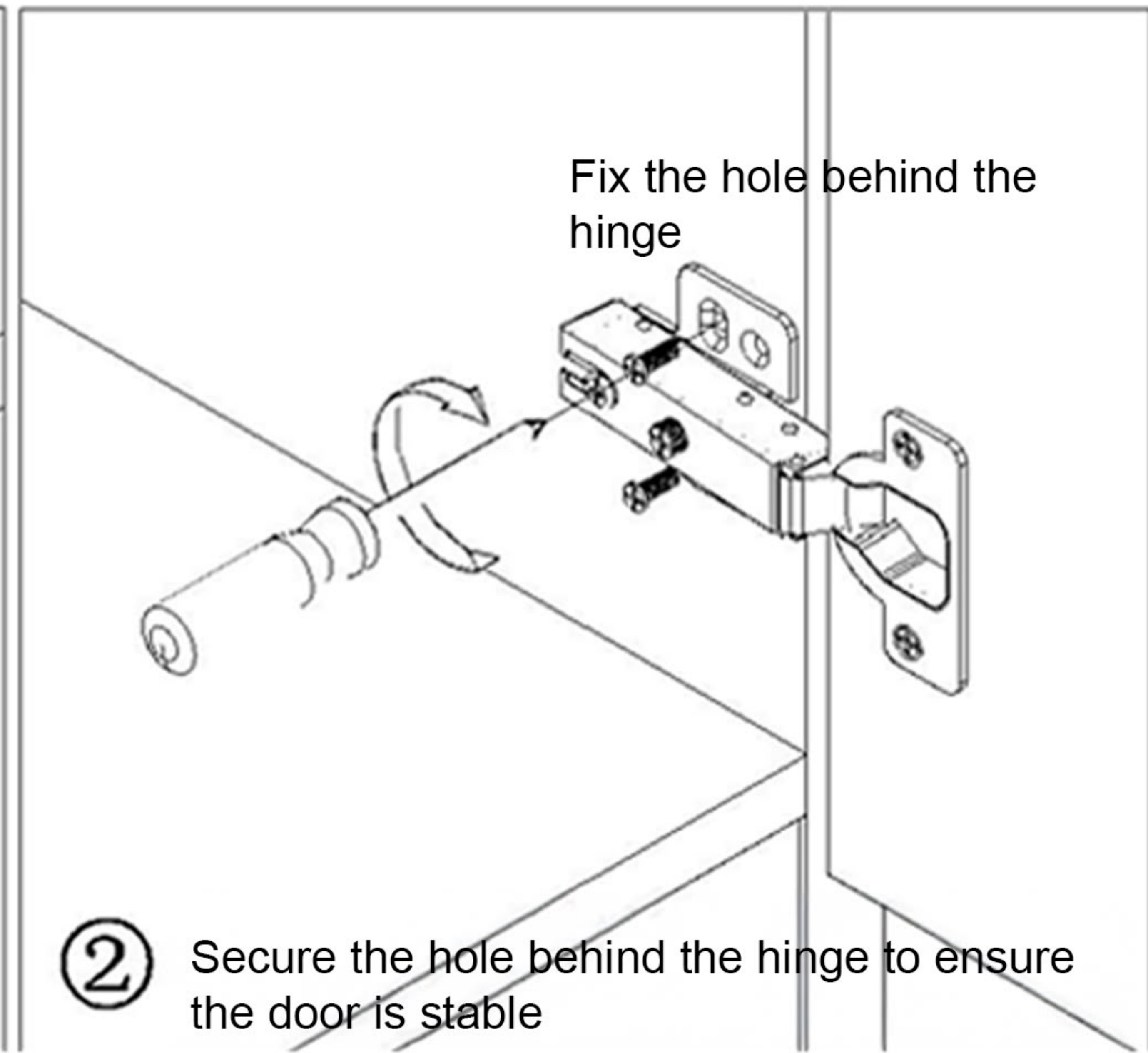
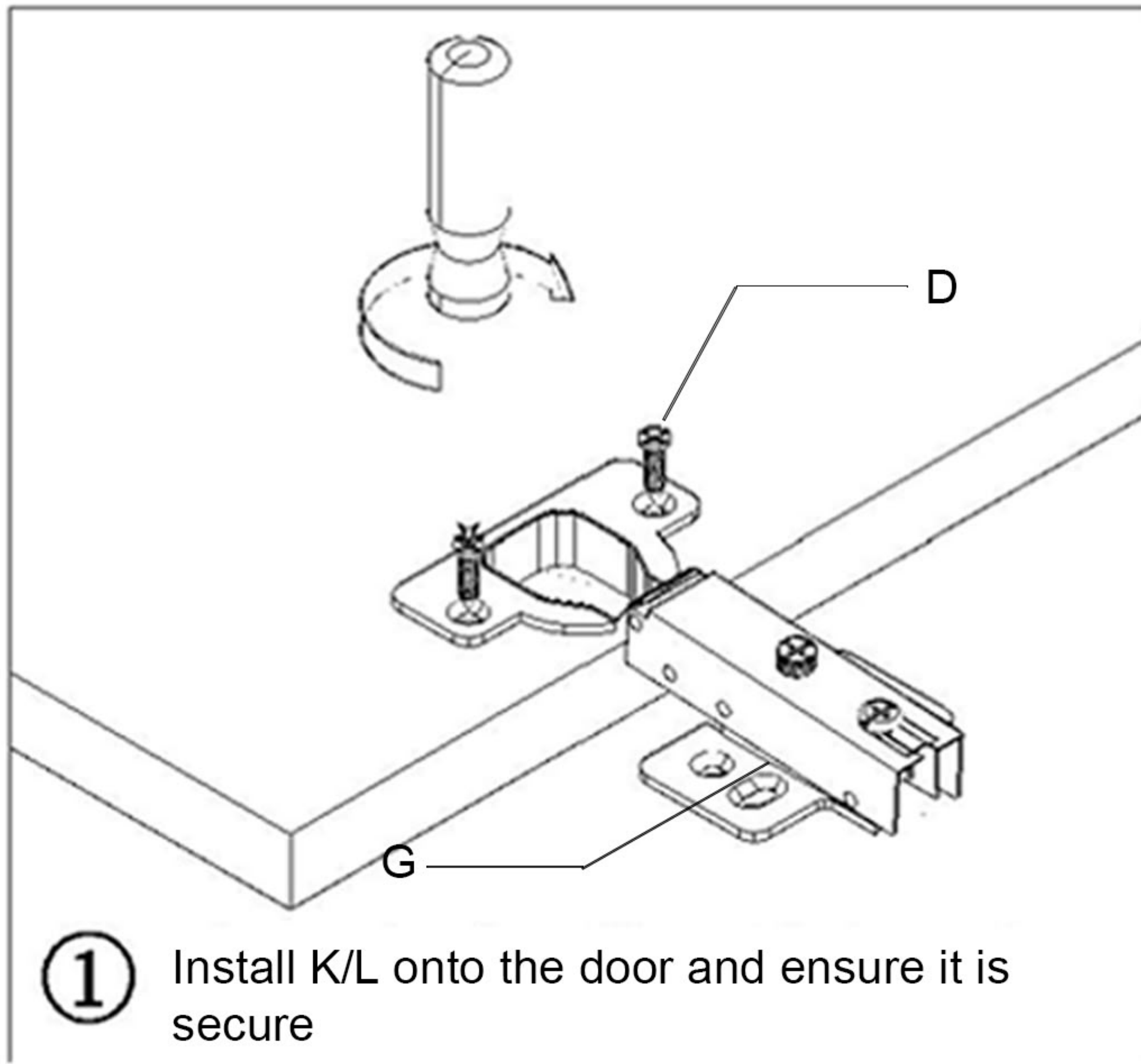
### BoardMaterial List

Code	Dimensions(mm)	No.	Code	Dimensions(mm)	No.
①	600*30*30	4	⑦	762*299*15	1
②	738*598*18	1	⑧	384.5*293*15	2
③	738*598*18	1	⑨	367.5*156*15	2
④	275*598*18	2	⑩	115*250*15	4
⑤	299*261.5*15	2	⑪	319.5*115*15	2
⑥	372.5*261.5*15	2	⑫	329.5*242*8	2

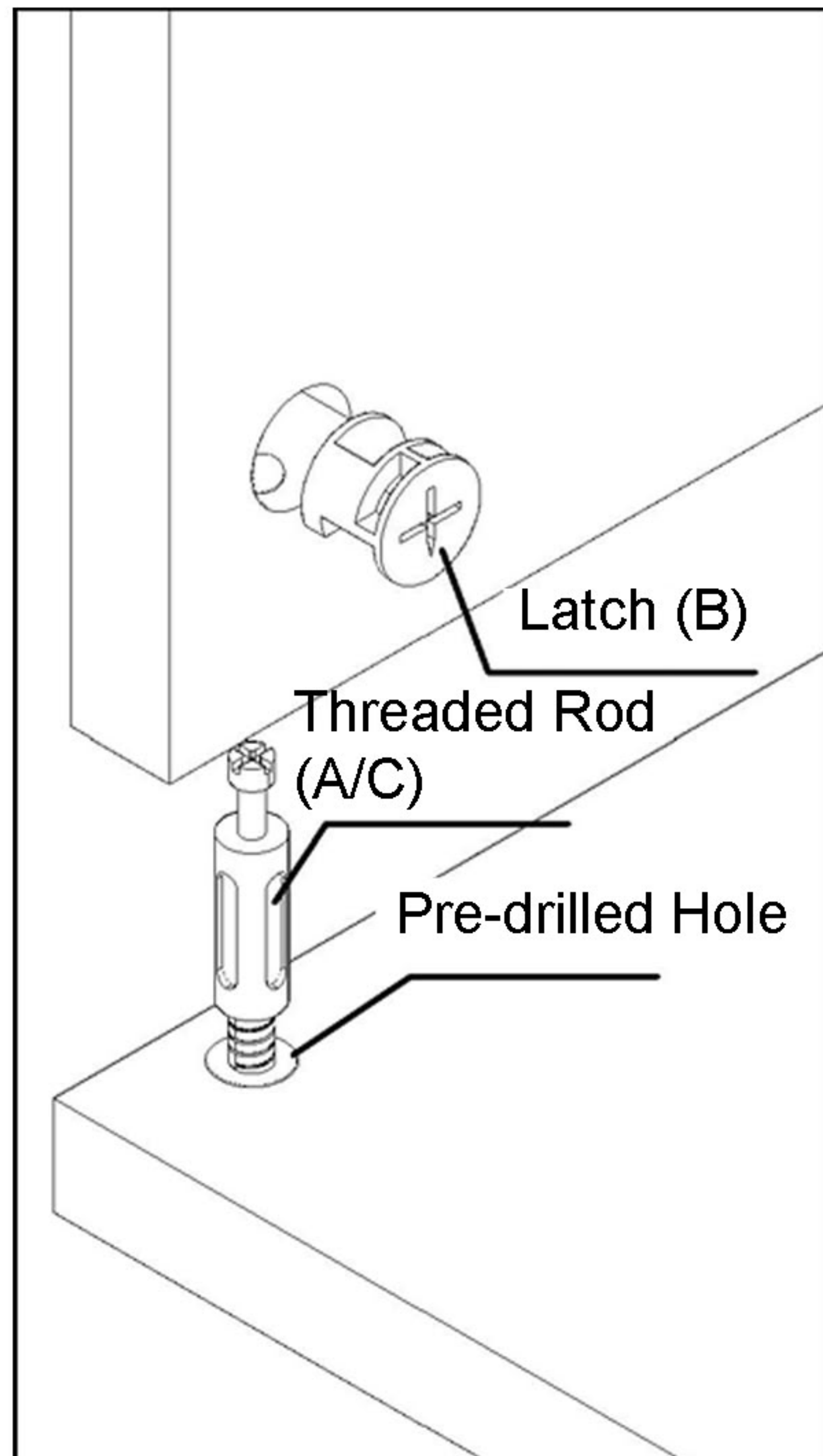
# Detailed description of the main components, please read carefully

## G (Hinge) Installation Instructions

Install the hinge with screw **D**



## Installation Guide: Threaded Rod, Latch, Pre-drilled Hole

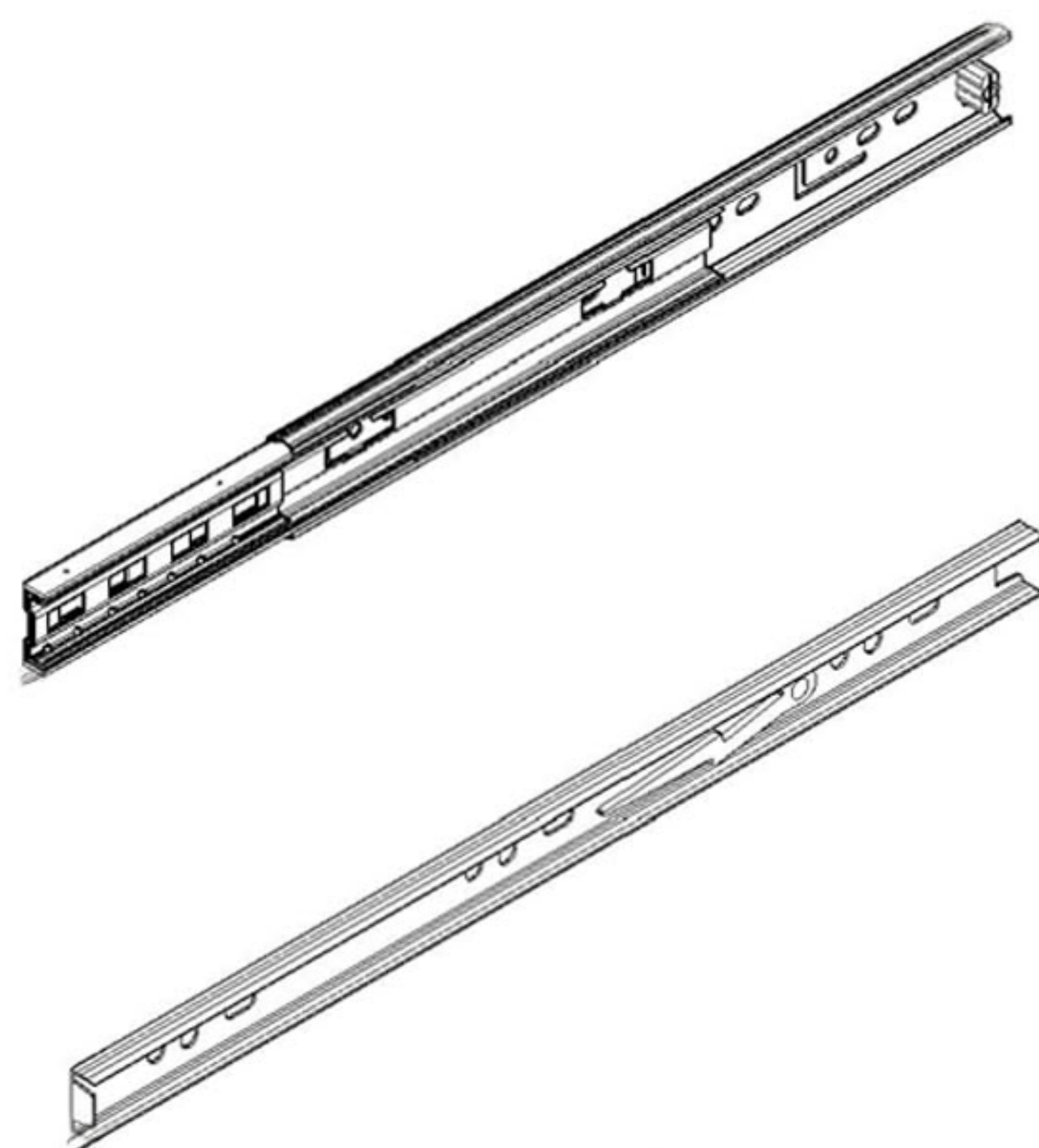


1. Screw the A/C (Threaded Rod) into the Pre-drilled Hole
2. Insert the installed A/C into the corresponding hole of the other piece. Press B (Latch) into the hole. Note that the cross arrow corresponds to the insertion direction of the Threaded Rod.
3. Use a cross screwdriver to tighten Latch clockwise. Be careful not to use excessive force.

## J (Sliding Rail) Installation Instructions

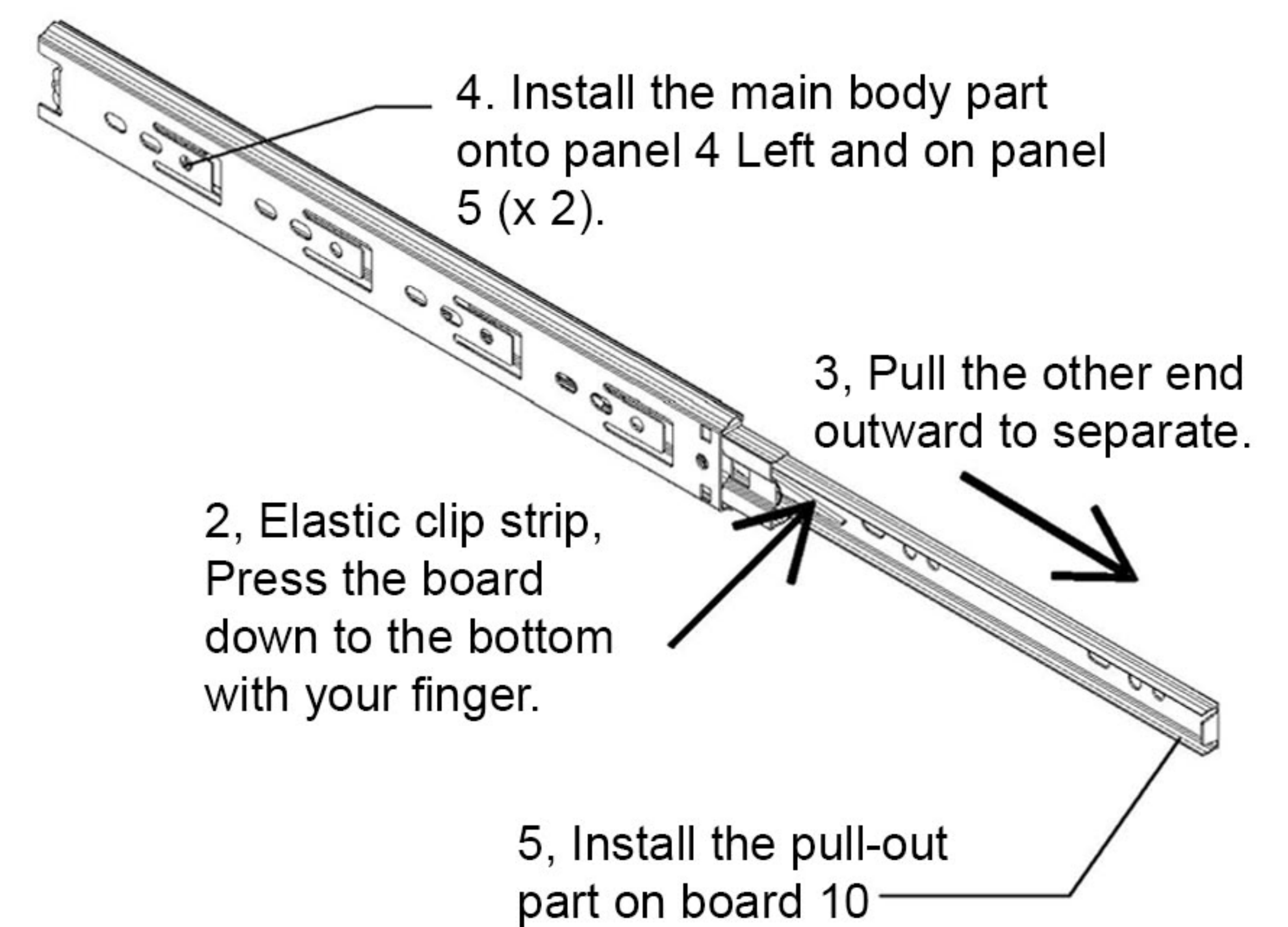
When installing J, use with screw D

1, Separate J (Sliding Rail)



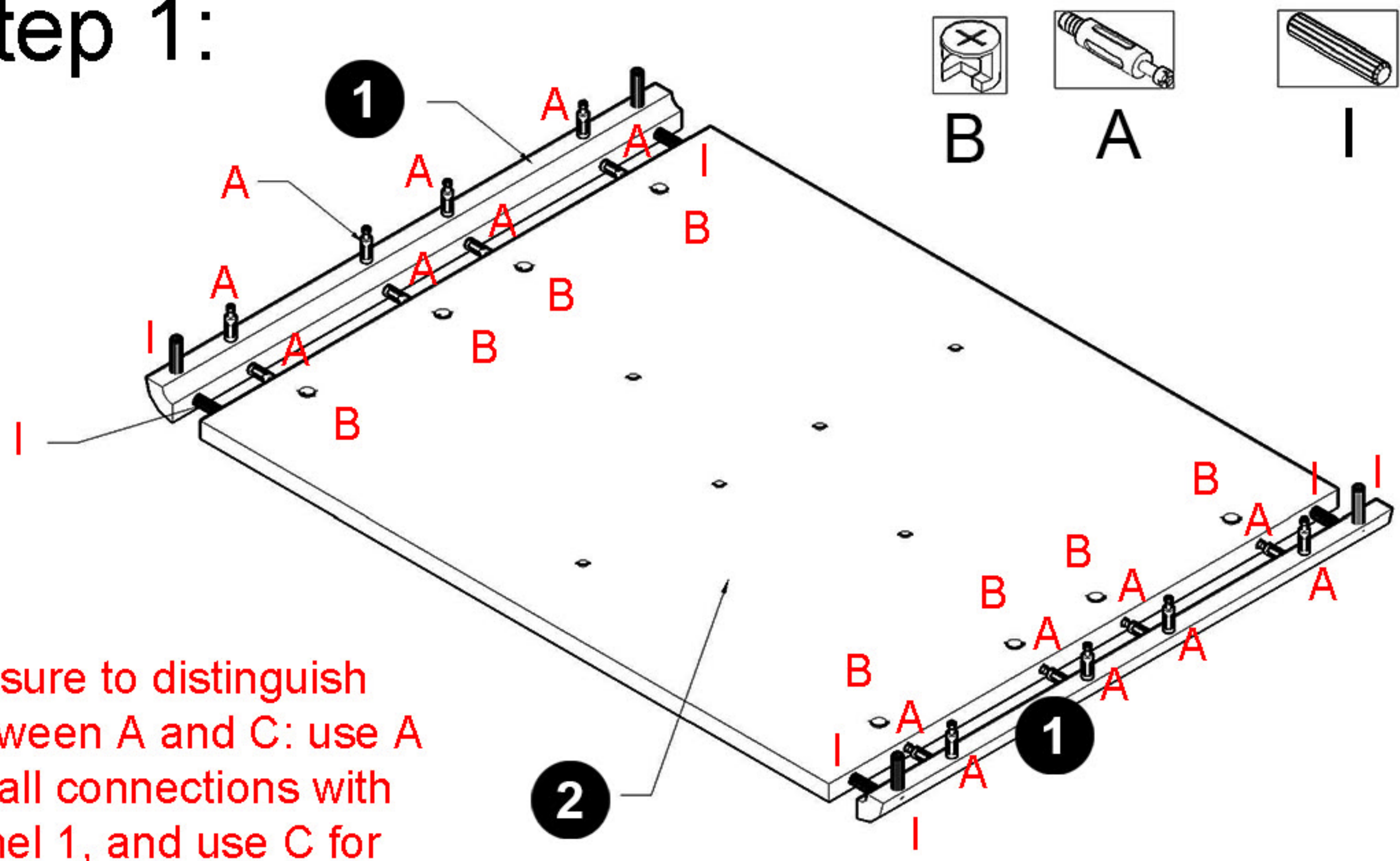
The main body part

The pull-out part



5, Install the pull-out part on board 10

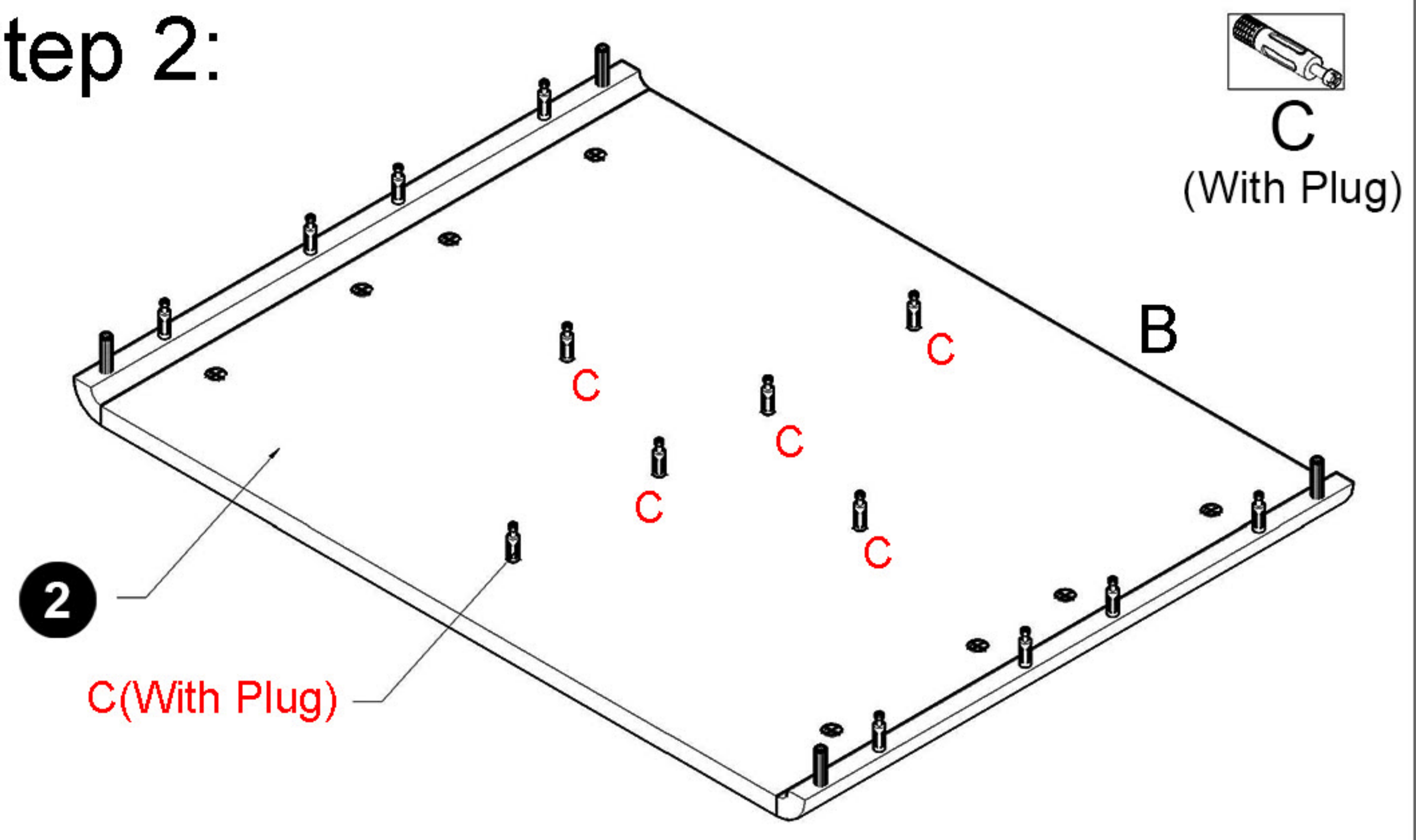
### Step 1:



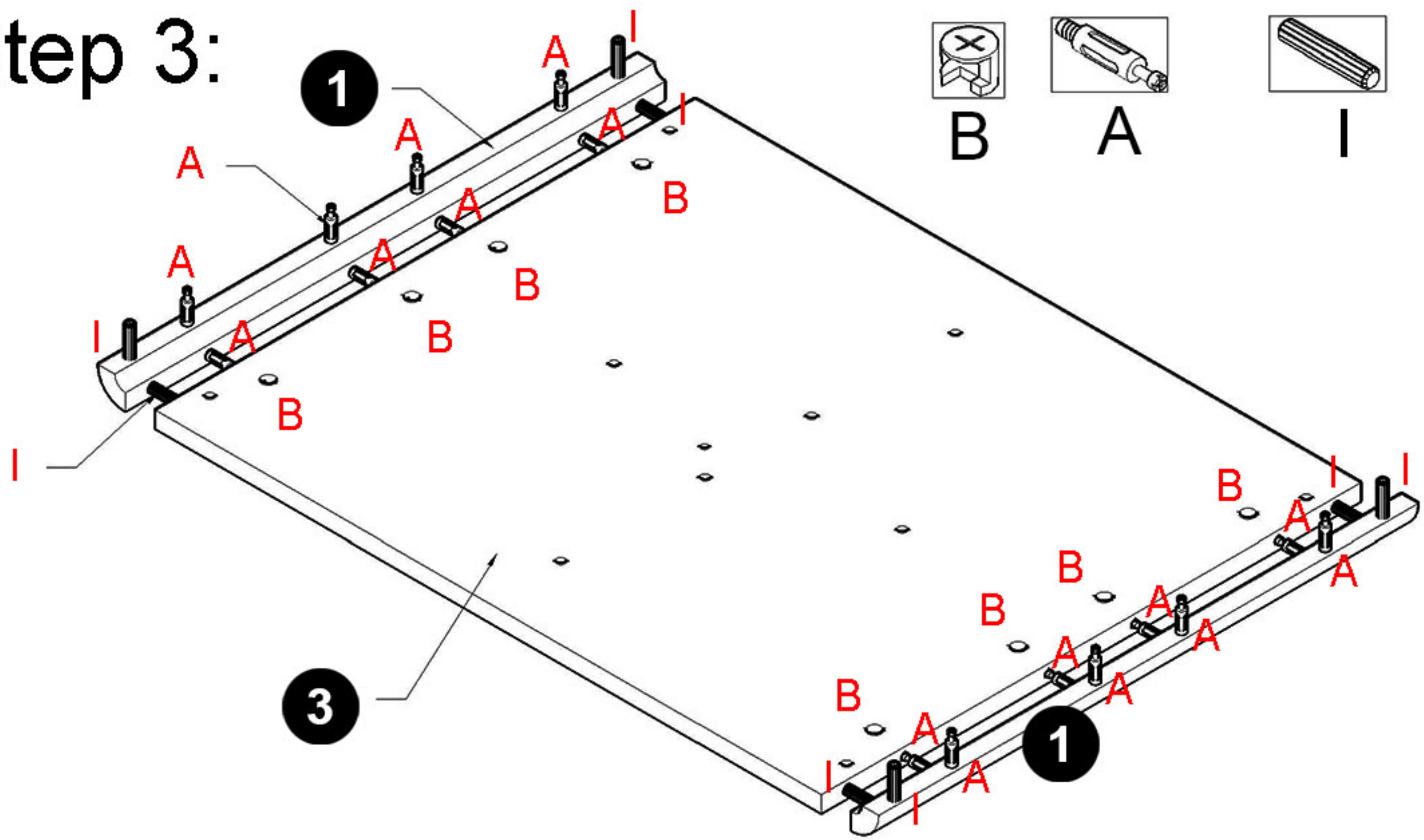
Be sure to distinguish between A and C: use A for all connections with panel 1, and use C for all other connections.

Lock the connection with B. Please refer to the previous Installation Guide: Threaded Rod, Latch, Pre-drilled Hole.

### Step 2:

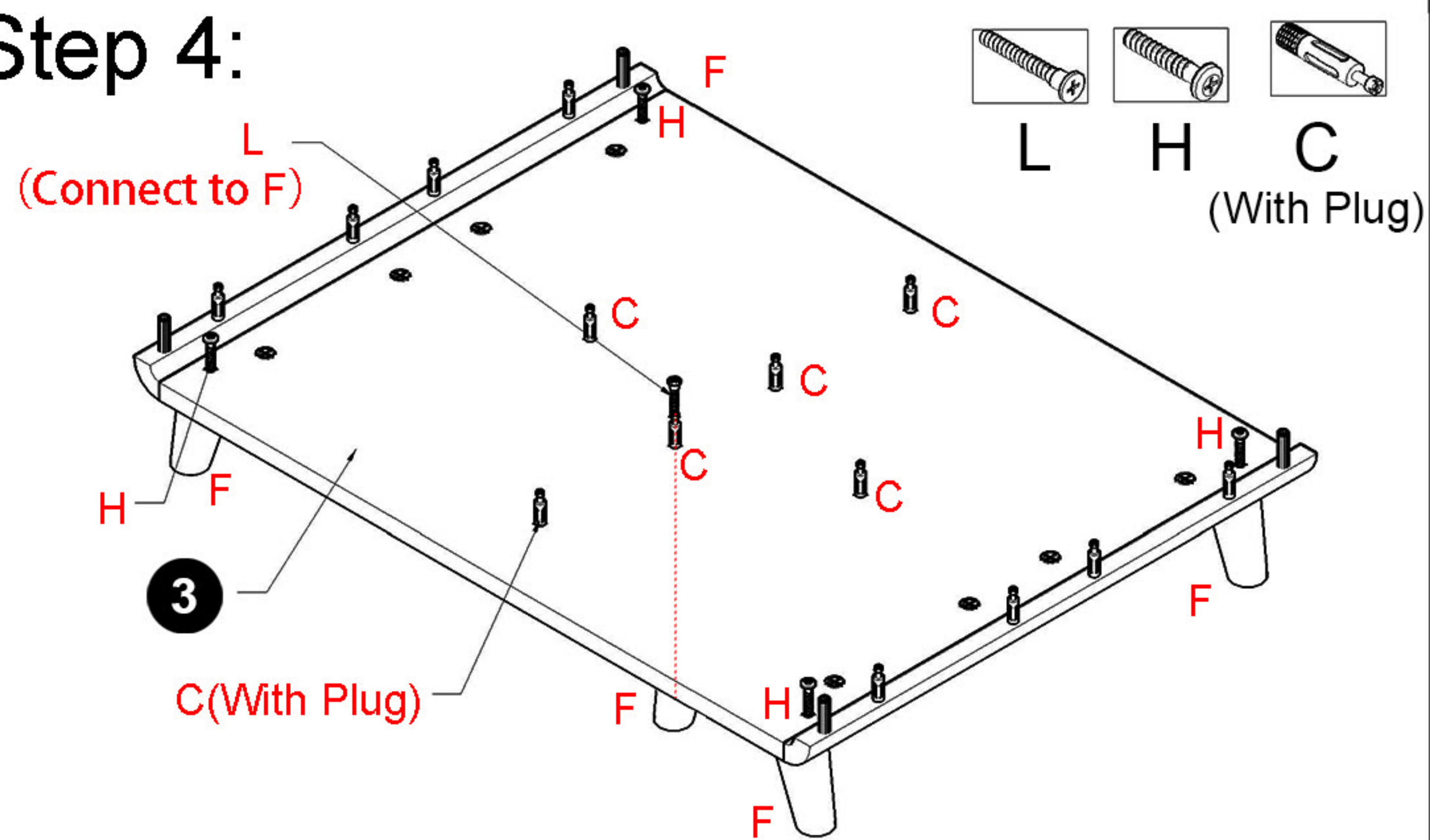


### Step 3:

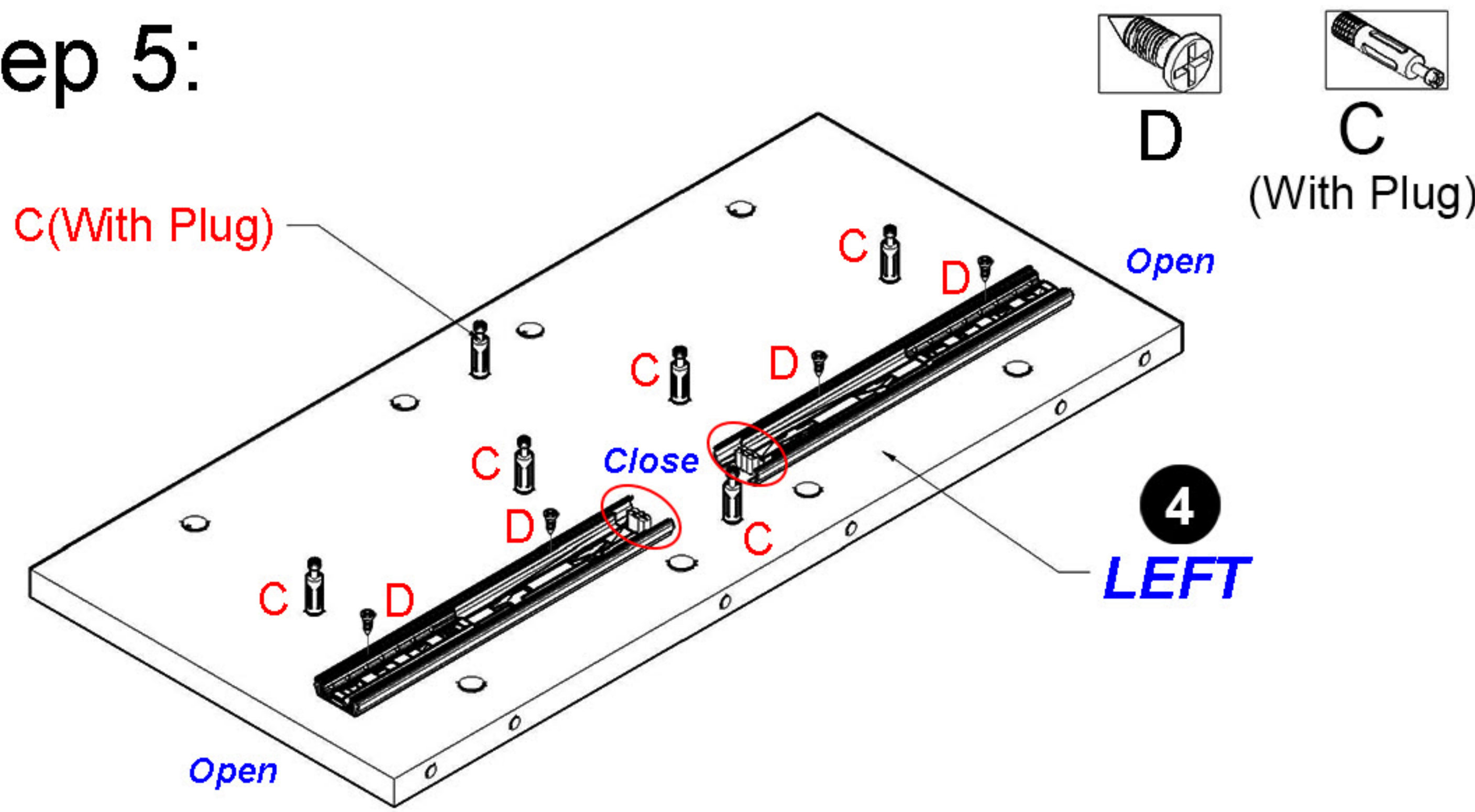


Lock the connection with B. Please refer to the previous Installation Guide: Threaded Rod, Latch, Pre-drilled Hole.

### Step 4:

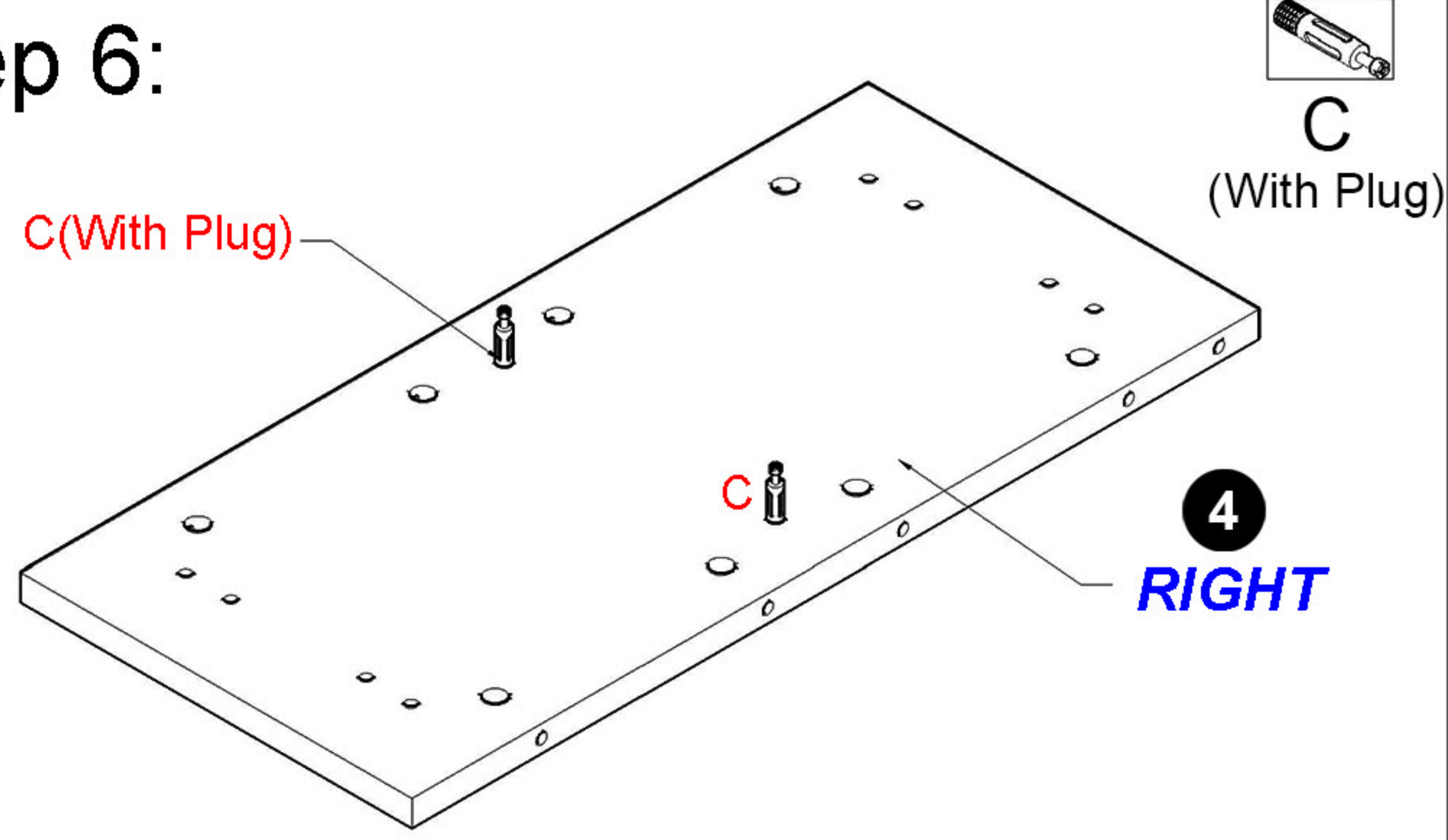


### Step 5:

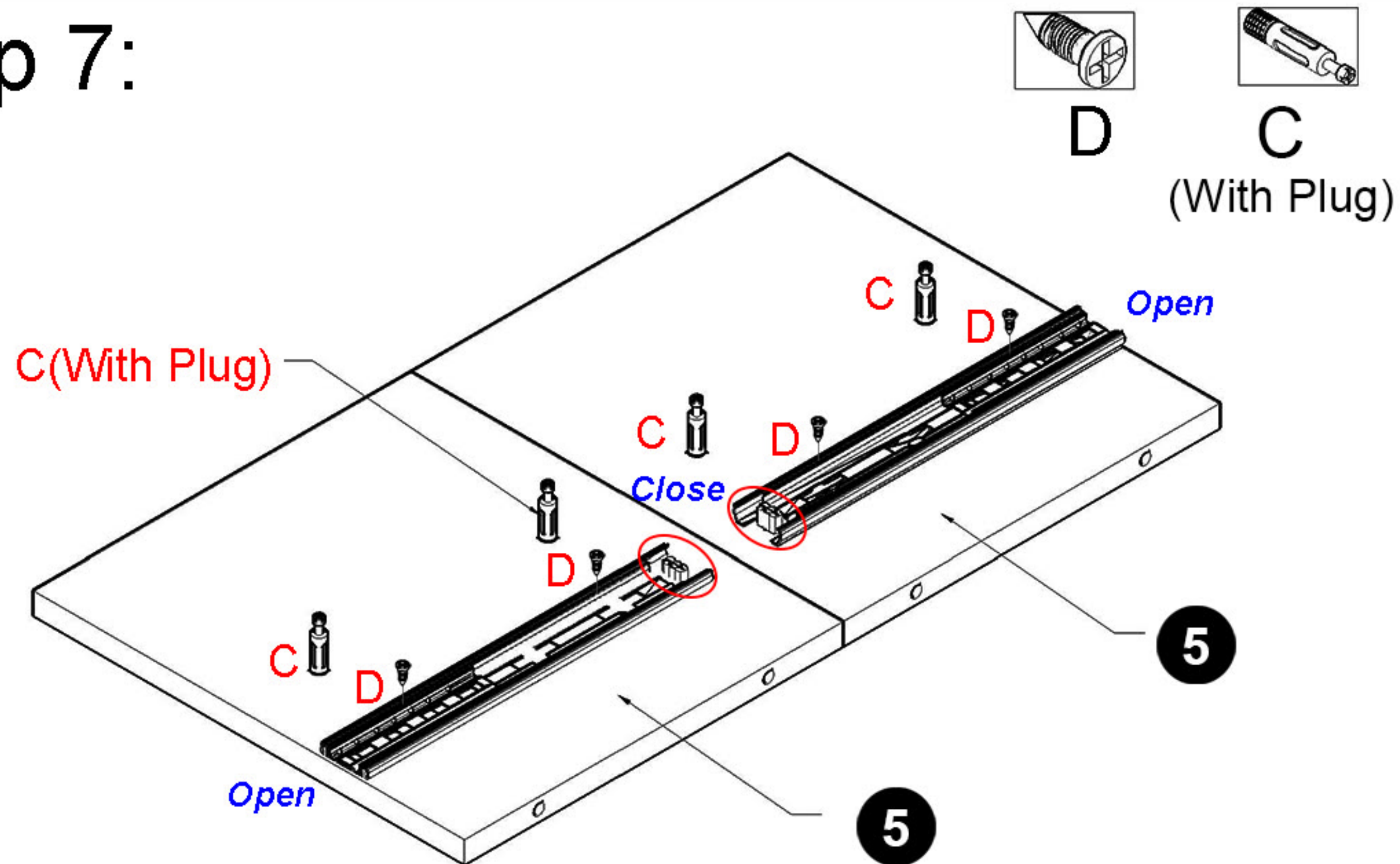


Fix the **main body part of J** with D. Install the left and right slide rails symmetrically, with the open side facing outward.

### Step 6:

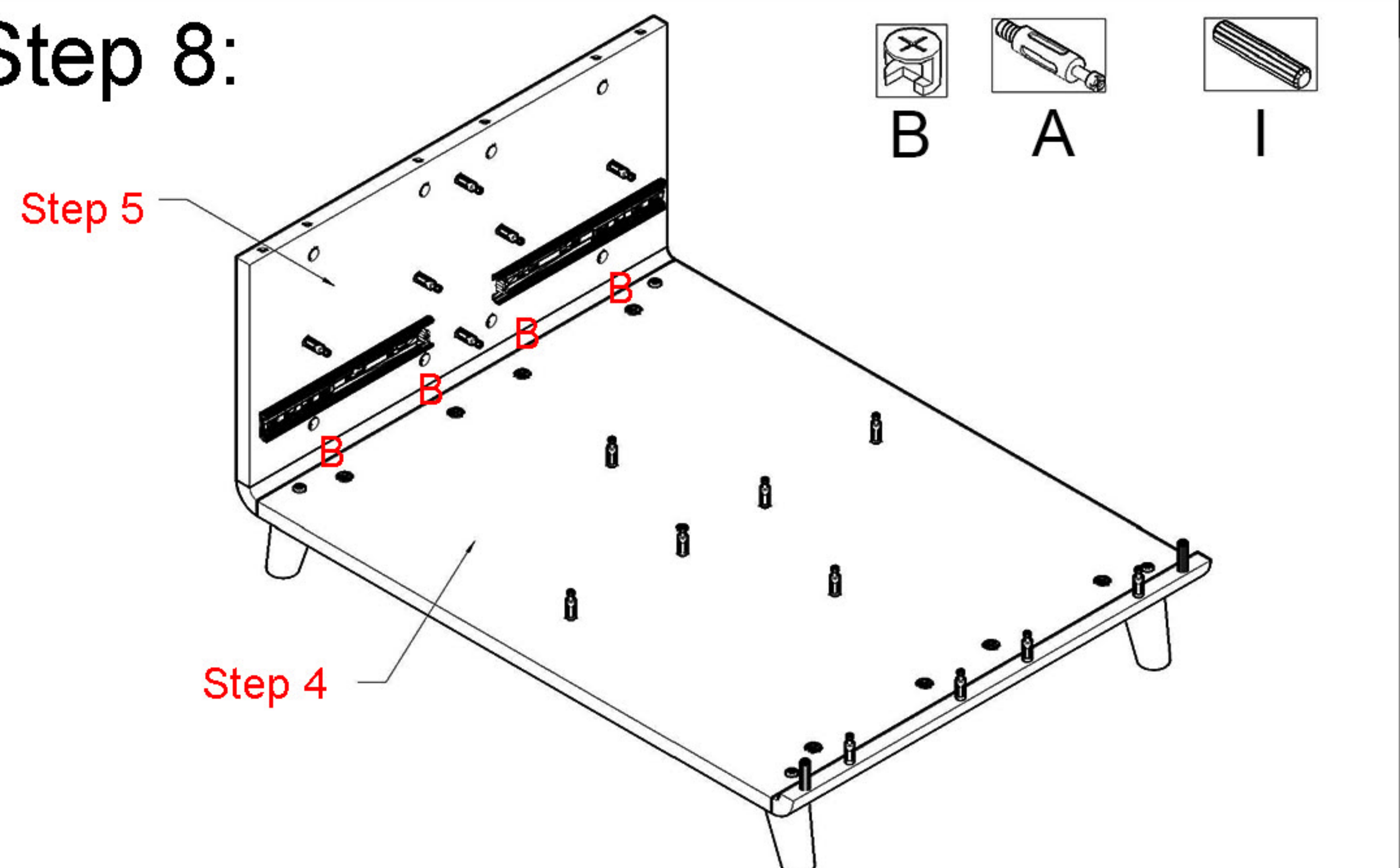


### Step 7:



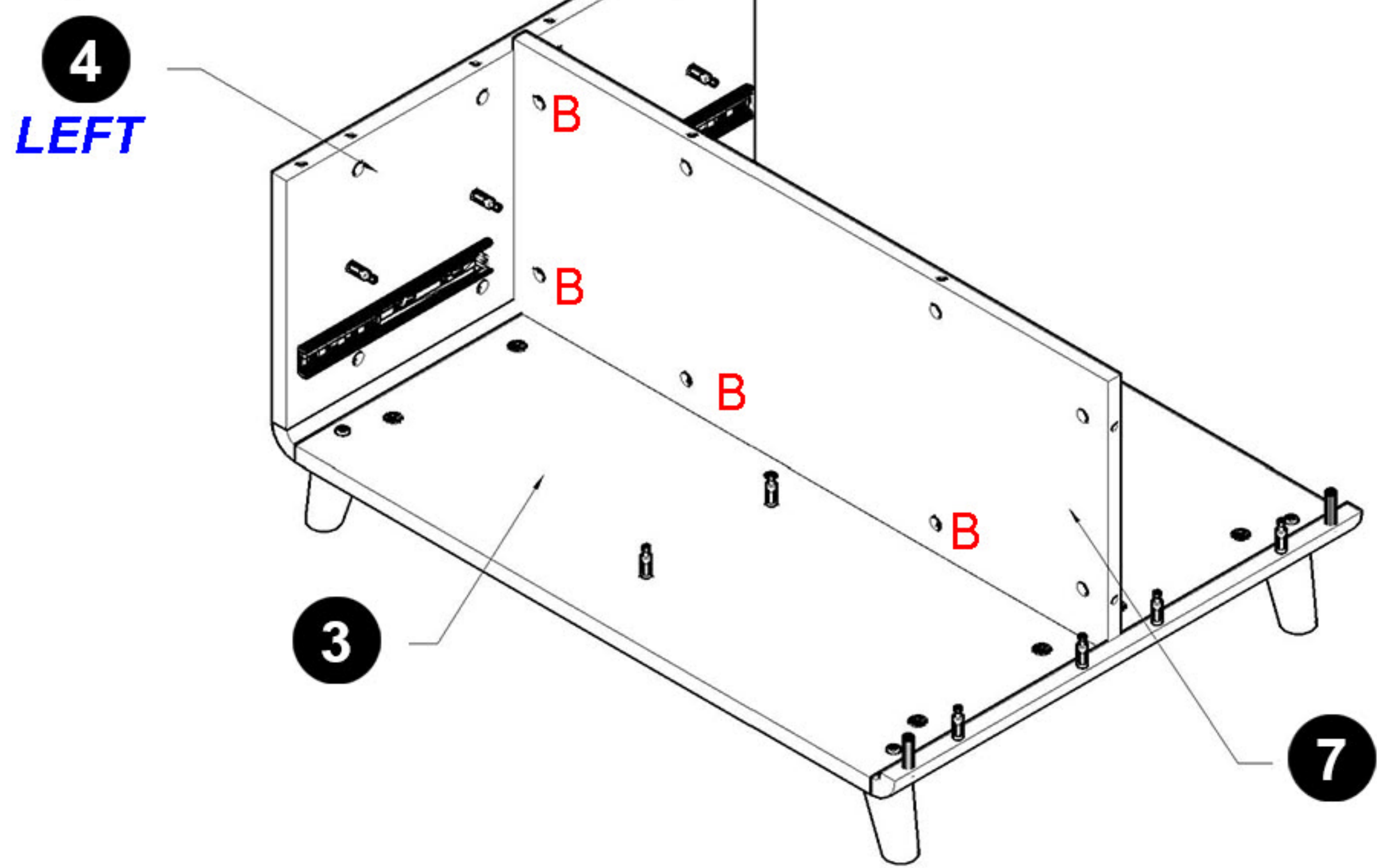
Fix the **main body part of J** with D. Install the left and right slide rails symmetrically, with the open side facing outward.

### Step 8:



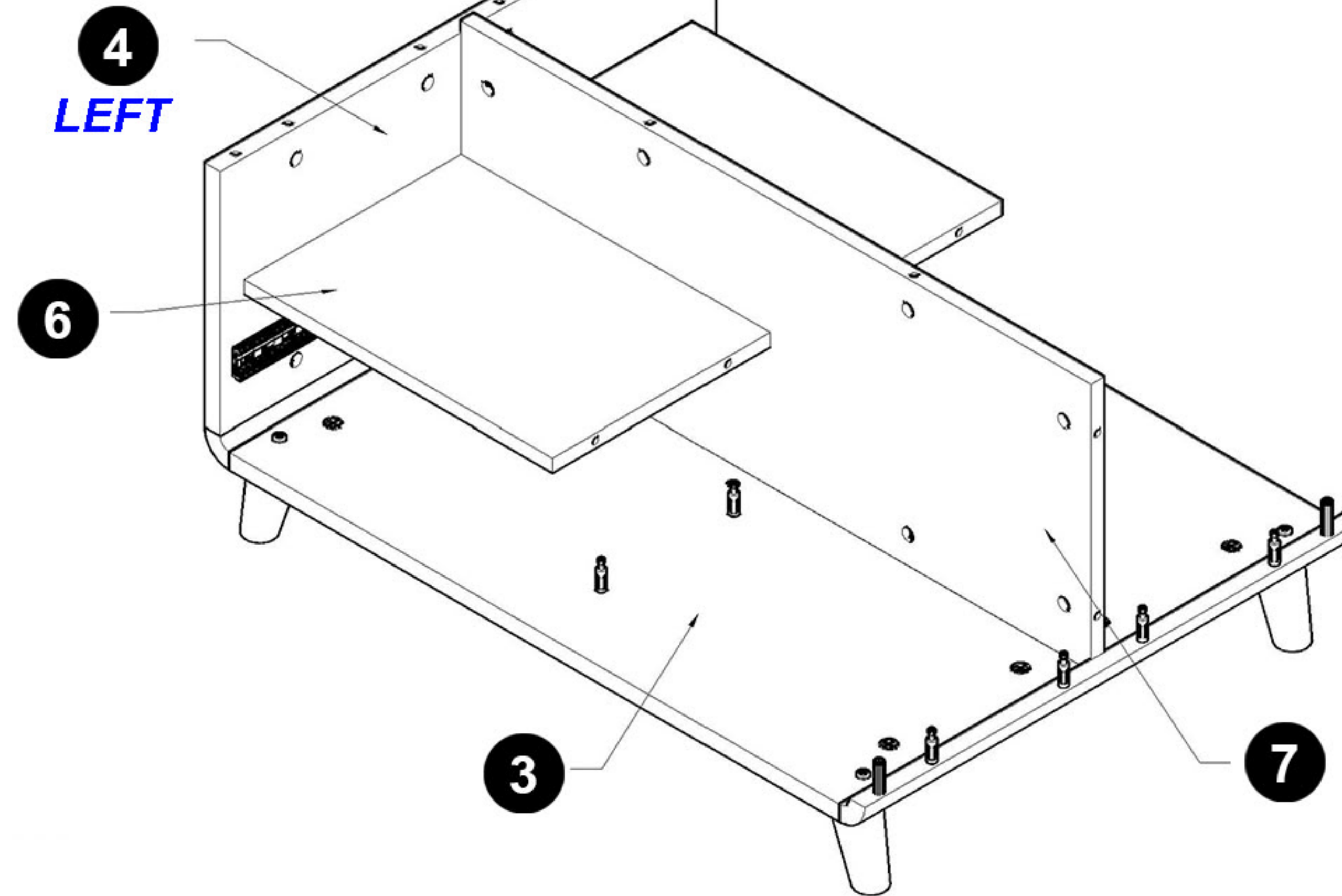
Lock the connection with B. Please refer to the previous Installation Guide: Threaded Rod, Latch, Pre-drilled Hole.

### Step 9:



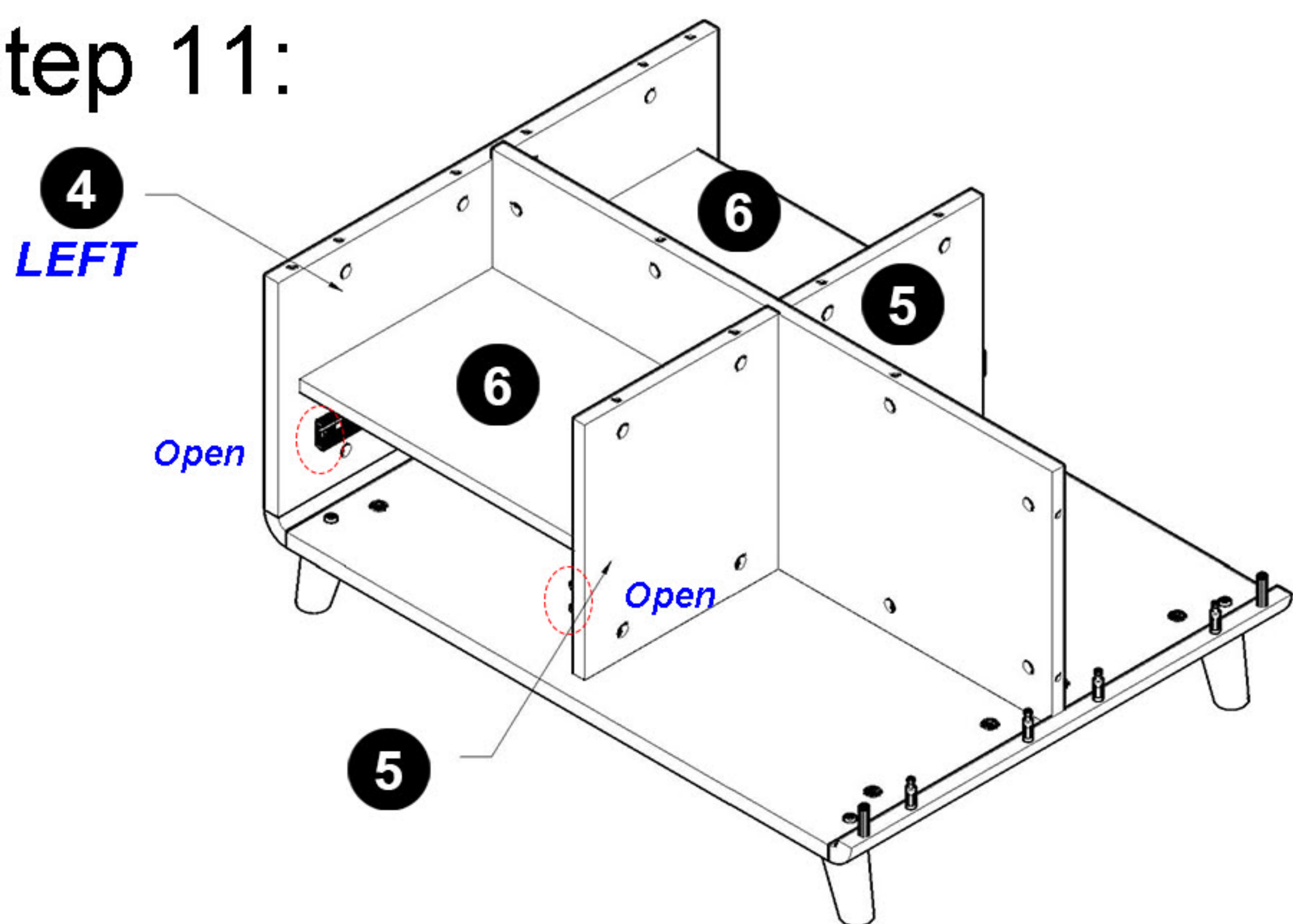
Lock with B.

### Step 10:



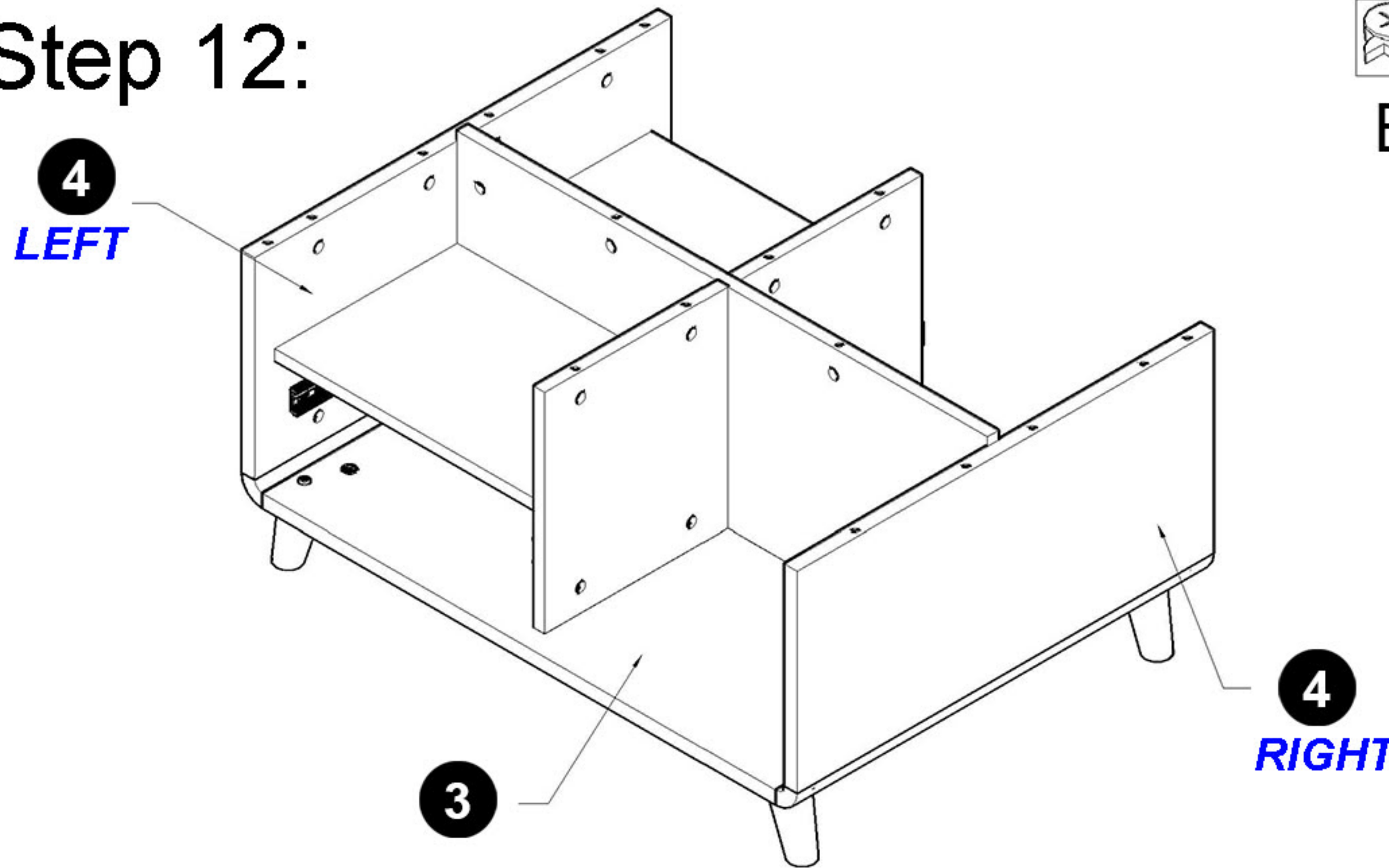
Lock with B.

### Step 11:



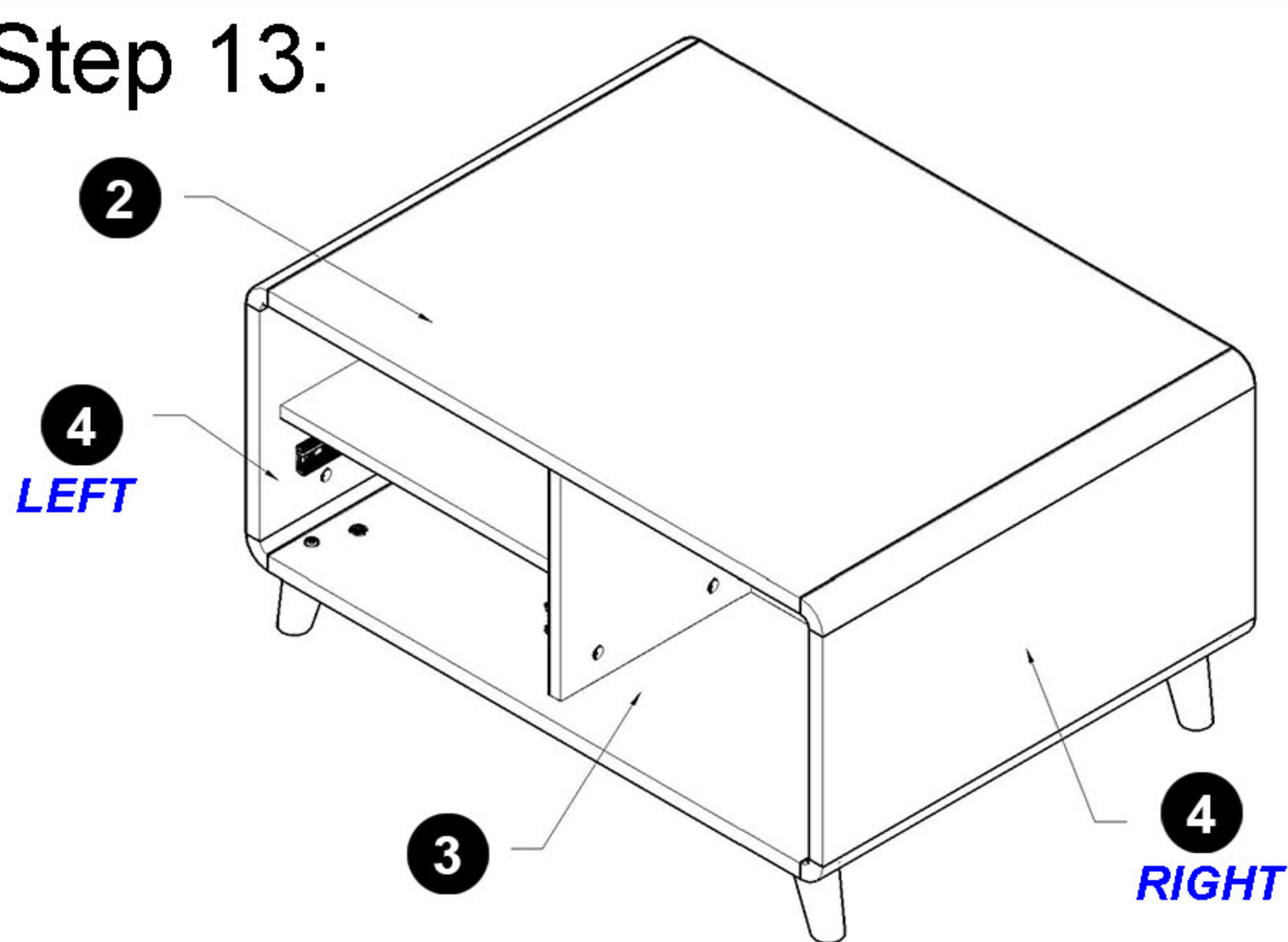
When installing panel 5, make sure the opening of J's main body part is oriented symmetrically to panel 4. Pay attention to the direction. Pay attention to both the front and back sides.

### Step 12:



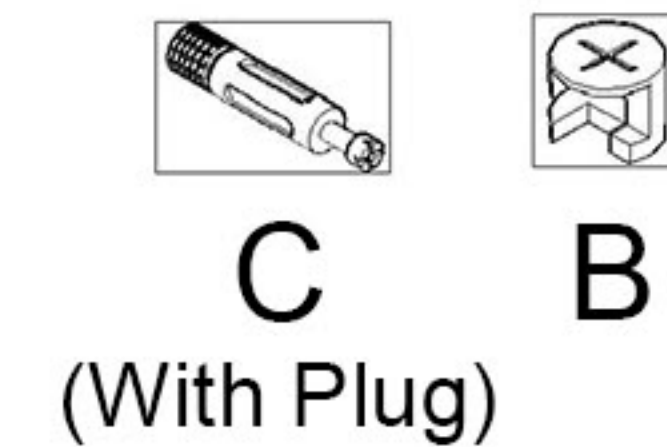
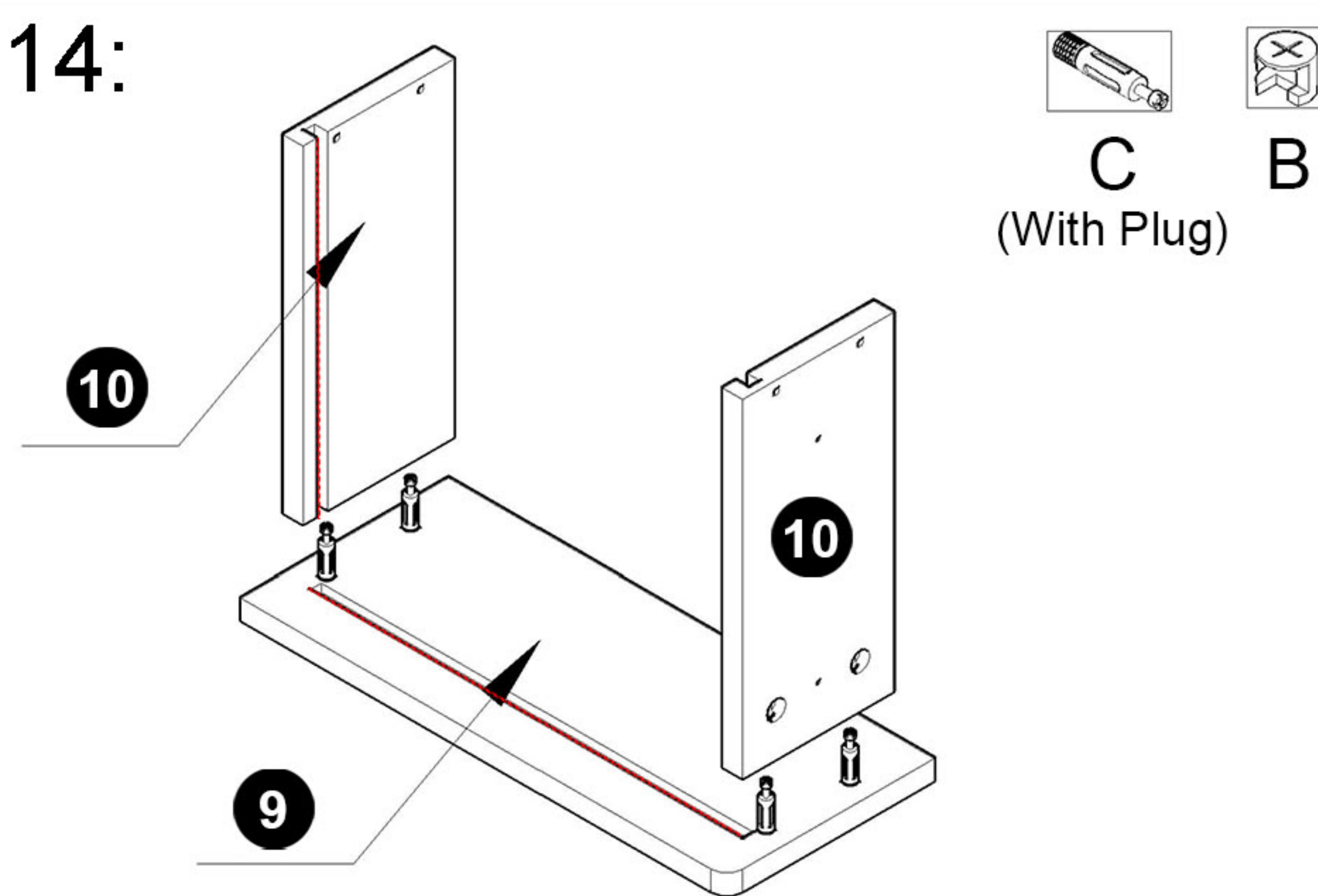
Lock with B.

### Step 13:



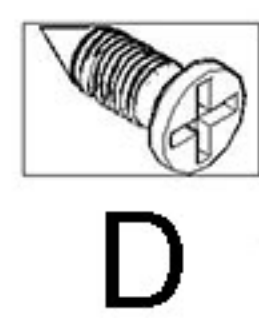
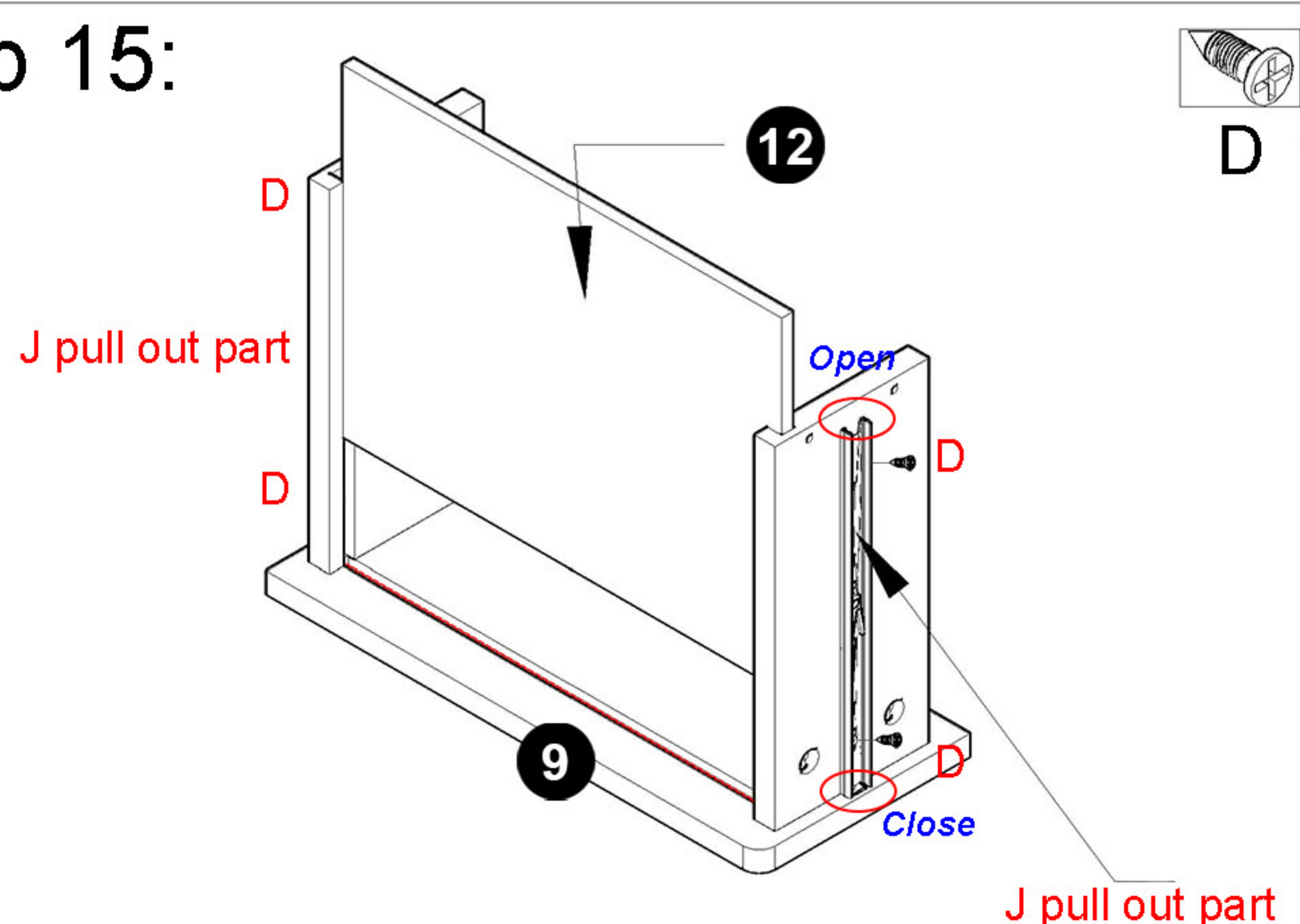
Lock with B.

### Step 14:



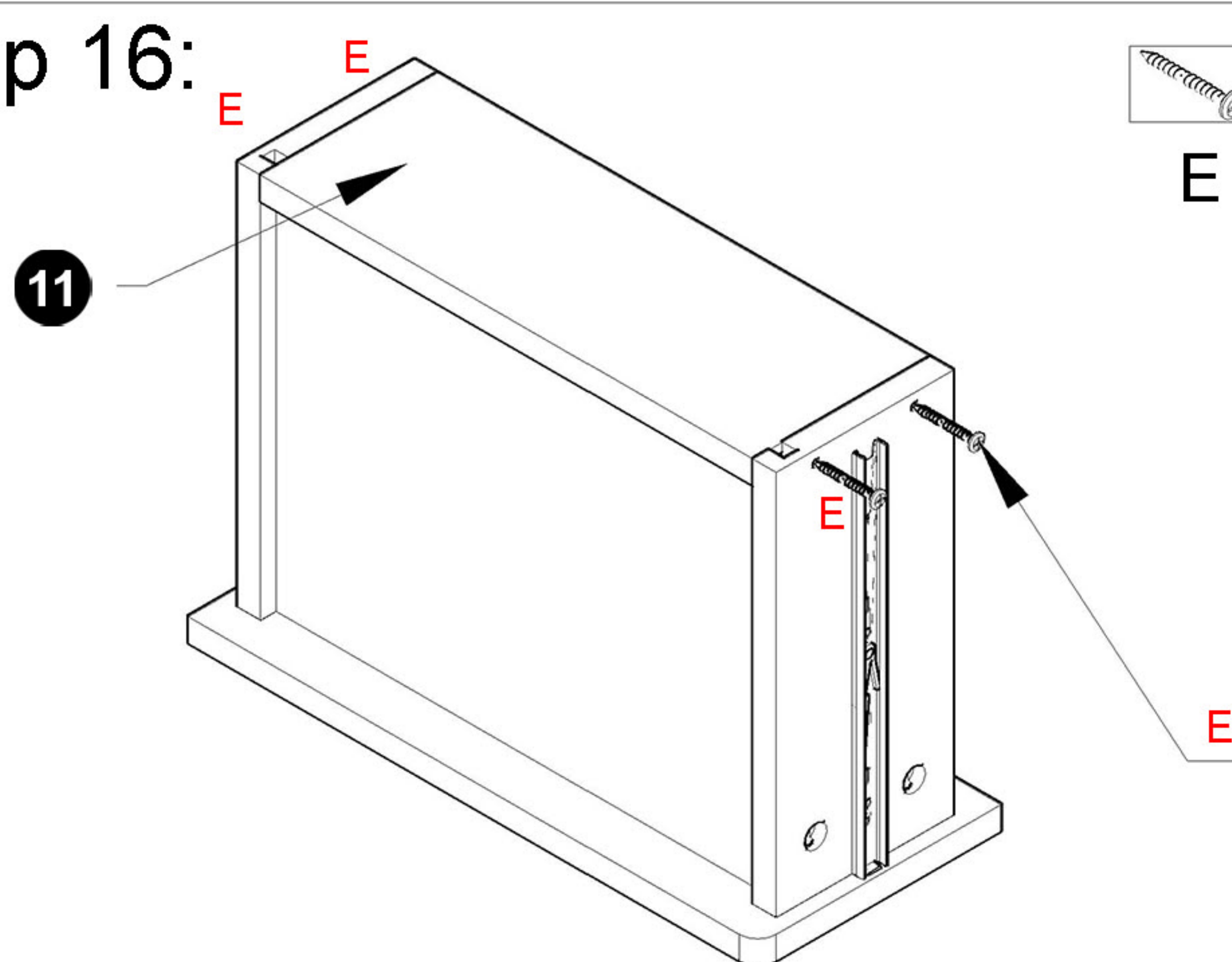
When installing, make sure to align the grooves on panels 9 and 10.

### Step 15:

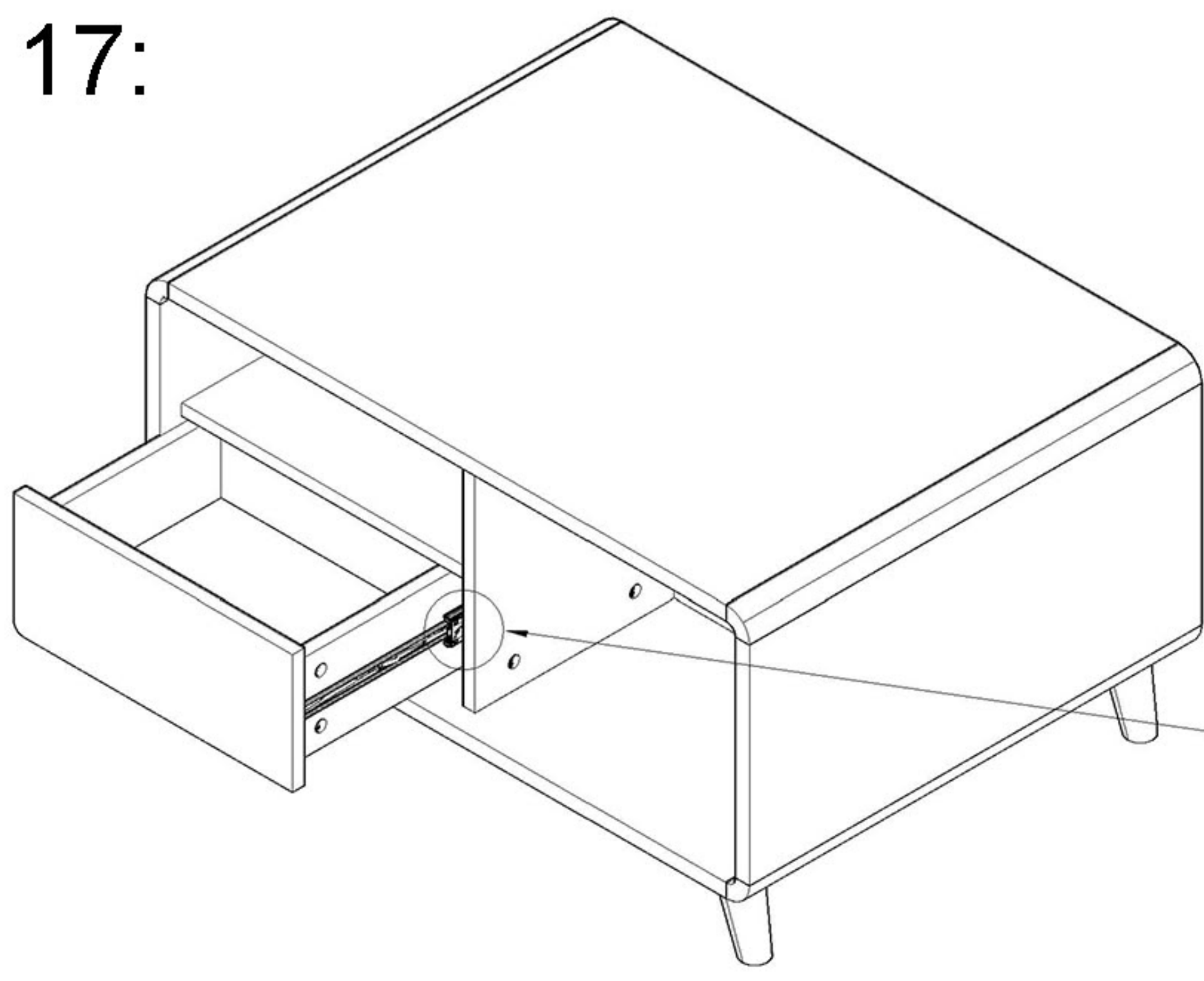


Make sure panel 12 is inserted into the groove. Use D to install J's pull-out part onto panel 10, ensuring the close side is flush against panel 9.

### Step 16:

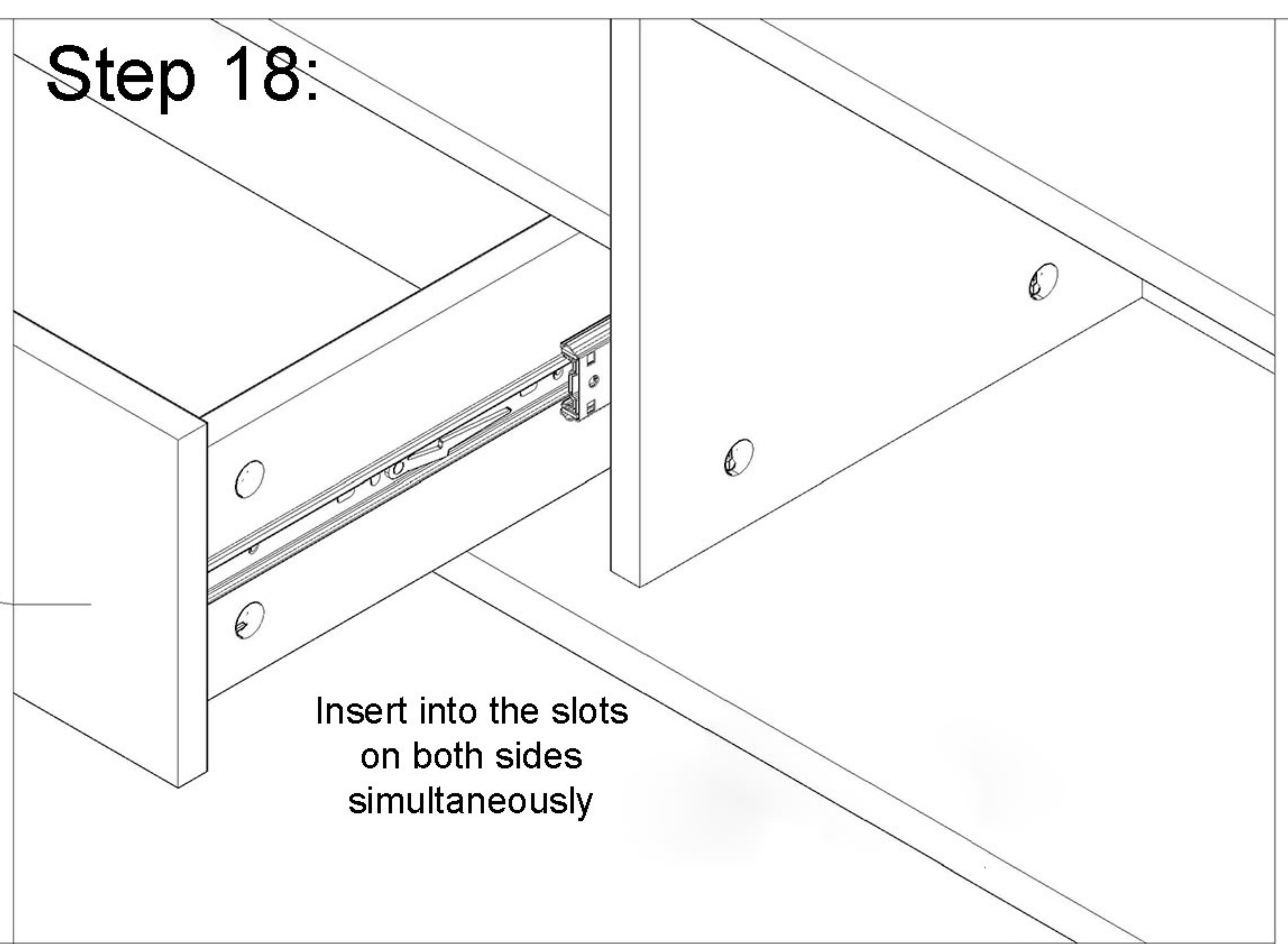


### Step 17:



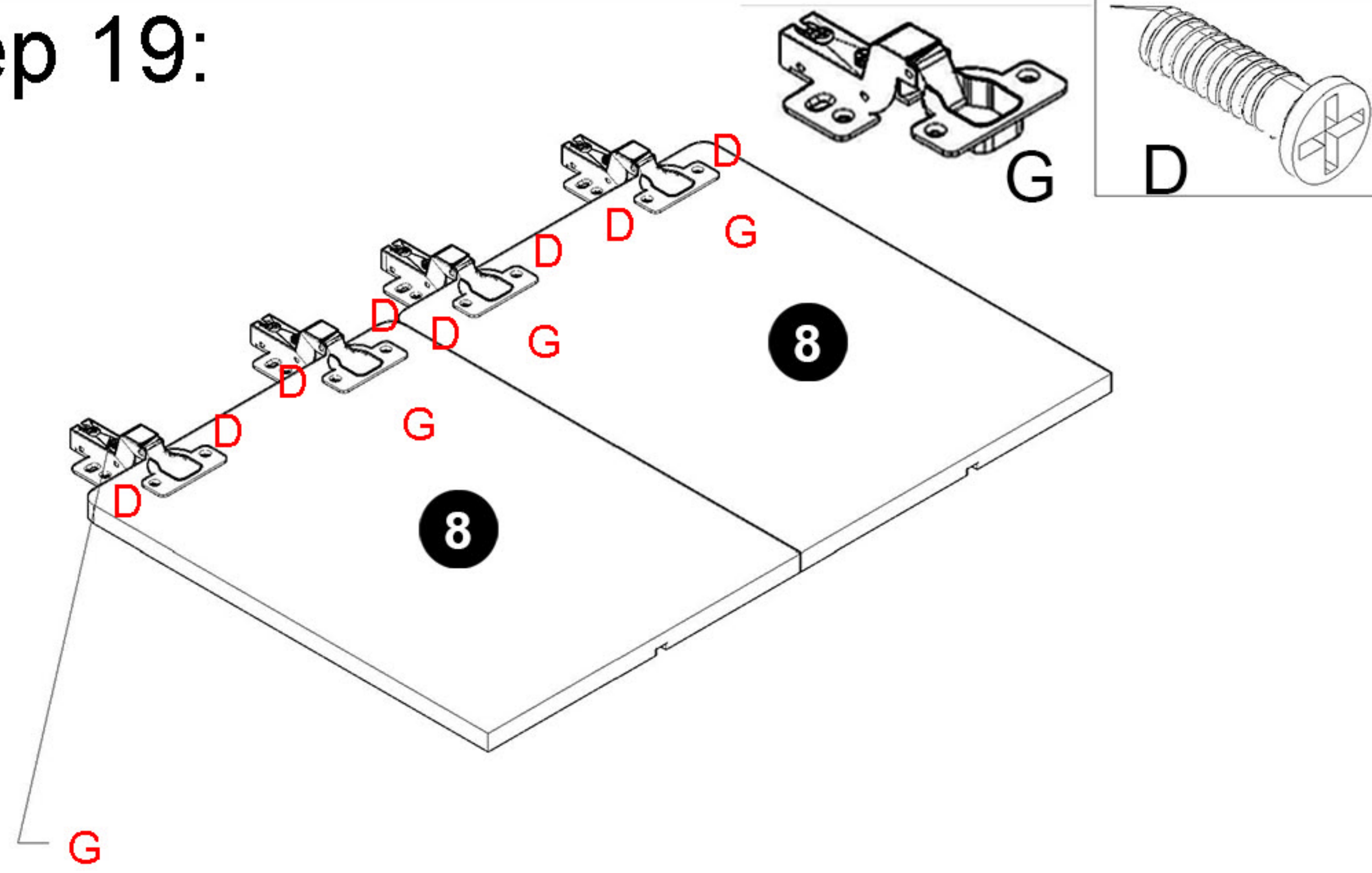
Pull the J main body part its full length, with the silver ball-bearing section at the front. Insert the small tracks on both sides of the drawer into the slots, then gently push to secure.

### Step 18:



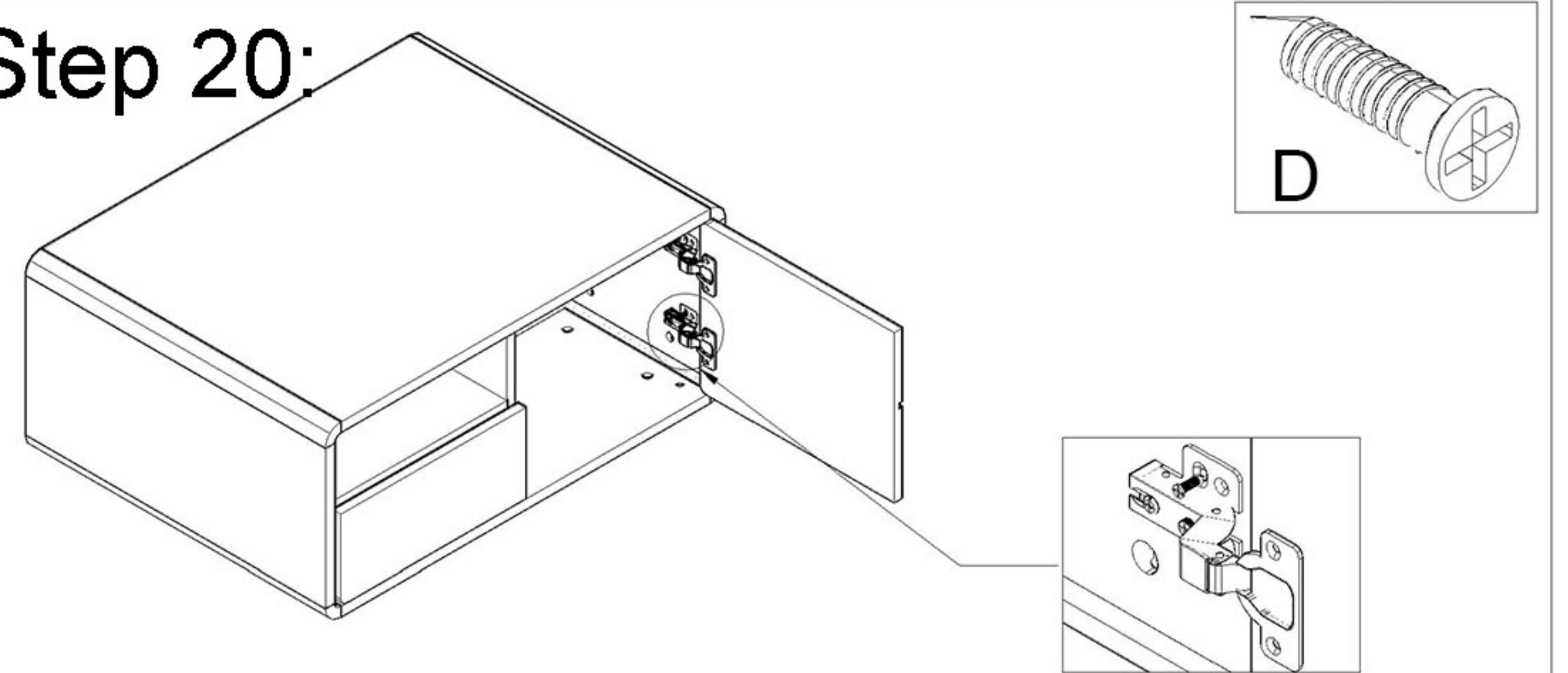
Insert into the slots on both sides simultaneously

### Step 19:



Note: When installing G, if you encounter resistance while tightening the screws, stop immediately. Continuing to apply force may cause the threads to strip or damage the mechanism.

### Step 20:



When installing the door panel, first secure the two rear holes of G using D

First, secure the rear two holes of G with D, then install the front two holes. Refer to the initial hinge installation instructions to adjust the door's height and gap.

