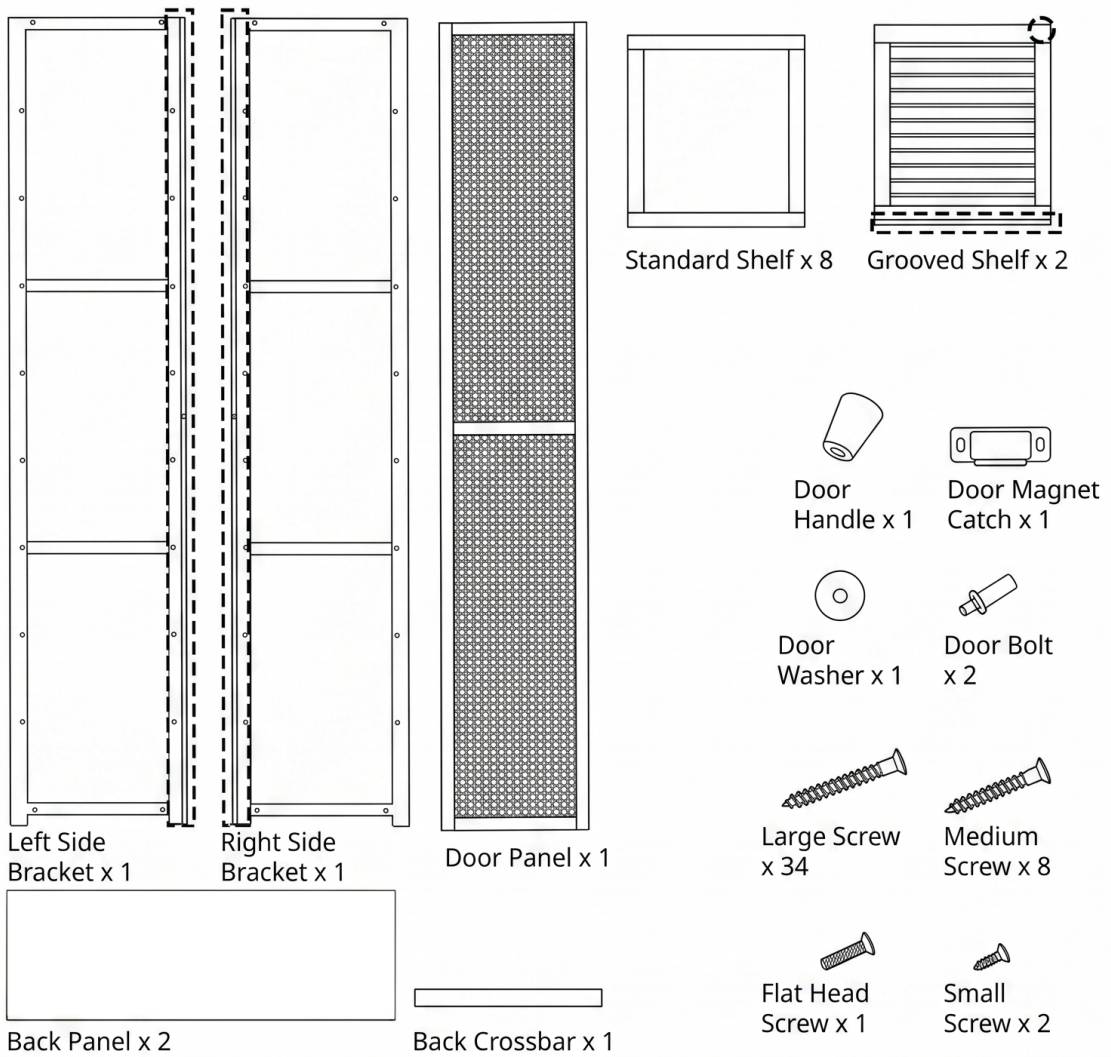
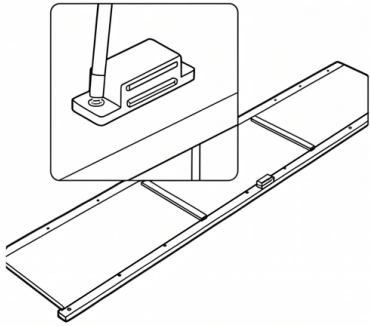


# SOCE066

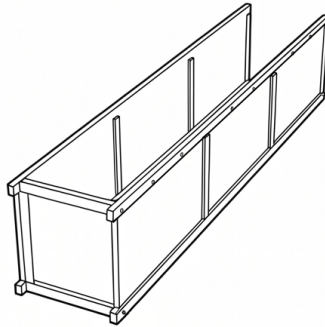
## Installation Instruction



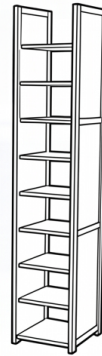
# START ASSEMBLY



1. TAKE OUT SIDE BRACKET (RIGHT). AT MIDDLE POSITION, USE SMALL SCREW TO FIX MAGNETIC DOOR CATCH.



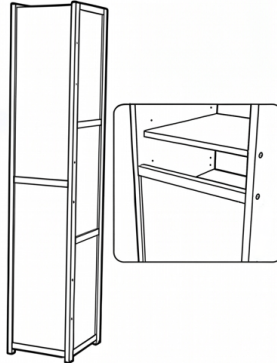
2. THEN TAKE OUT SIDE BRACKET (LEFT). USE MEDIUM SCREWS TO FIX LEFT AND RIGHT BRACKETS TO GROOVED PANEL.  
**NOTE: ALIGN SIDE BRACKET AND GROOVED PANEL GROOVE**



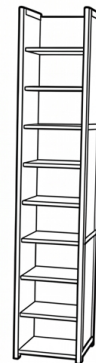
3. TAKE OUT COMMON PANELS AND USE LARGE SCREWS TO FIX.



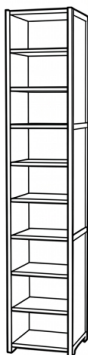
4. FLIP FRAME OVER. ENSURE BACK PANEL GROOVE IS AT FRONT.



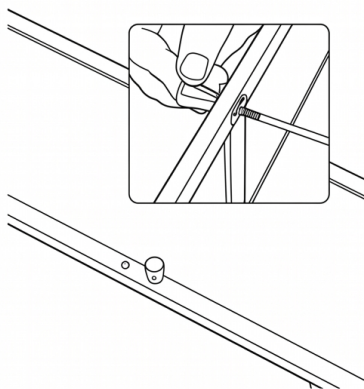
5. TAKE OUT BACK PANEL AND INSERT ALONG GROOVE. USE LARGE SCREWS TO FIX BACK PANEL STOPPER BAR IN THE MIDDLE.



6. CONTINUE TO TAKE OUT GROOVED PANELS AND USE MEDIUM SCREWS TO FIX.



7. TAKE OUT DOOR PANEL, DOOR HANDLE, AND DOOR GASKET. USE FLAT-HEAD SCREWS TO FIX.



8. INSTALL DOOR BOLTS. CONFIRM DOOR ALIGNMENT AND OPERATE SMOOTHLY.



9. ASSEMBLY COMPLETE. FINAL CHECK OF ALL SCREWS AND ALIGNMENT.