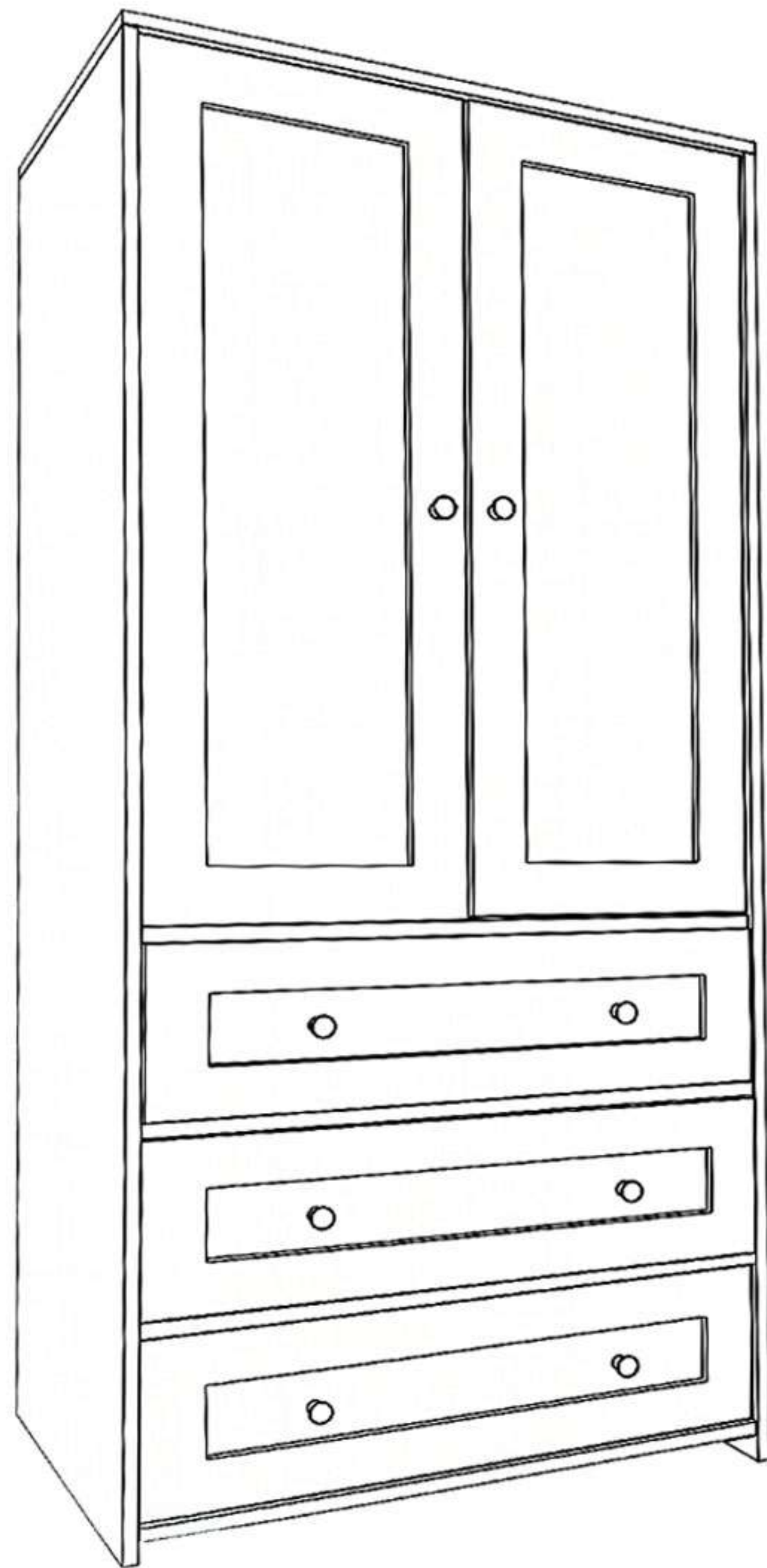
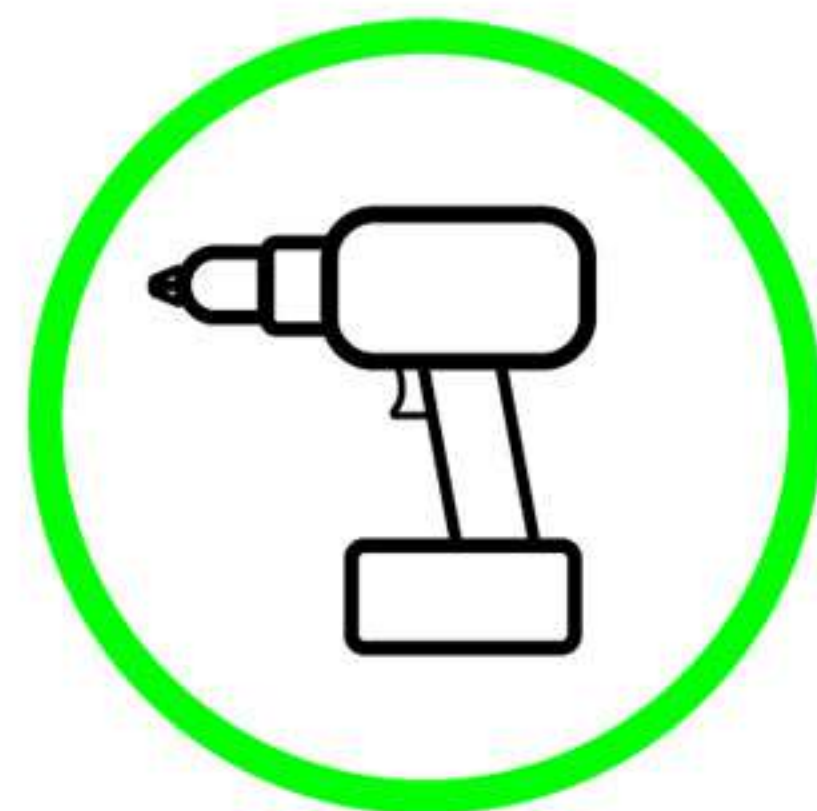


CC056CM

Installation Instruction



Scan the code to purchase ES001



Please read this instruction manual carefully before installation and use.

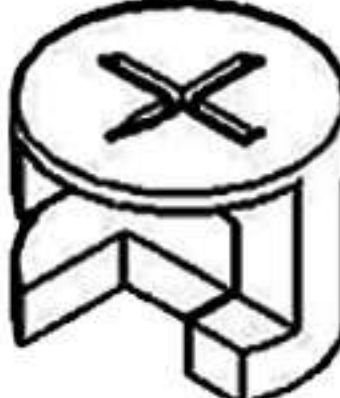
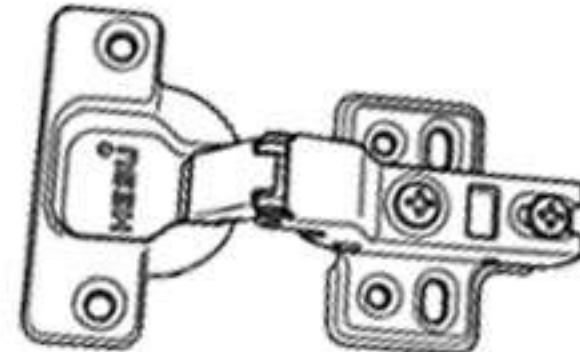
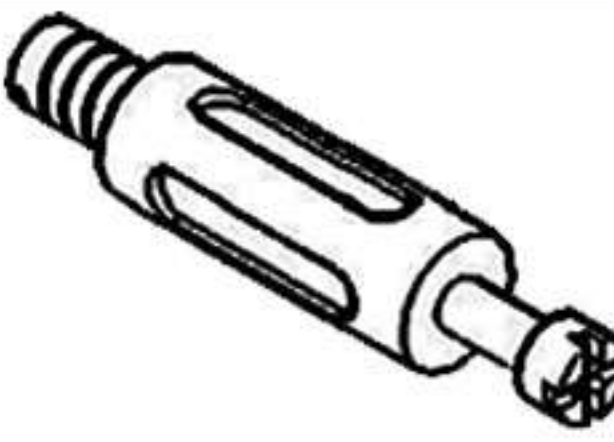
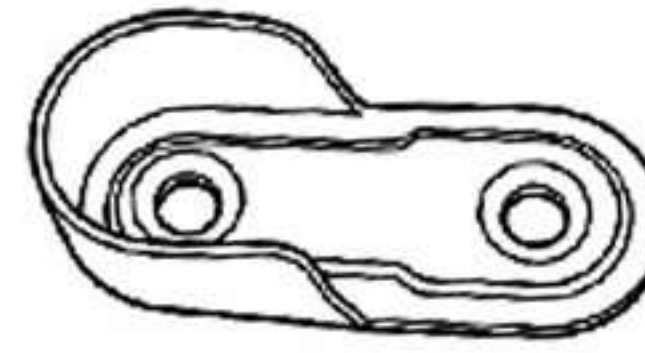

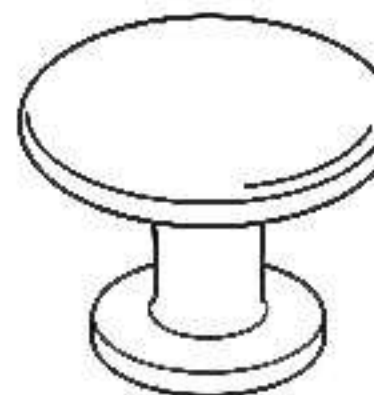

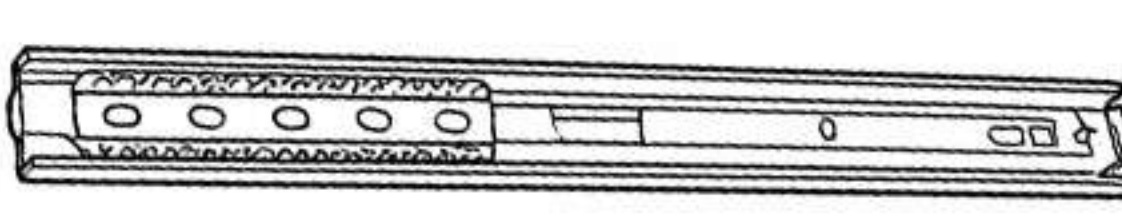



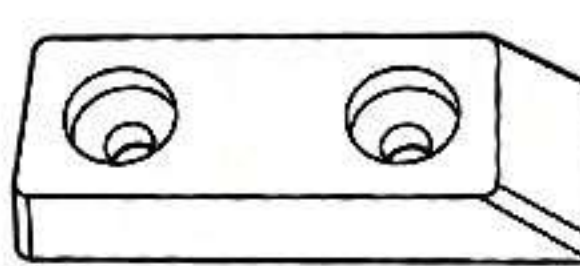
Assembly notes:

1. First, make sure that all panels and parts are not damaged or missing.
2. During the installation process, be careful not to bump or scratch the panel surface.
3. Please read the instructions carefully before installation and install in order.
4. Please use each screw accessory strictly according to the instructions.
5. The slide needs to be split into two parts when in use. For the splitting method, see the slide instructions.
6. Please keep the packaging box in case of any problems. You can check the product model and production batch number printed on the outside of the packaging box.

Precautions after assembly:

1. After installation, check whether all parts are installed and the locks are locked.
2. Check the overall stability of the cabinet to see if there is any vibration.
3. When using the lock, do not use excessive force to avoid damage to the lock. Just turn it clockwise until it cannot turn.

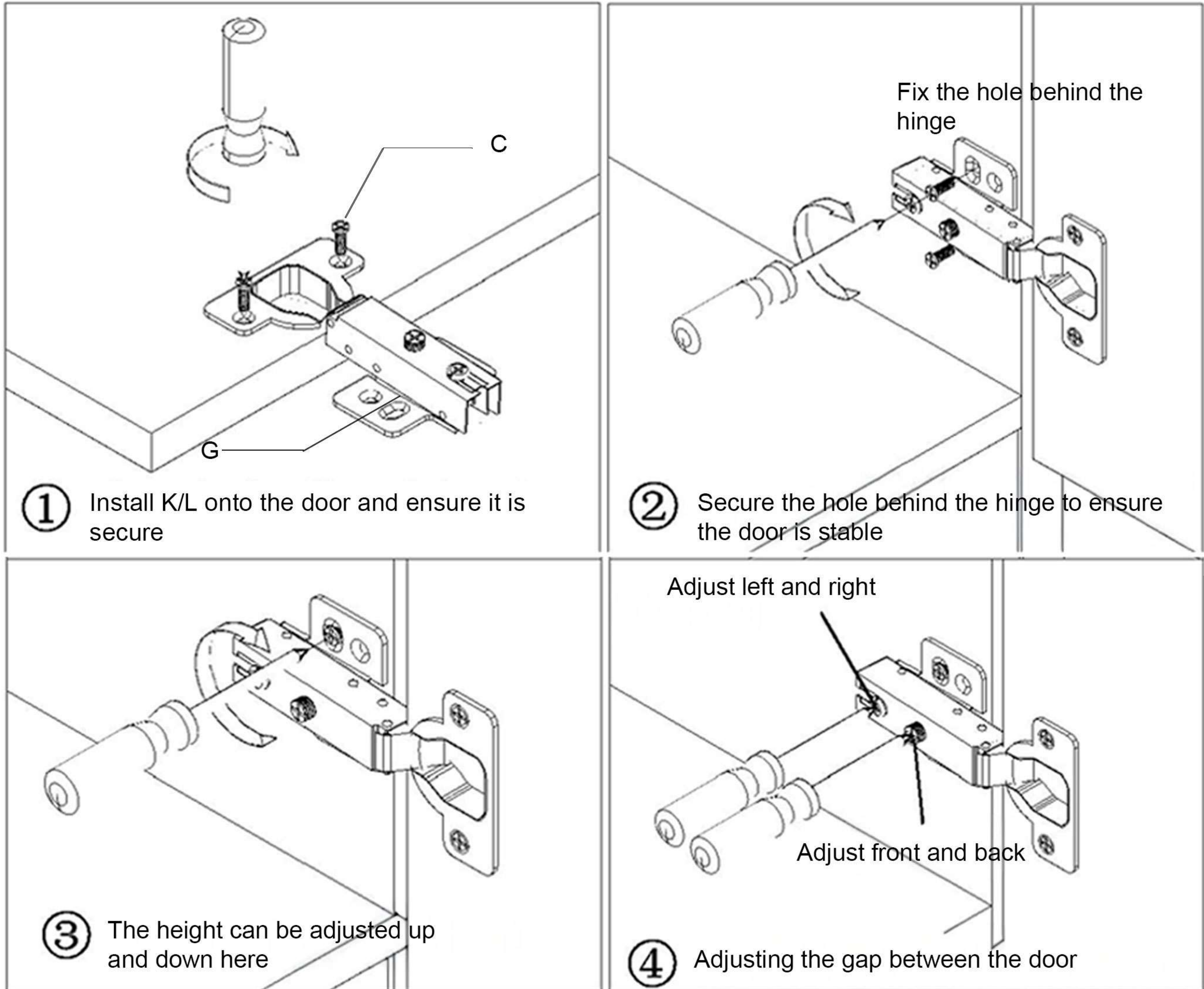
NOTE: ES001 - 3 Speed Portable Cordless Electric Screwdriver is highly recommended for installation.

Hardware List			
Accessory Appearance	Code	Accessory Appearance	Code
	A		G
	B		H
 Gold	C		I
	D		J
	E		K
 Silver	F		L

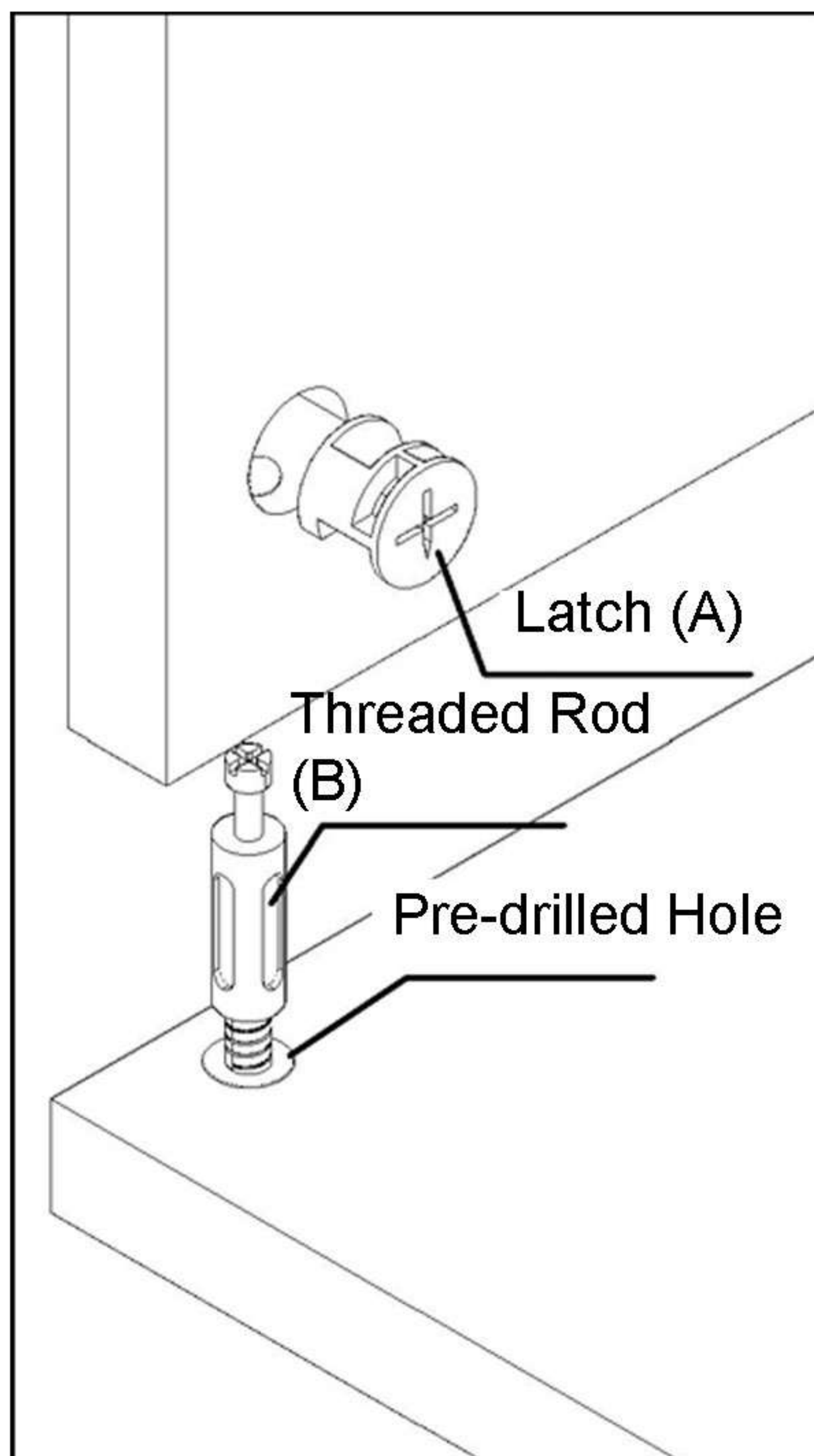
Detailed description of the main components, please read carefully

G (Hinge) Installation Instructions

Install the hinge with screw C



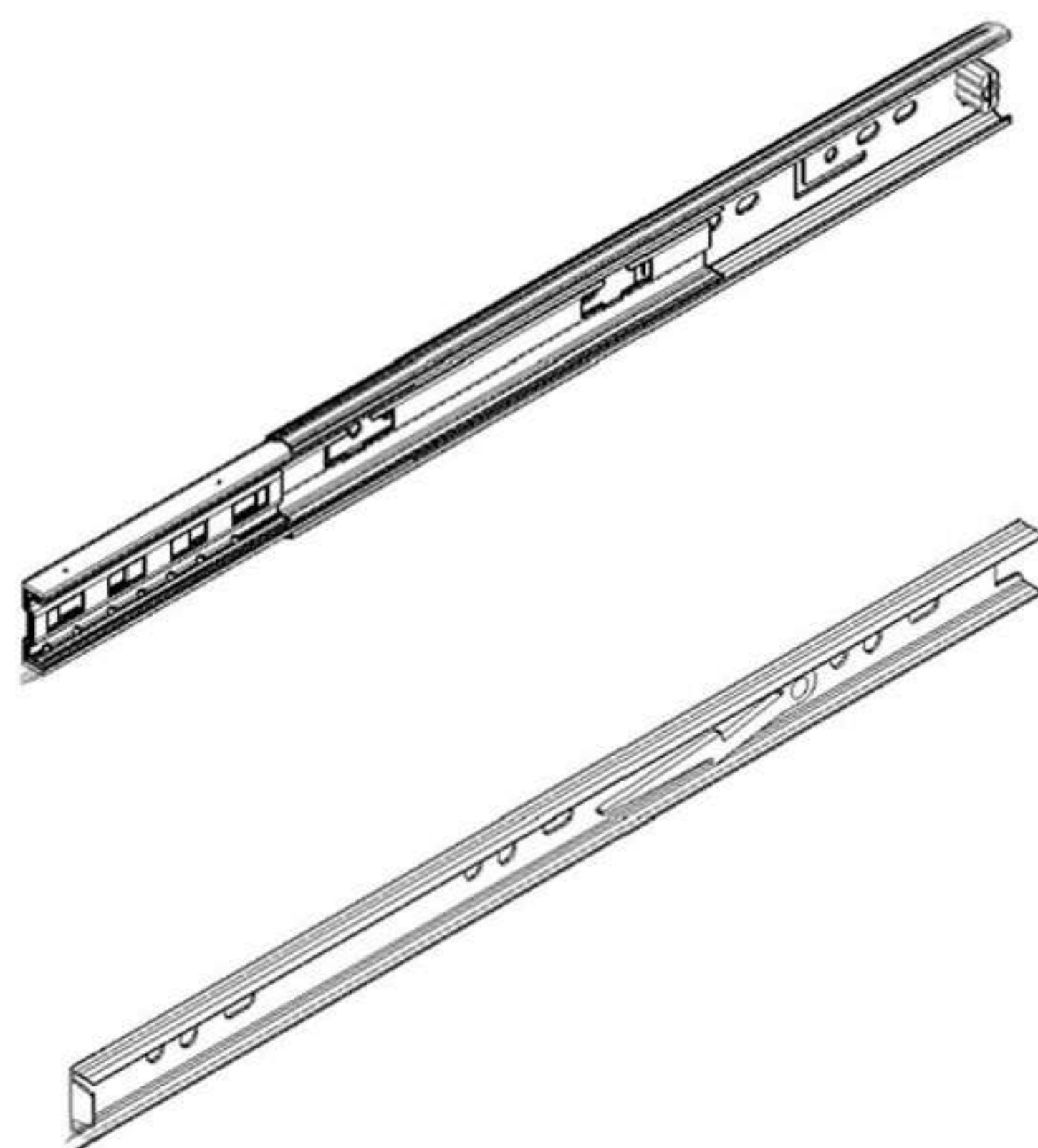
Installation Guide: Threaded Rod, Latch, Pre-drilled Hole A + B



1. Screw the B (Threaded Rod) into the Pre-drilled Hole
2. Insert the installed B into the corresponding hole of the other piece. Press A (Latch) into the hole. Note that the cross arrow corresponds to the insertion direction of the Threaded Rod.
3. Use a cross screwdriver to tighten Latch clockwise. Be careful not to use excessive force.

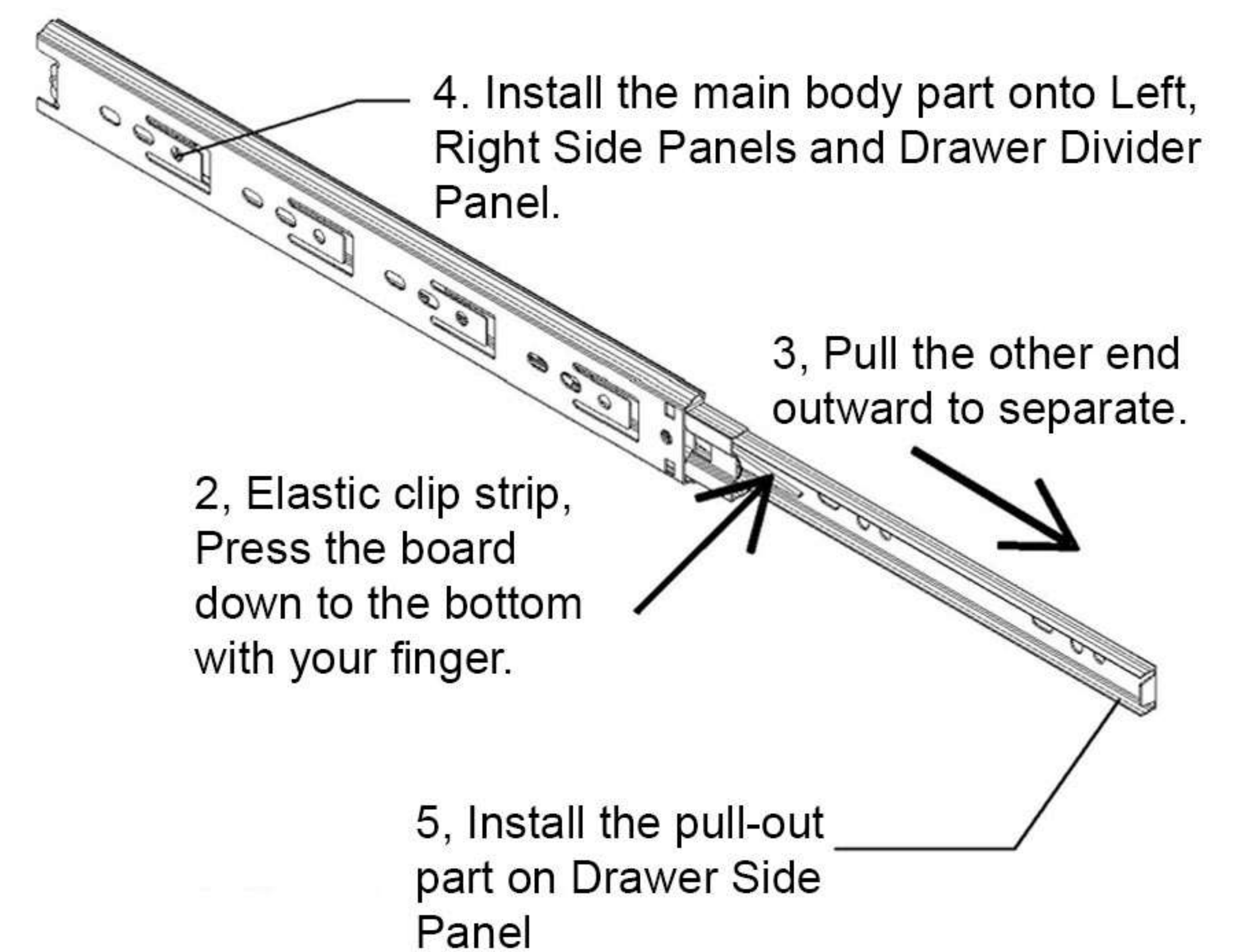
J (Sliding Rail) Installation Instructions When installing J, use with screw F

1, Separate J (Sliding Rail)

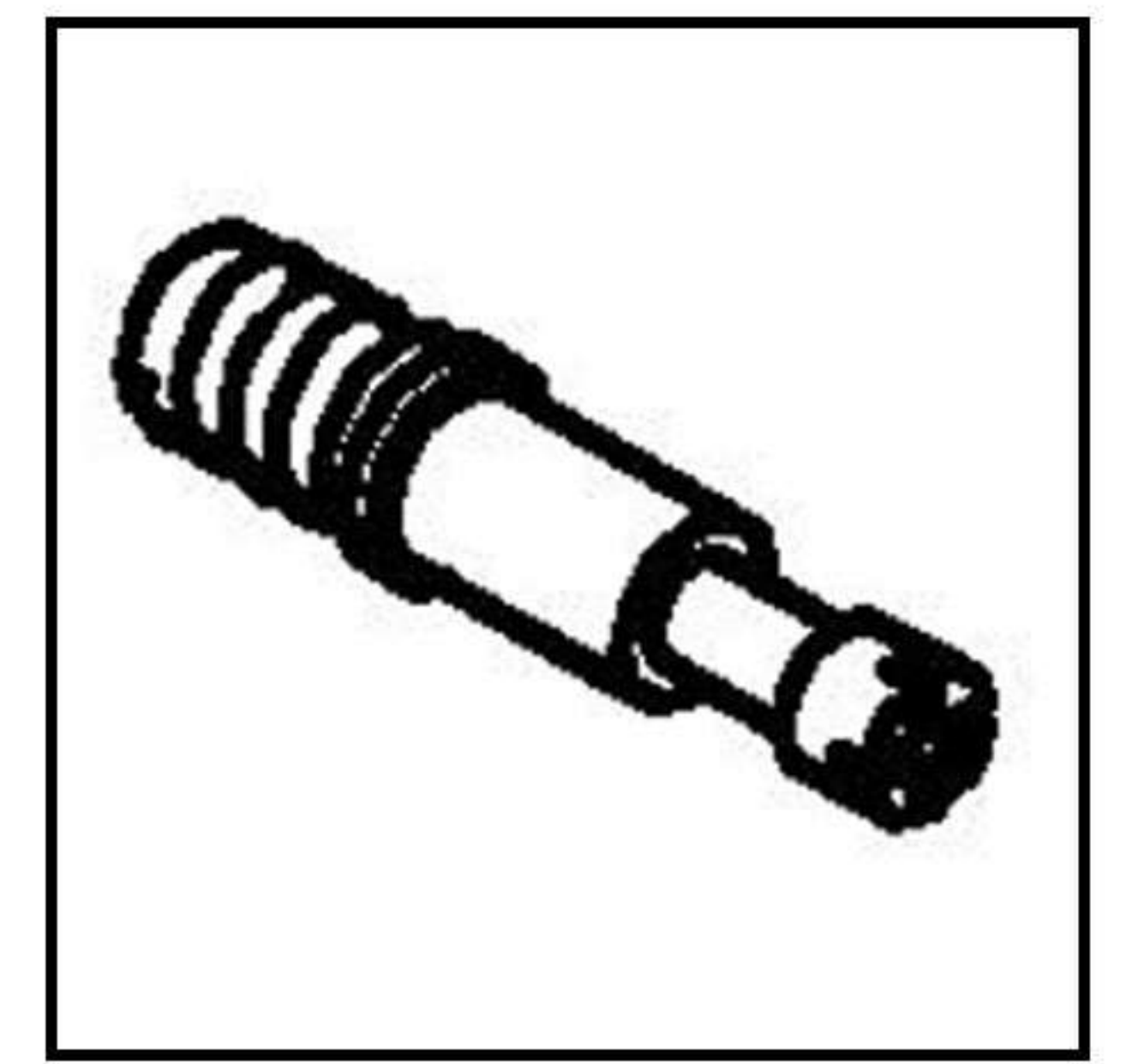


The main body part

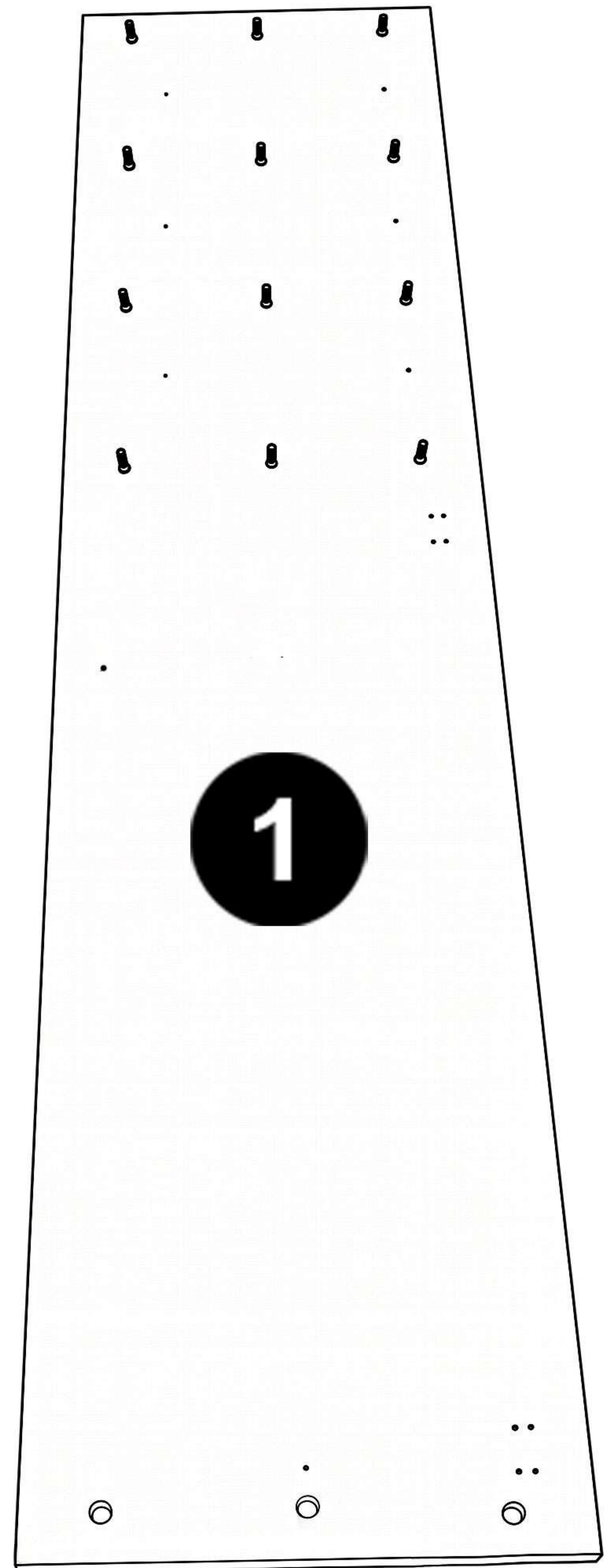
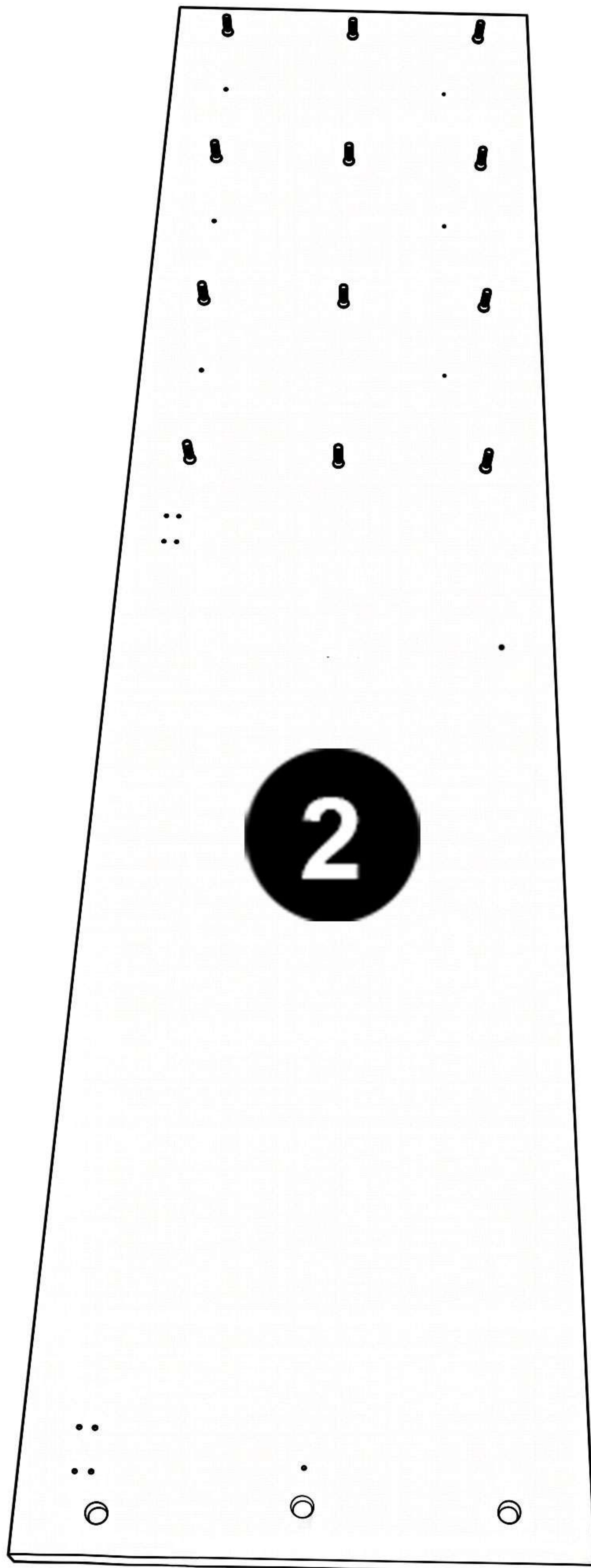
The pull-out part



Step 1:

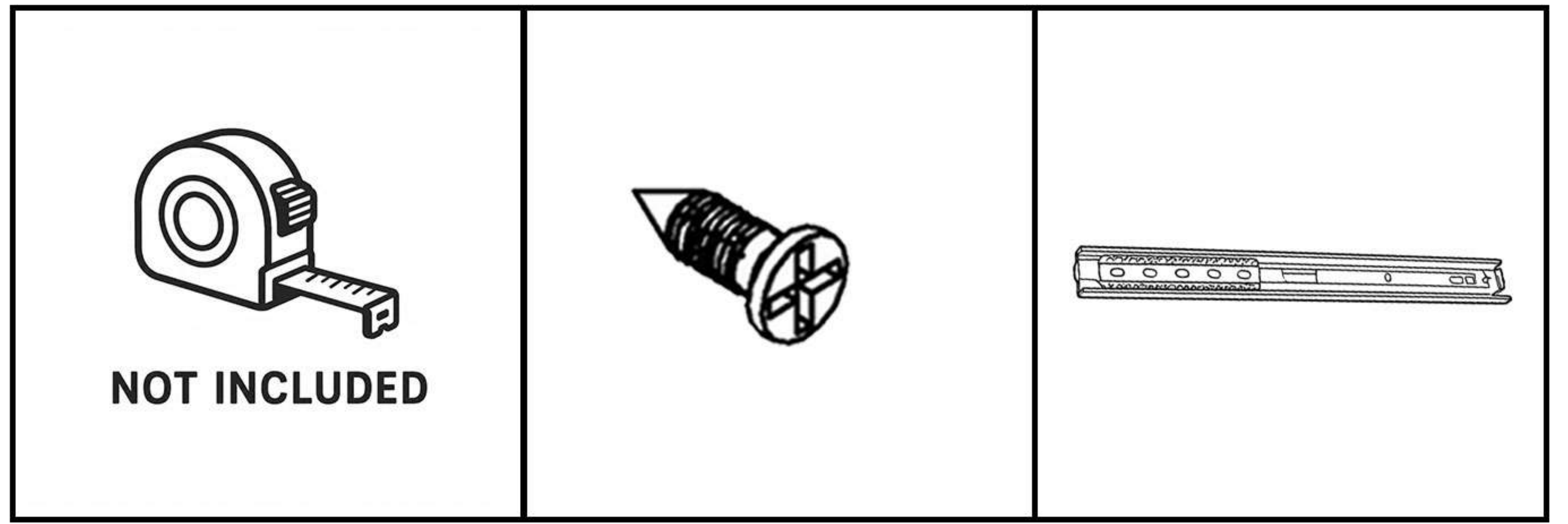


B



Install B in all pre-drilled holes with inserts.

Step 2:

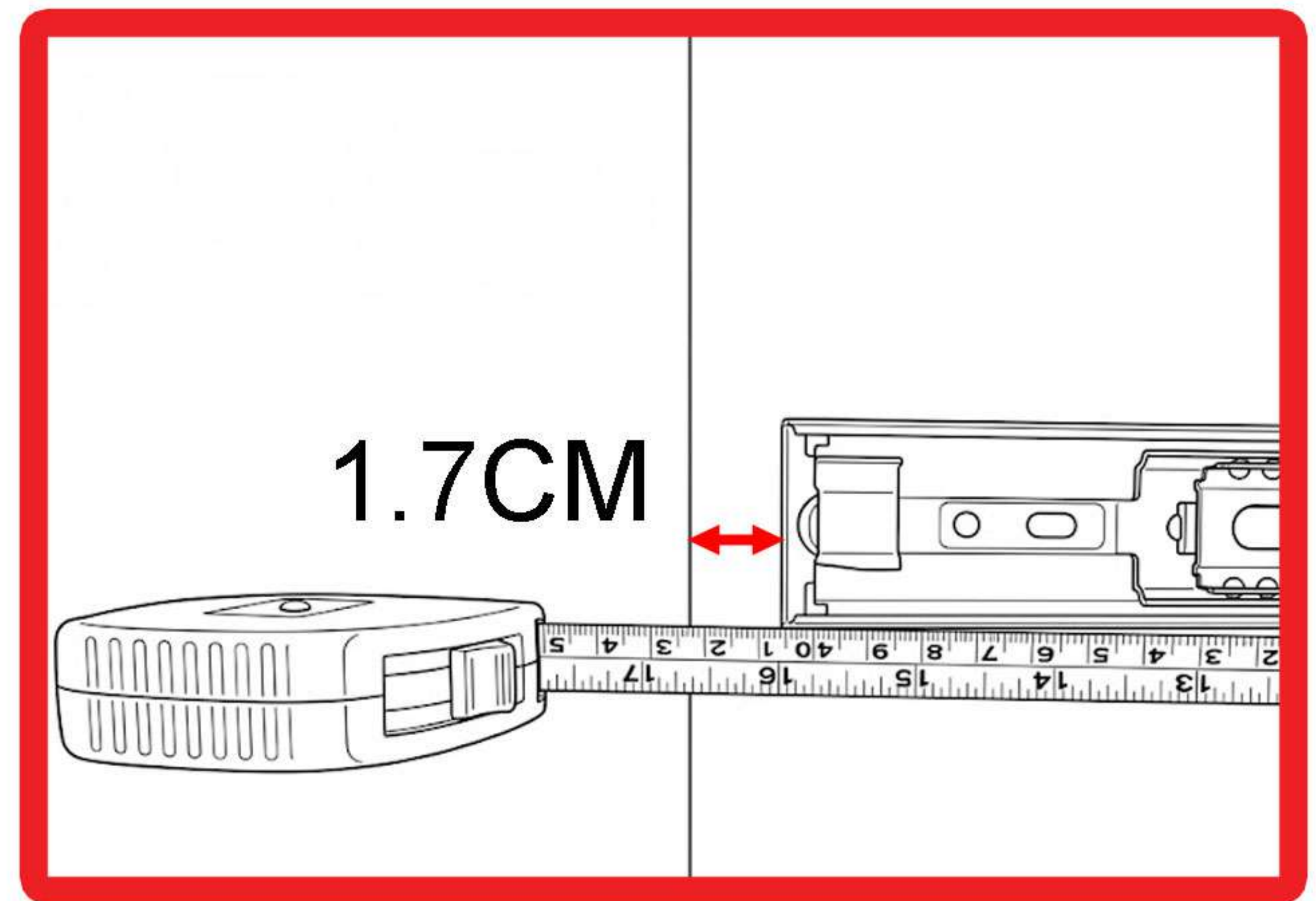
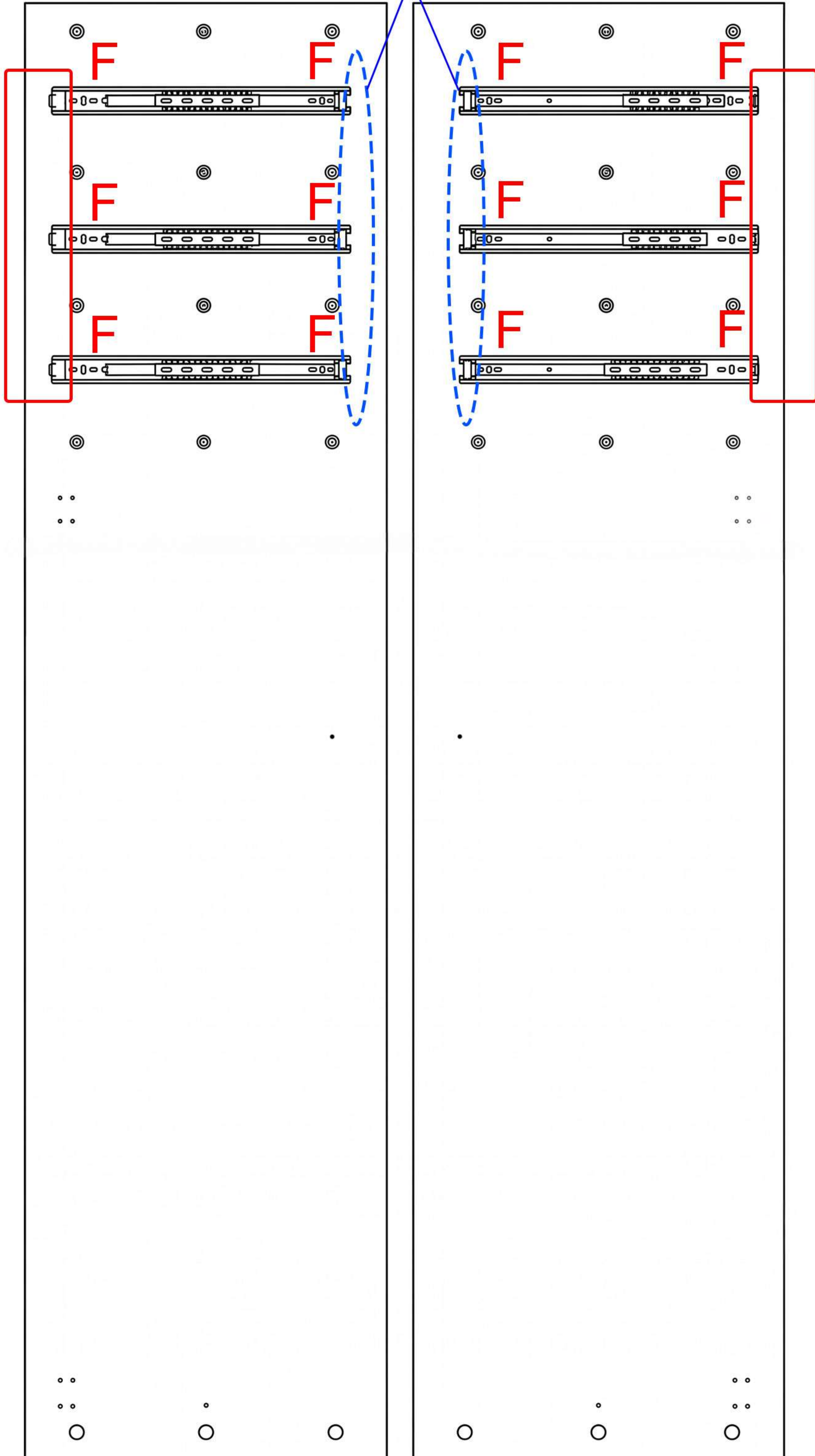


F

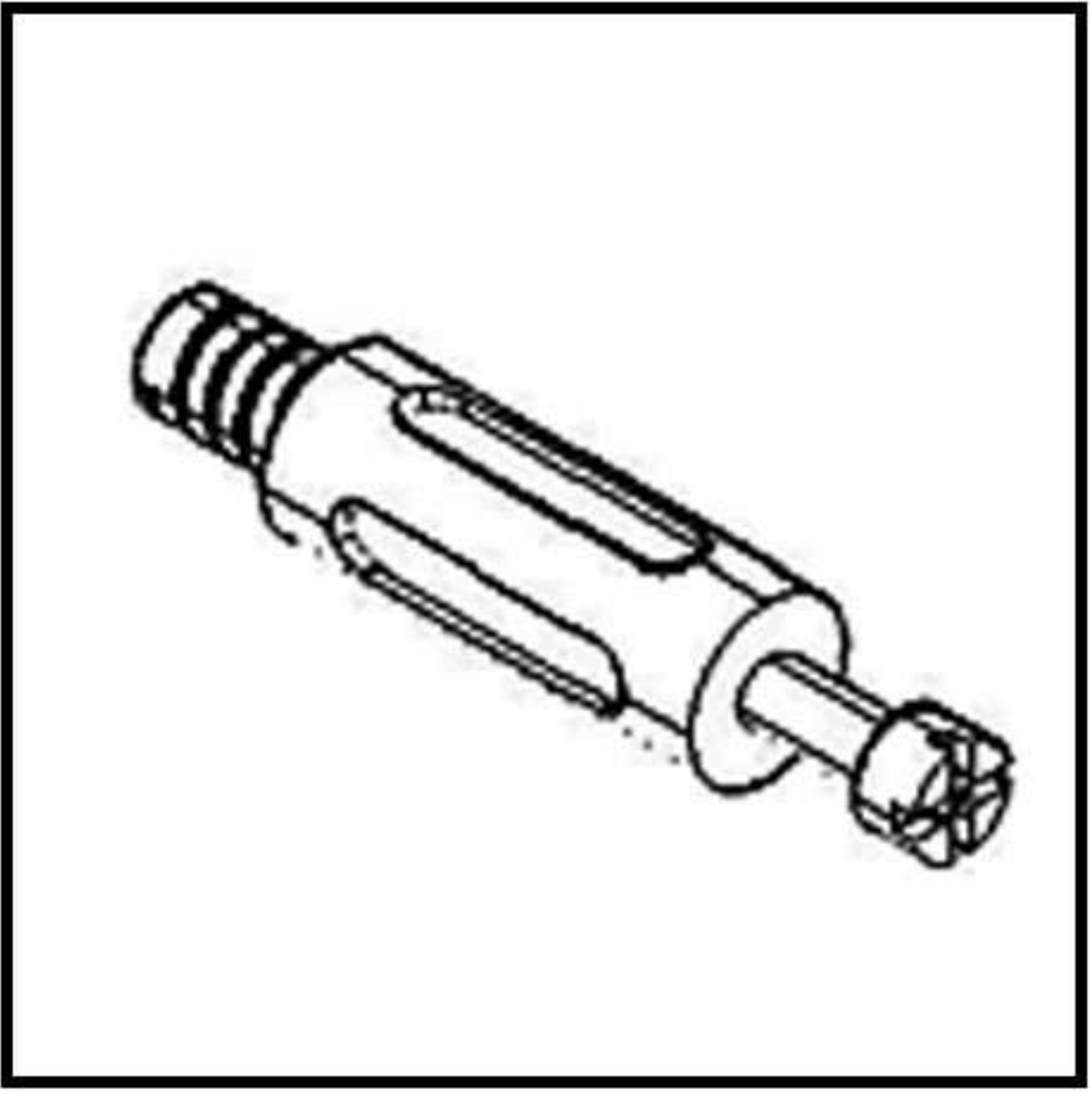
J

The main body part

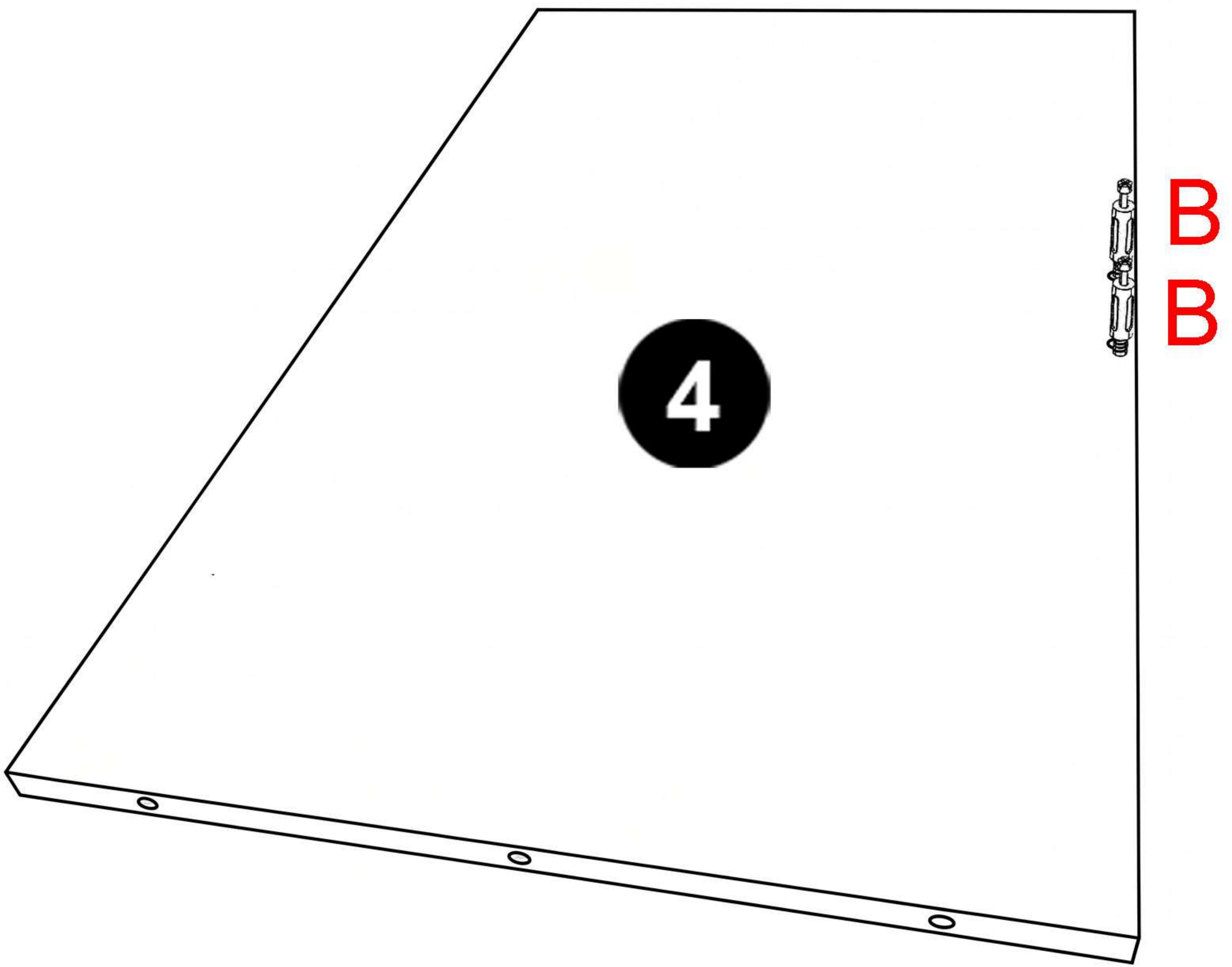
Closed



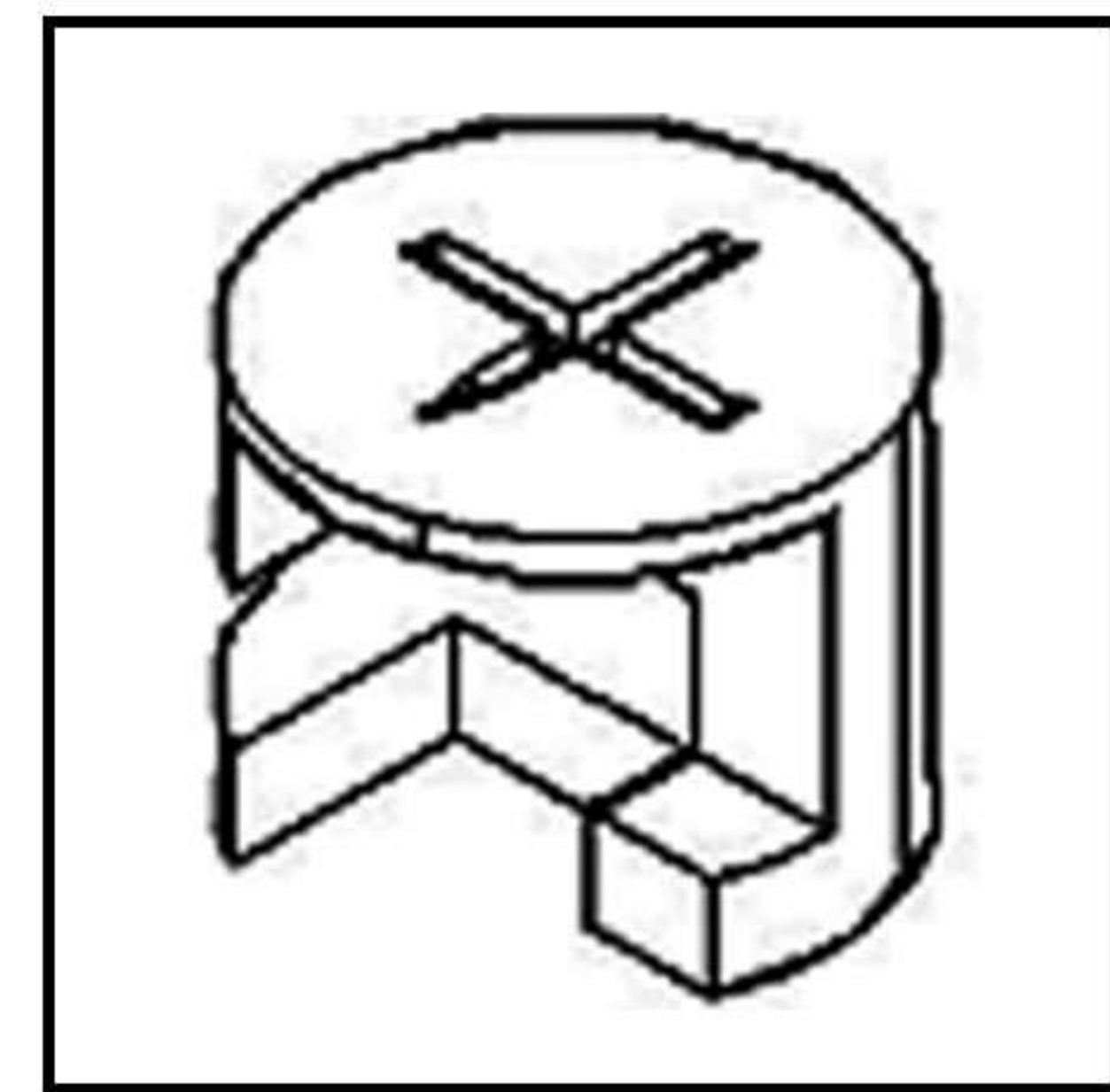
Step 3:



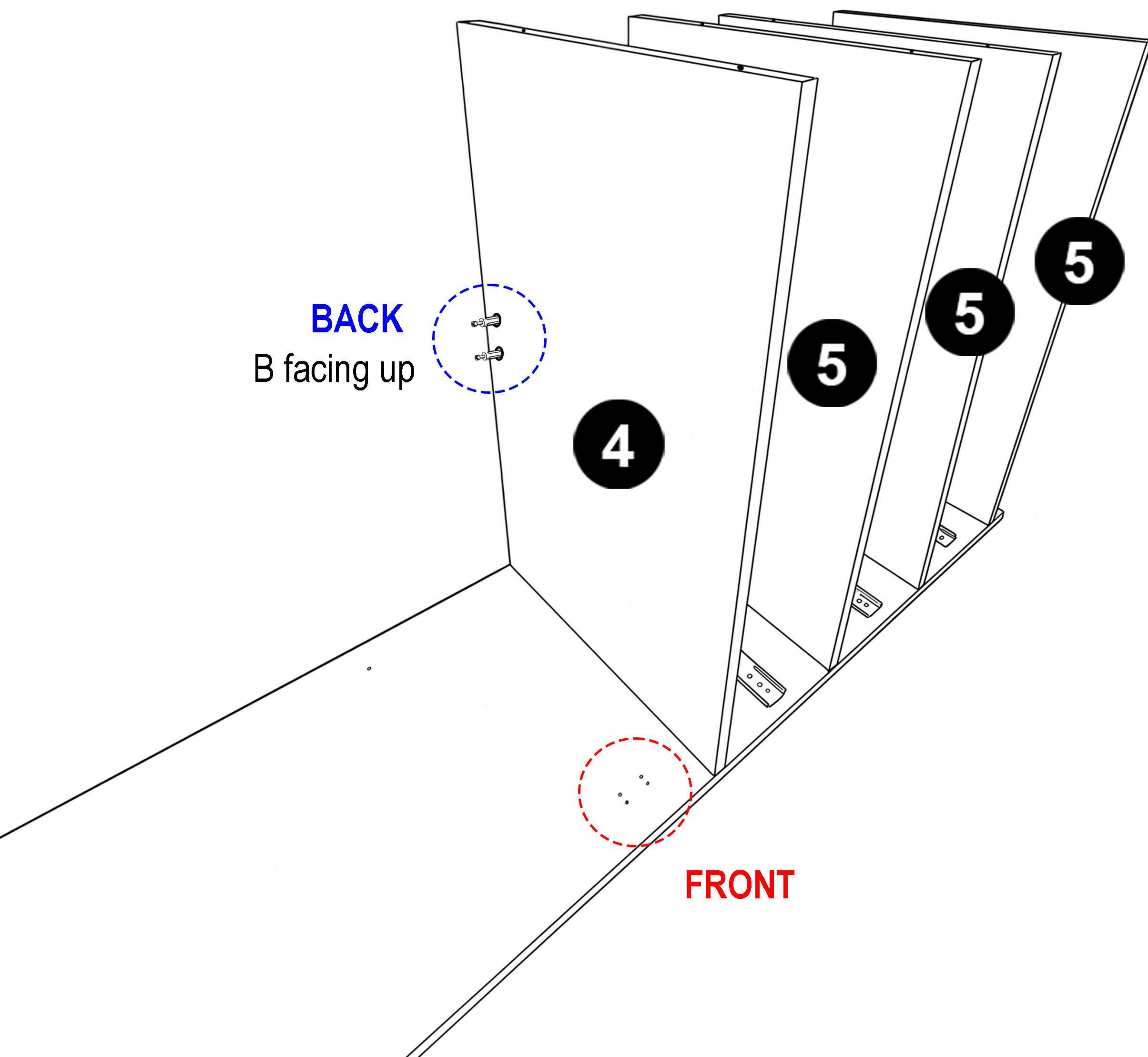
B



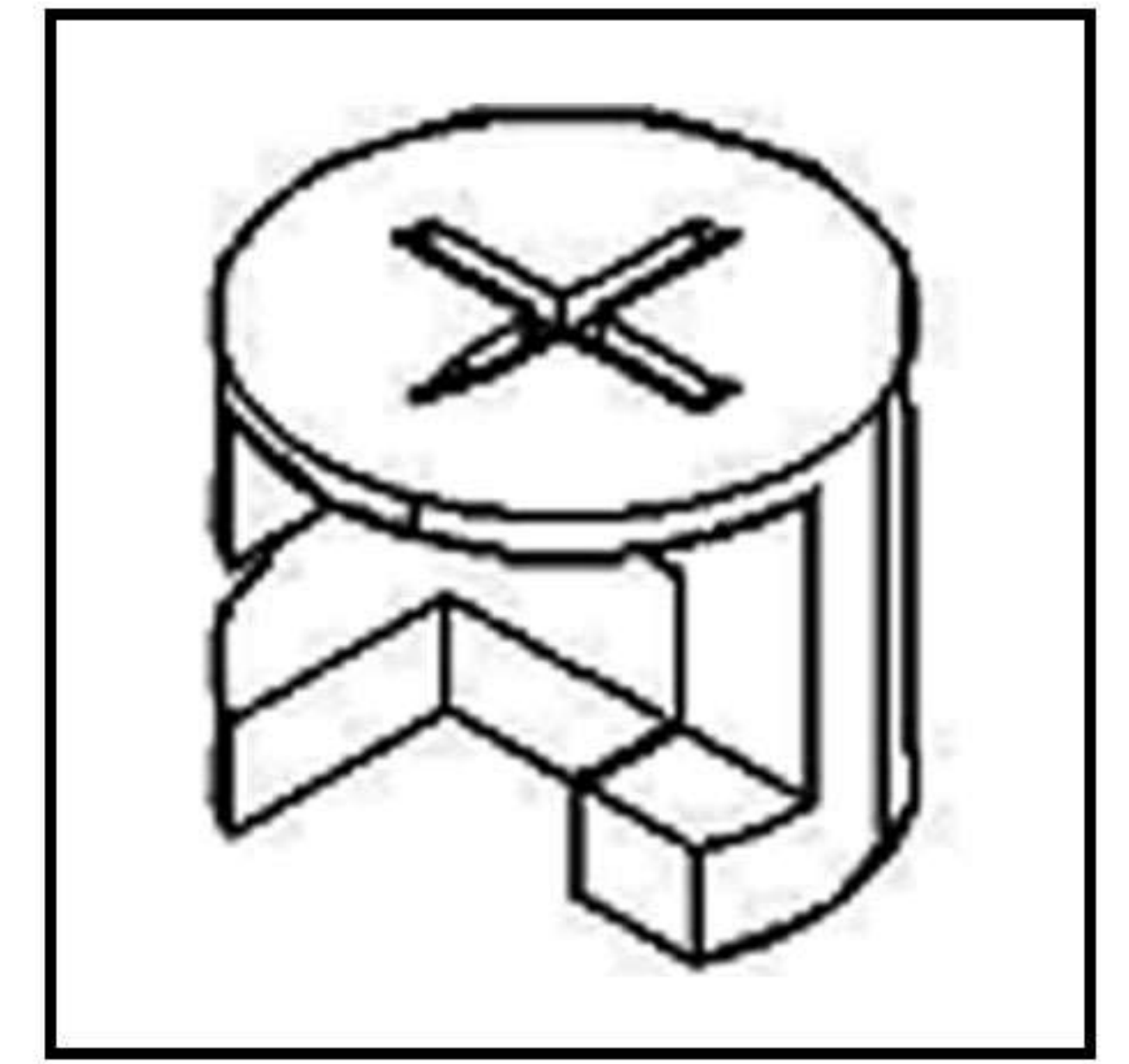
Step 4:



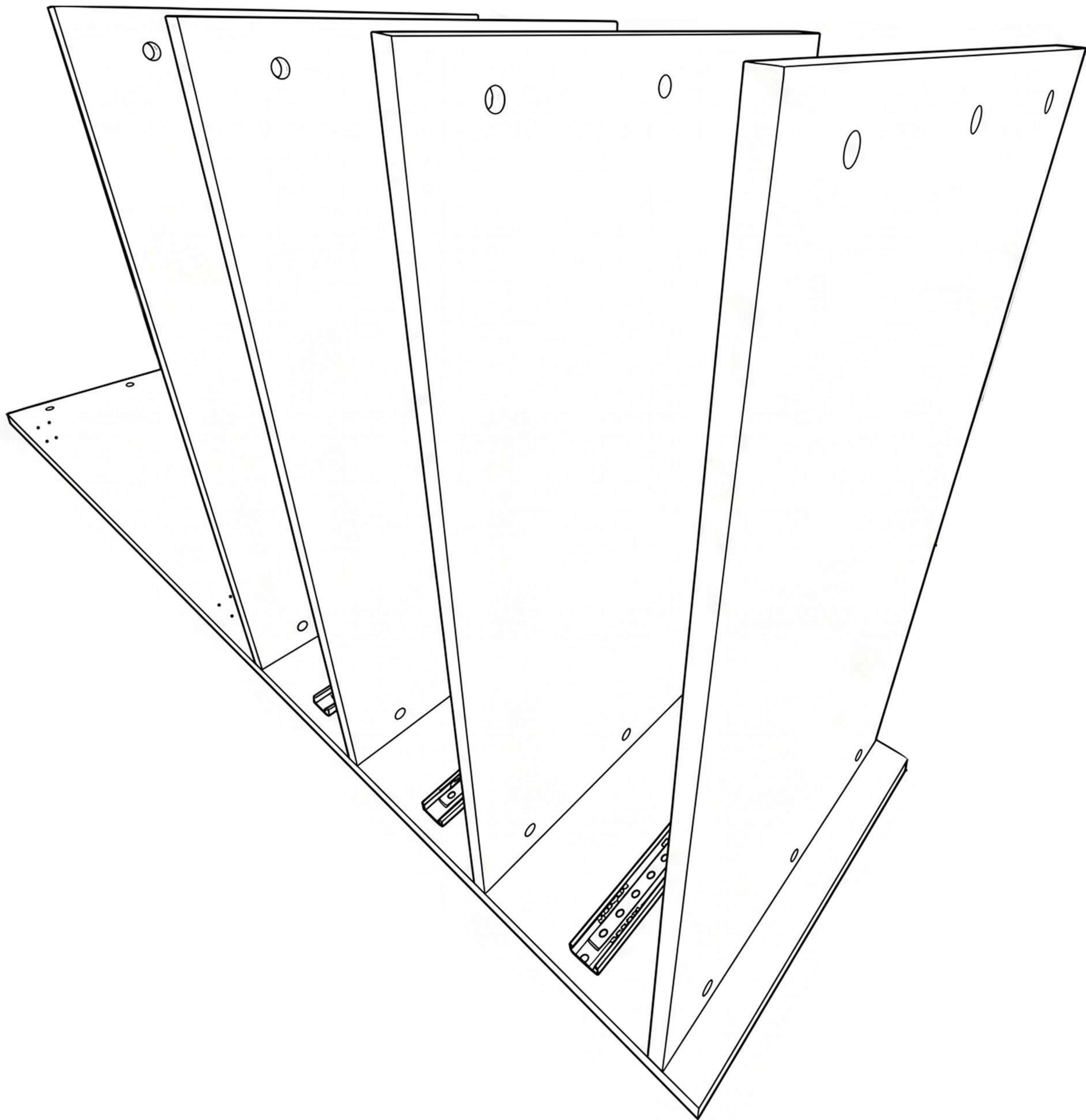
A



Step 5:

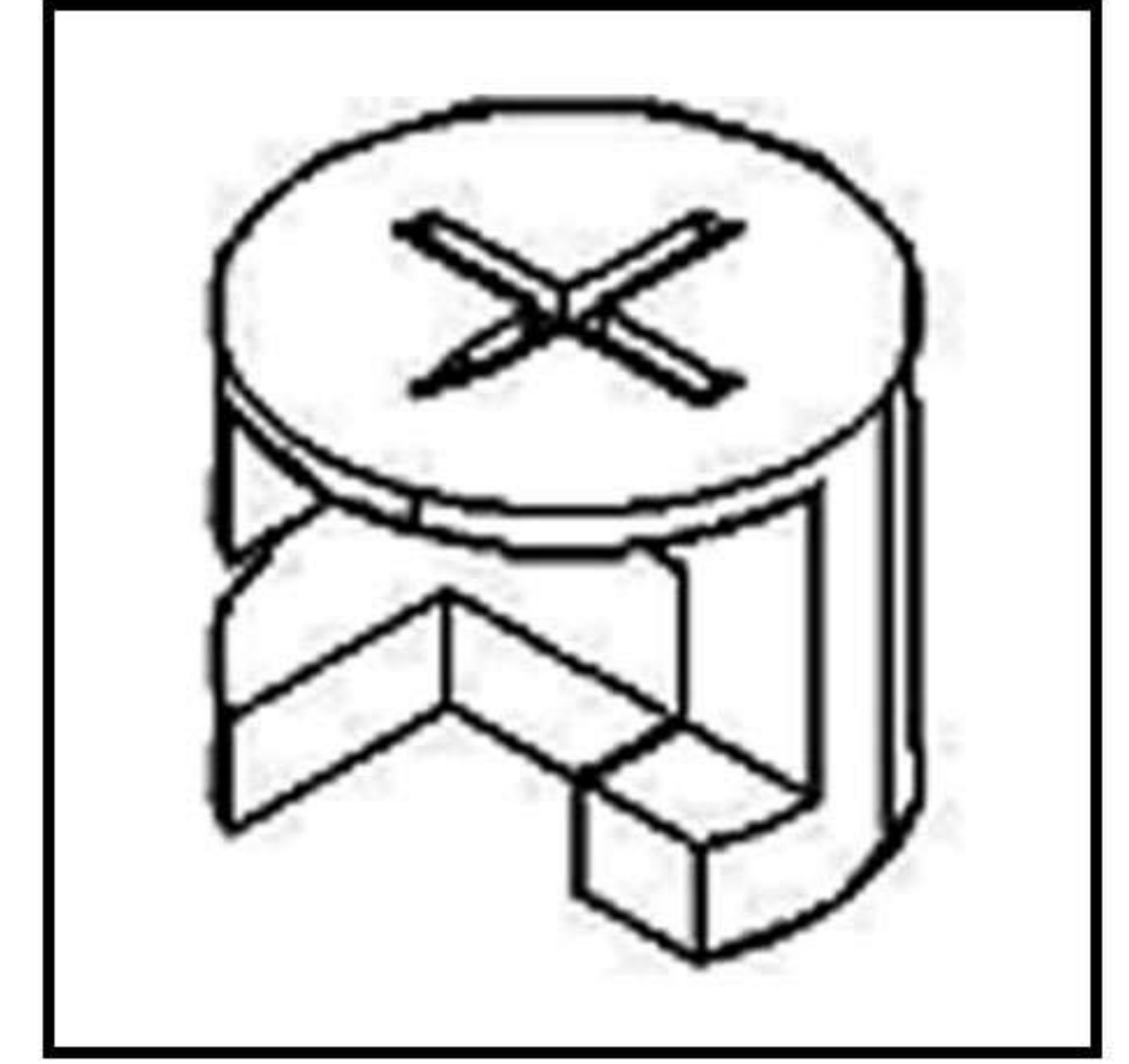


A

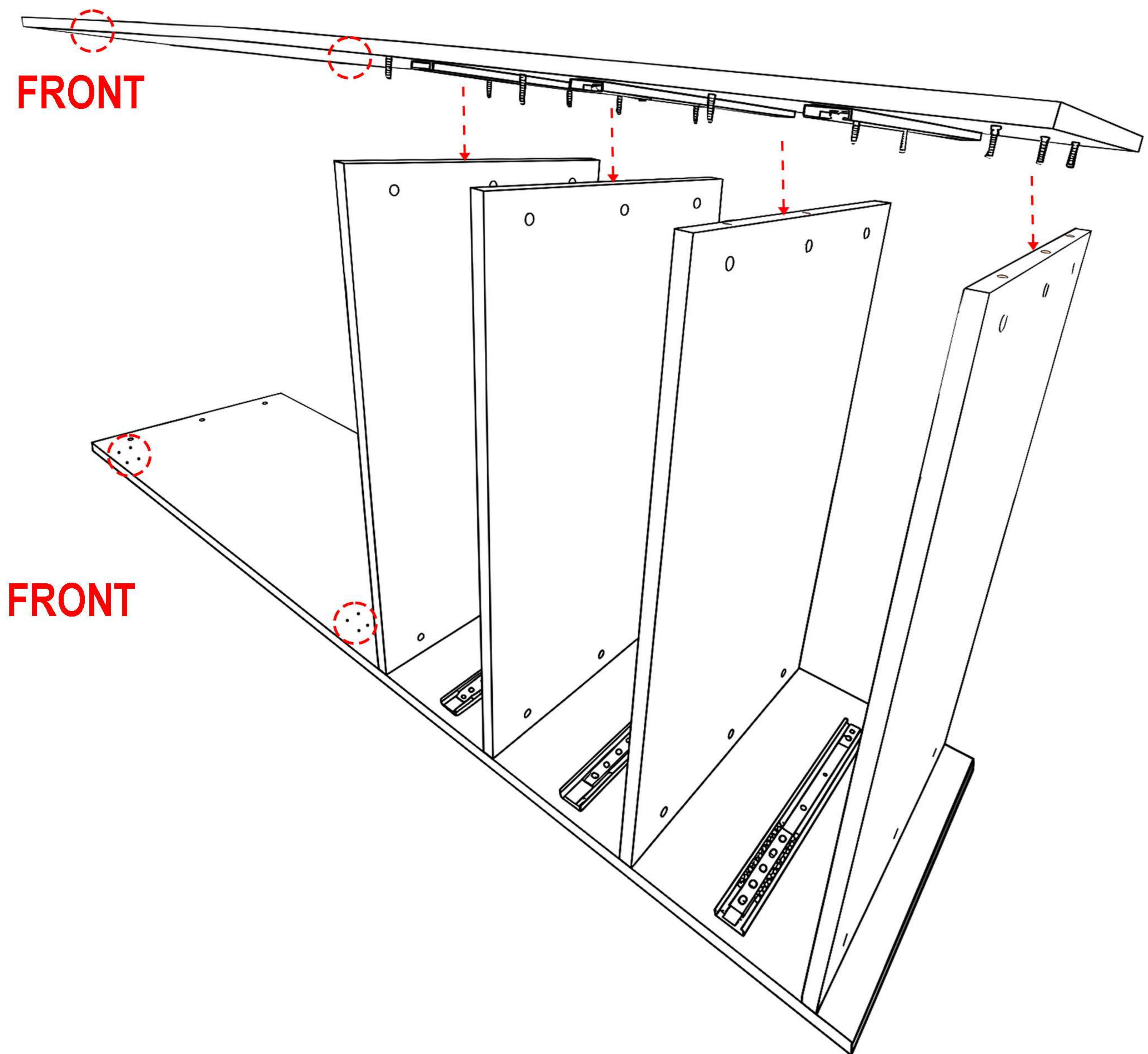


Make sure the large round hole is facing downward and tighten with A

Step 6:

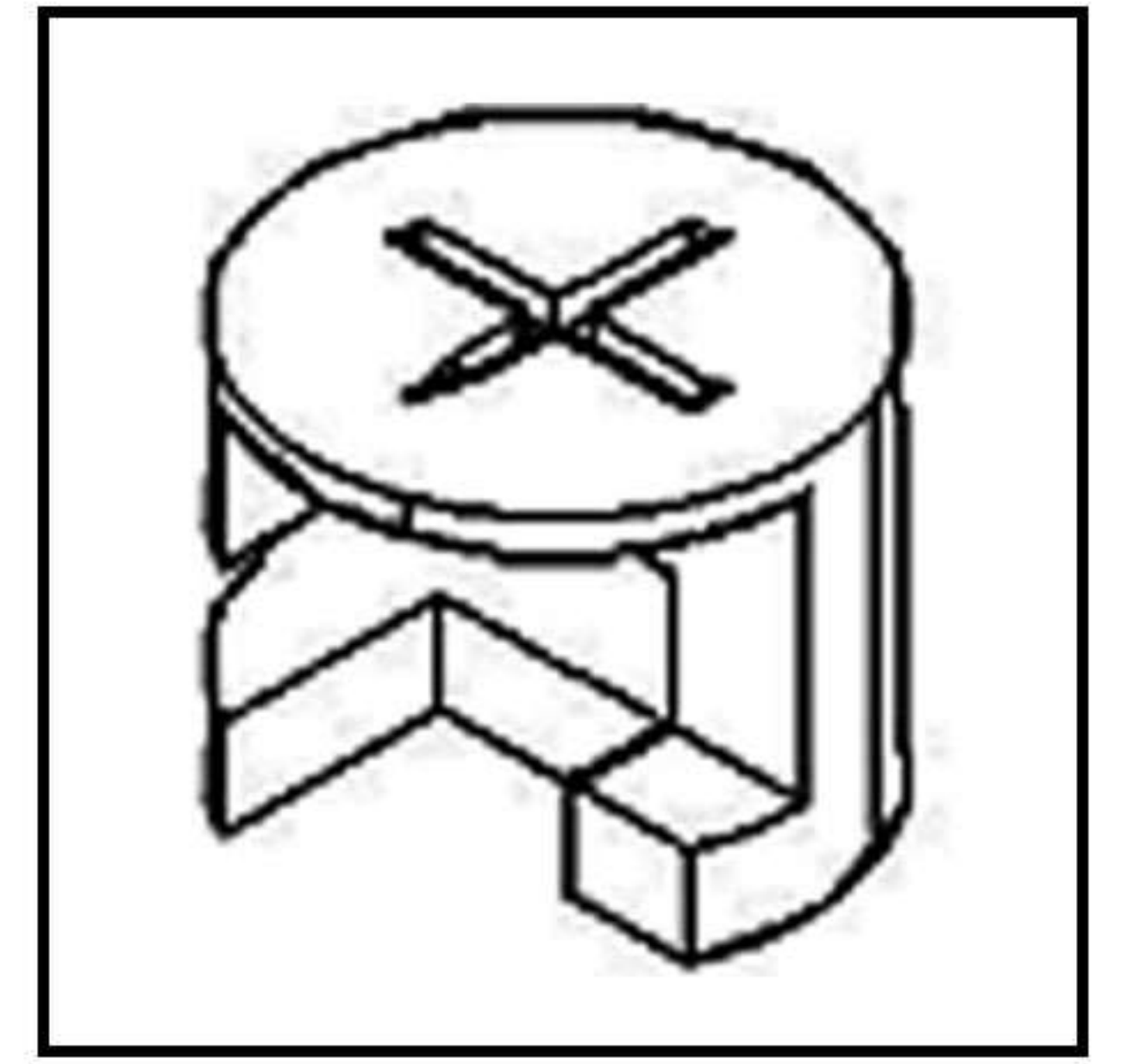


A

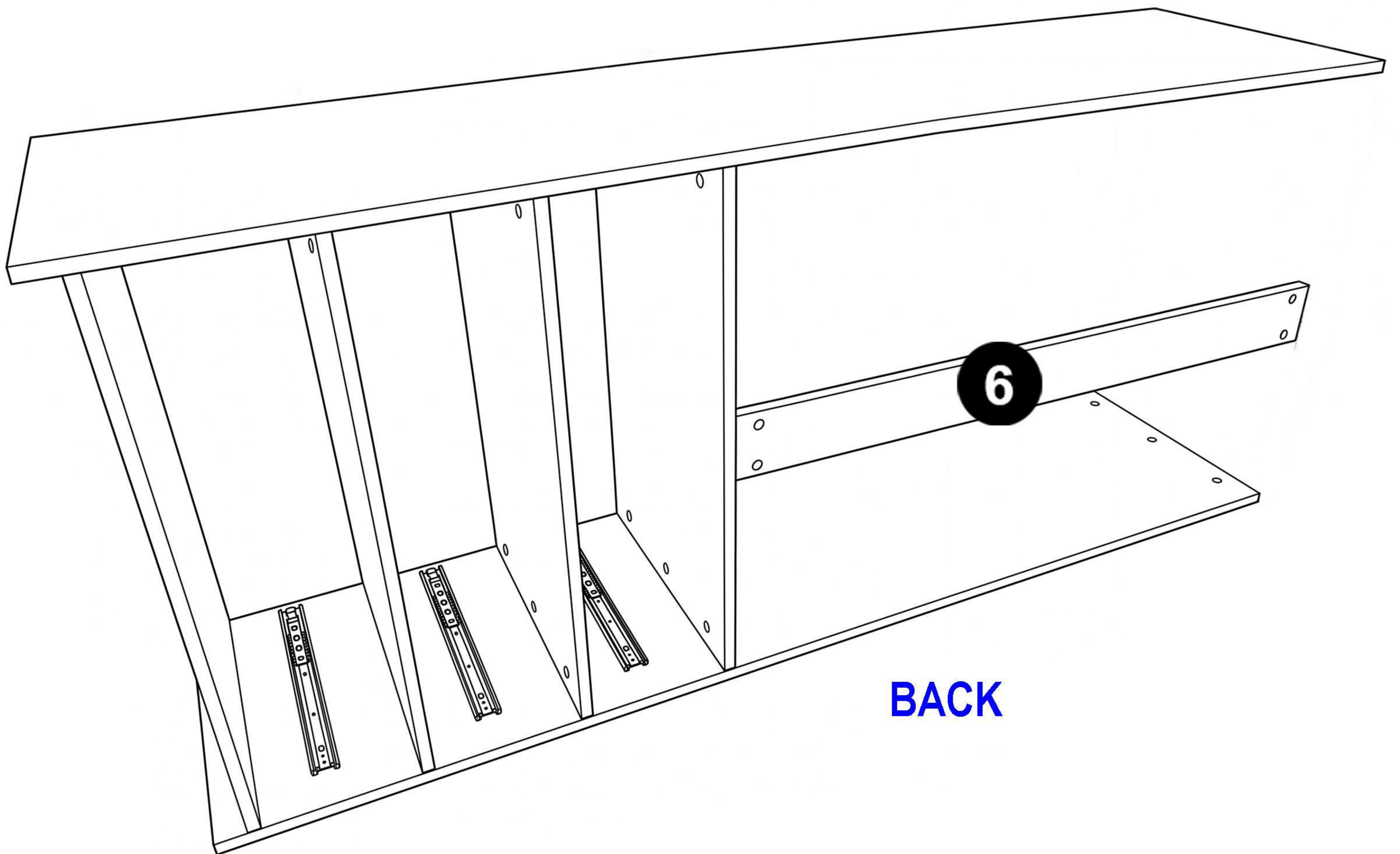


Secure with A.

Step 7:



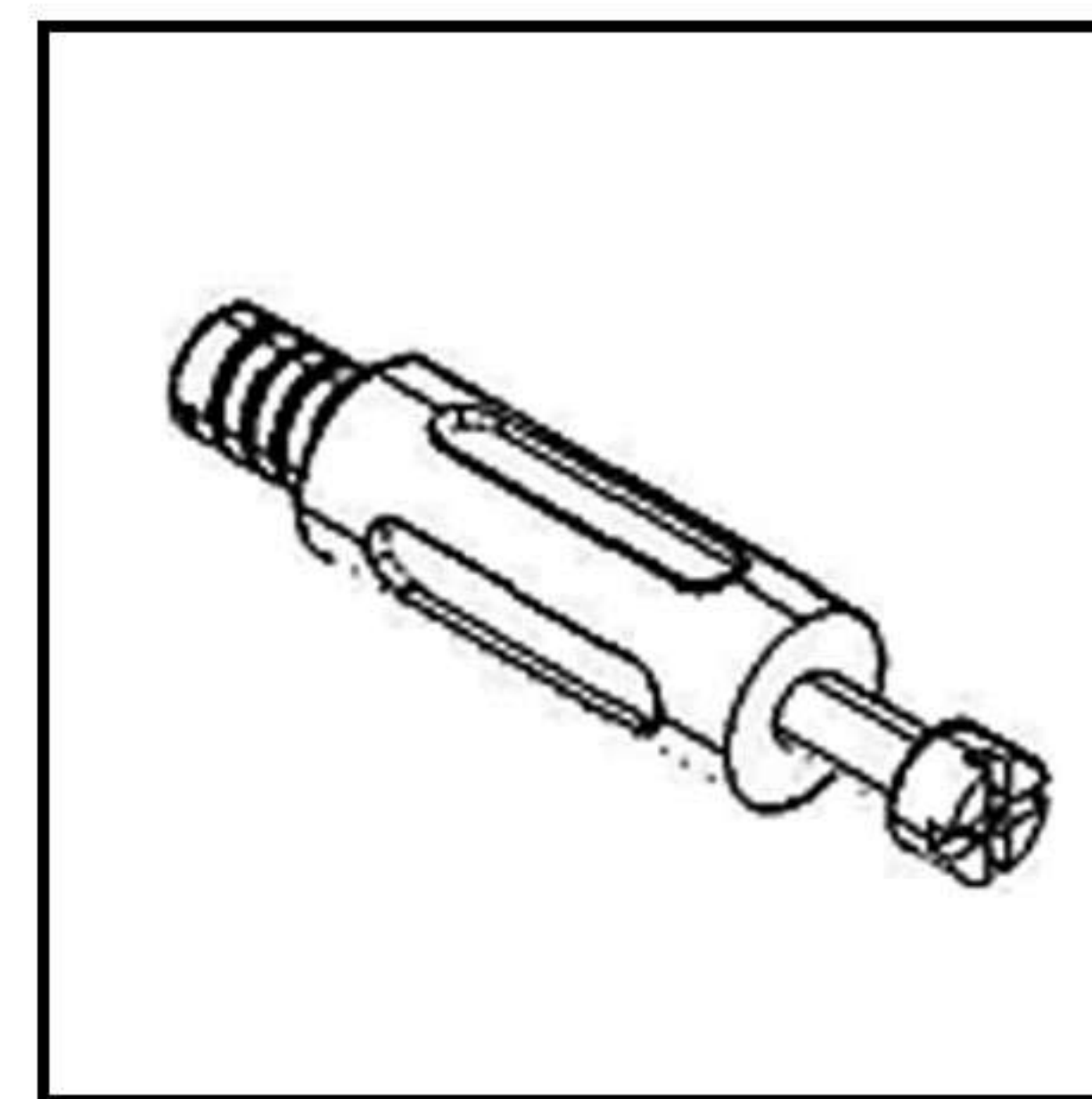
A



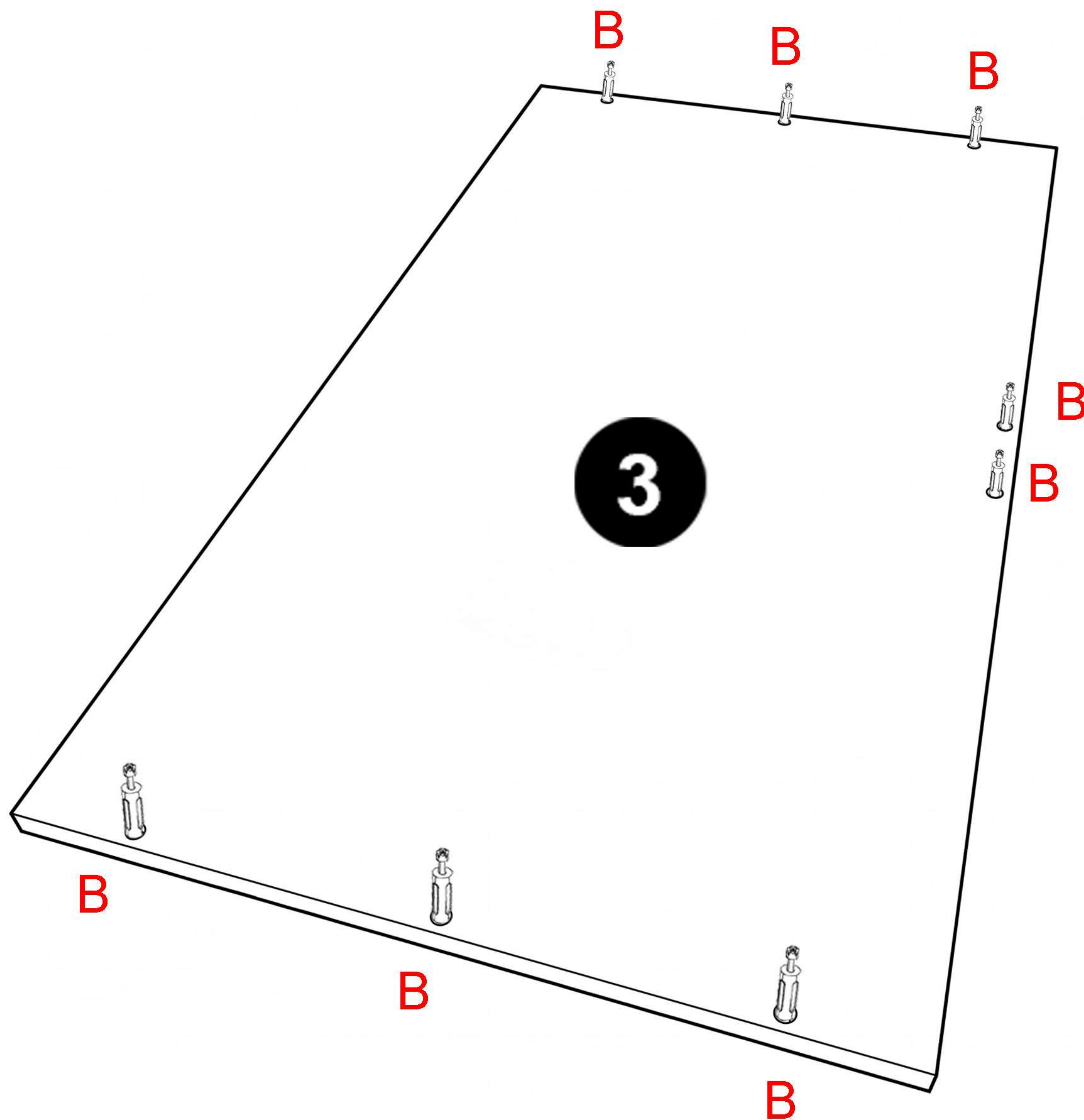
Make sure the large round hole is backward and tighten with A.

Step 8:

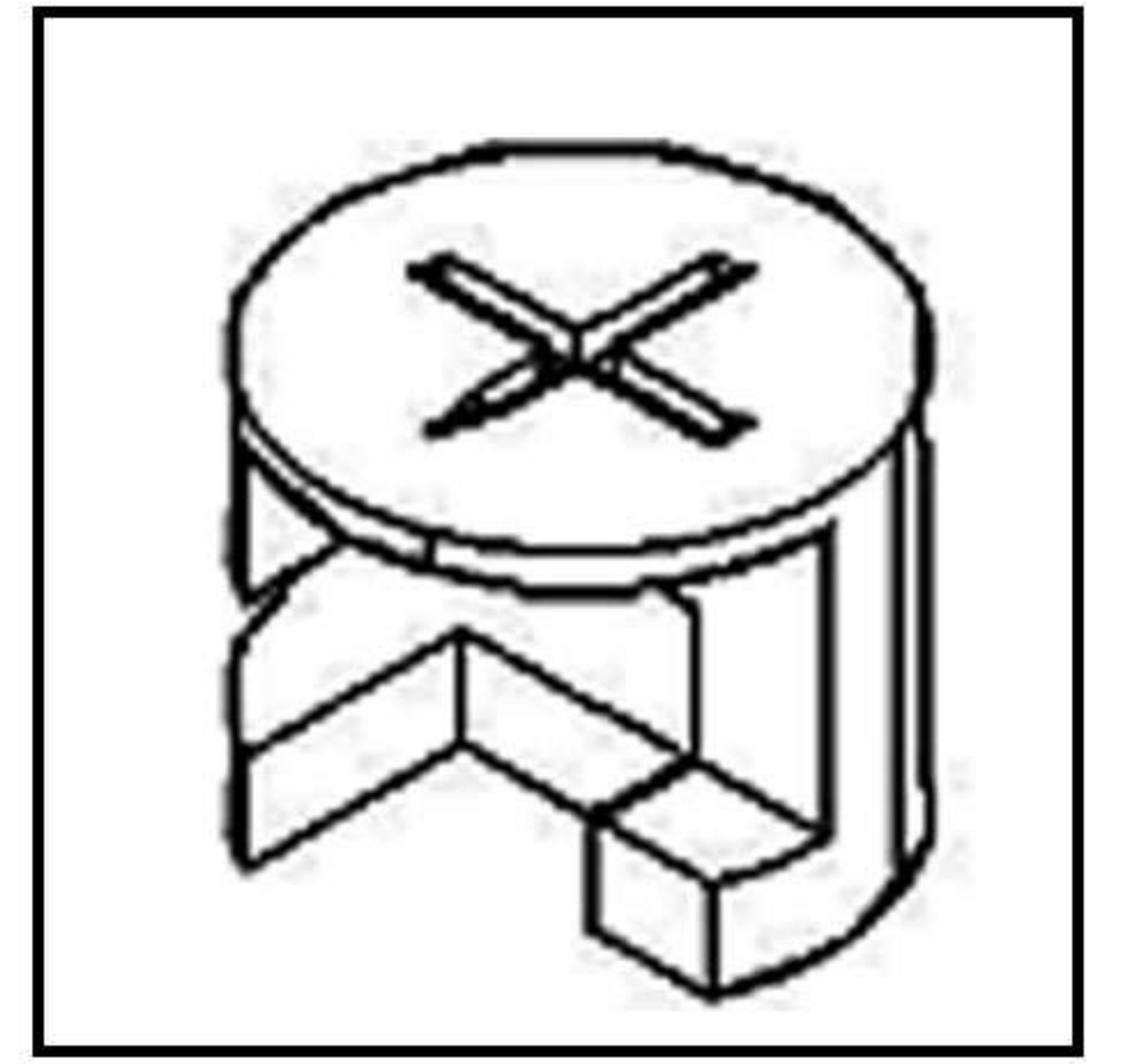
Install B in all pre-drilled holes with inserts.



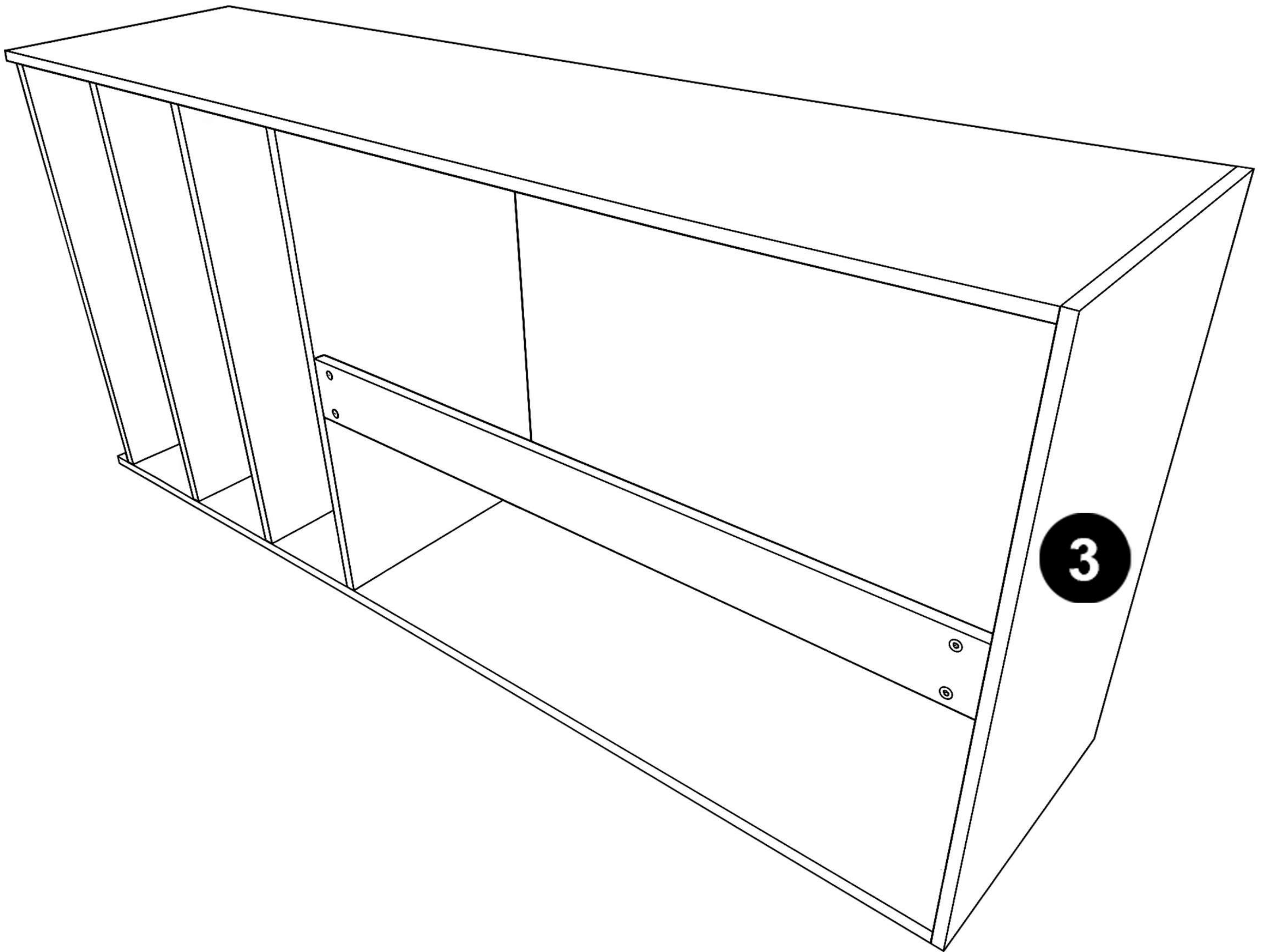
B



Step 9:

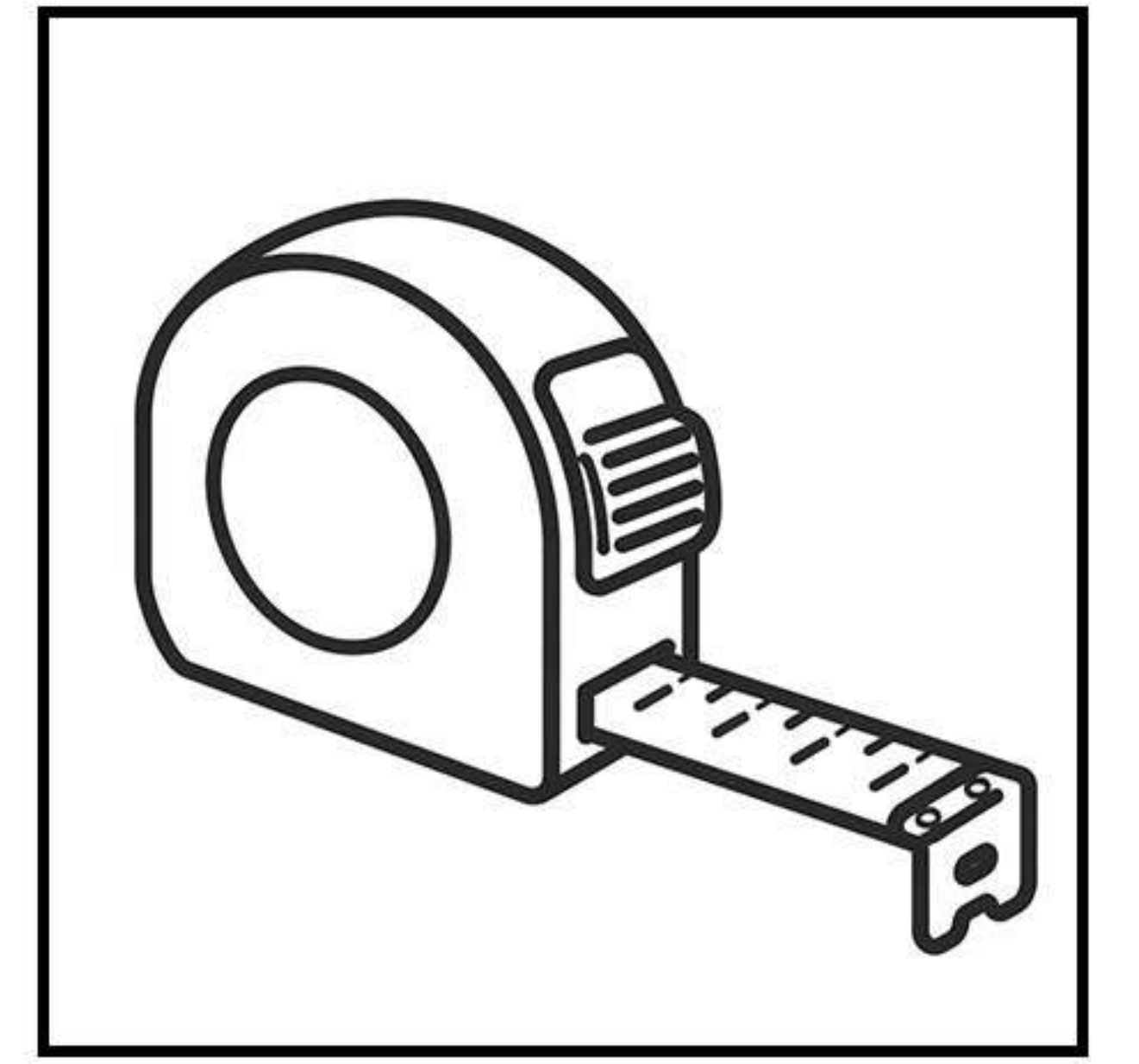


A



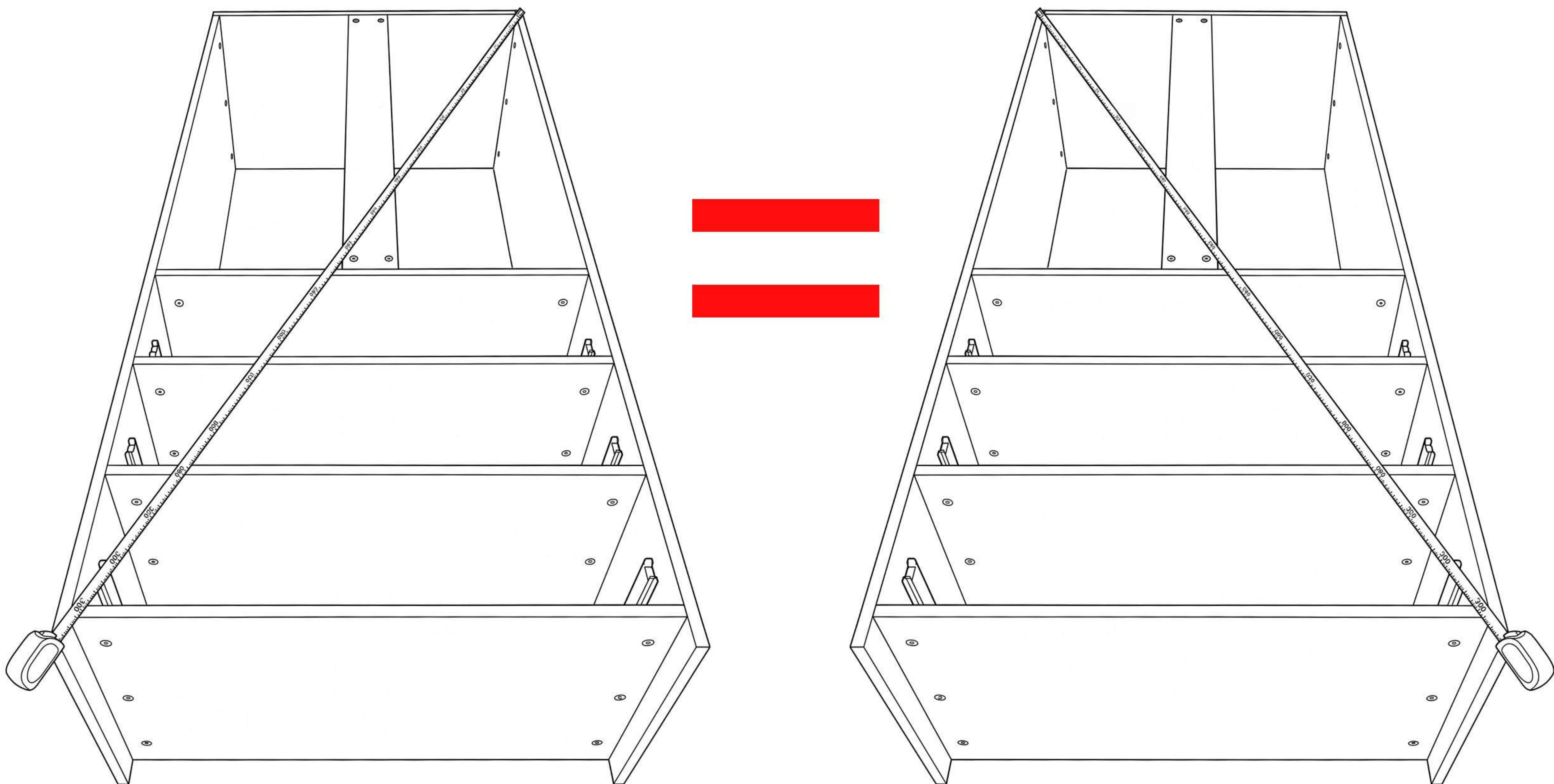
Secure with A.

Step 10:



Flip the cabinet
(back side facing up)

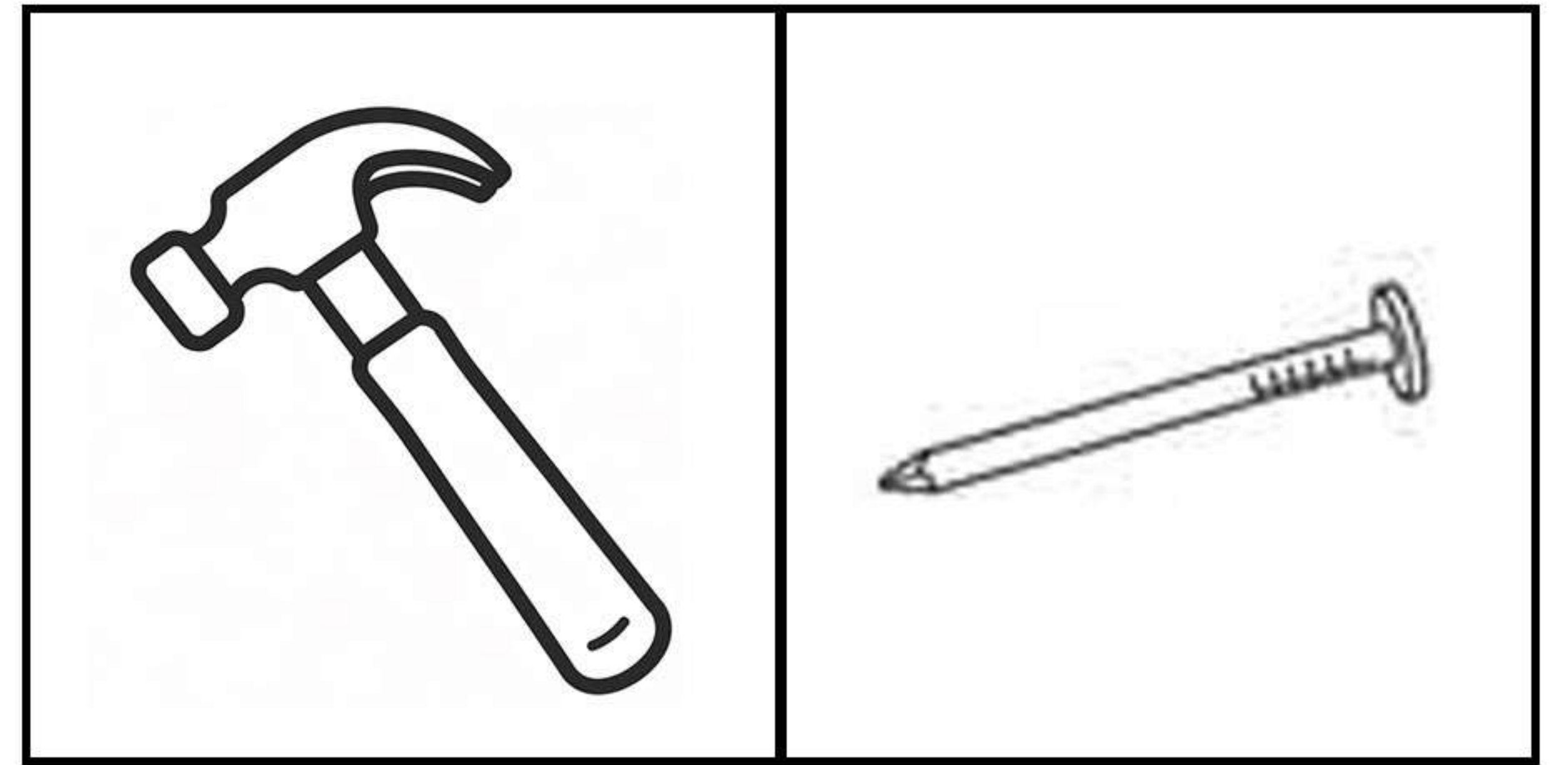
Not included



Measure the two diagonal lengths on the back using a tape measure (**Not included**).

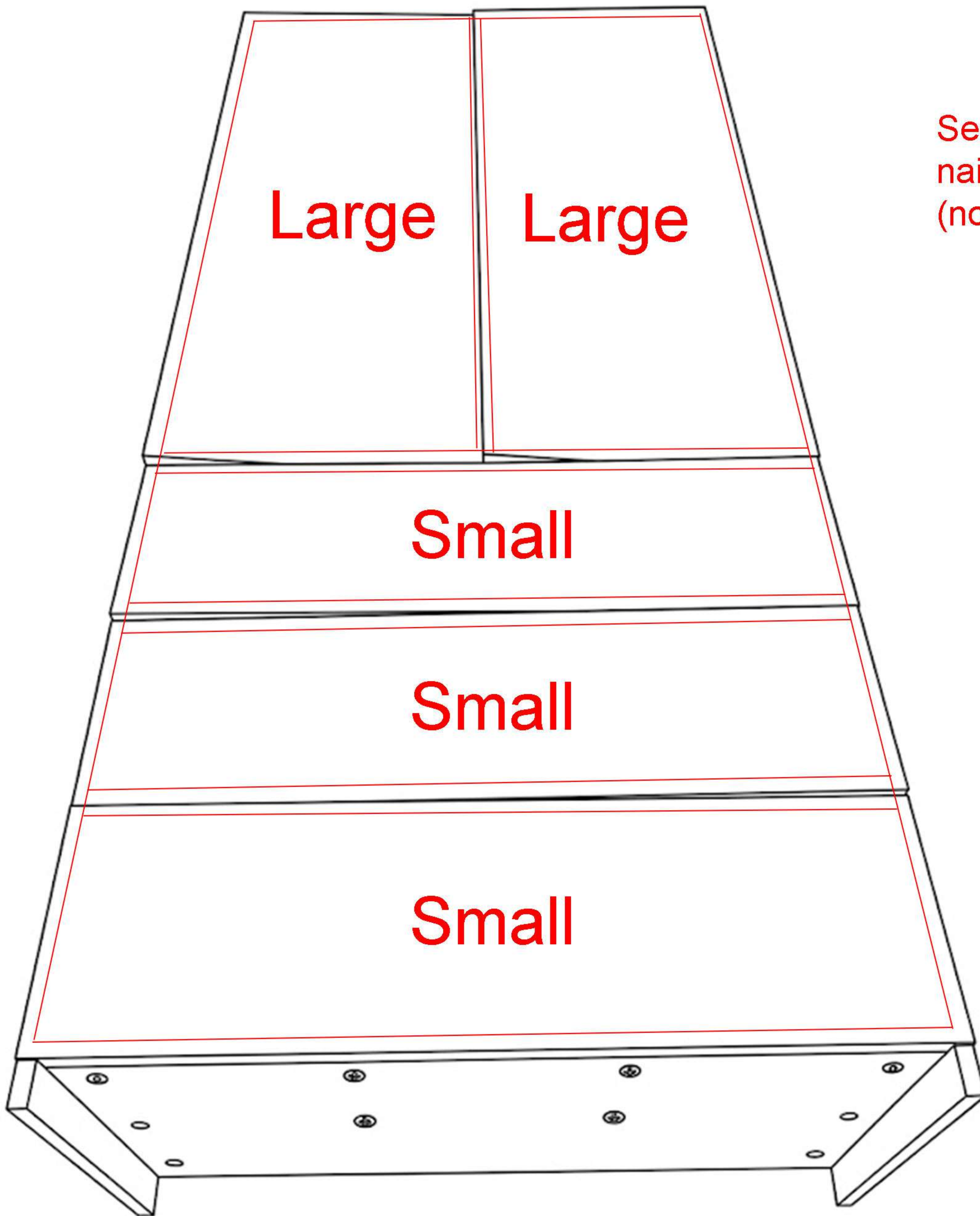
If the measurements are different, adjust the cabinet until they are **equal**, then continue installation.

Step 11:



Not included

D

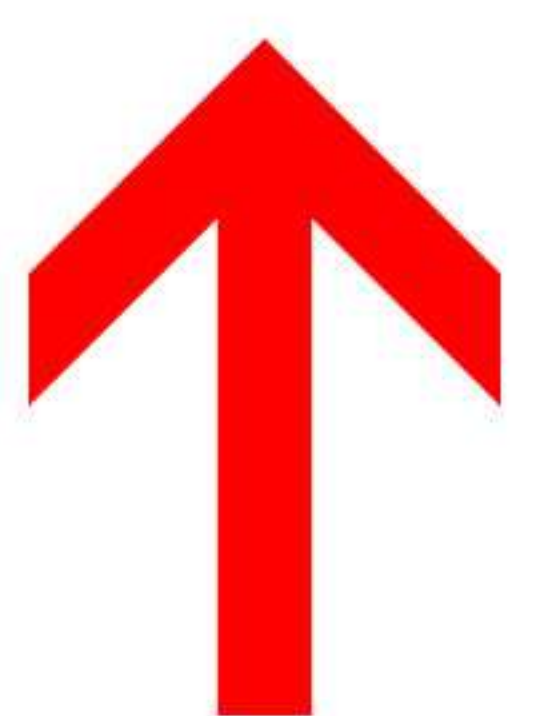


Secure the back panel with F nails. A small hammer is required (not included).

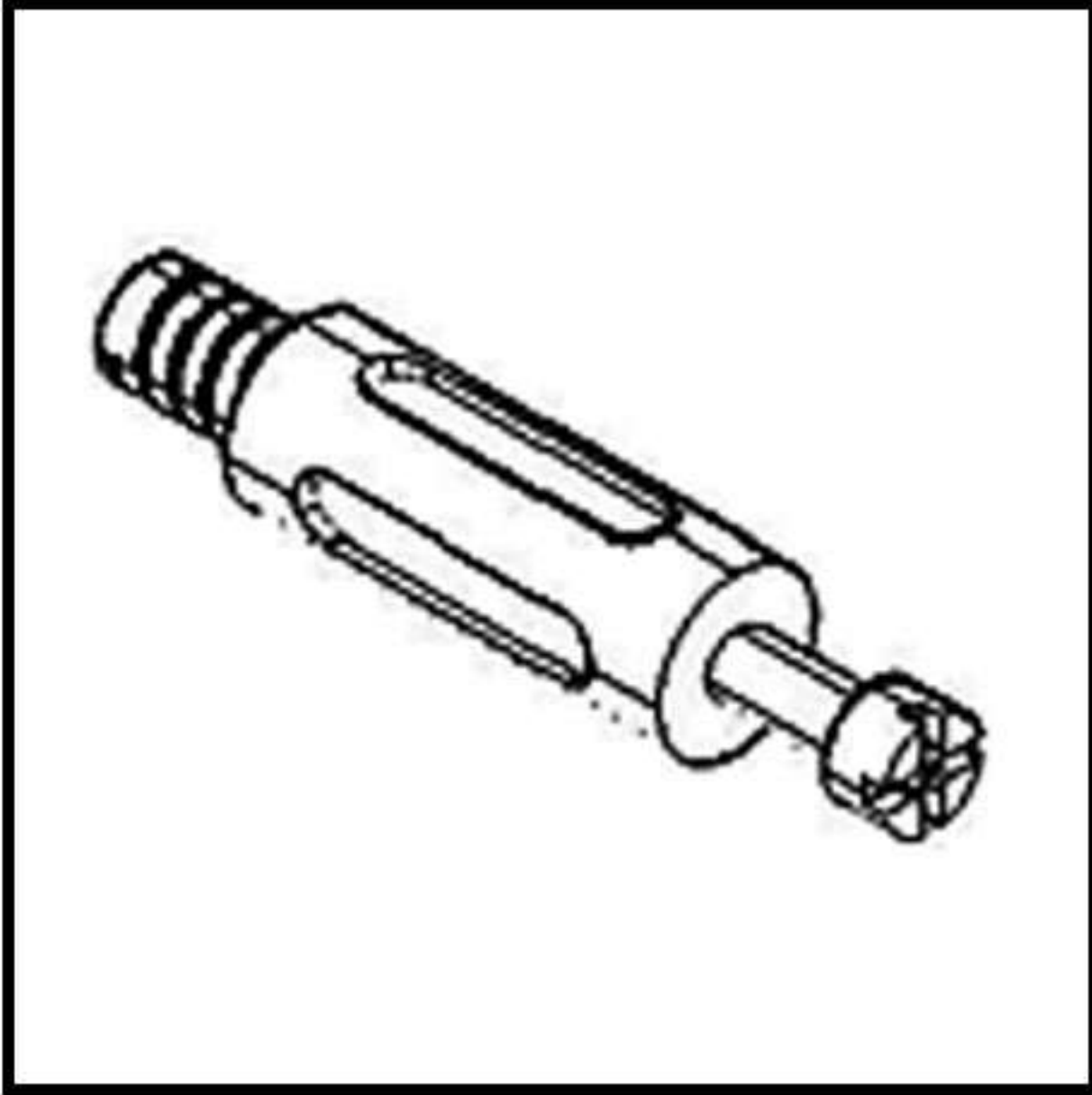
Small x 3

Large
X 2

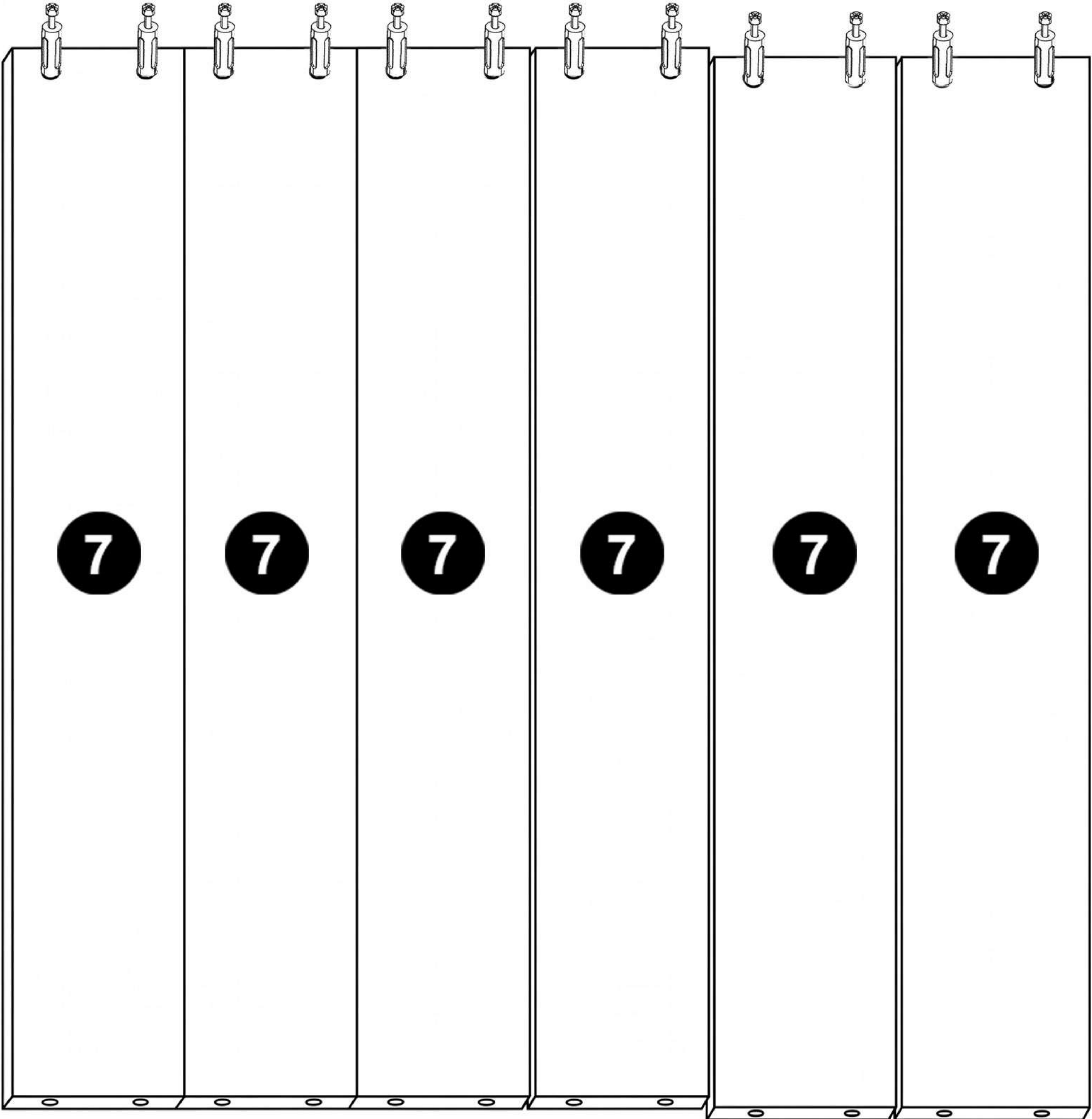
BACK



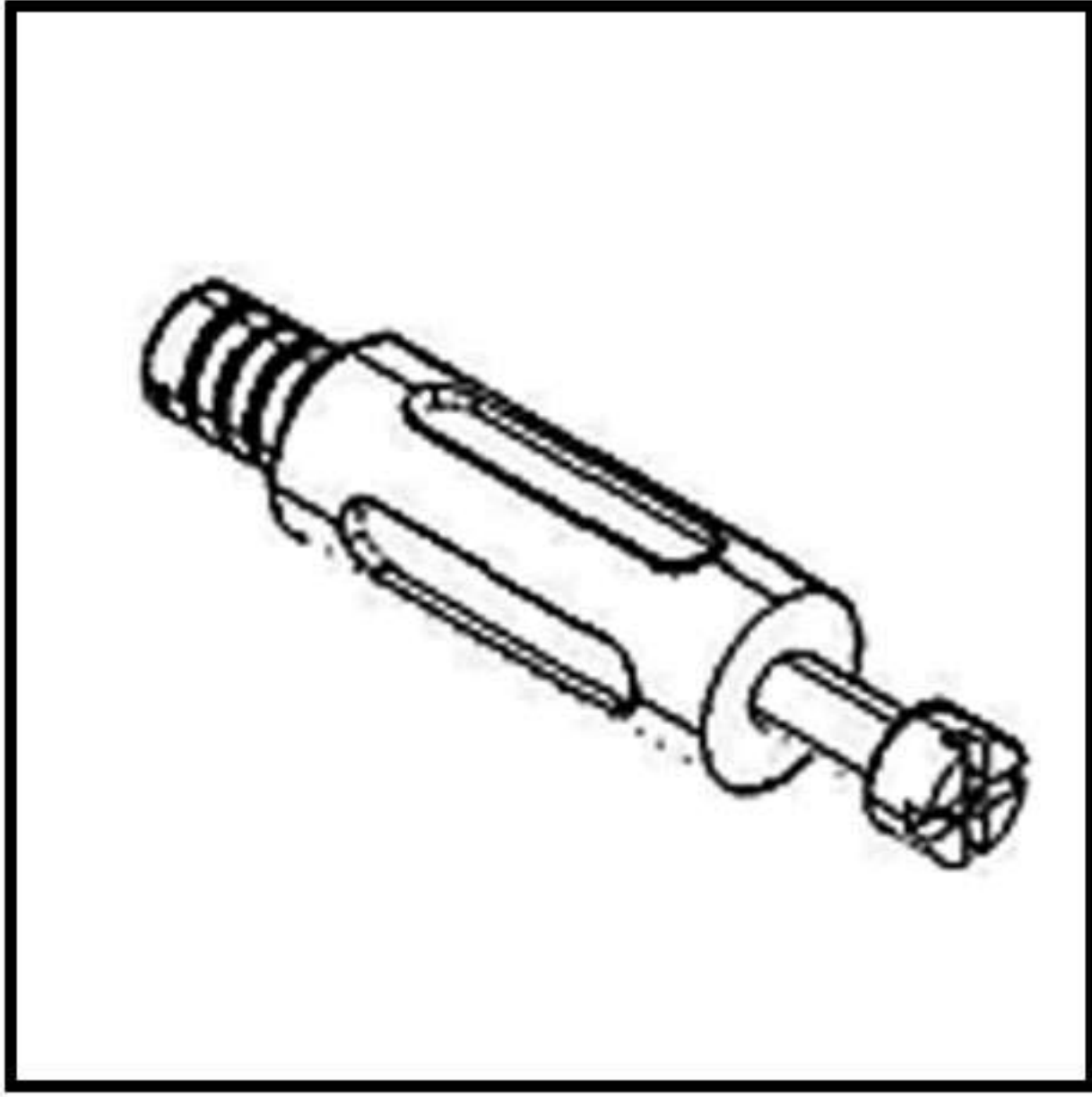
Step 12:



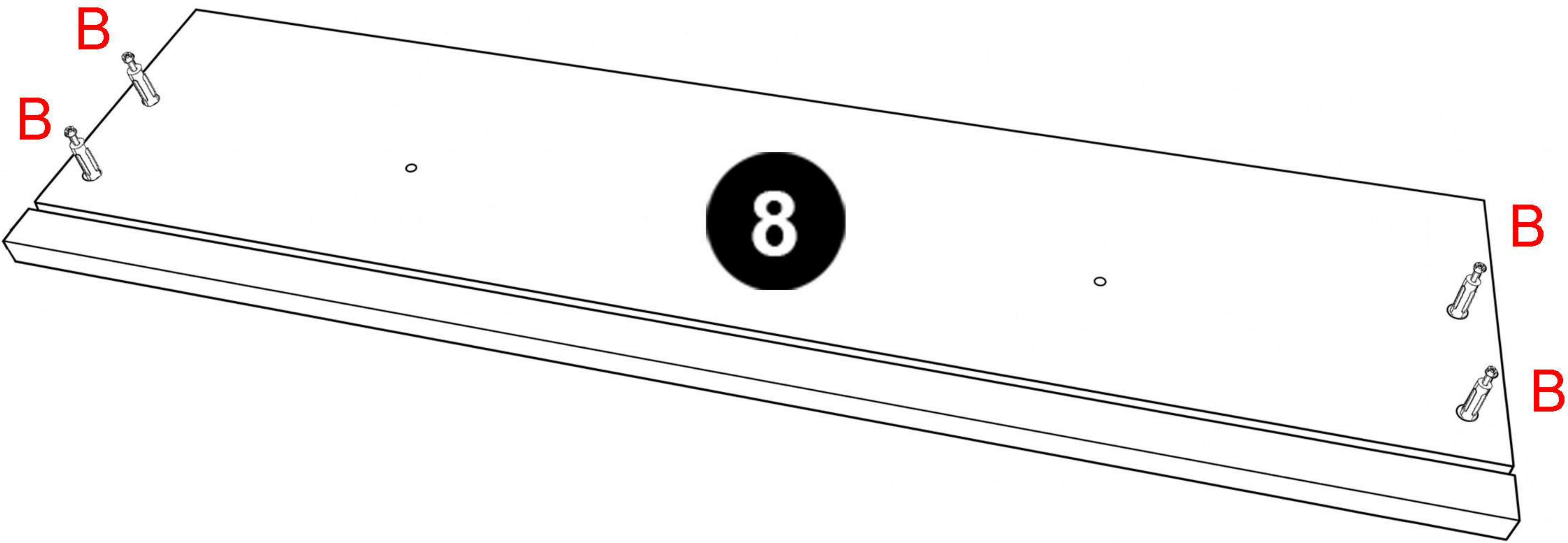
B



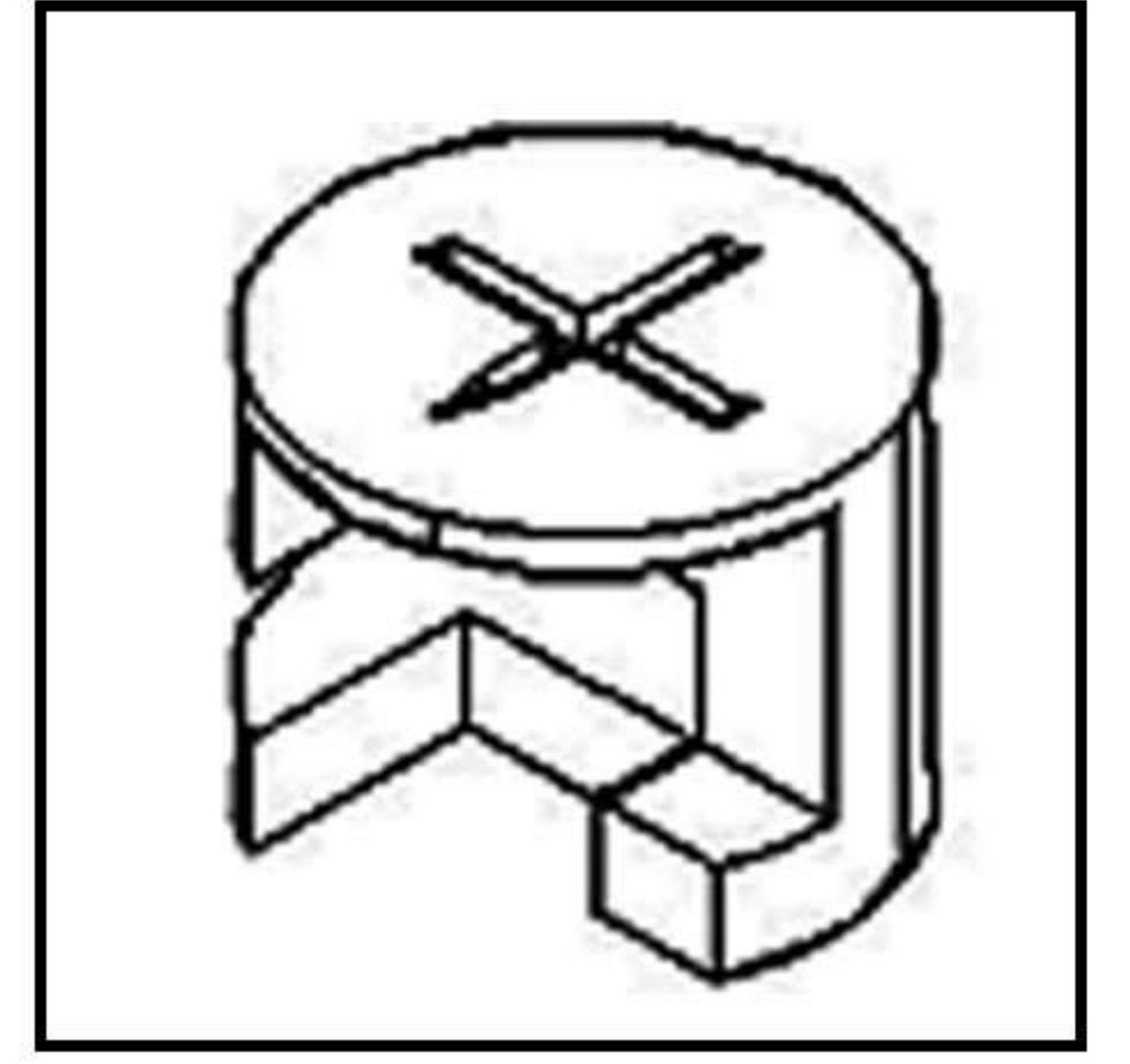
Step 13:



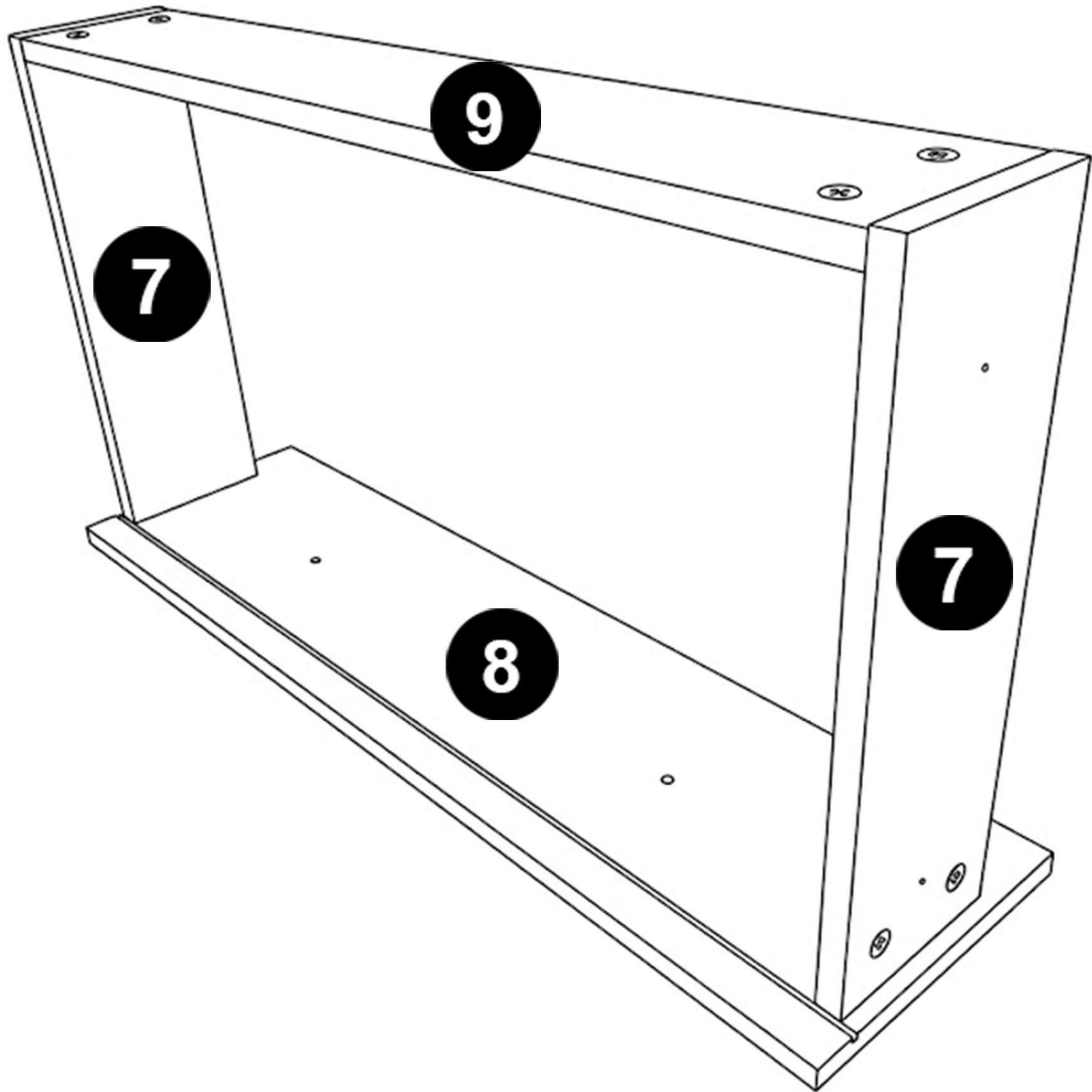
B



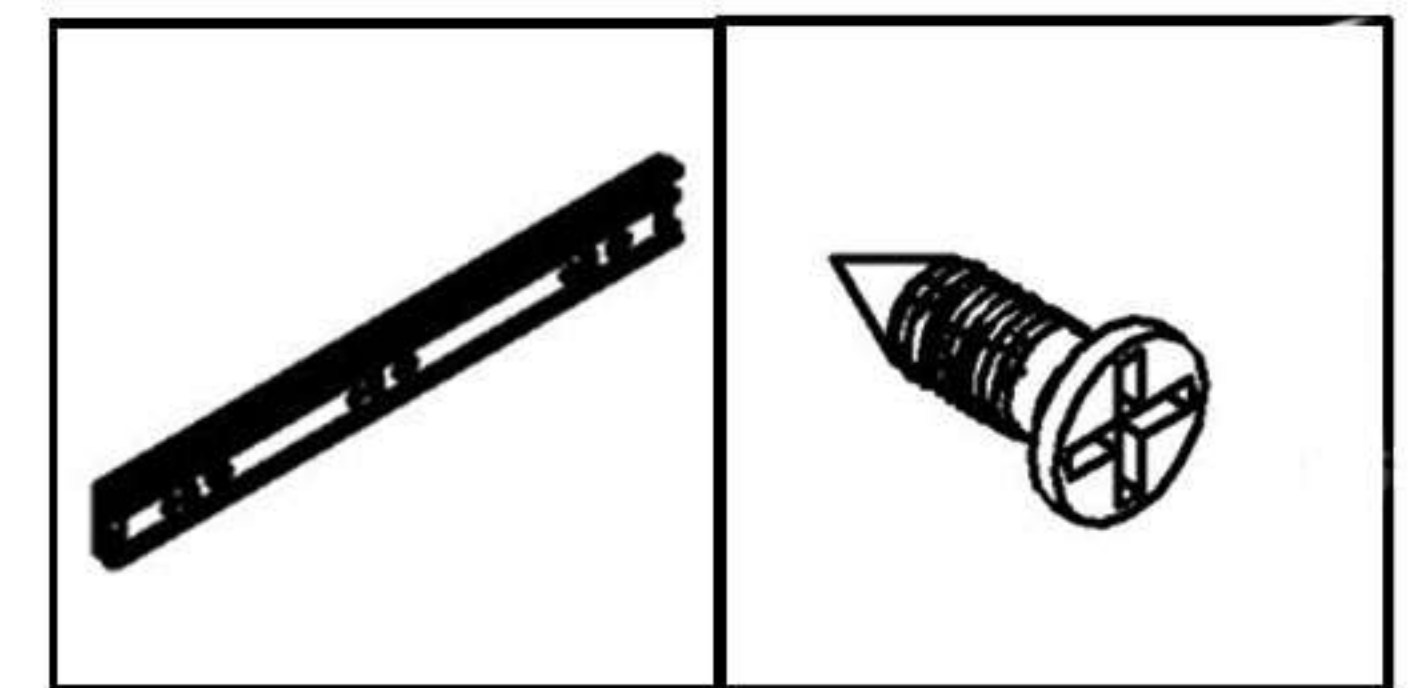
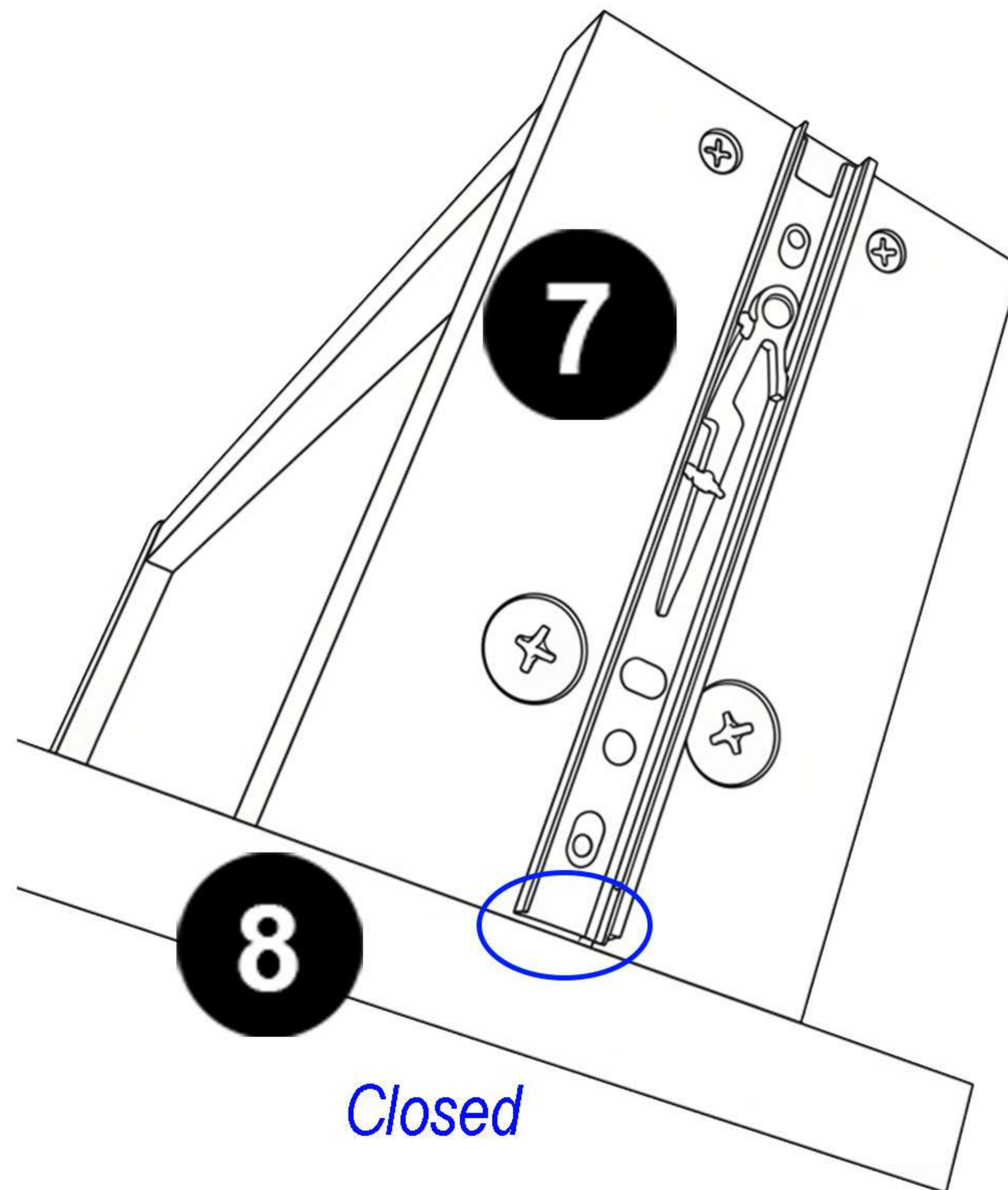
Step 14:



A



Step 15:

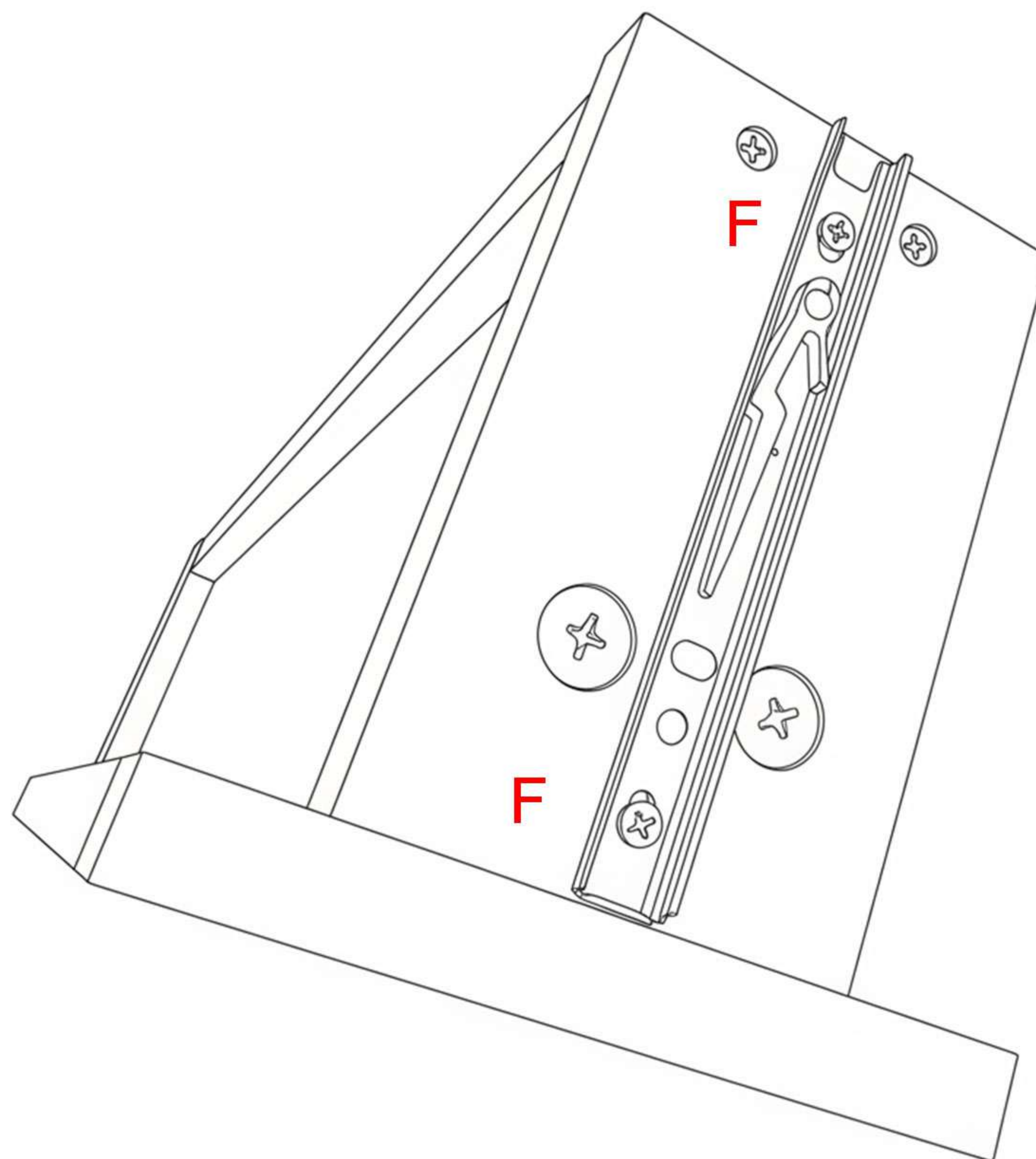


J

F

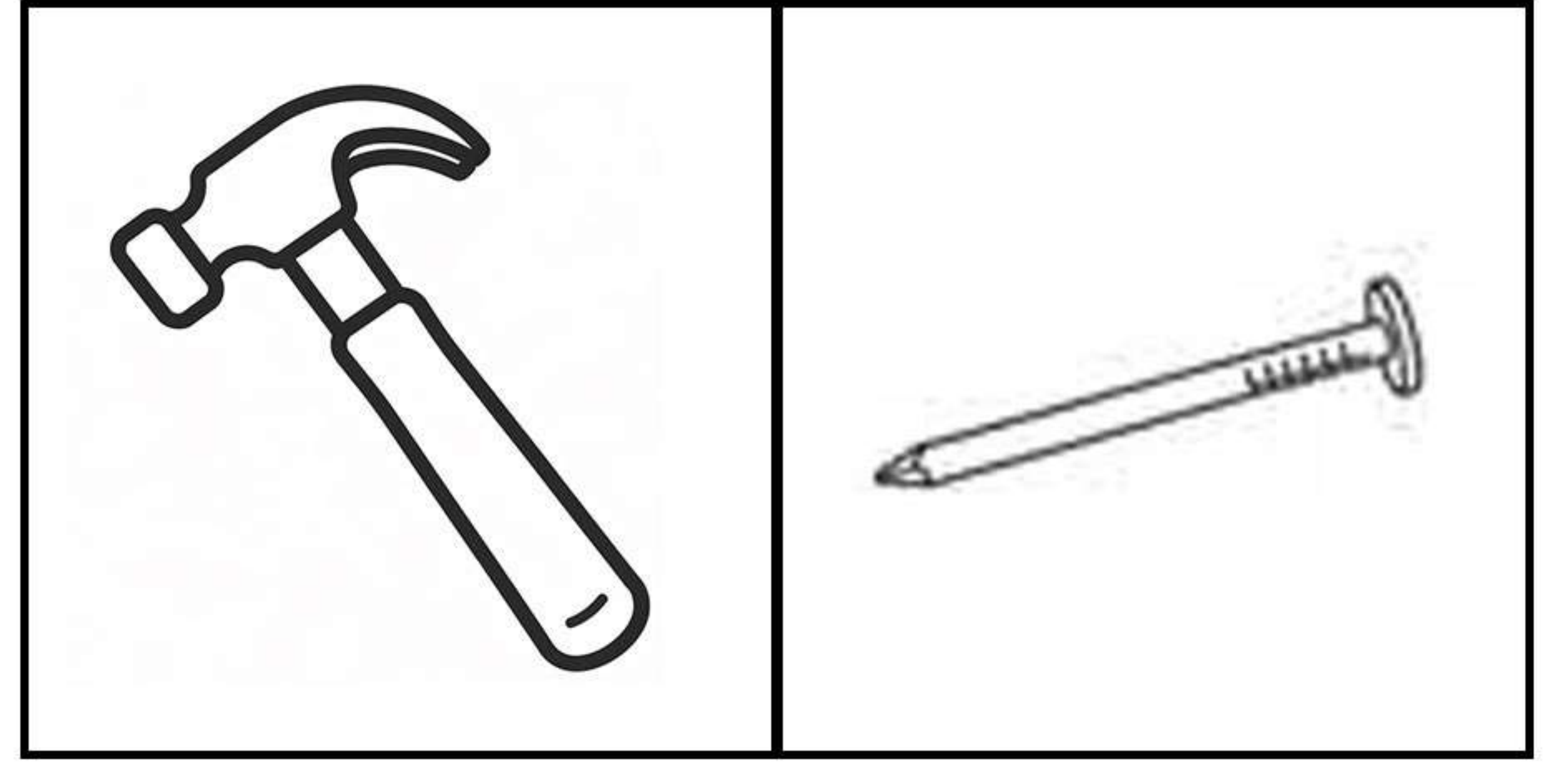
The Pull
Out part

Note: The J pull-out part should be positioned with the closed side close to Panel No.8.



Then secure it with F.

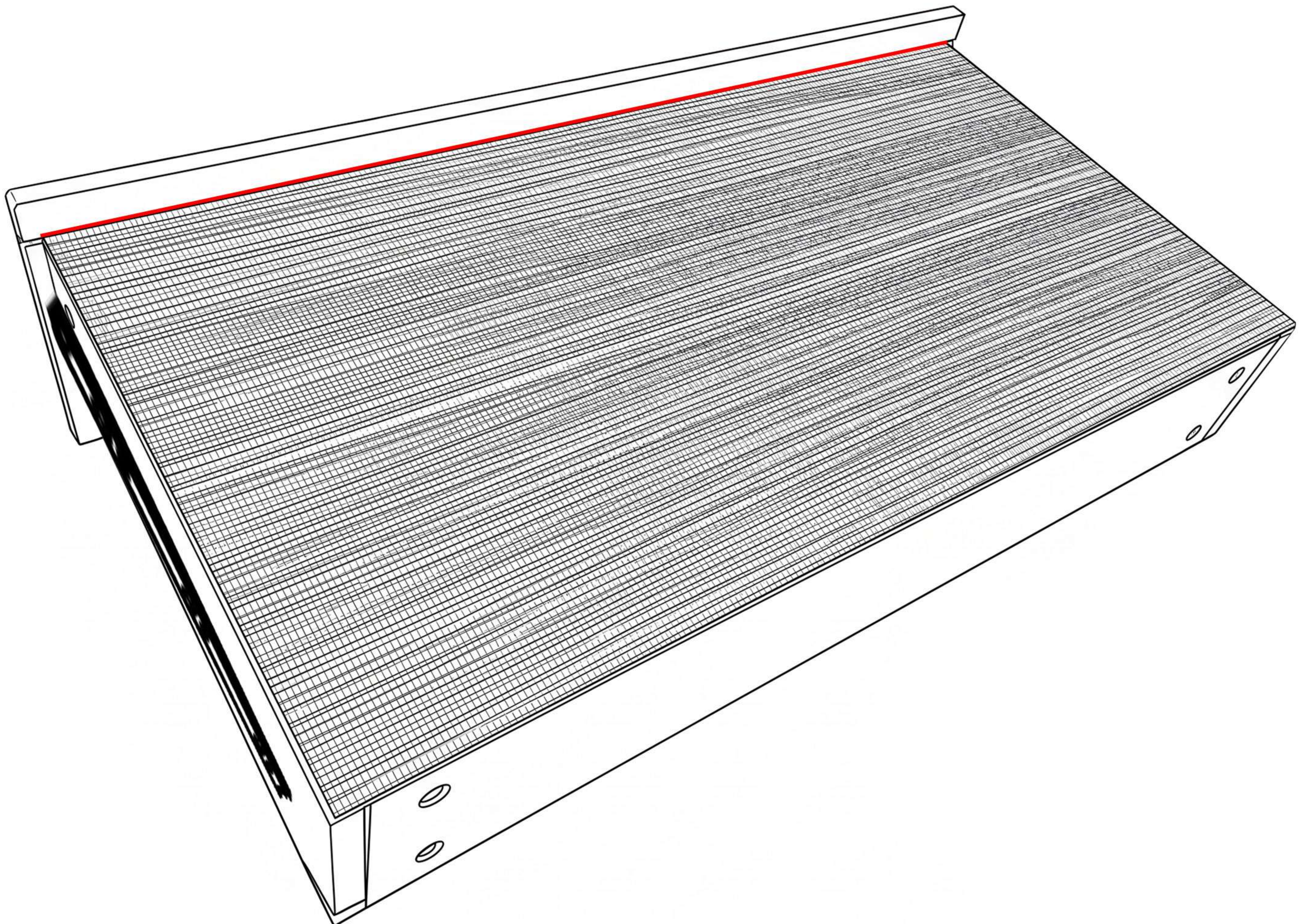
Step 17:



Not included

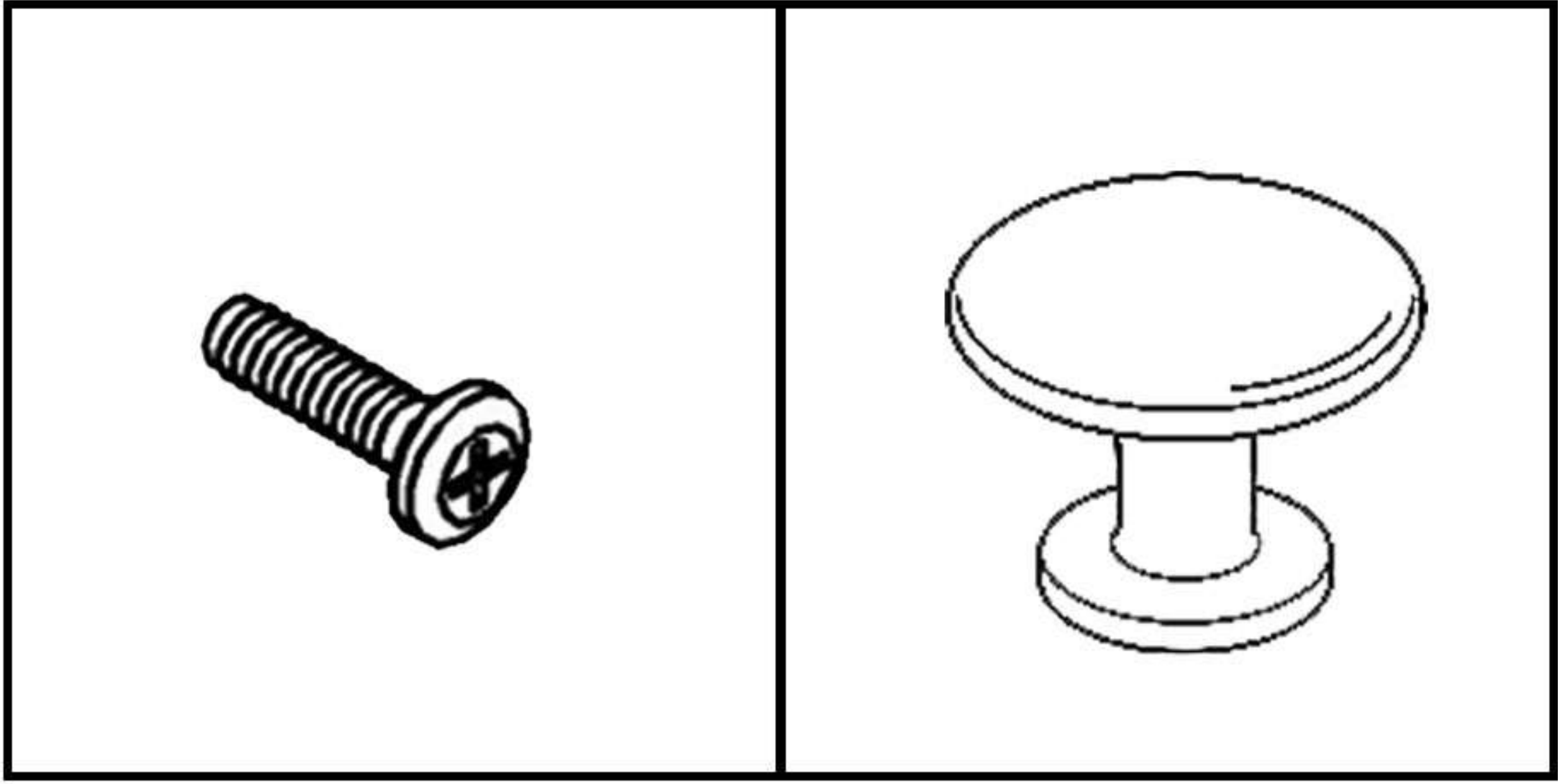
D

Secure the back panel with F nails. A small hammer is required (not included).



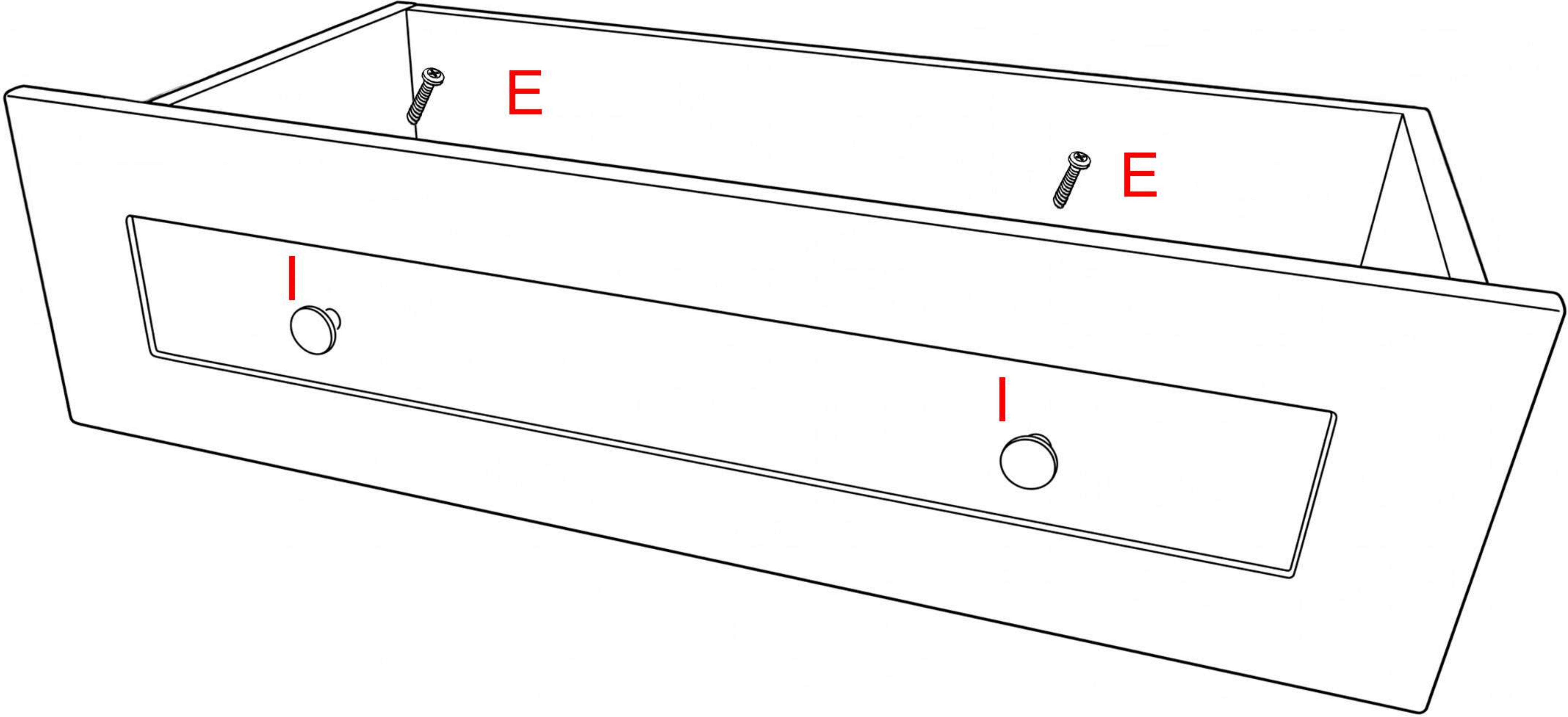
Note: Make sure all grooved edges are aligned in the same position. Pay attention to the panel orientation.

Step 17:

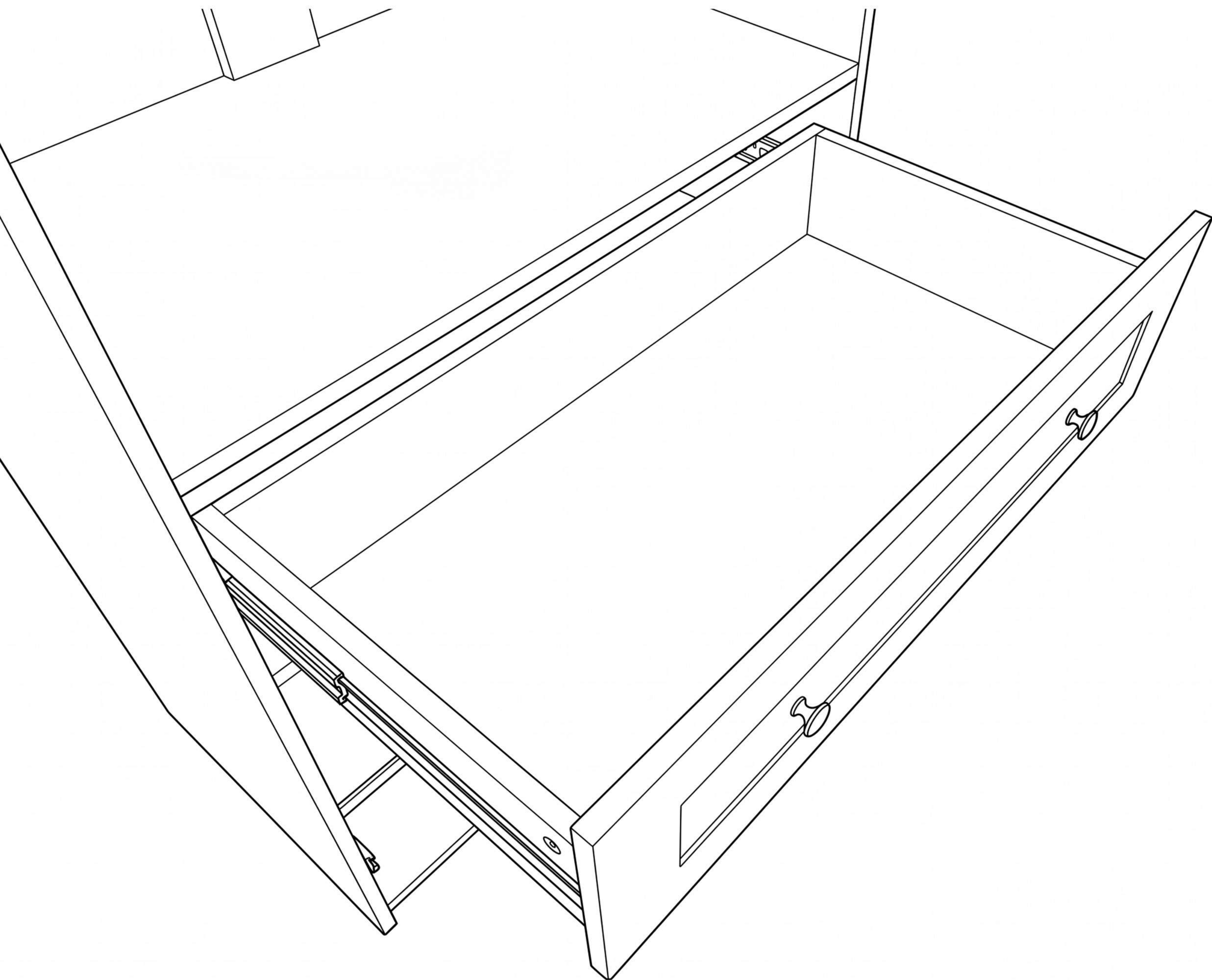


E

I

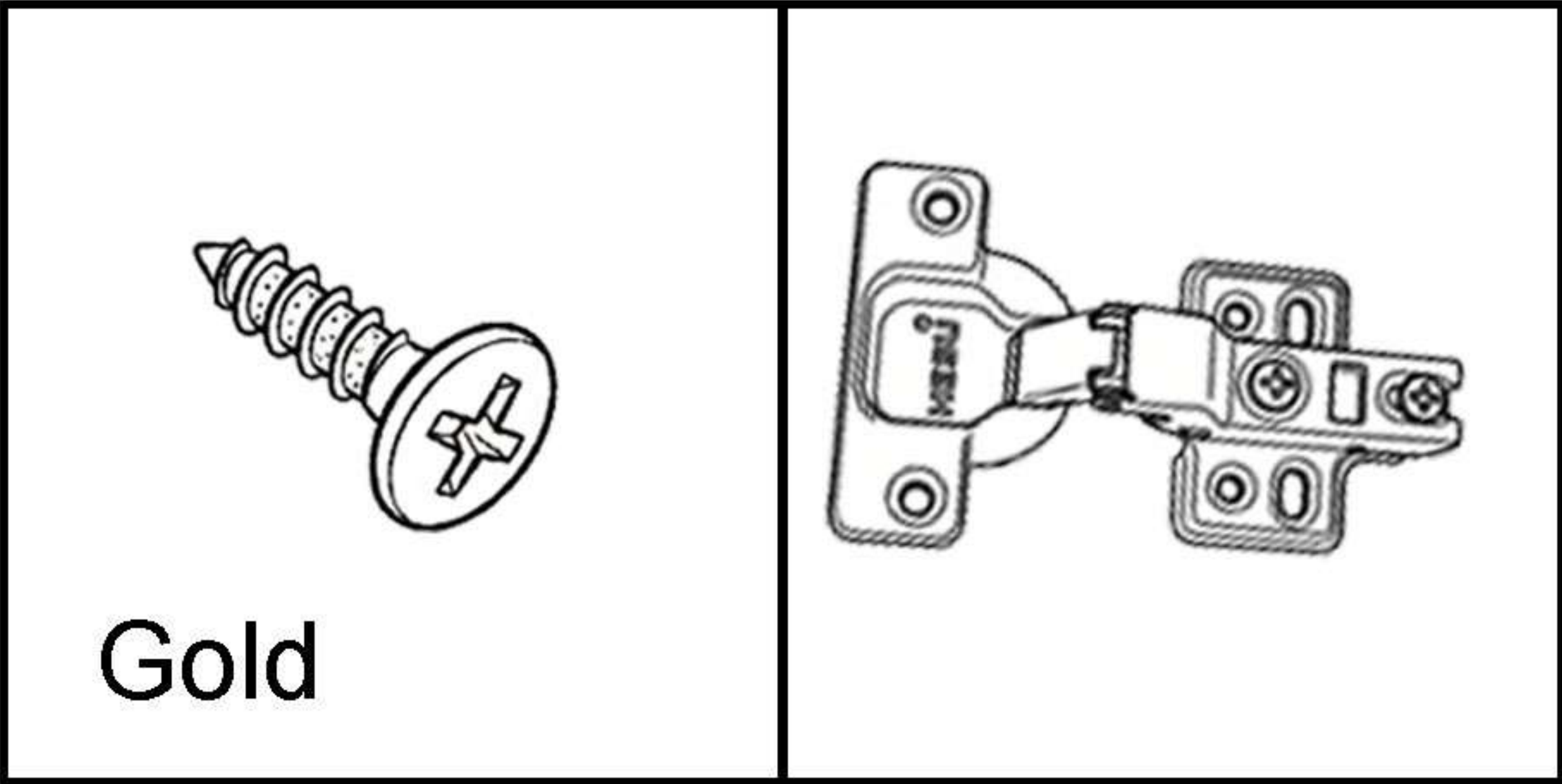


Step 18:



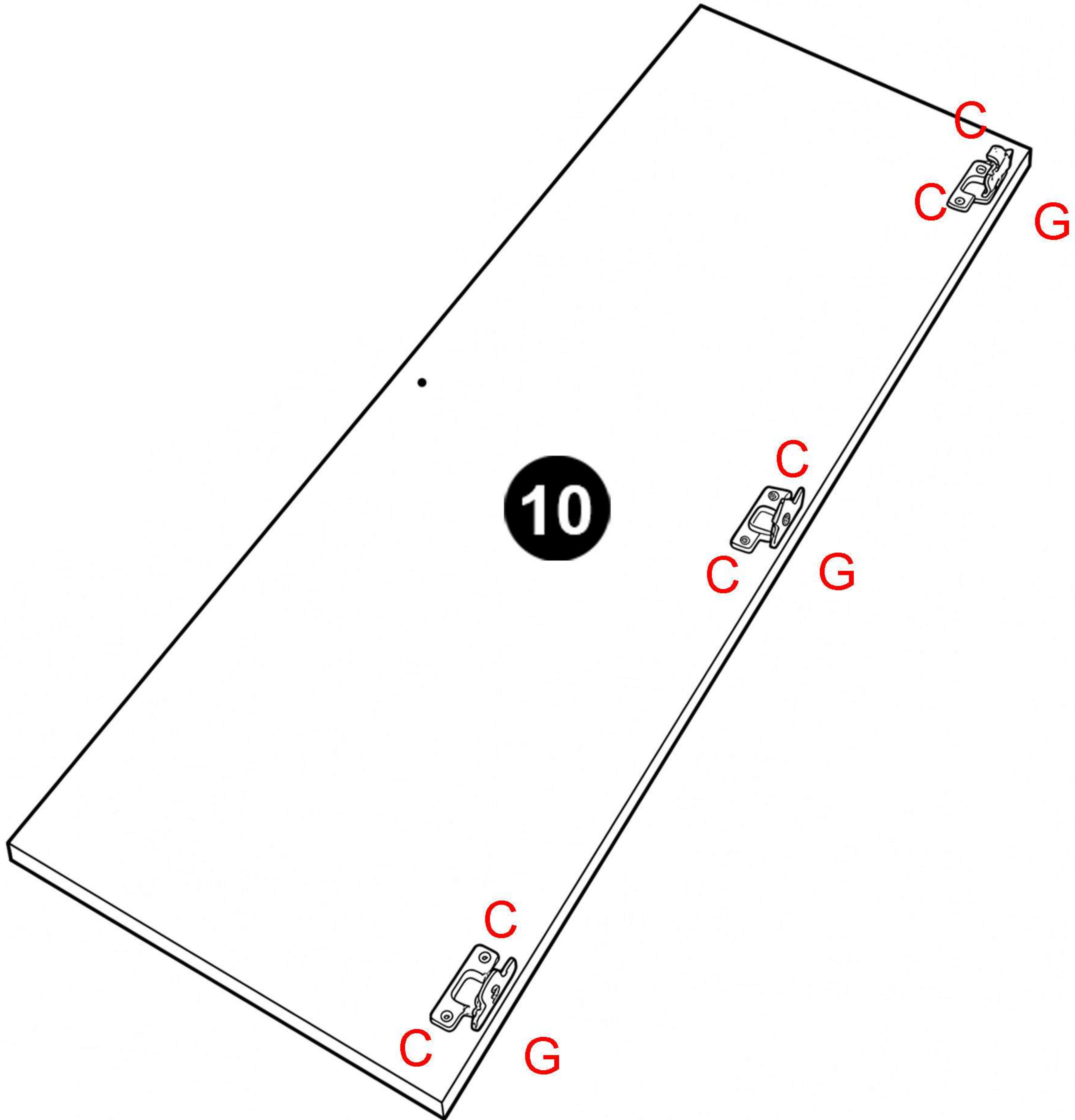
Insert into the slots on both sides at the same time.

Step 19:

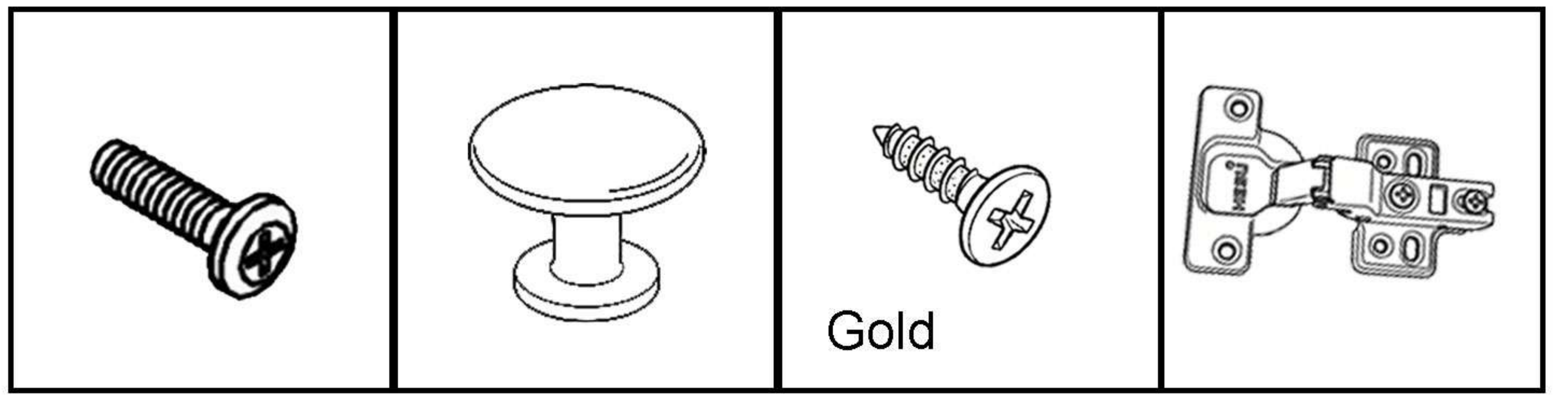


C

G



Step 20:

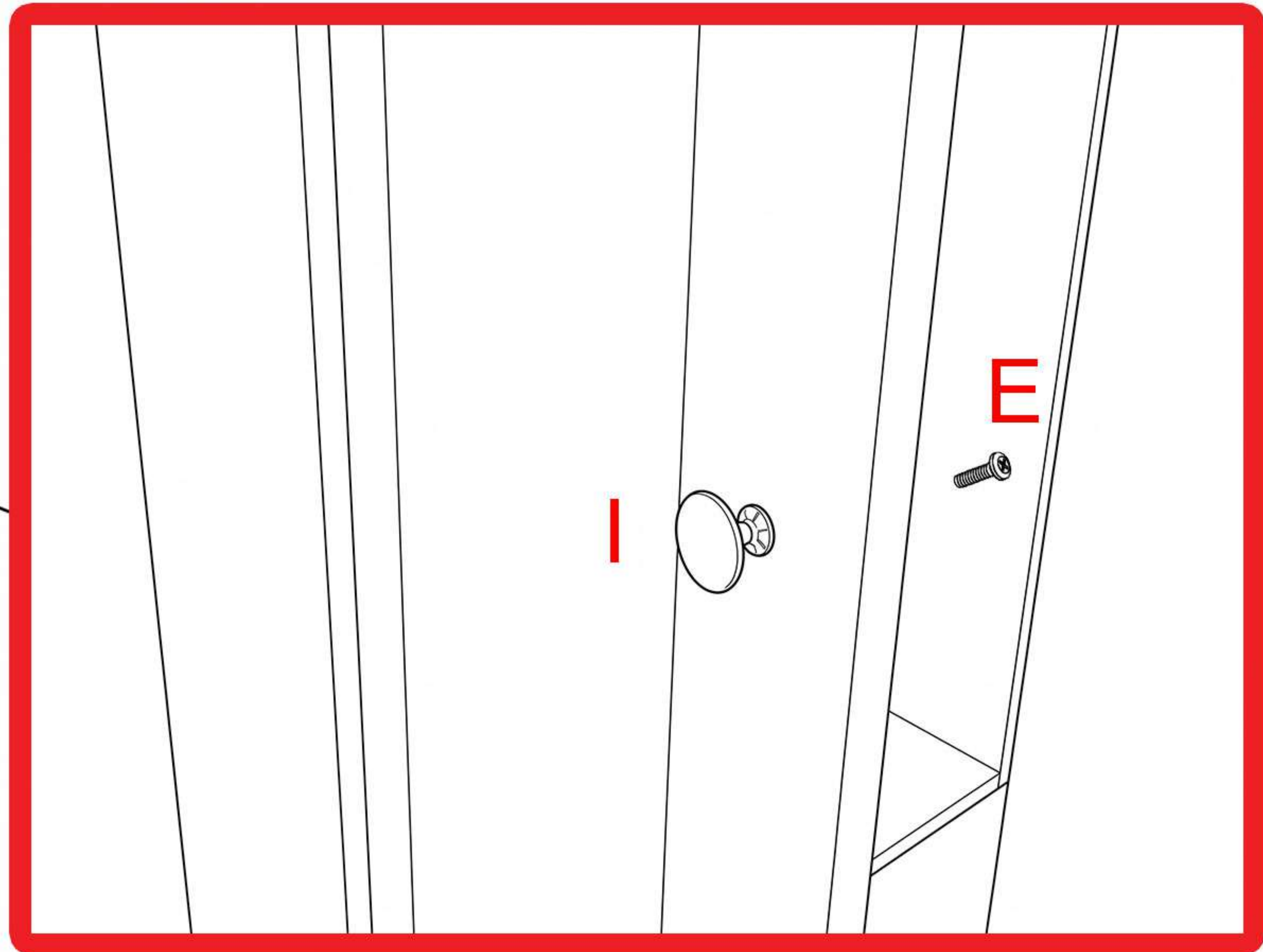
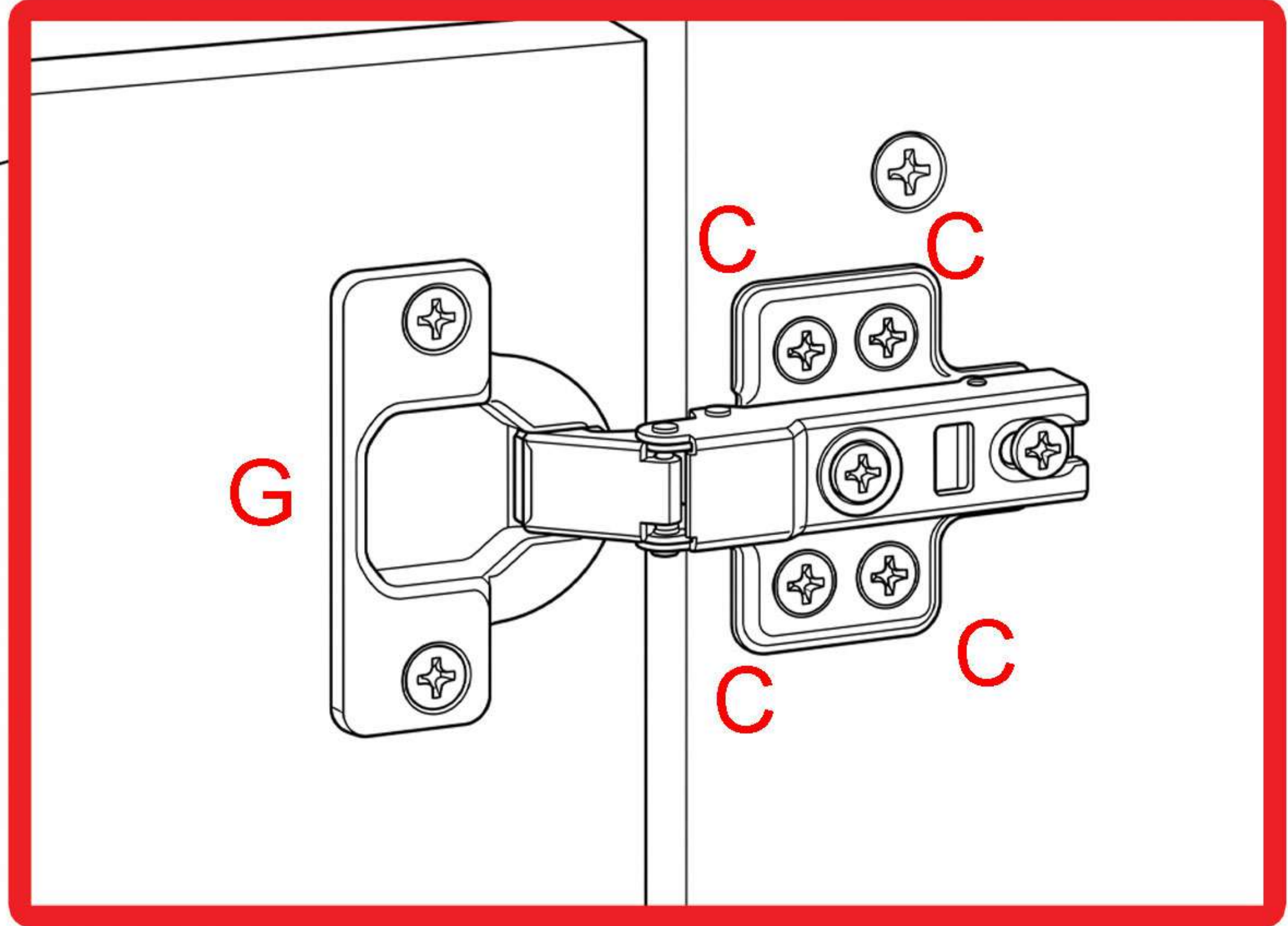
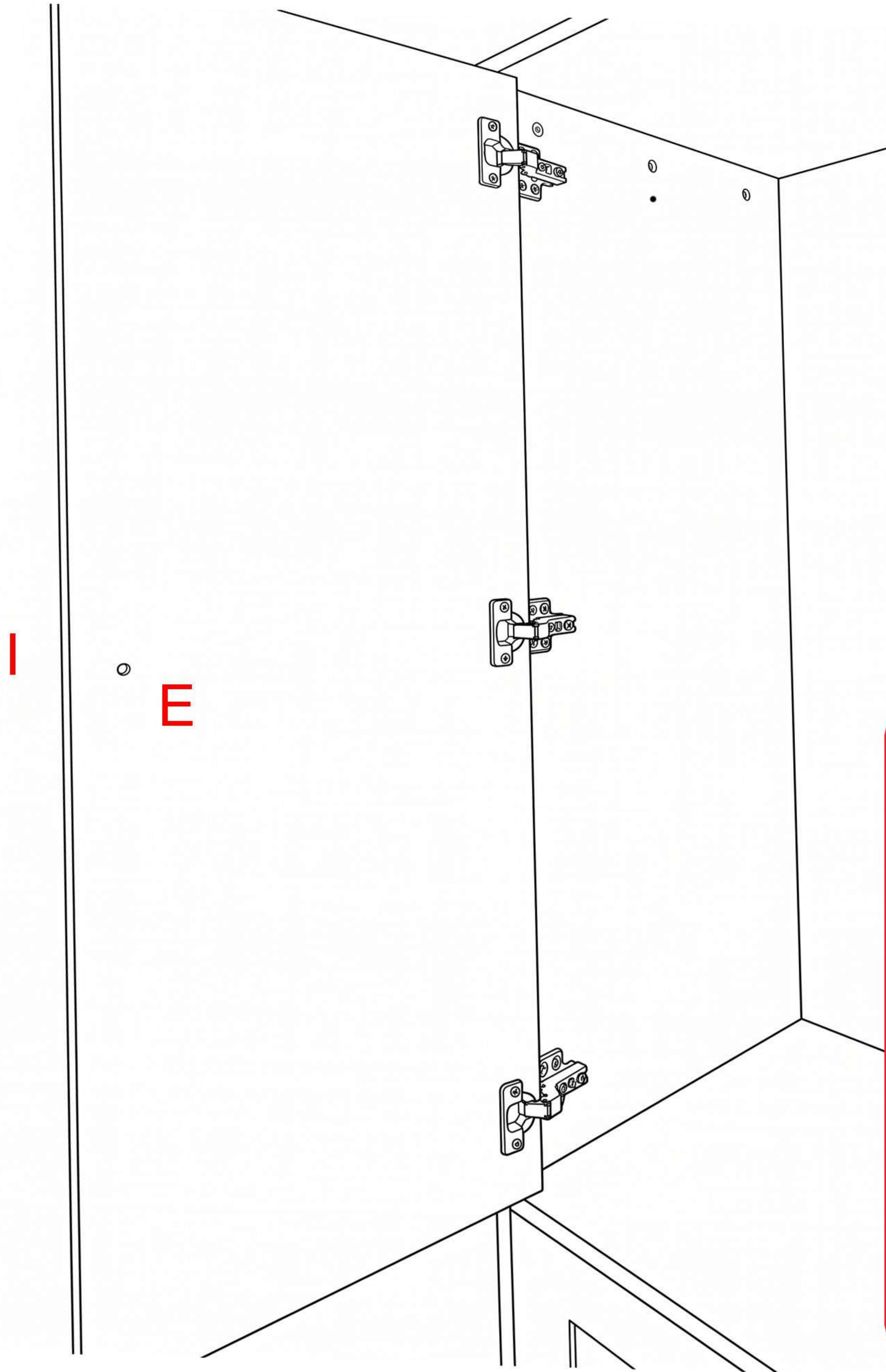


E

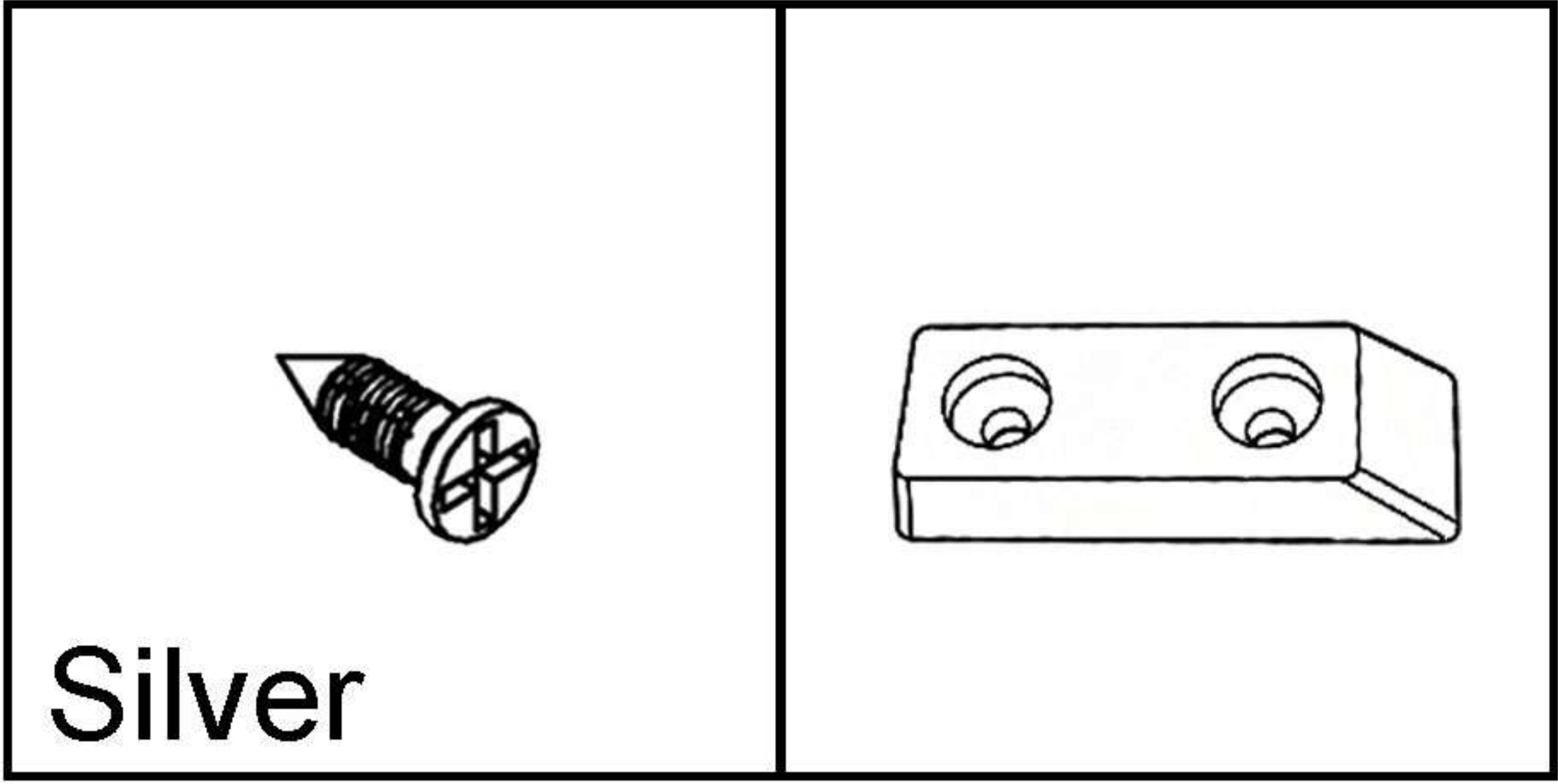
I

C

G

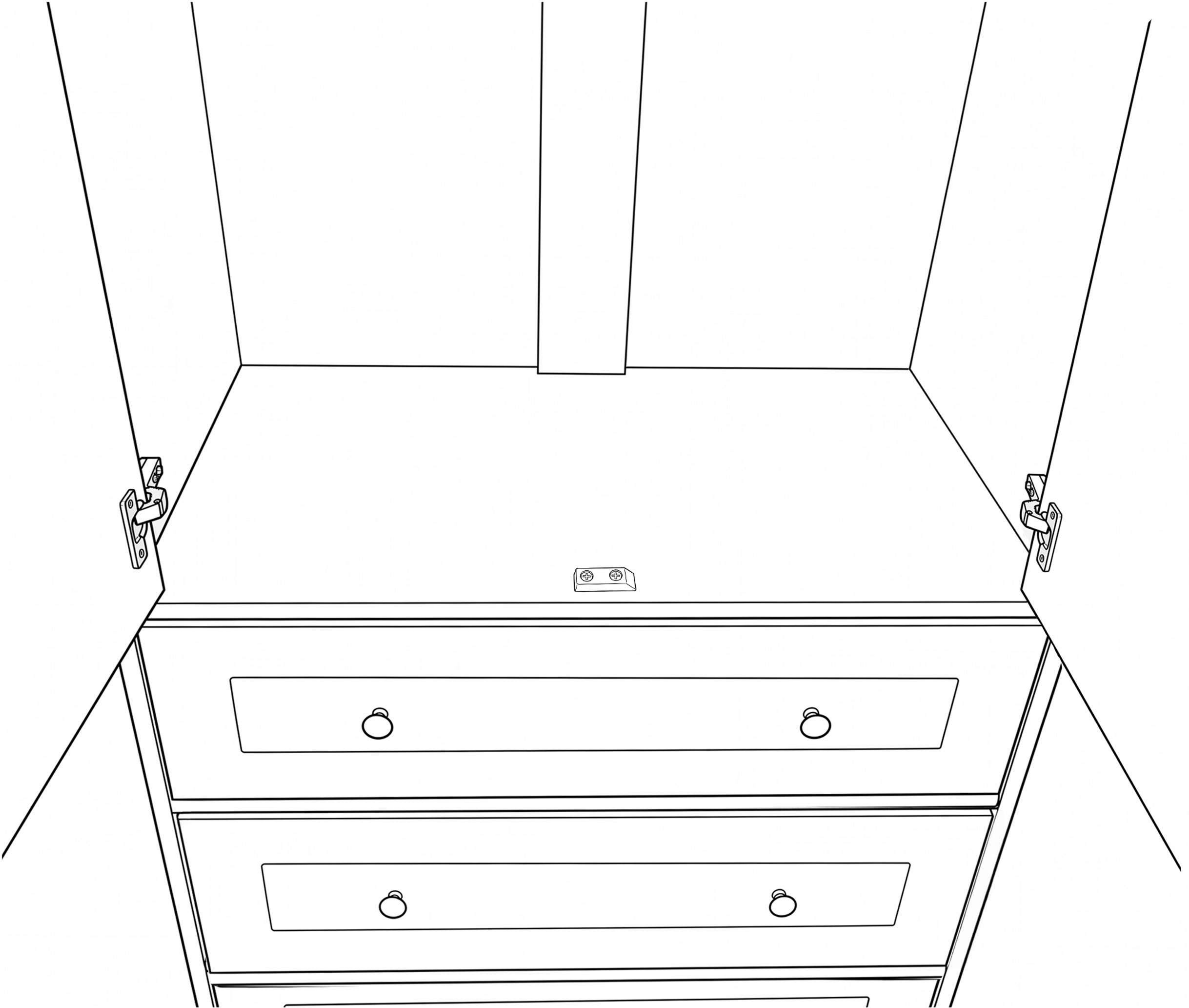


Step 21:

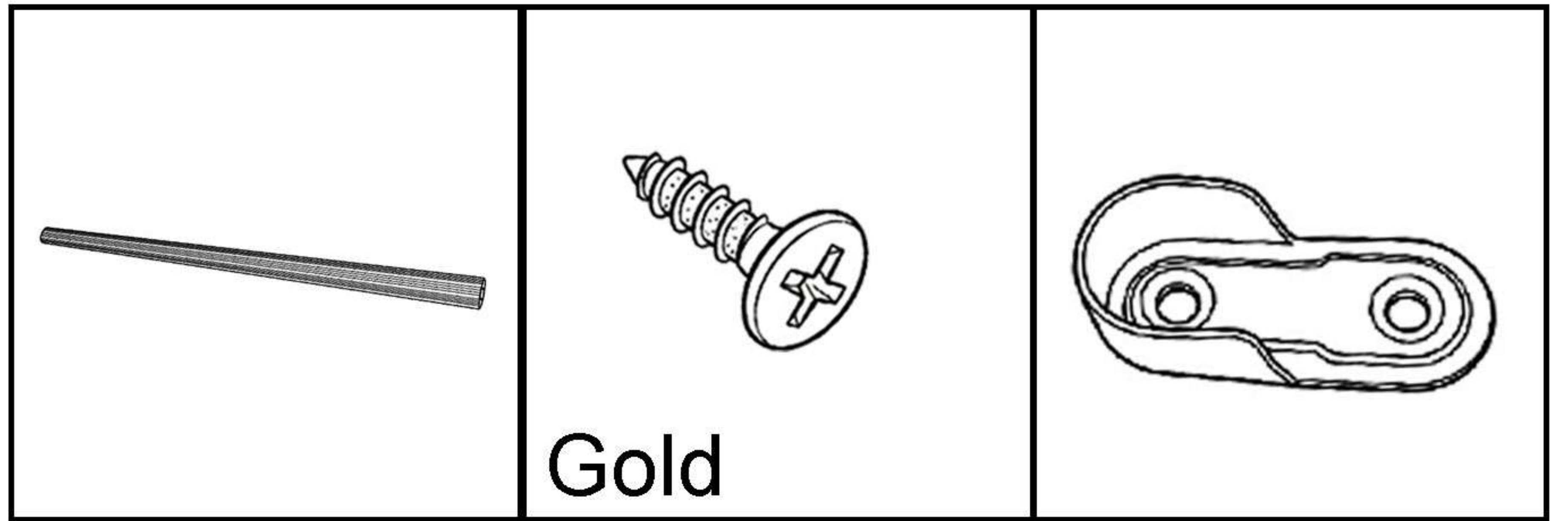


F

L



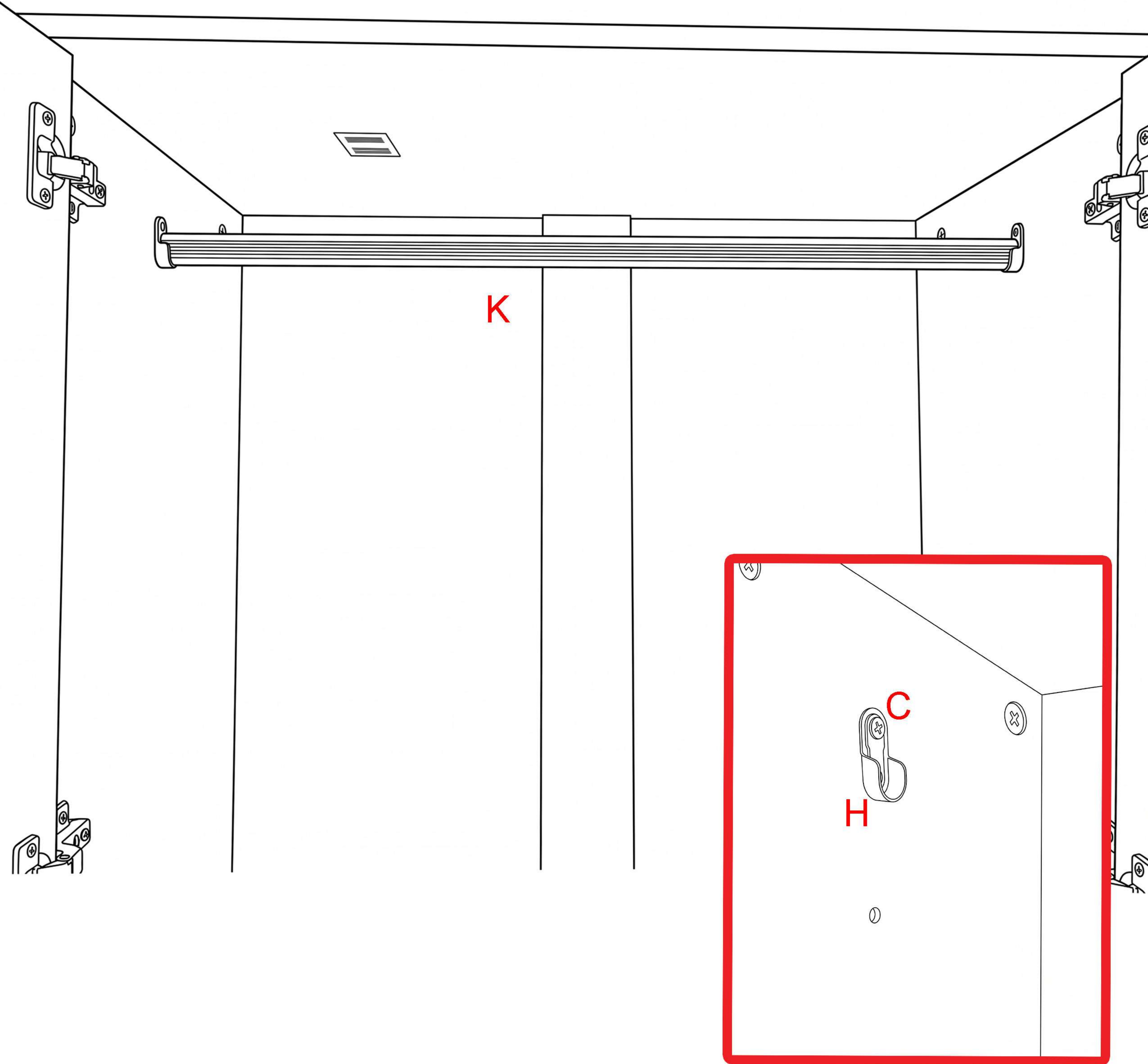
Step 22:



K

C

H



Installation finished

