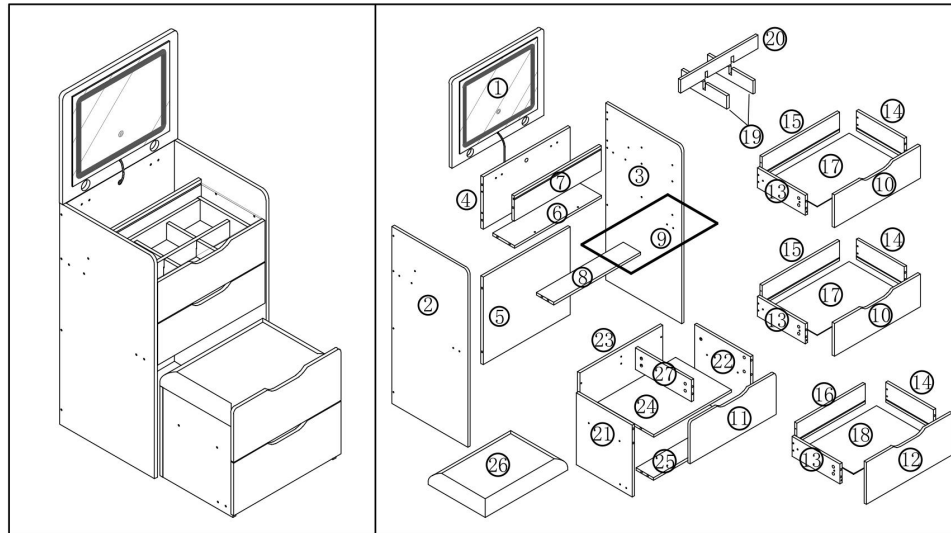


DR023 Makeup table manual

Installation steps



- ① Drawing board 1 ② left panel 1 ③ 1 piece of right panel ④ 1 piece of lower back panel ⑤ 1 piece of lower back panel ⑥ 1 piece of laminate
- ⑦ 1 piece of partition ⑧ Pull strip 1 ⑨ 1 piece of layered glass ⑩ 2 pieces of upper drawing surface (narrow) ⑪ 1 piece of fake drawing surface (wide) ⑫ 1 piece of lower drawing surface (wide)
- ⑬ 3 pieces on the left pumping side ⑭ 3 pieces on the right side ⑮ Top draw 2 pieces ⑯ 1 pieces of top and bottom ⑰ 2 pieces of top and bottom ⑱ 1 piece of bottom draw
- ⑲ 2 pieces of lattice vertical board ⑳ 1 piece of lattice horizontal board ㉑ 1 piece on the left side of the makeup stool ㉒ 1 piece on the right side of the makeup stool ㉓ 1 piece of makeup stool back panel ㉔ Makeup stool laminate 1 piece
- ㉕ Makeup stool pull strip 1 piece ㉖ Makeup stool cushion 1 piece ㉗ Makeup stool partition 1 piece

	(A)	(B)	(D)	(E)	(F)	(G)	(H)	(I)	(J)	(K)
name	Three in one	Two in one	Door hinge	Silent track	Laminate support	Self-tapping screws			Three-fold page	Foot nails
graphics	Screw with self-tapping The screws are silver/white	The screws are silver/white								
specification	φ12/L=40	φ10/M5*15	Straight bend	10°	φ8*18	M3. 5*12	M3. 5*14	M3. 5*35		
quantity	22 sets	34 sets	2 pcs	3 pcs	5 pcs	38 pcs	14 pcs	13 pcs	2 pcs	10 pcs

Three-in-one instructions for use

- 1.The side plate hole is φ5 in diameter, screw the screw directly into this hole;
- 2.Insert the other end of the screw into the side hole of another connecting plate, and press the eccentric lock cake into the diameter φ12 hole. Note that the cross arrow corresponds to the side hole,;
- 3.Use a phillips screwdriver to tighten the eccentric lock cake clockwise.

Two-in-one instructions for use

Rubber hammer

Self-tapping screws

φ5*45

Track usage instructions

This part is installed on the side panel of the cabinet

- 1.First stretch the track open to see this plastic elastic card strip (usually black);
- 2.Pull this card bar to the bottom with your finger, and at the same time pull this part in the direction of the arrow to extract.

When installing this part, these two holes correspond to the lead holes on the side panel

When installing this part, this end is close to the drawing surface

This disassembled part is installed on the side panel of the pump

The first step: install the rails, laminate brackets and foot nails on the left and right side panels

The second step: Connect the partition to the laminate.

Step 3: Connect the upper and lower back panels, partitions, laminates and slats to the left panel

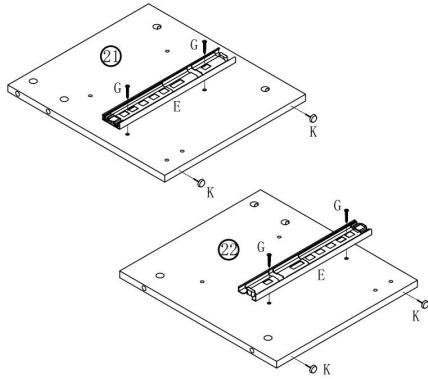
Step 4: Install the right panel.

Step 5: Install the panel.

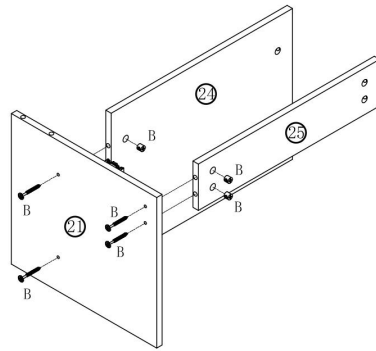
Note: First use M3.5*14 screws to fix the door hinge on the panel, and then use M3.5*14 screws to press the lead hole to lock it on the upper back panel,

Installation steps

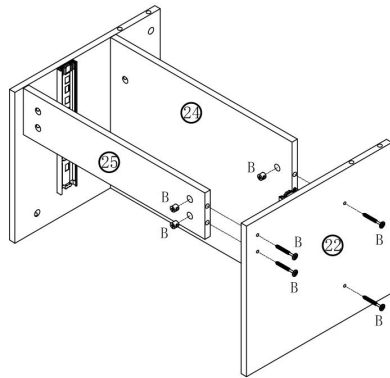
Step 6:
Install rails and foot nails on the left and right side panels of the makeup stool



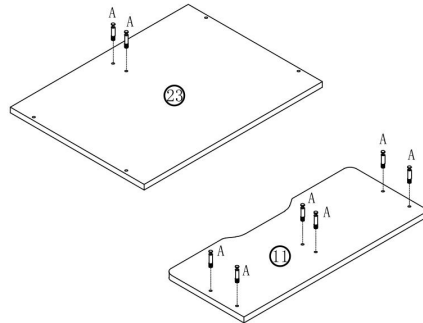
Step 7:
Connect the makeup stool laminate and pull strip to the left panel,



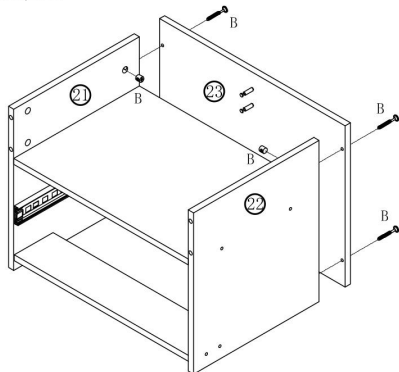
Step 8: Install the right panel of the makeup stool



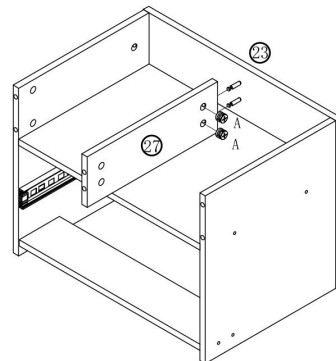
Step 9:
Screw the back panel of the makeup stool and the fake pumping surface on the three-in-one screw



Step 10:
Connect the back panel of the makeup stool to the left and right side panels of the makeup stool

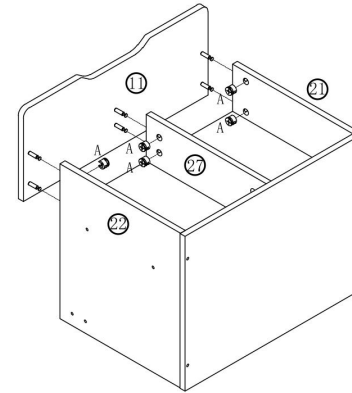


Step 11:
Connect the makeup stool partition to the back panel of the makeup stool



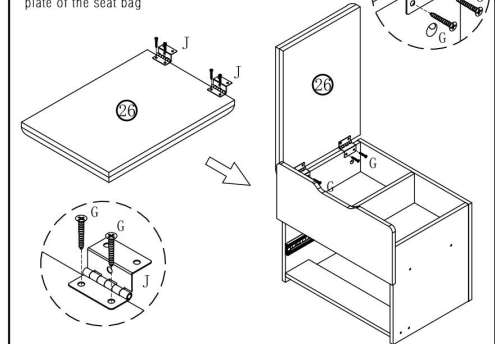
Installation steps

Step 12: Install fake pumping surface

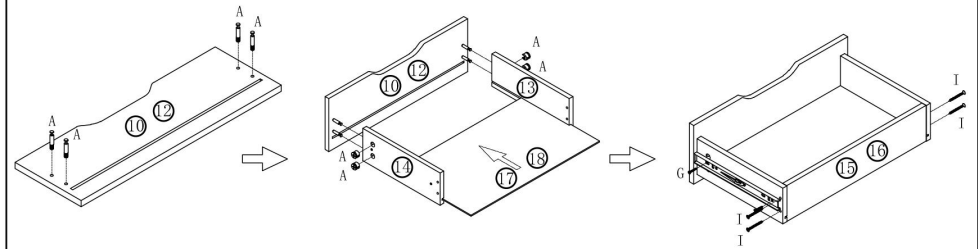


Step 13: Install the seat cushion

Note: The three-fold page is installed as shown in the figure, flush to the edge of one end of the base plate of the seat bag



Step 14: Assemble all drawers as shown



Note: After the tail is installed, use M3.5*12 to install the track on the side of the tail.

Step 15: Install the drawer.

