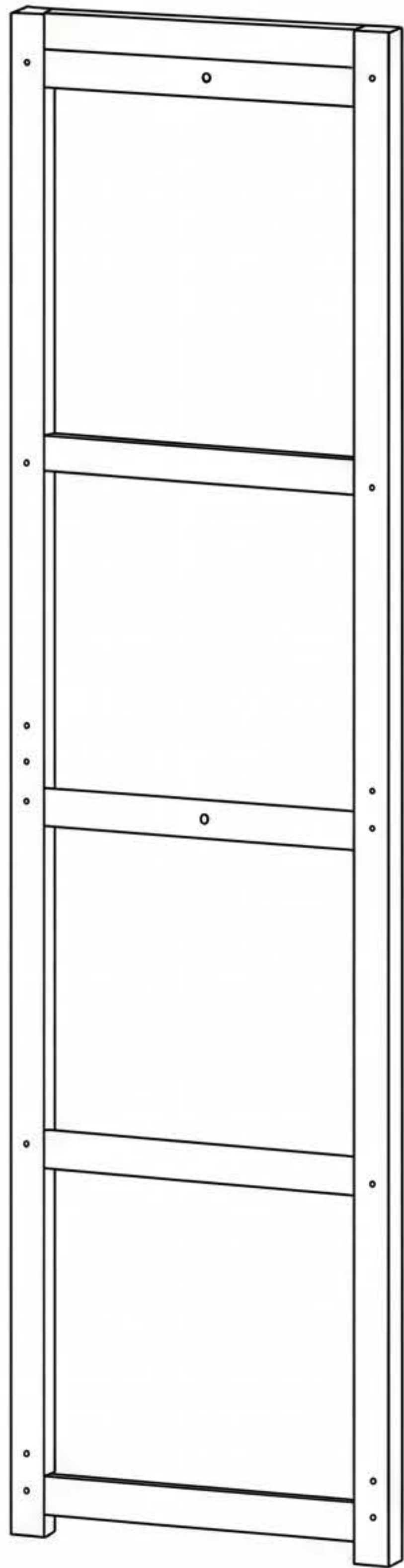


INSTALLATION GUIDE

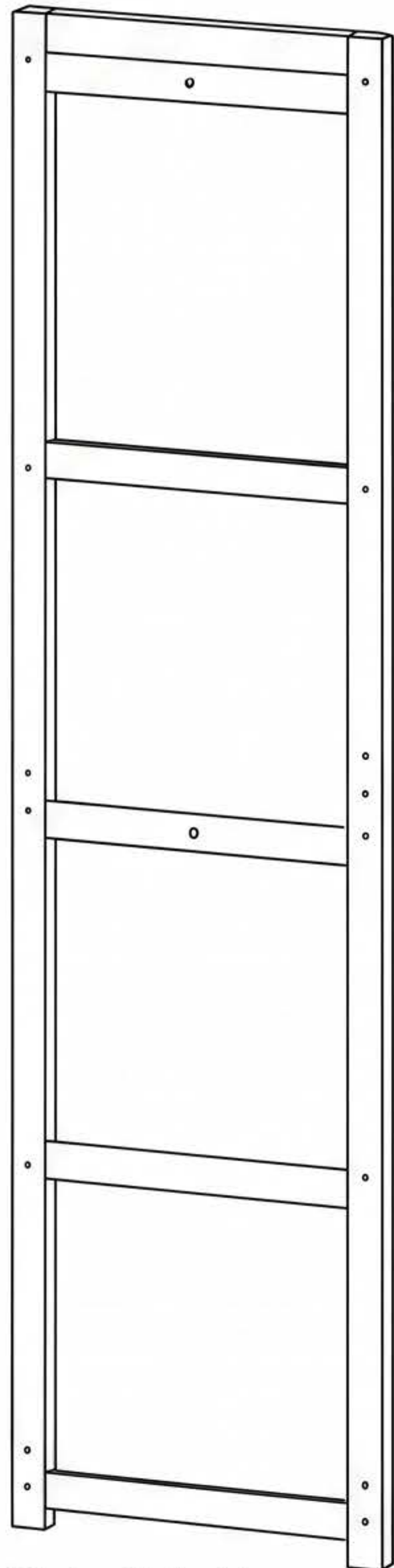
CC055

Bamboo Wood / Original Life / Small Furniture

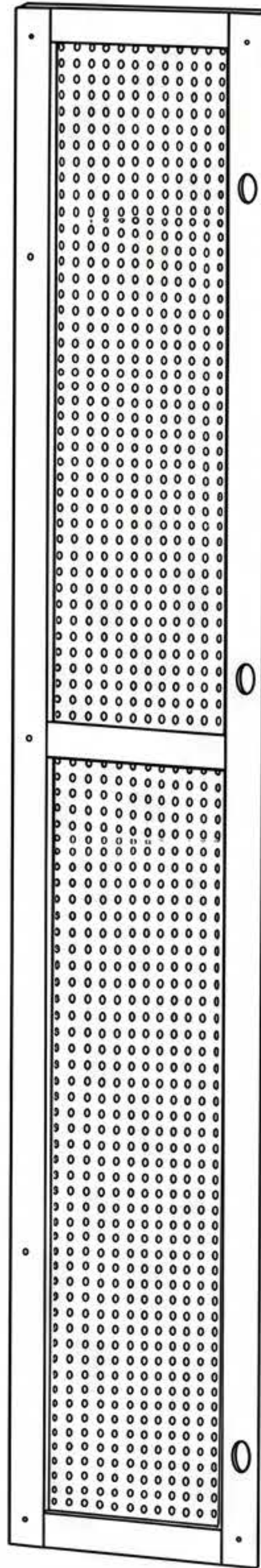
Component Description



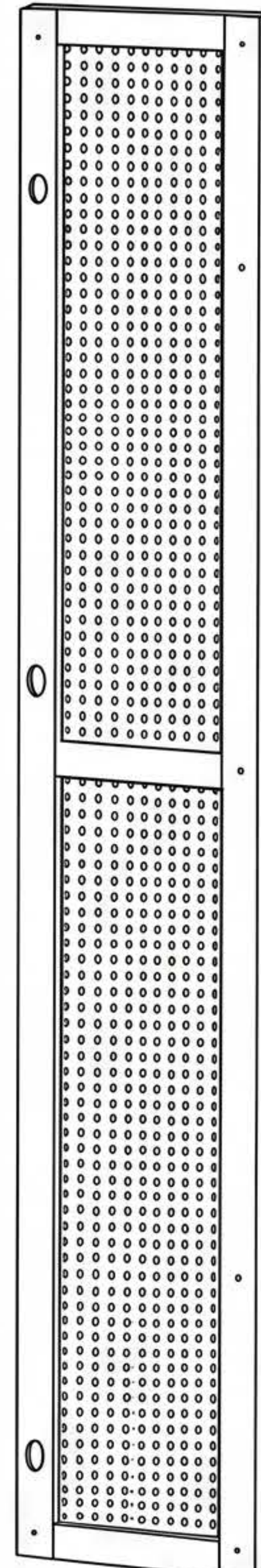
Left Side Frame x 1



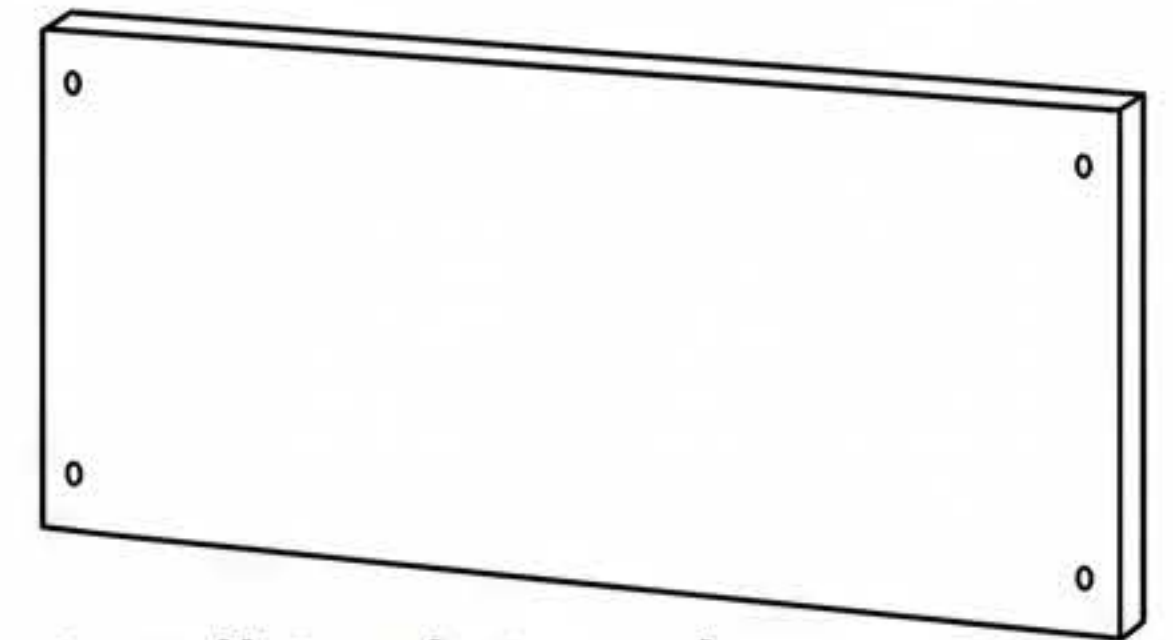
Right Side Frame x 1



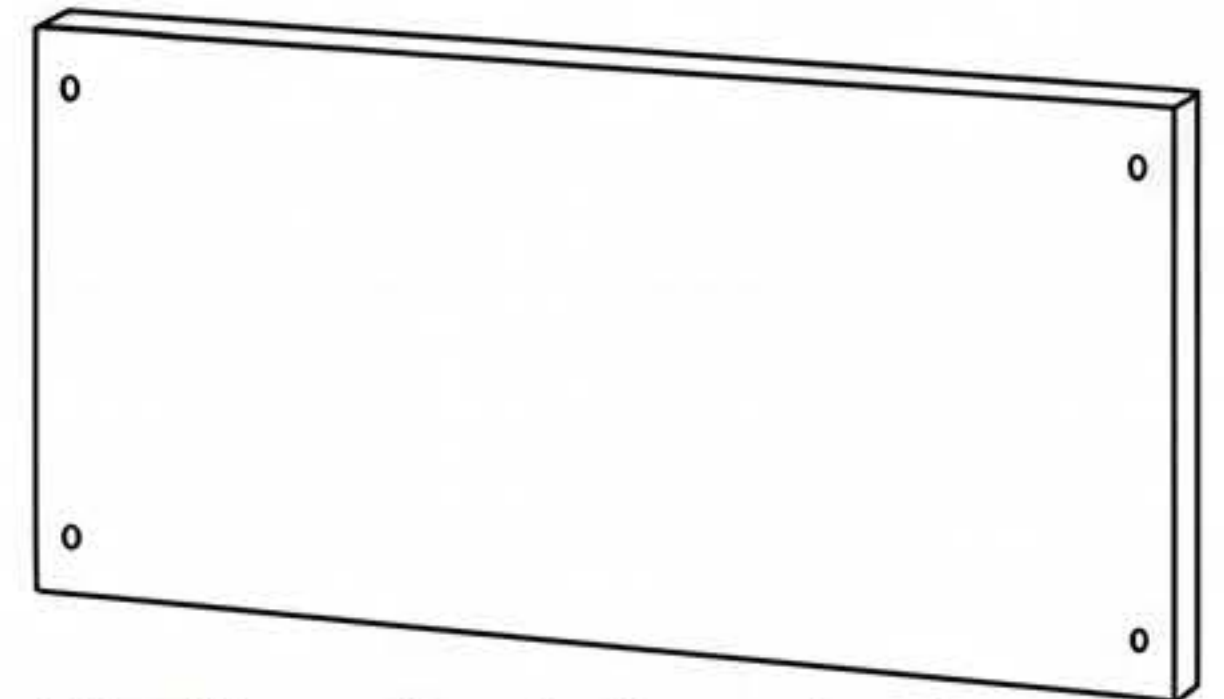
Left Door Panel x 1



Right Door Panel x 1



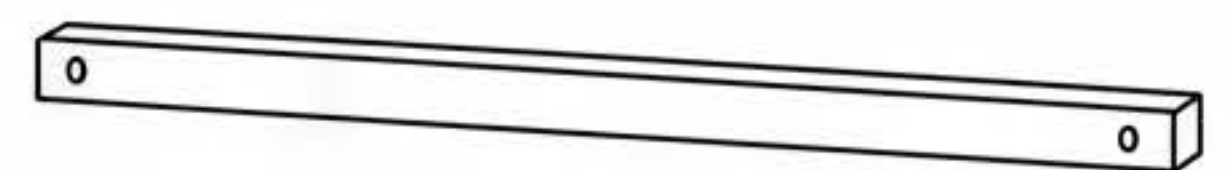
Small Back Panel x 2



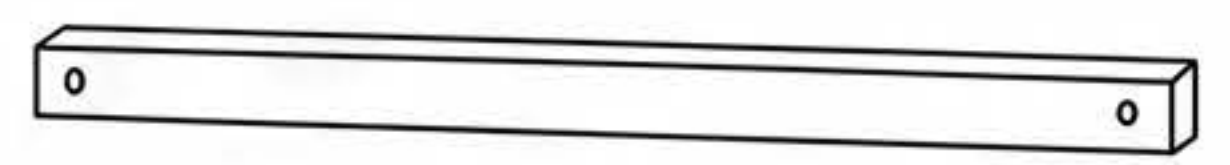
Medium Back Panel x 1



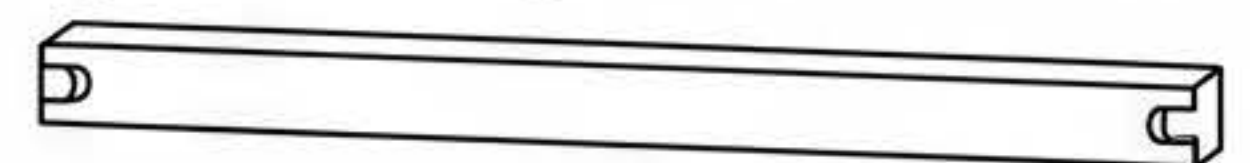
Large Back Panel x 1



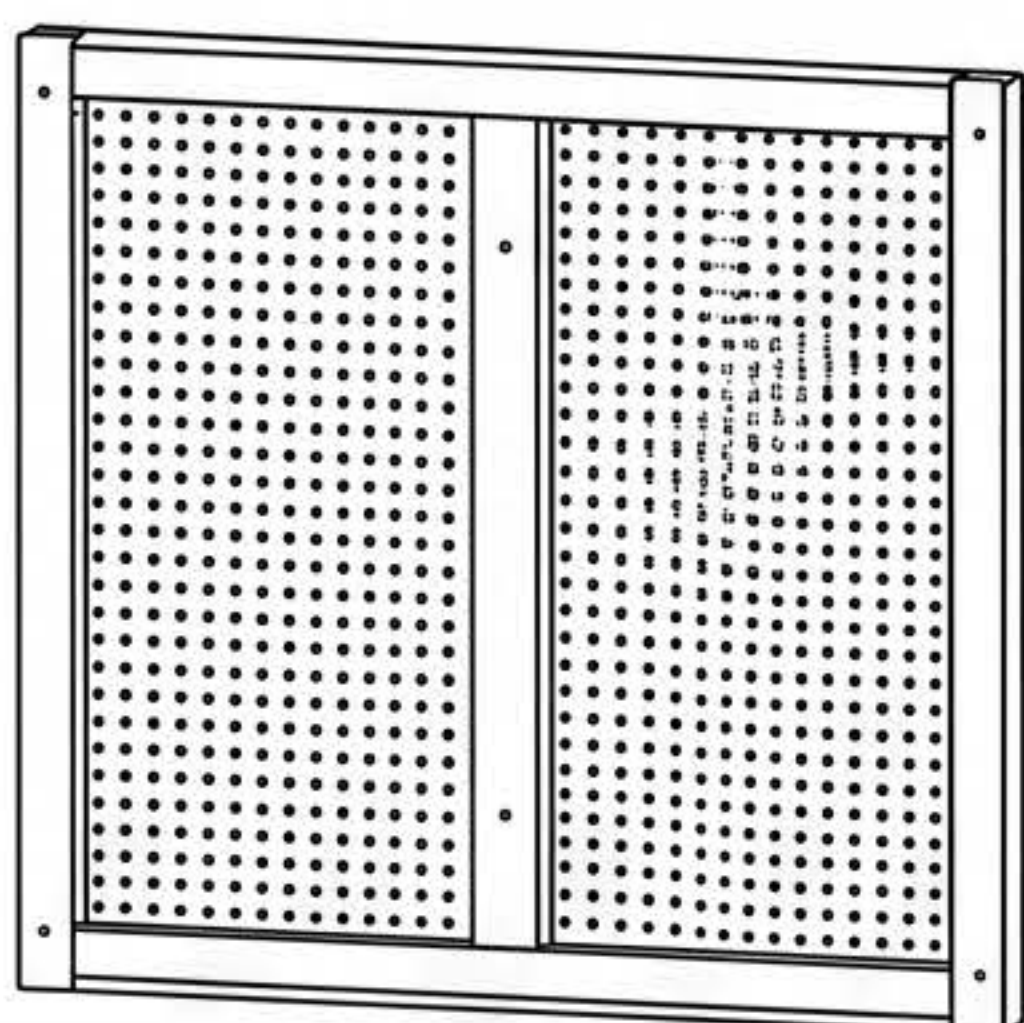
Hanging Rod x 2



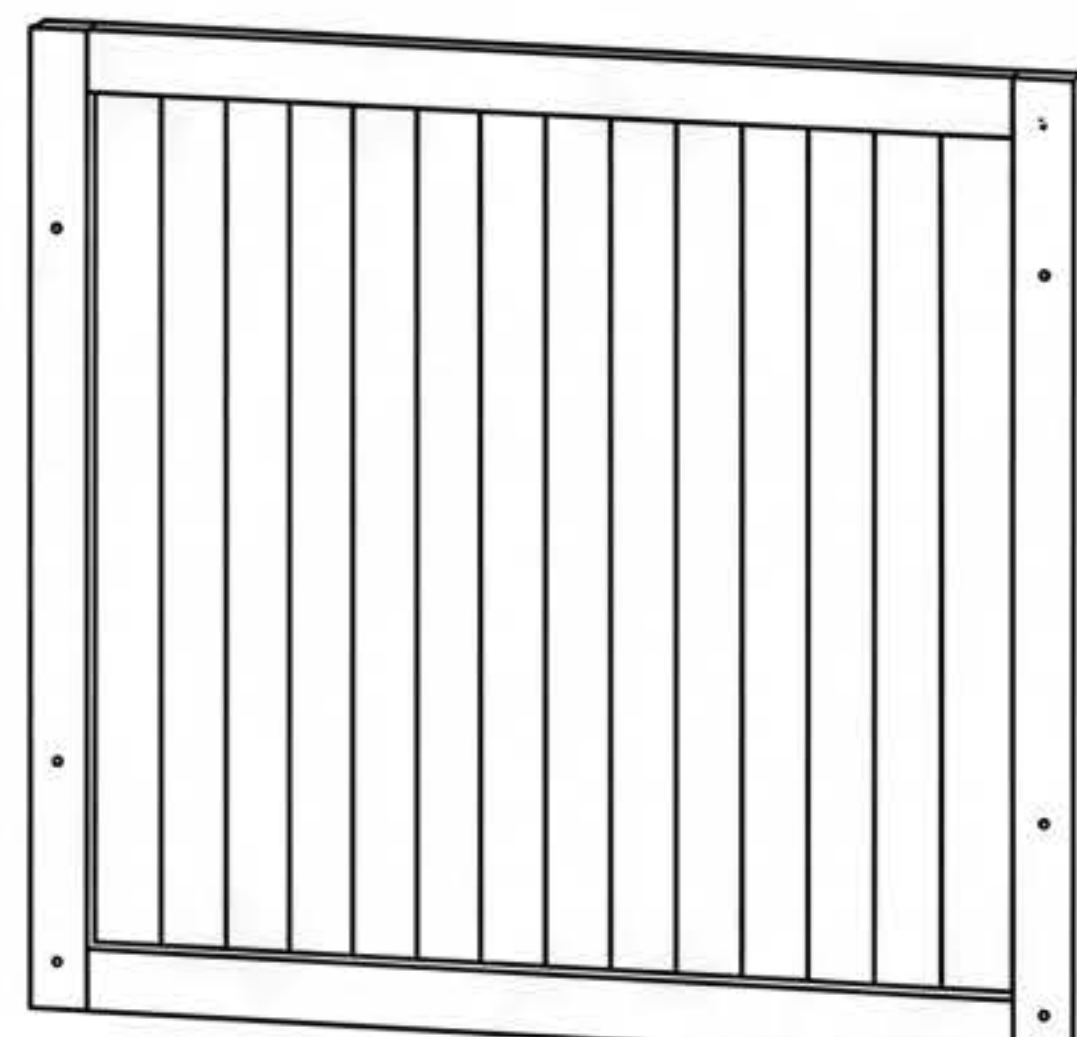
Front Guard Strip x 1
(No Groove)



Back Panel Guard Strip x 2
(Left & Right Grooved)



Mesh Grid Shelf x 1



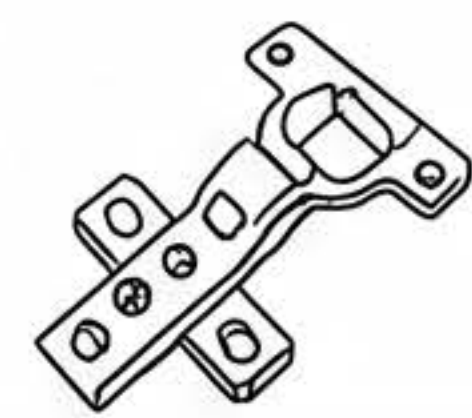
Phyllostachys Pubescens
Shelf x 2



Short
Screw



Long Screw

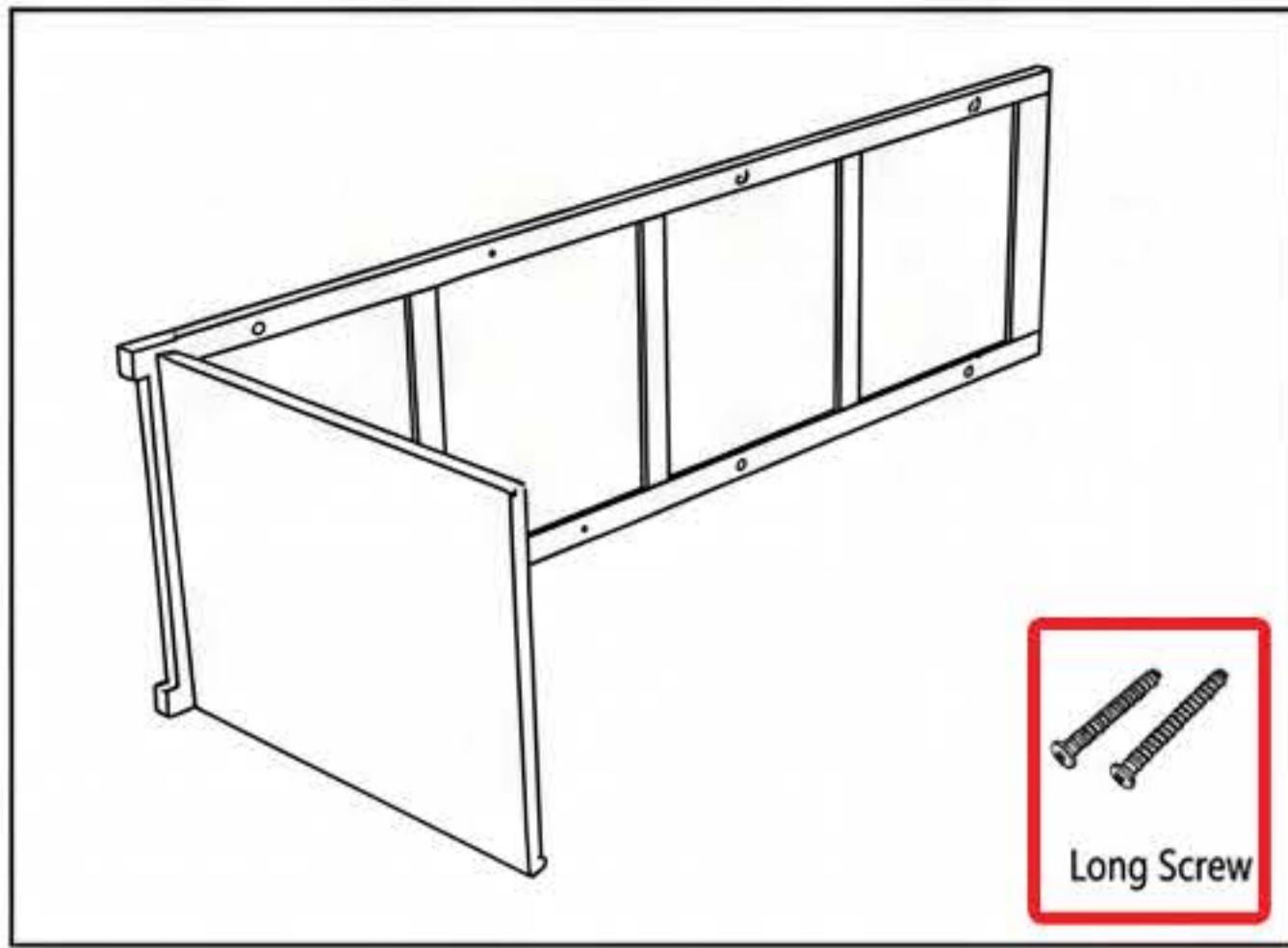


Hinge

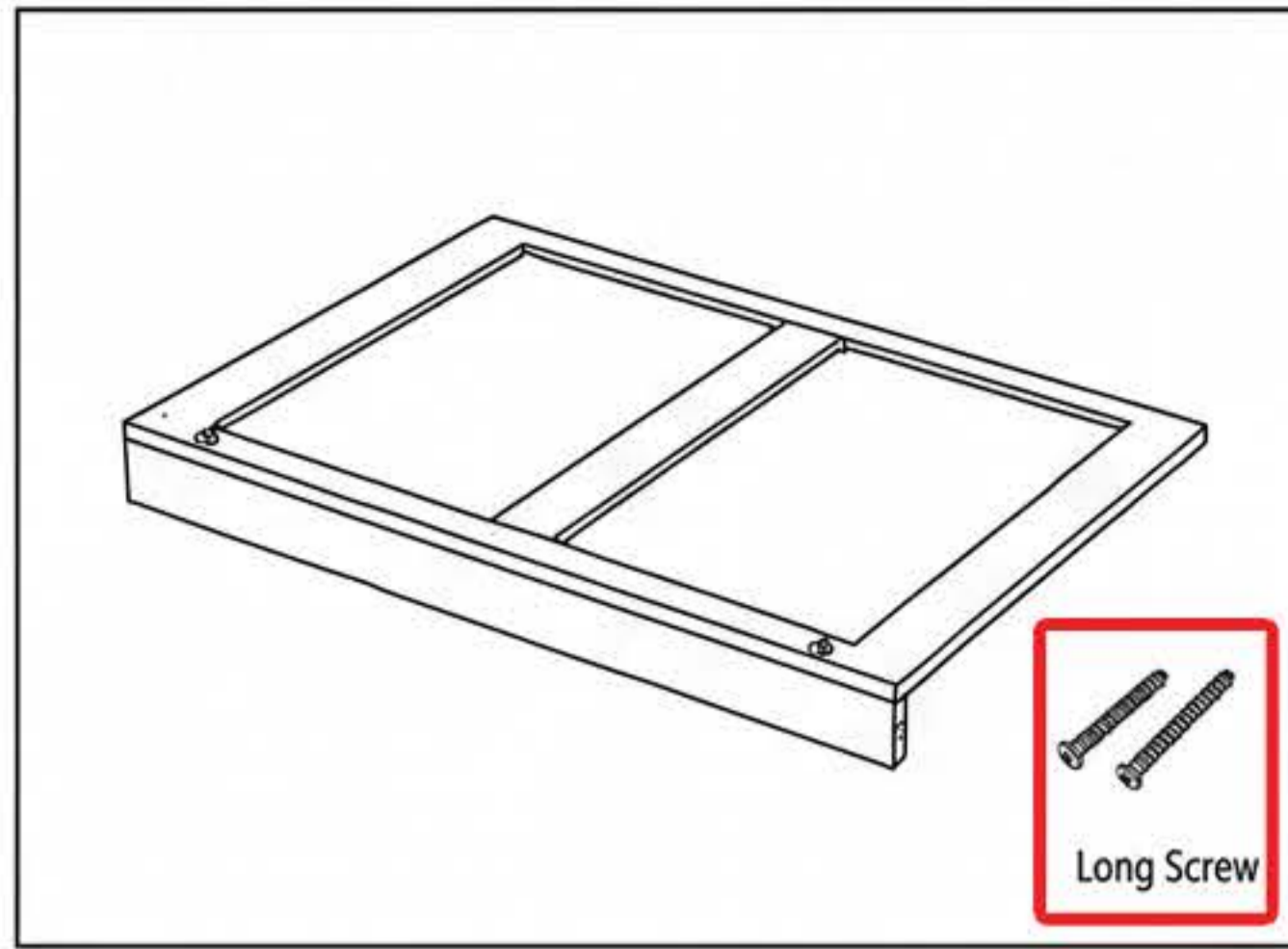


Hex Key
(Installation Tool)

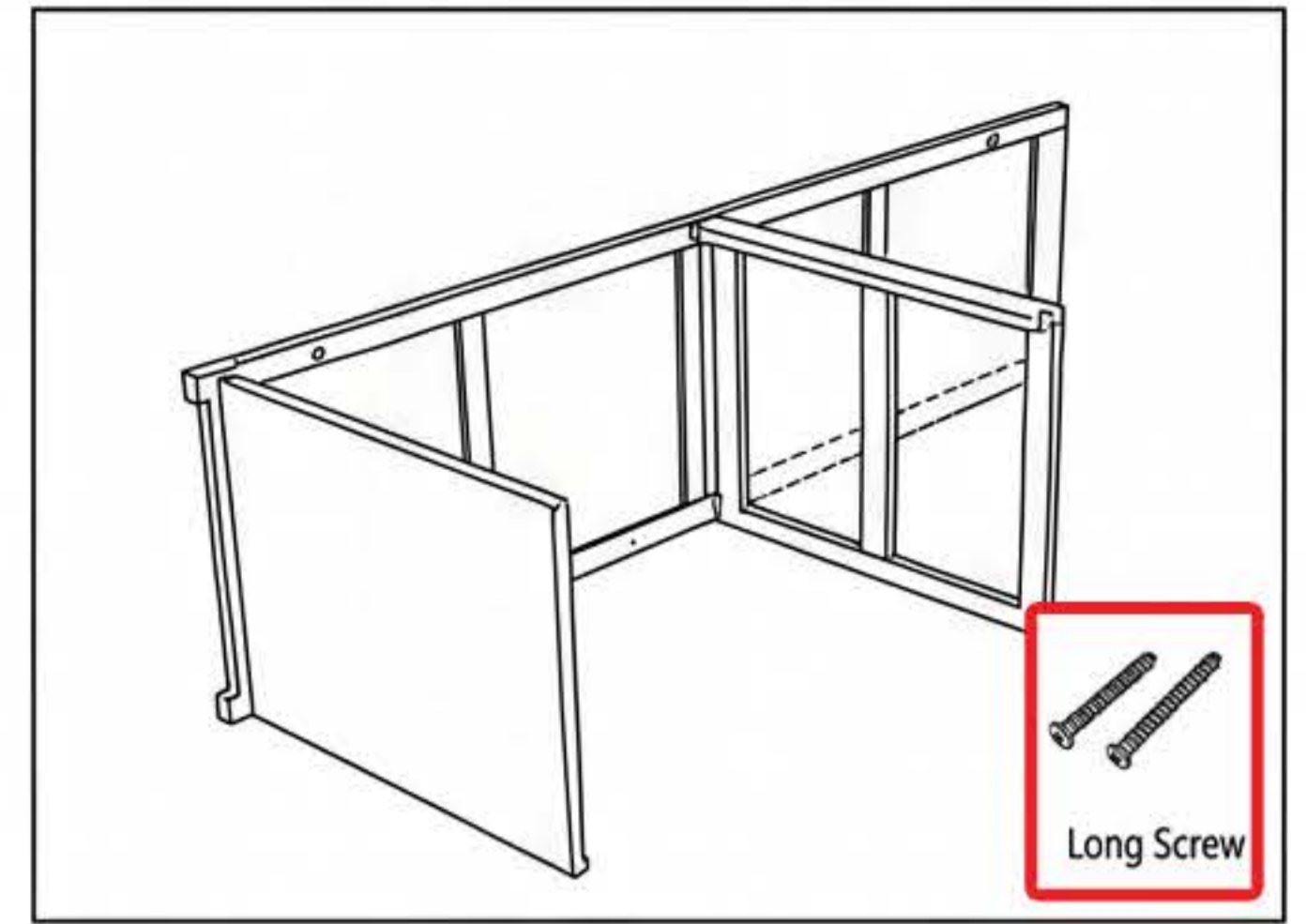
Begin Assembly



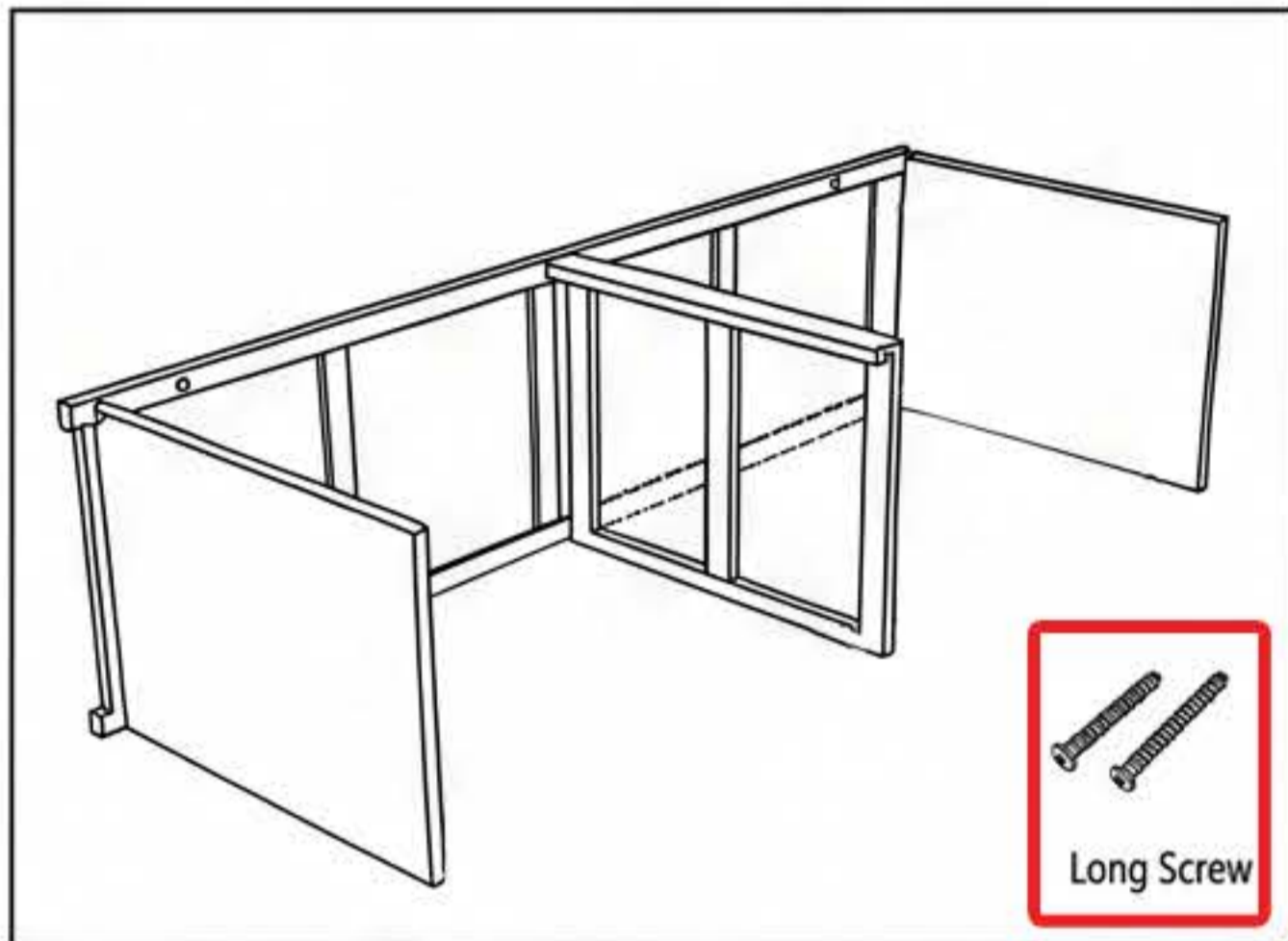
1. Take out the left side support and the bamboo shelves, and install them with long screws. (Note: Align the shelves with the support grooves)



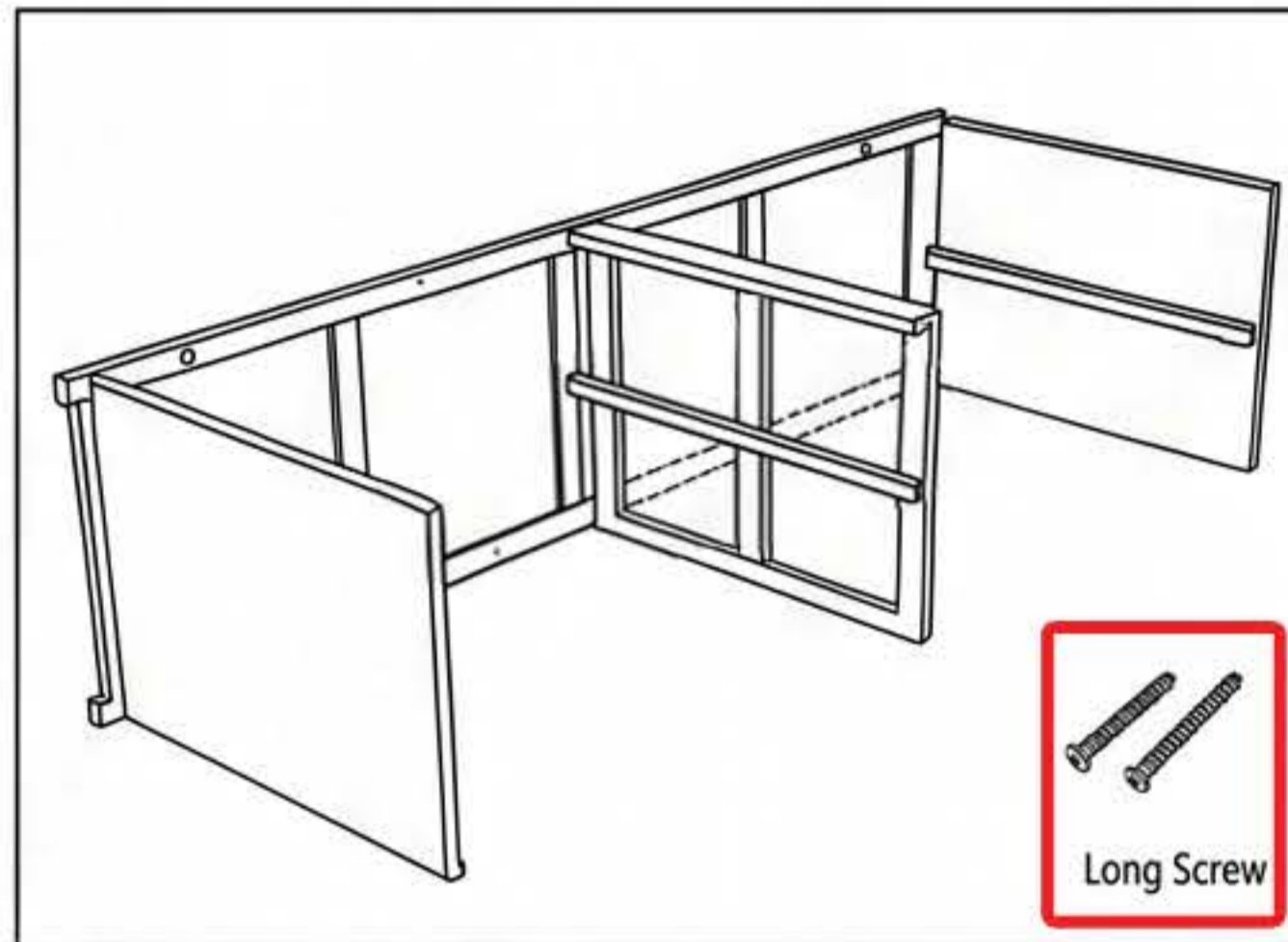
2. Take out the grid shelves and the front blocking strips, and install them with long screws.



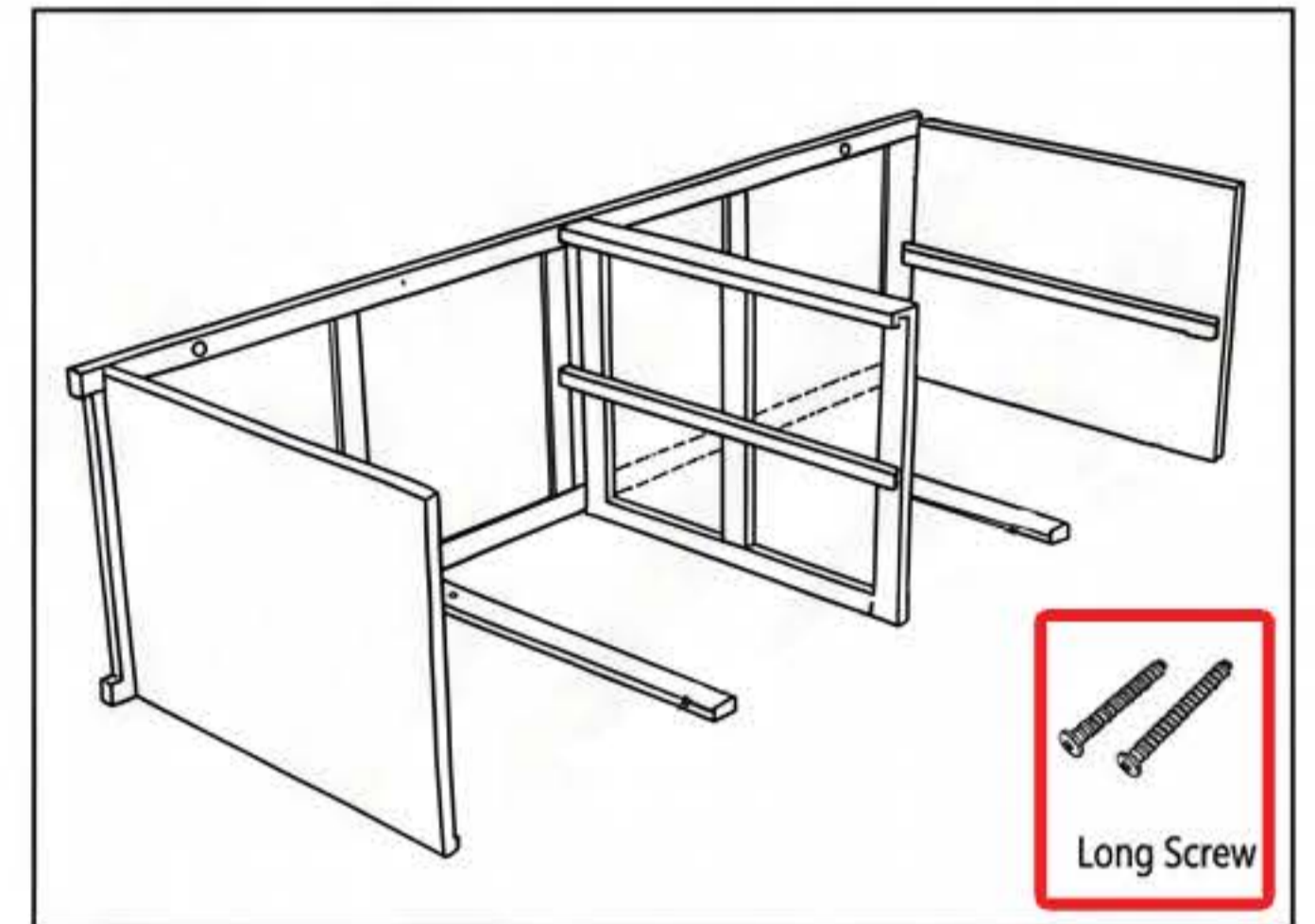
3. Secure the grid shelves to the side supports with long screws. (Note: Align the shelves with the support grooves)



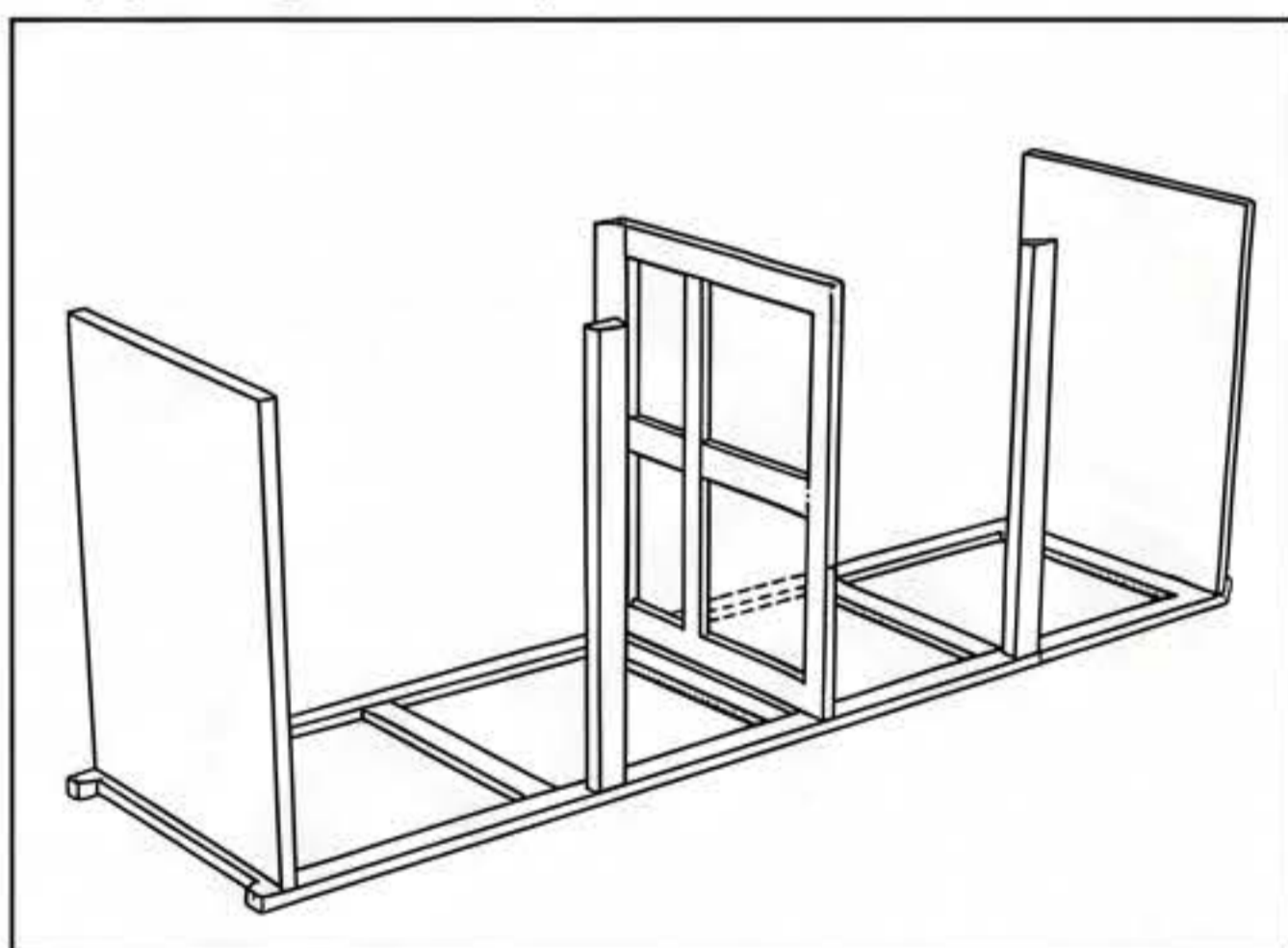
4. Continue taking out the bamboo shelves and installing them with long screws. (Note: Align the shelves with the support grooves)



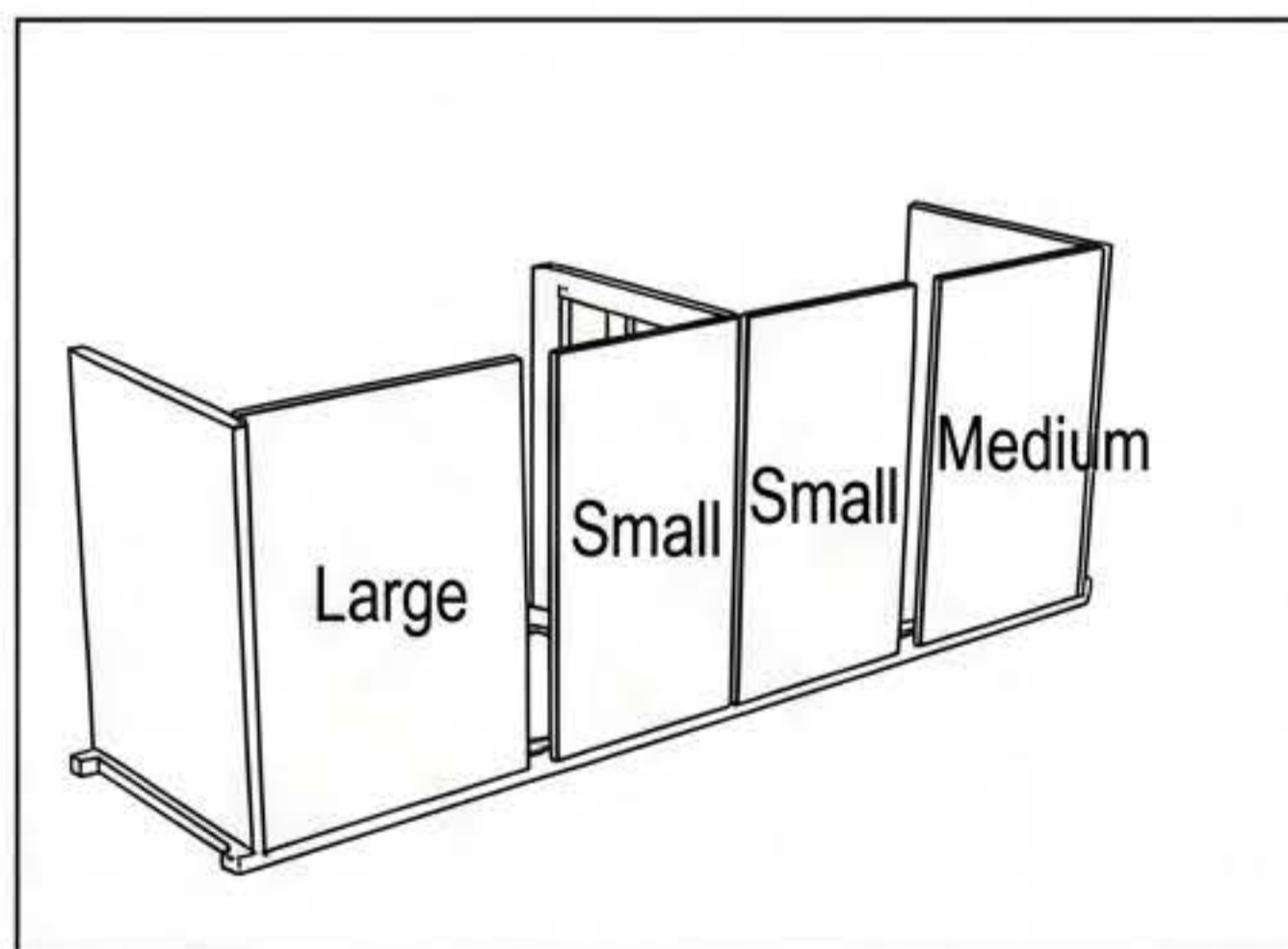
5. Take out the hanging rod and install it with long screws.



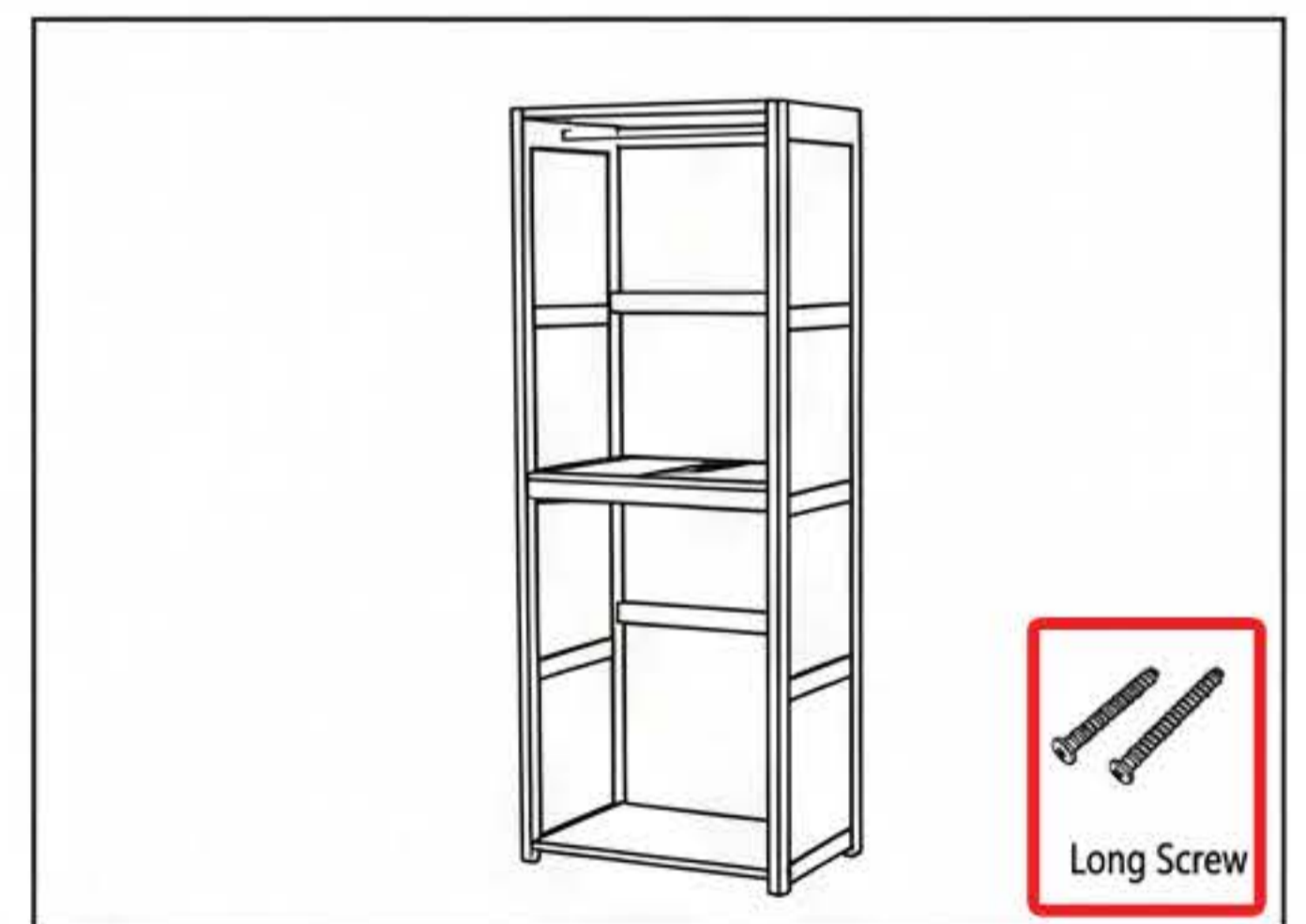
6. Take out the back panel battens and install them with long screws.



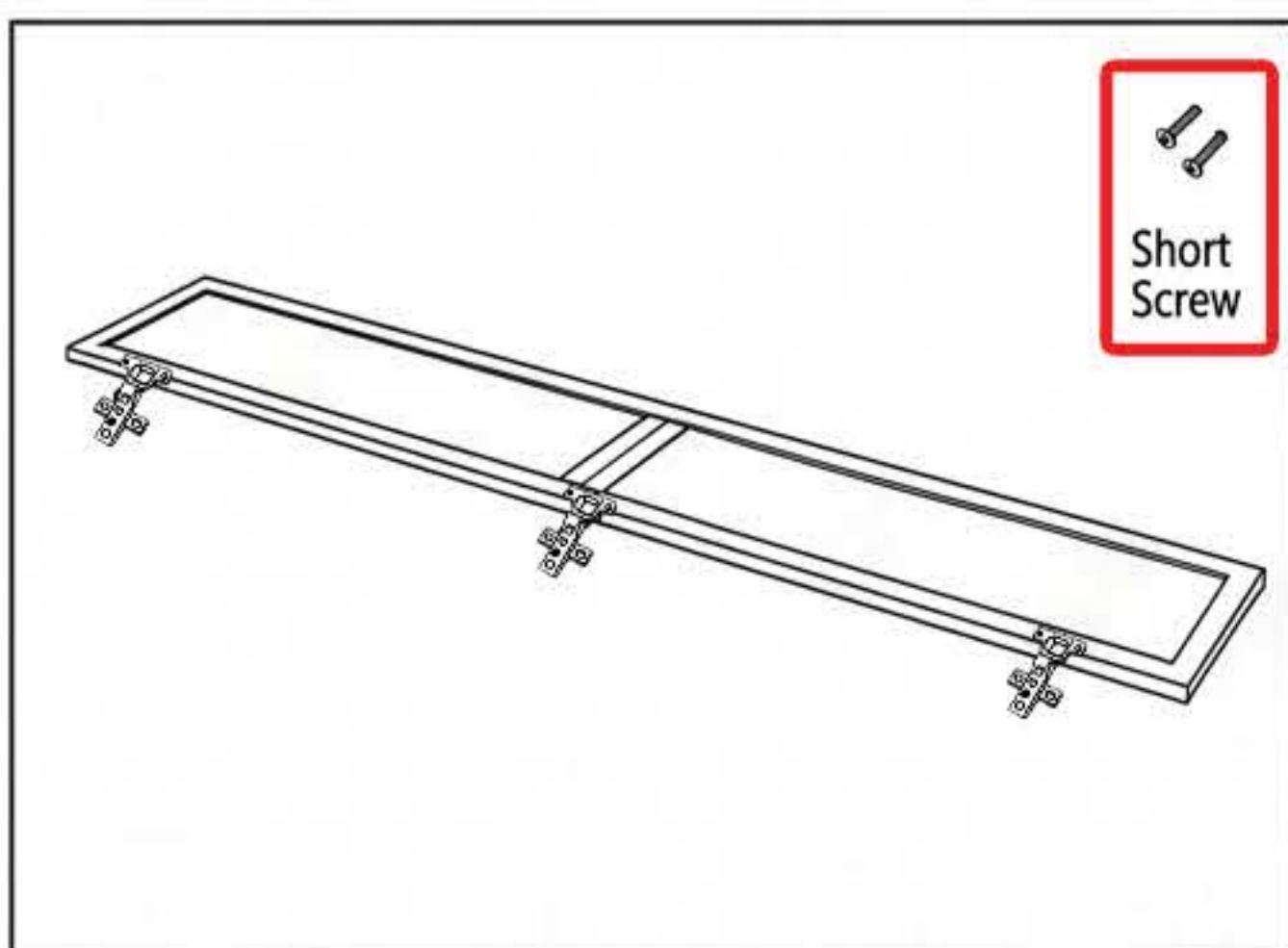
7. Stand up the frame.



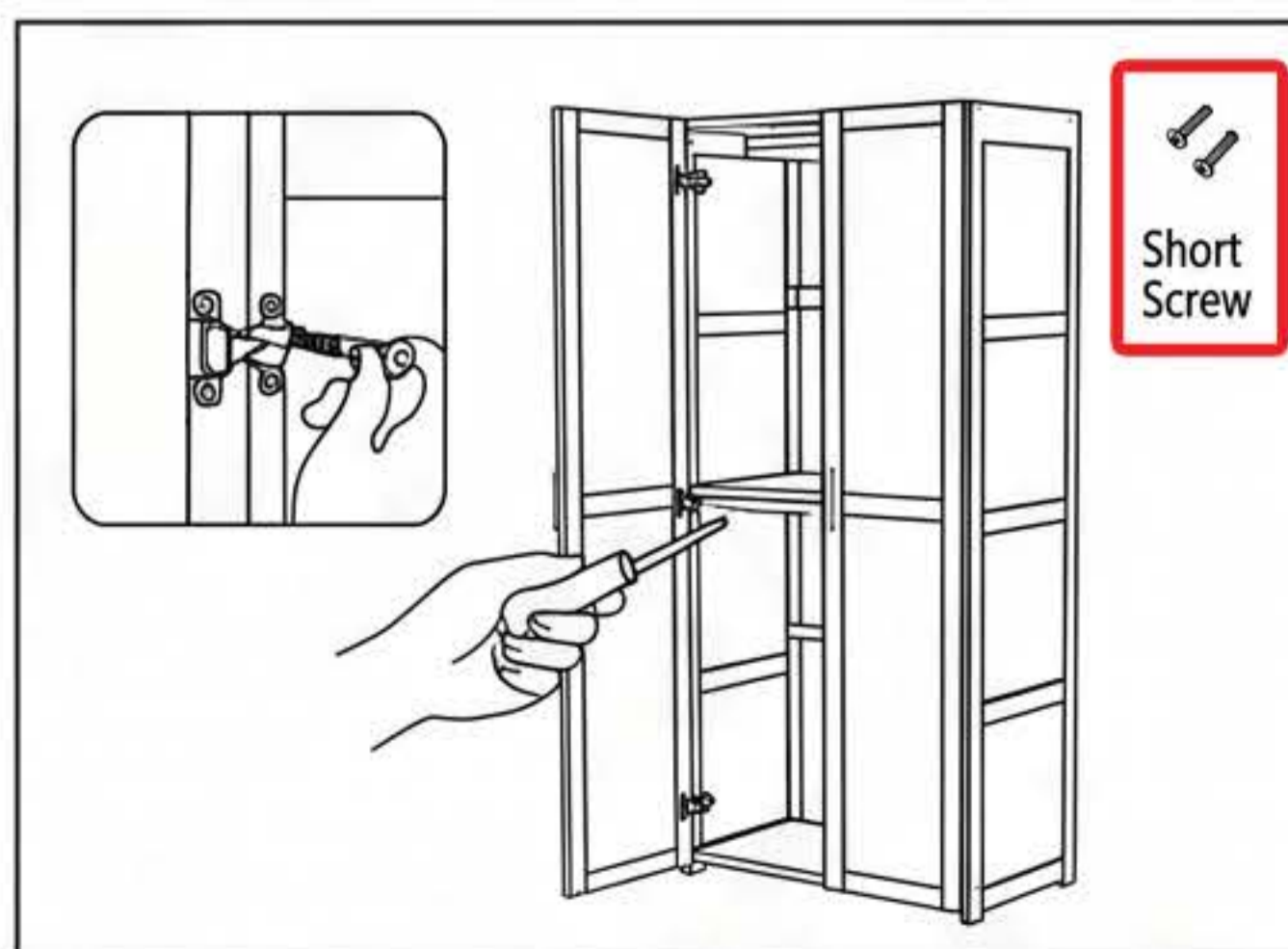
8. Take out the large, medium, and small back panels and insert them along the grooves.



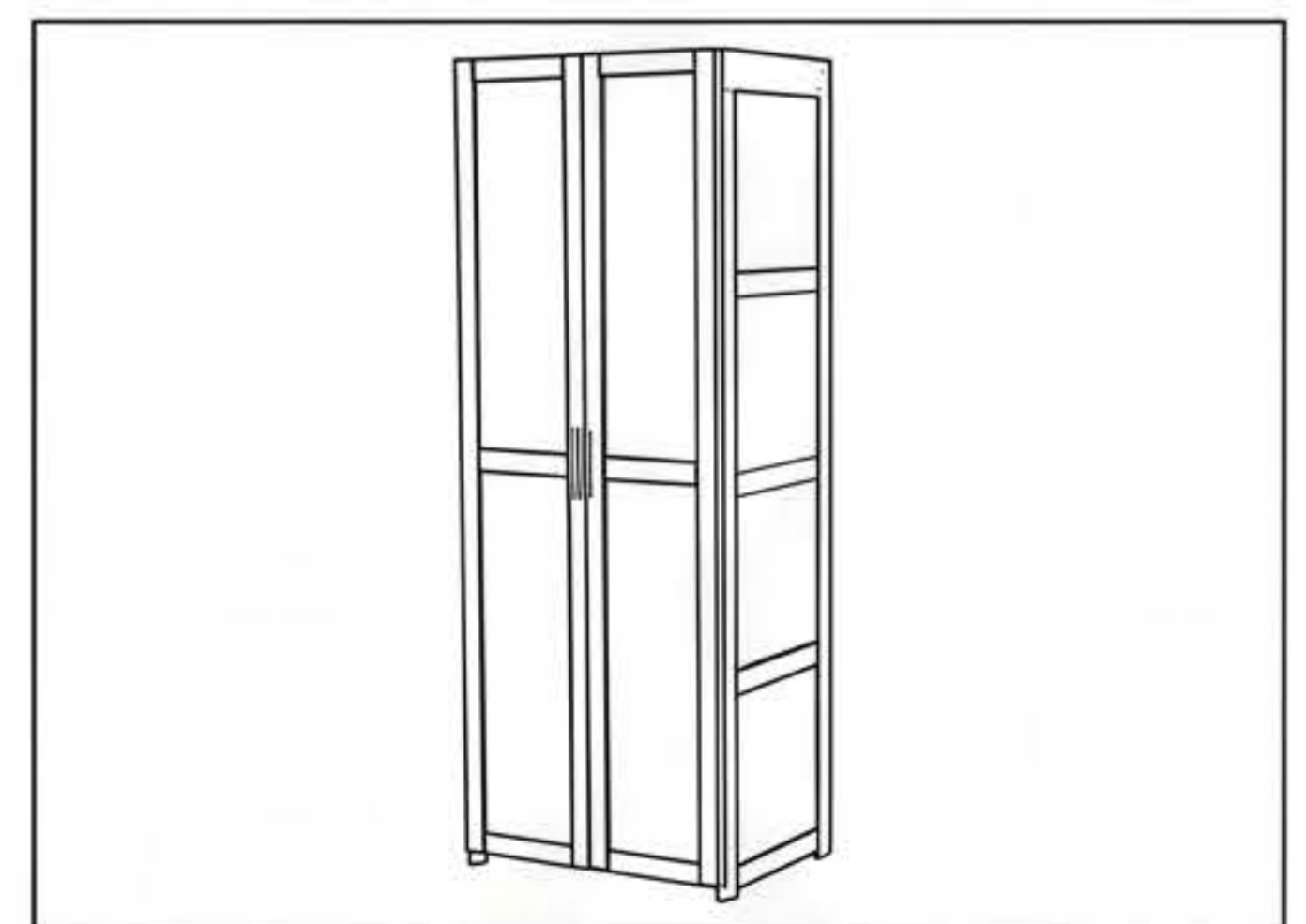
9. Take out the right side support, install it with long screws, and stand up the frame.



10. Take out the door panels and hinges, and install them with short screws.



11. Then, secure the left door panel with the installed hinges to the frame with short screws.



12. In the same manner, install the right door panel.