

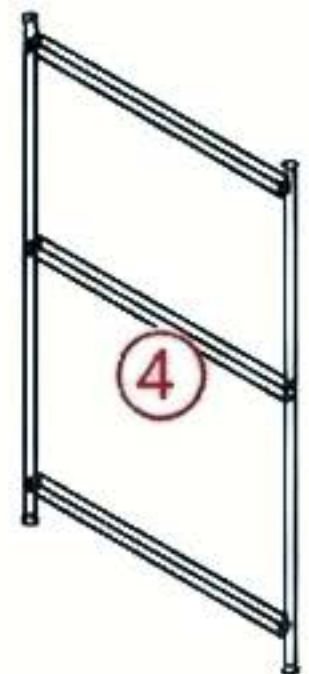
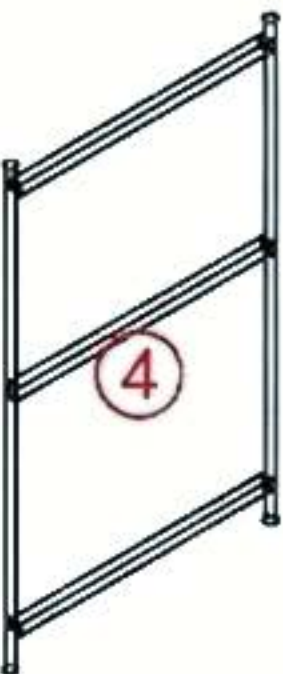
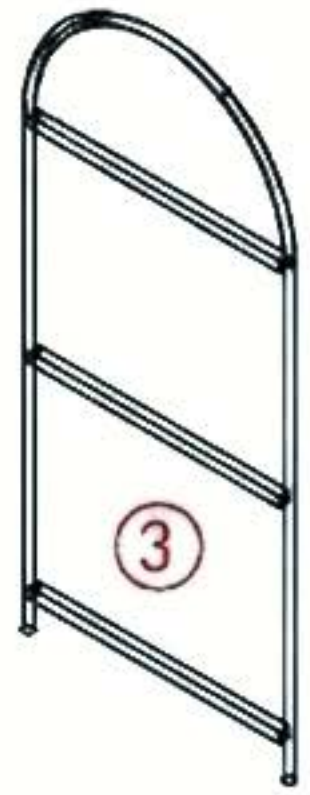
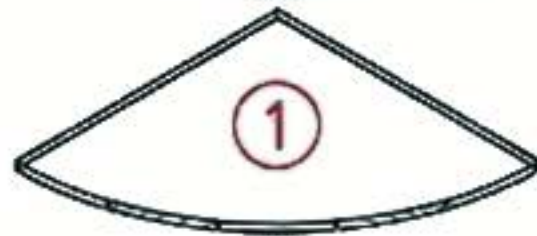
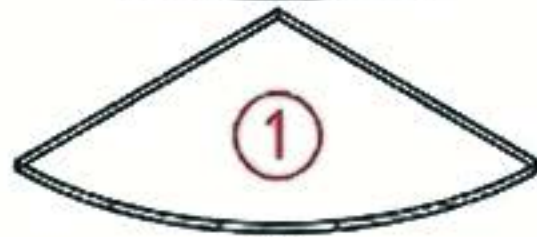
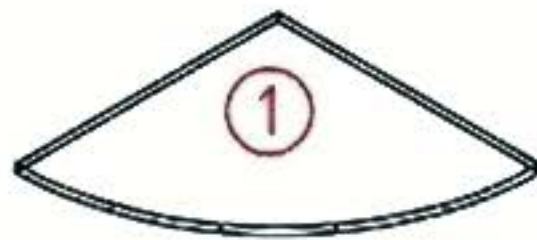
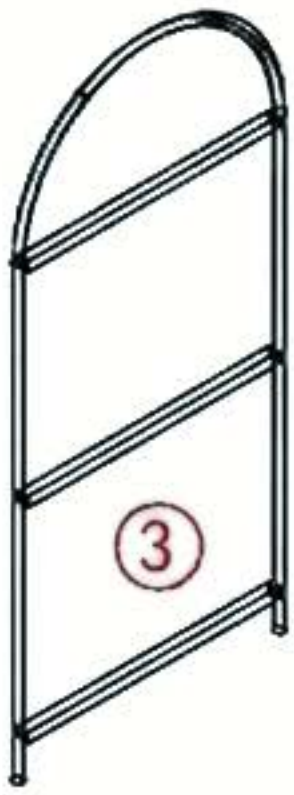
BS053 Installation Instruction

Product Parts & Quantity ●

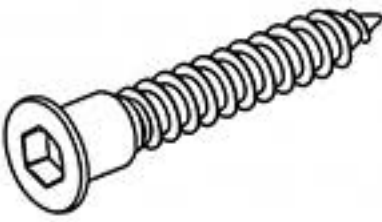



Bottom Section Assembly ●

Top Section Assembly ●

Final Assembly ●



I. Product Components and Quantities (Extra spare screws suggested)

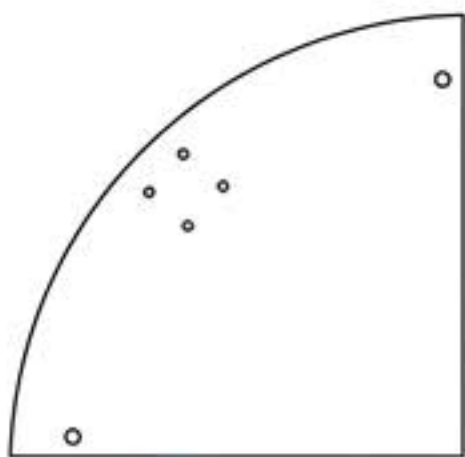
	
6*40 Hex Socket Wood Screw	3.5*12 Self-tapping Screw
M6*1*26 (Includes 2 spares)	A1*5 (Includes 1 spare)
	
Round End Cap (φ16)	Screwdriver
Q17*5 (Includes 1 spare)	Qty: 1

Warm Tips:

- 1, Refer to the diagrams to distinguish parts; product colors are for reference only.
- 2, Partially tighten screws (70%). Secure all parts before fully tightening!
- 3, Place components with red surfaces facing down or inwards.
- 4, Read all diagrams before starting assembly.
- 5, Any extra screw parts are spares provided by the manufacturer!

2. Begin Assembly: Bottom Section Assembly

<1>



② Base Board



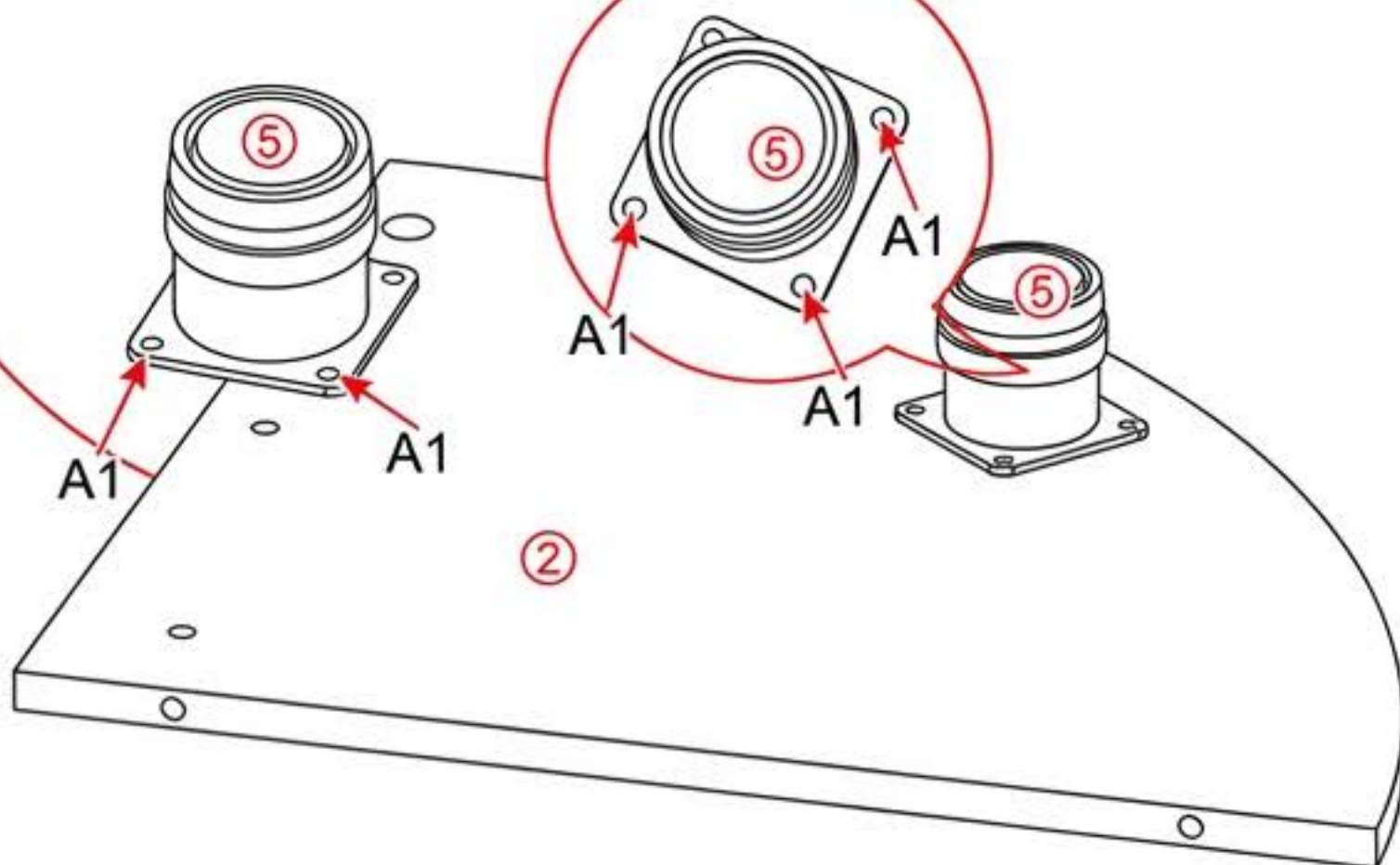
⑤ Metal Leg

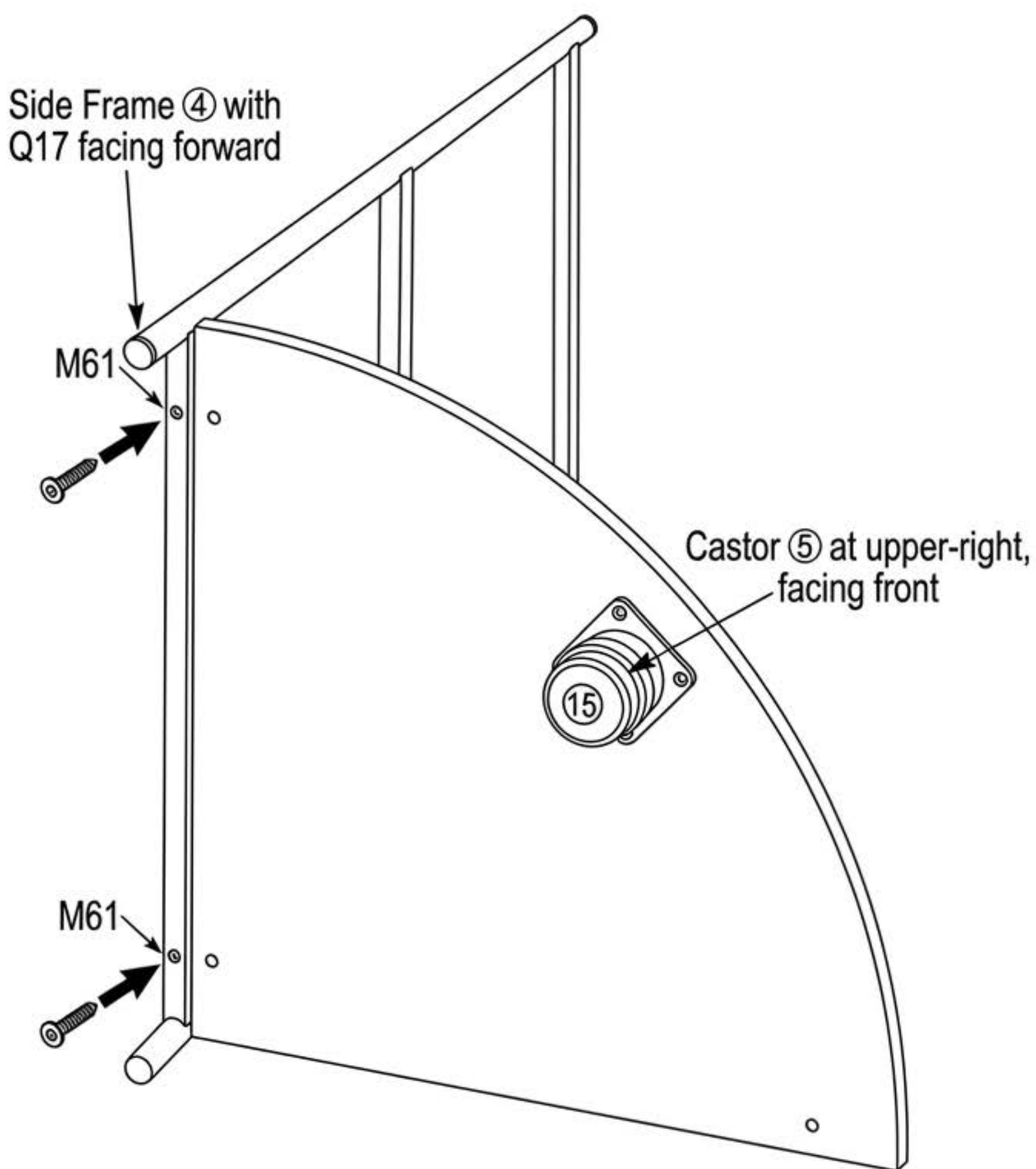
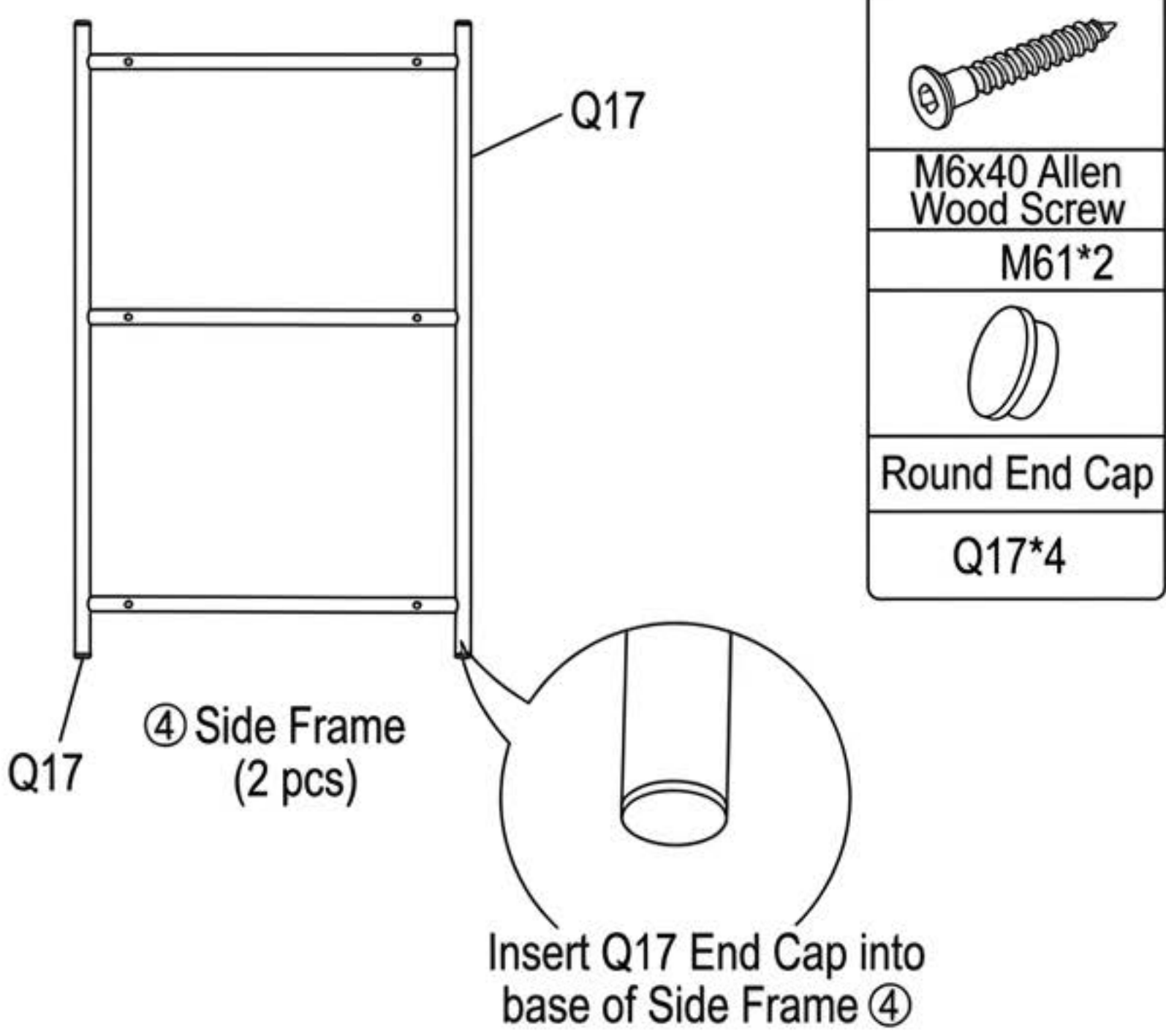


3.5*12 Self-tapping
Screw

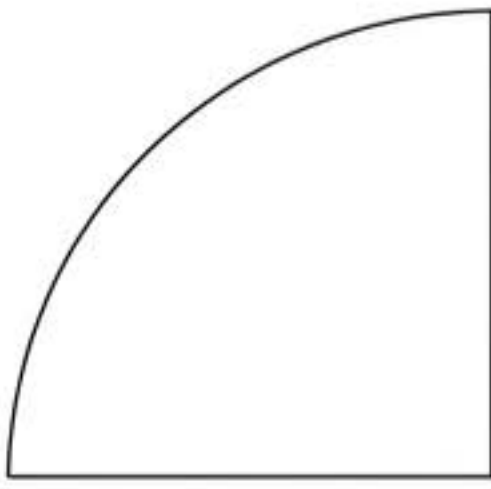
A1 * 4

Fasten Leg ⑤ to Base Board ② at the marked pin-hole locations using A1.

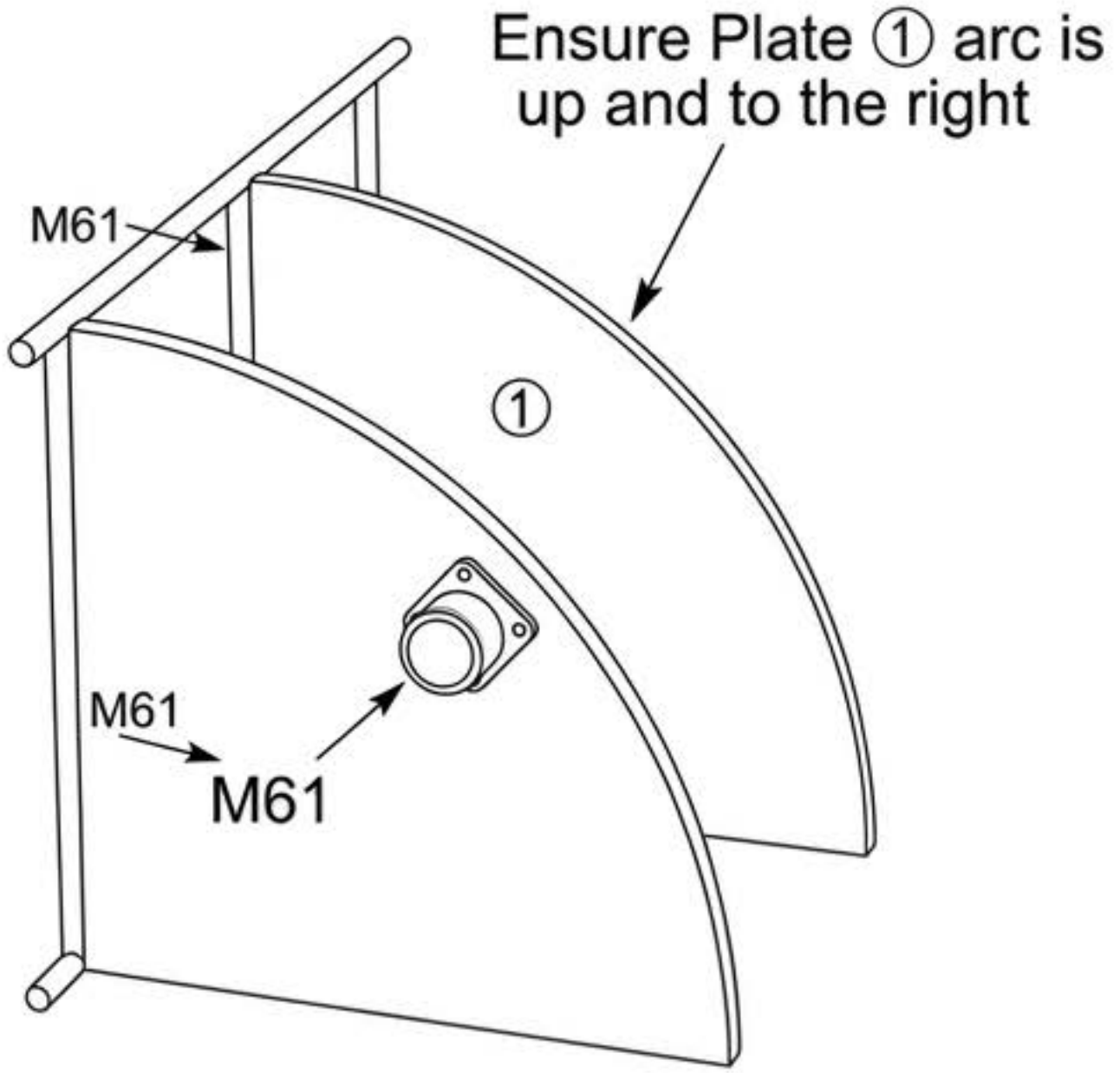




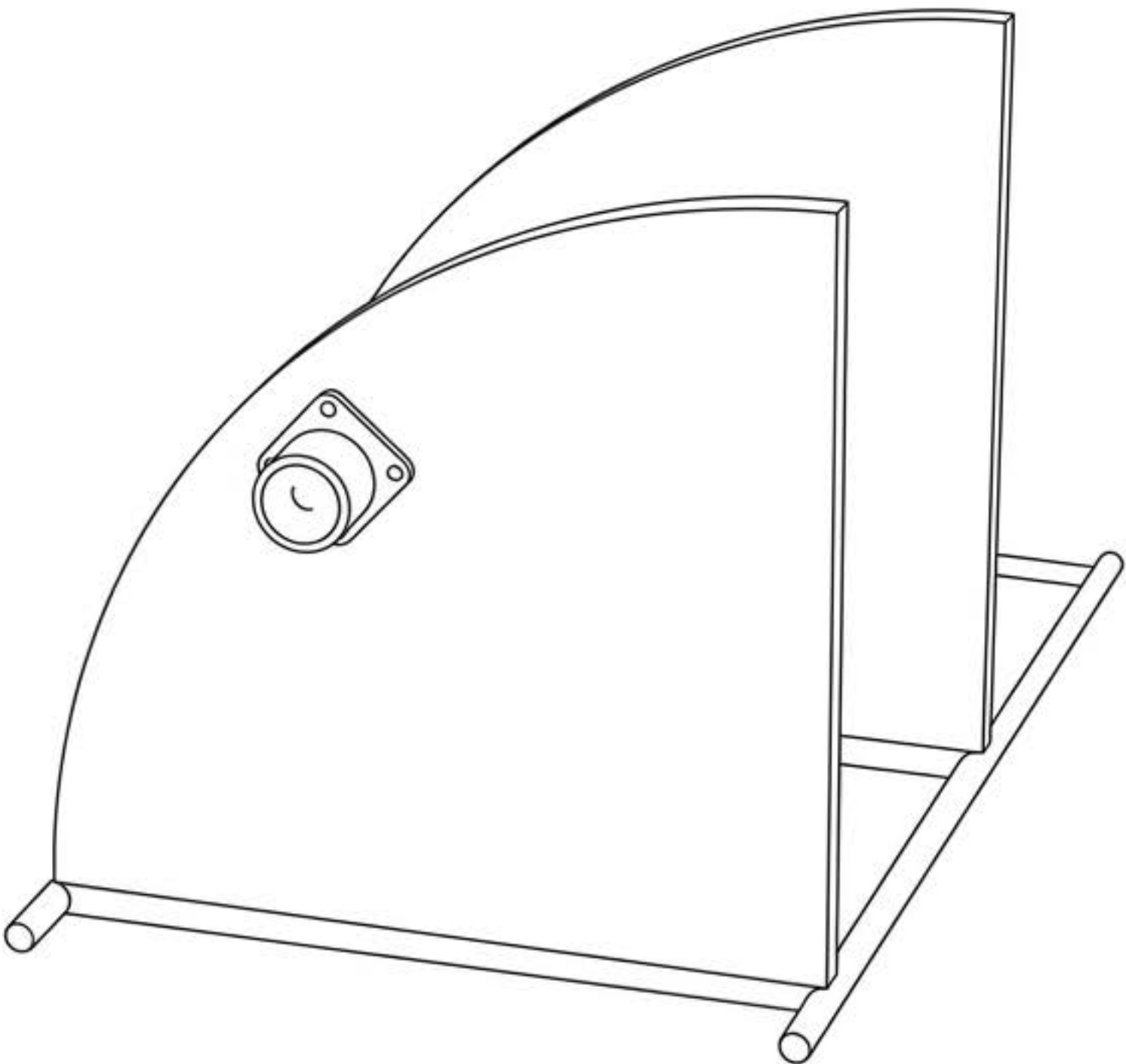
<①>



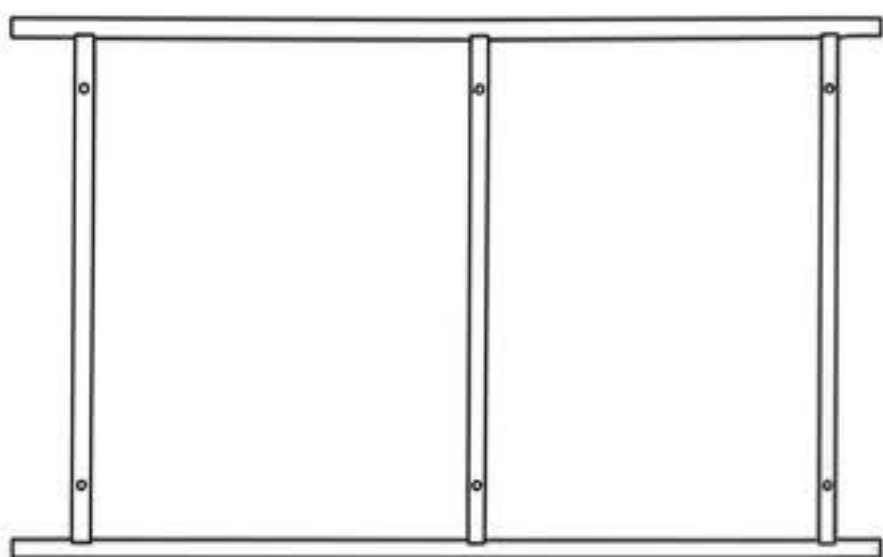
<①> Shelf Board



<④> Flip the entire assembly

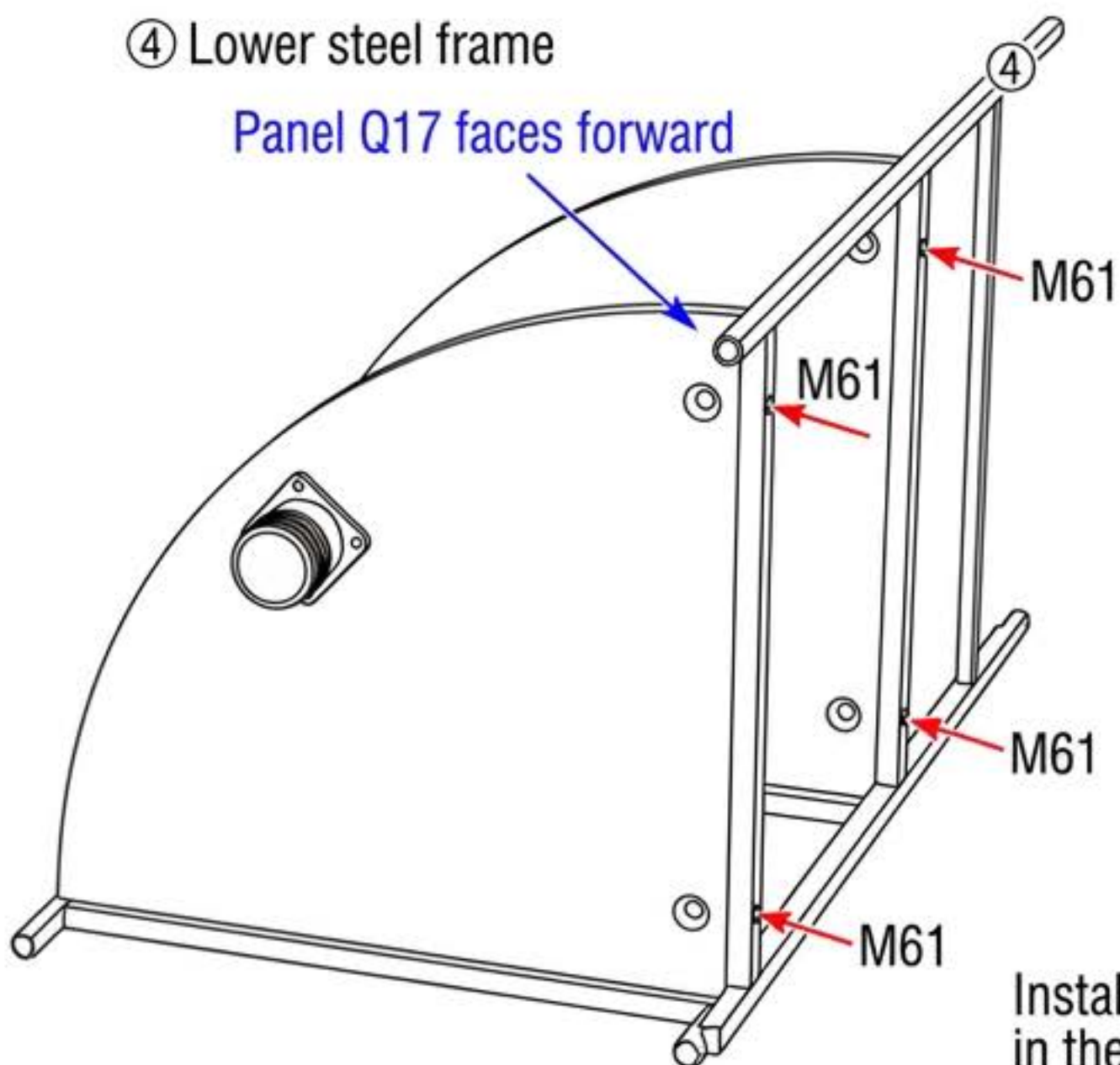


<5>



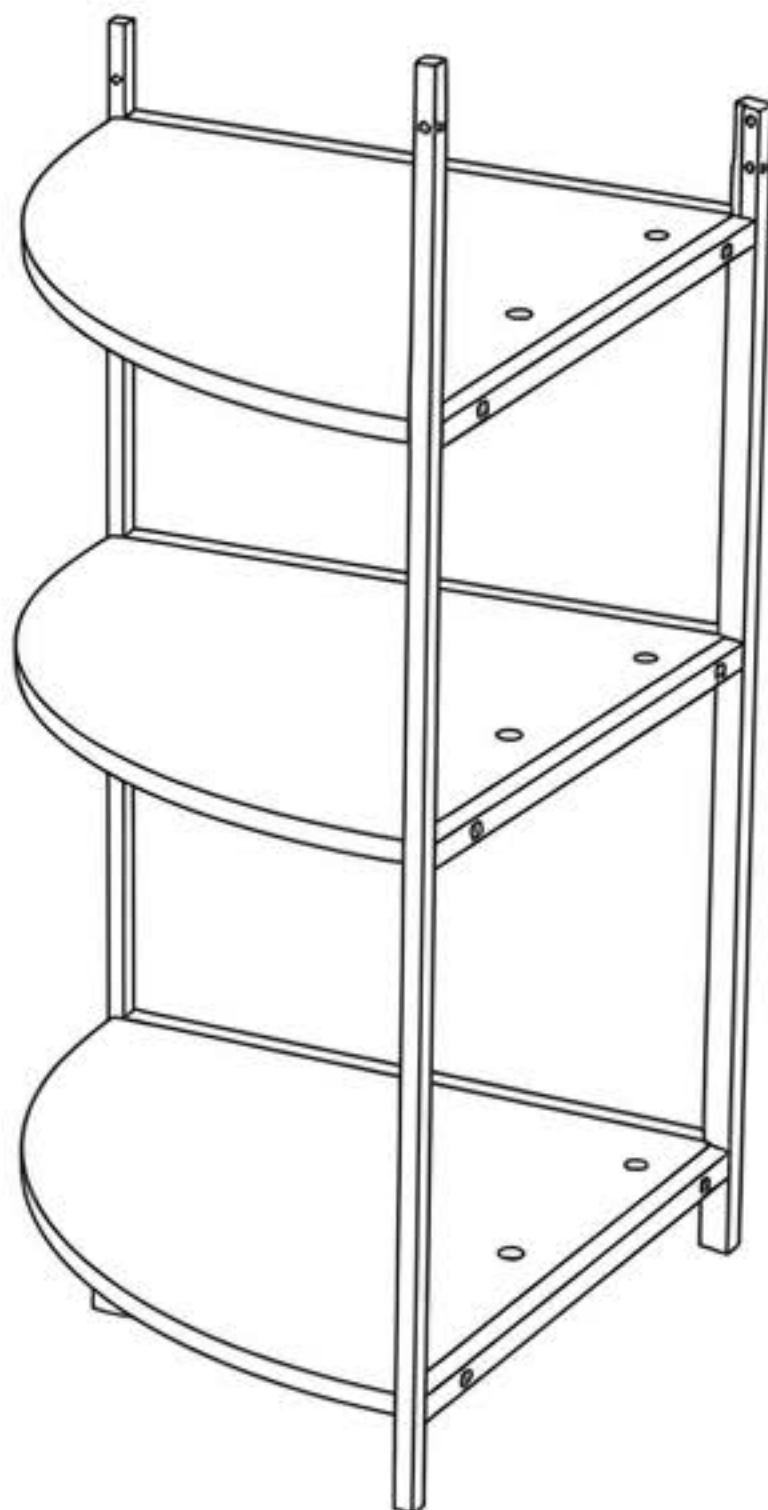
④ Lower steel frame

Panel Q17 faces forward



Install the third panel
in the same manner.

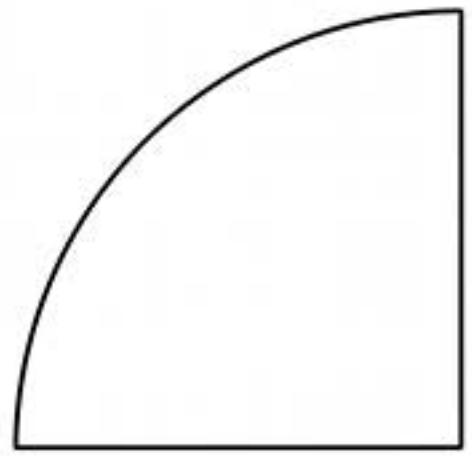
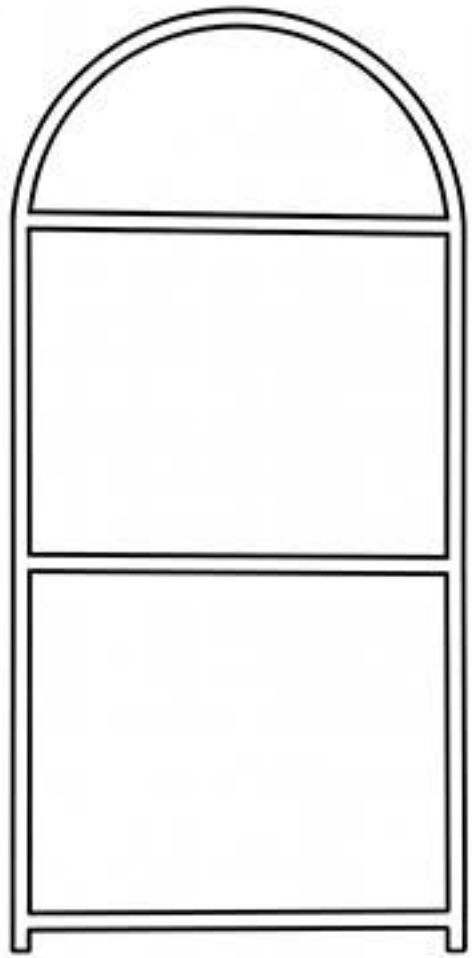
<6> Align the entire assembly.



Lower part assembly completed.

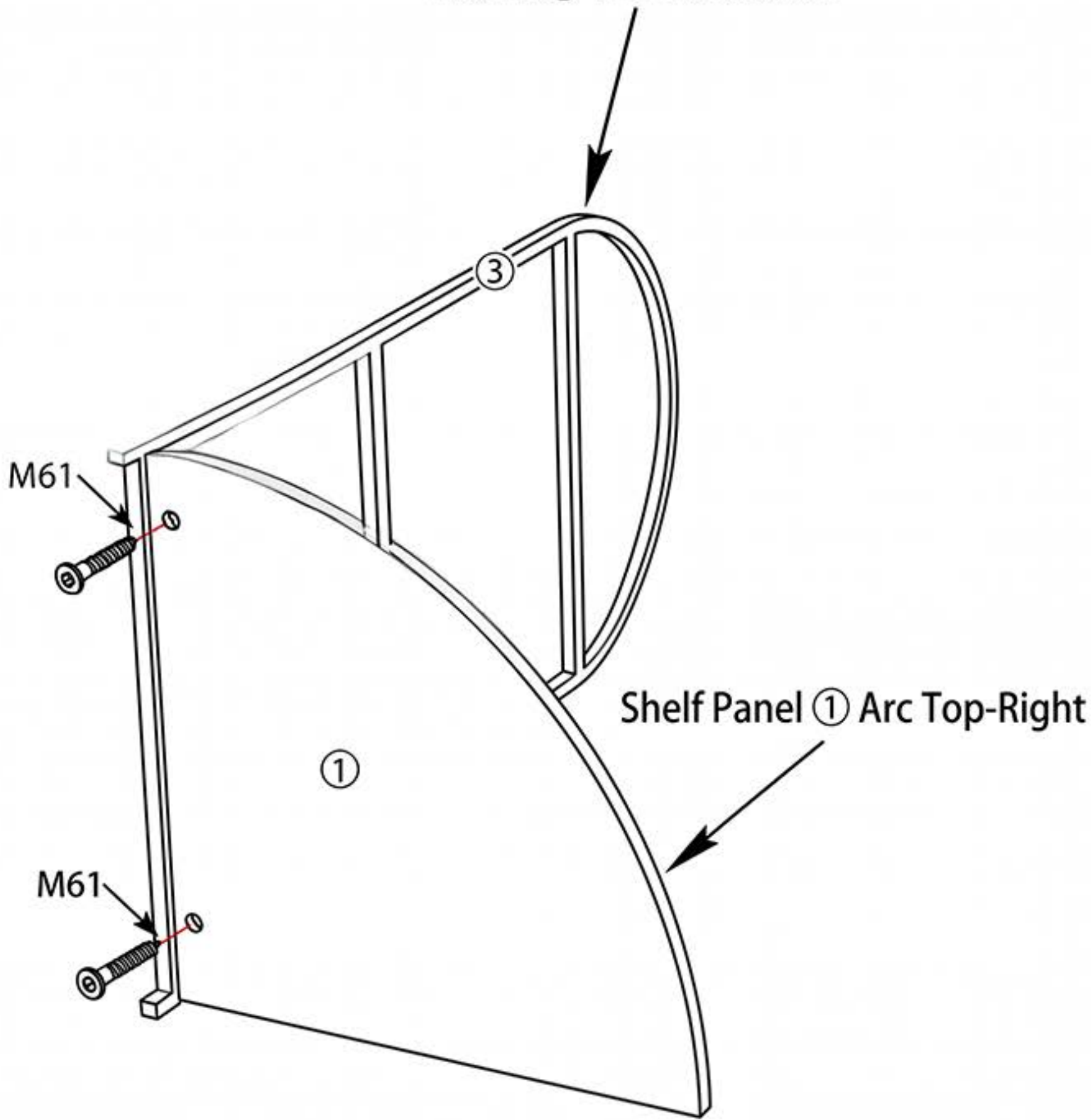
3. Upper Section Installation

<1>

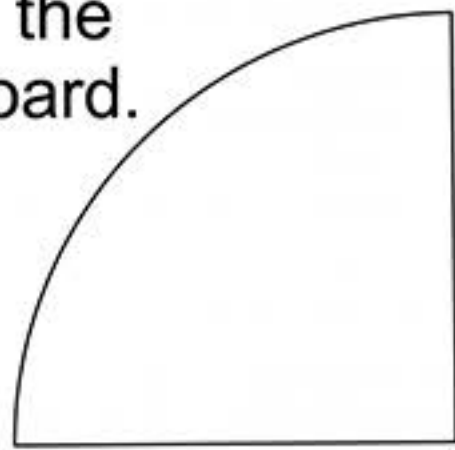


① Shelf Panel

Frame ③ Arc Backwards



<2> Similarly, install the remaining #1 board.

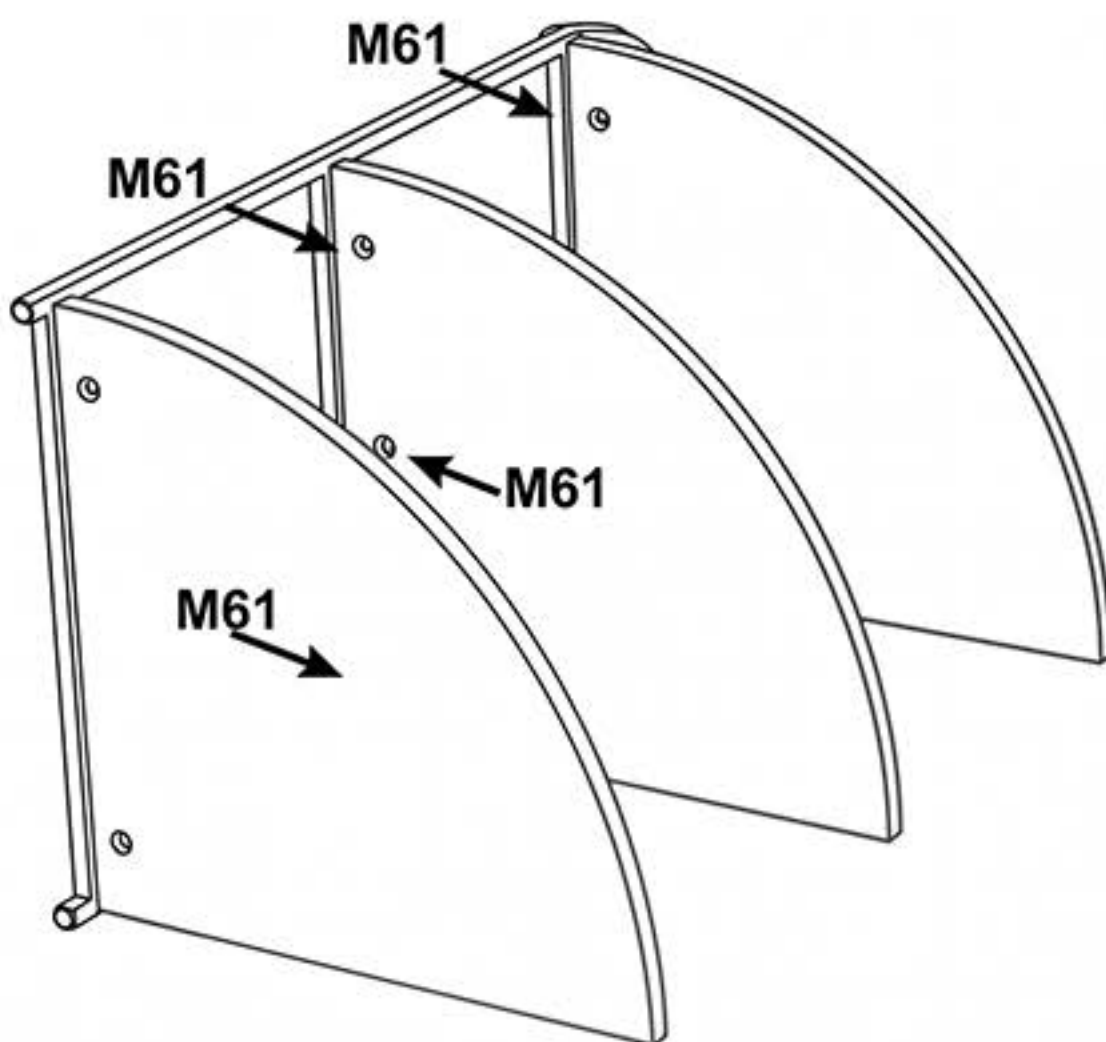


① Shelf

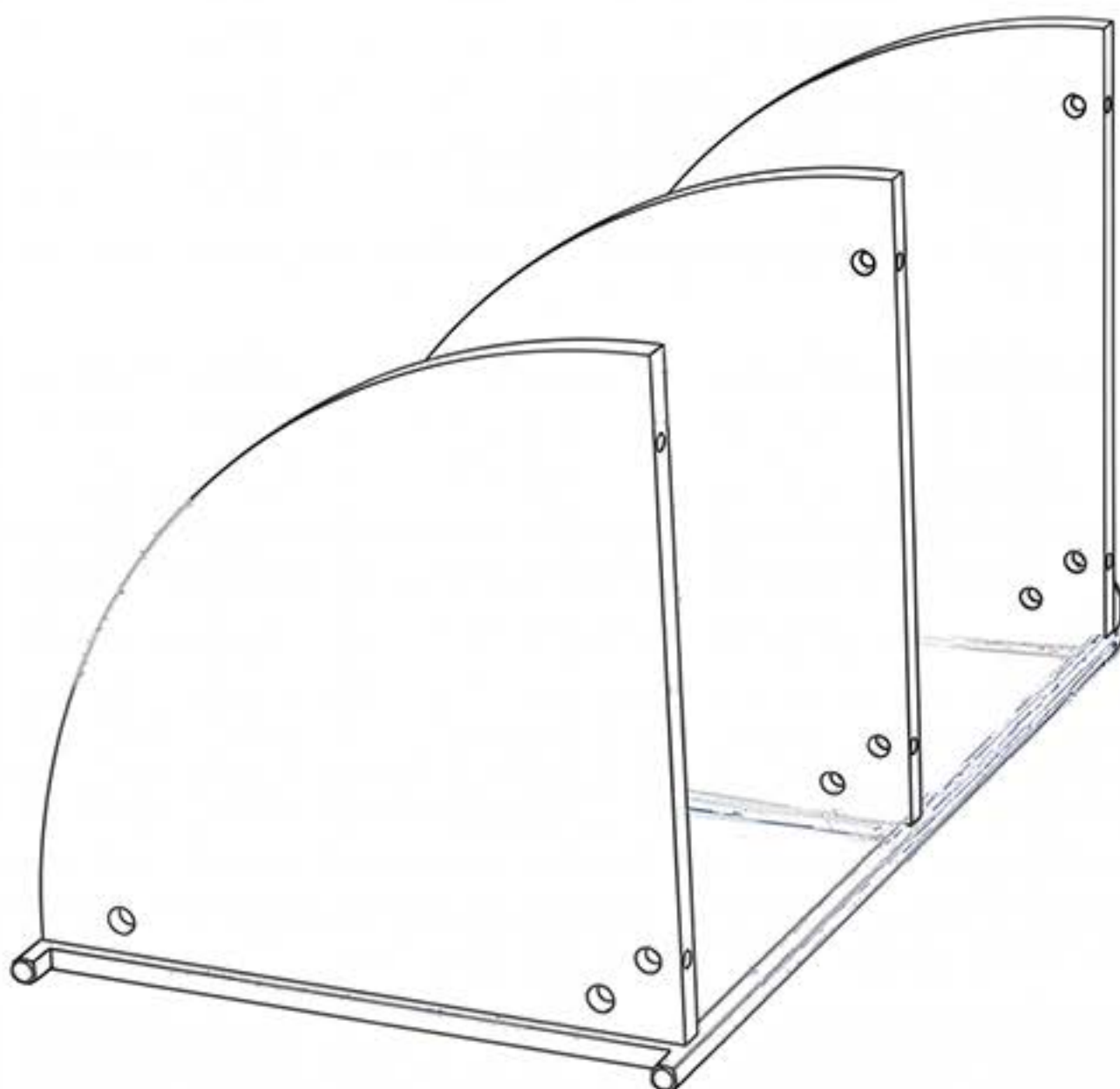


6*40 Allen Head
Wood Screw

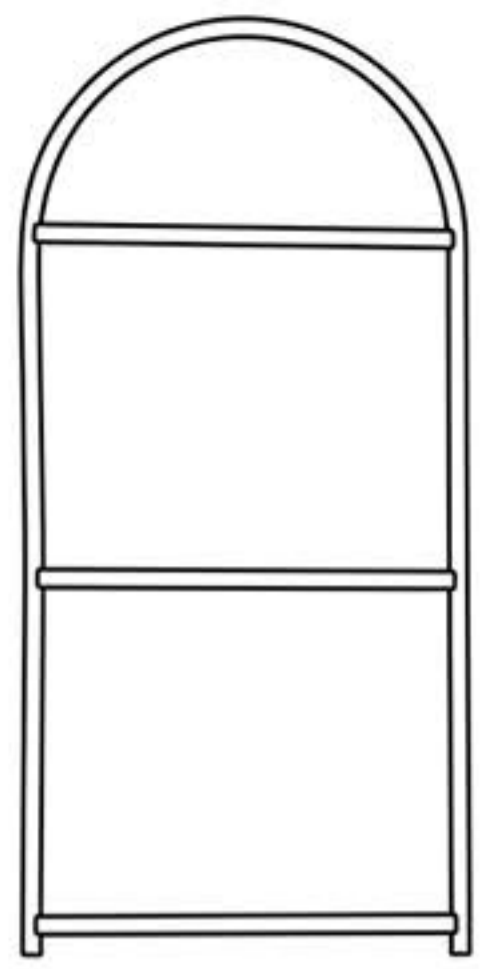
M61 x 4



<3> Turn Over.



<4>



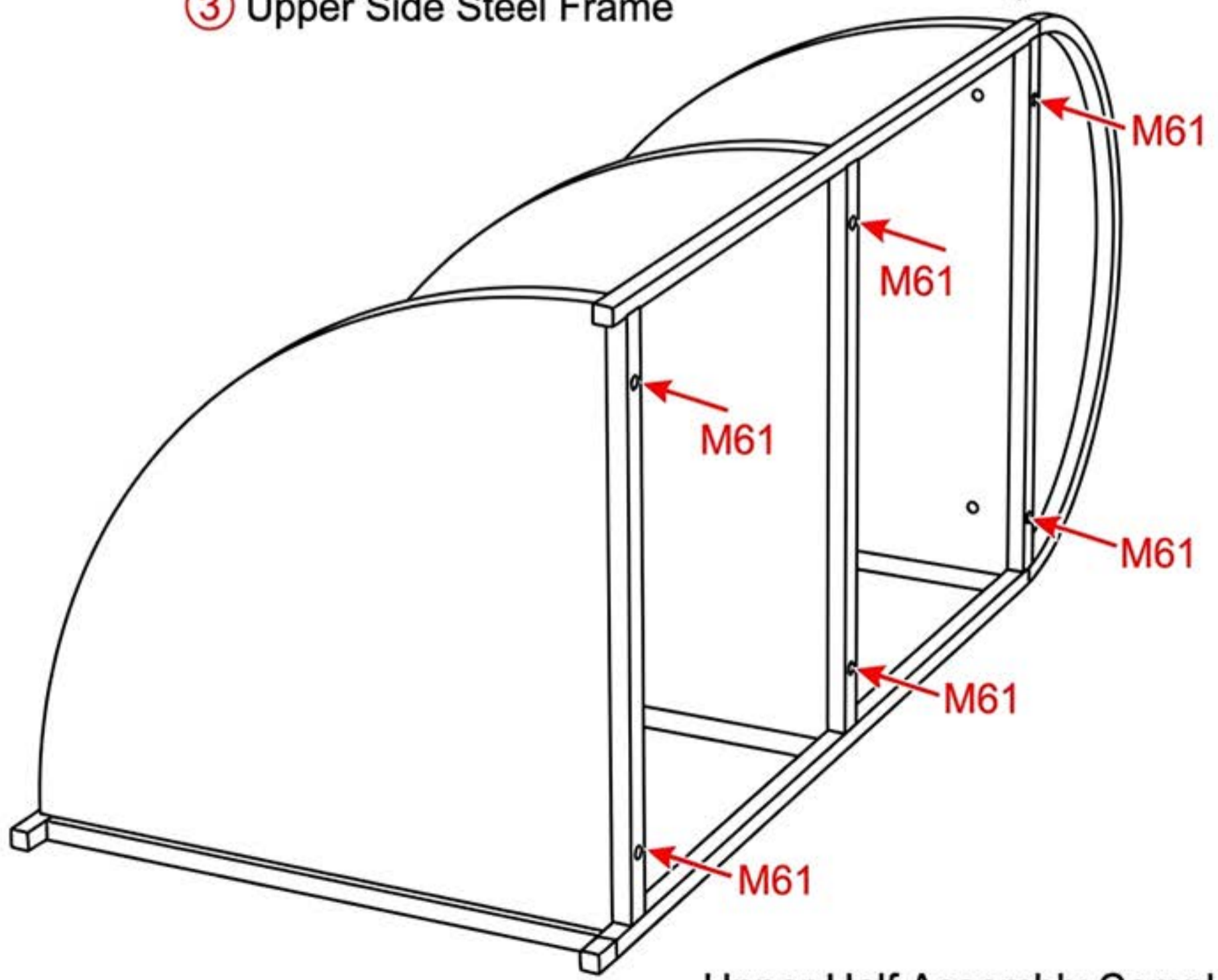
M6*40 Hex Socket Wood Screw (M61)



Qty: 6

Part 3 Steel Frame
Arc Facing Backward

③ Upper Side Steel Frame



Upper Half Assembly Complete

<2> Completed Unit

