

WCK019-104CM

Installation Instruction

Please read this instruction manual carefully before installation and use.

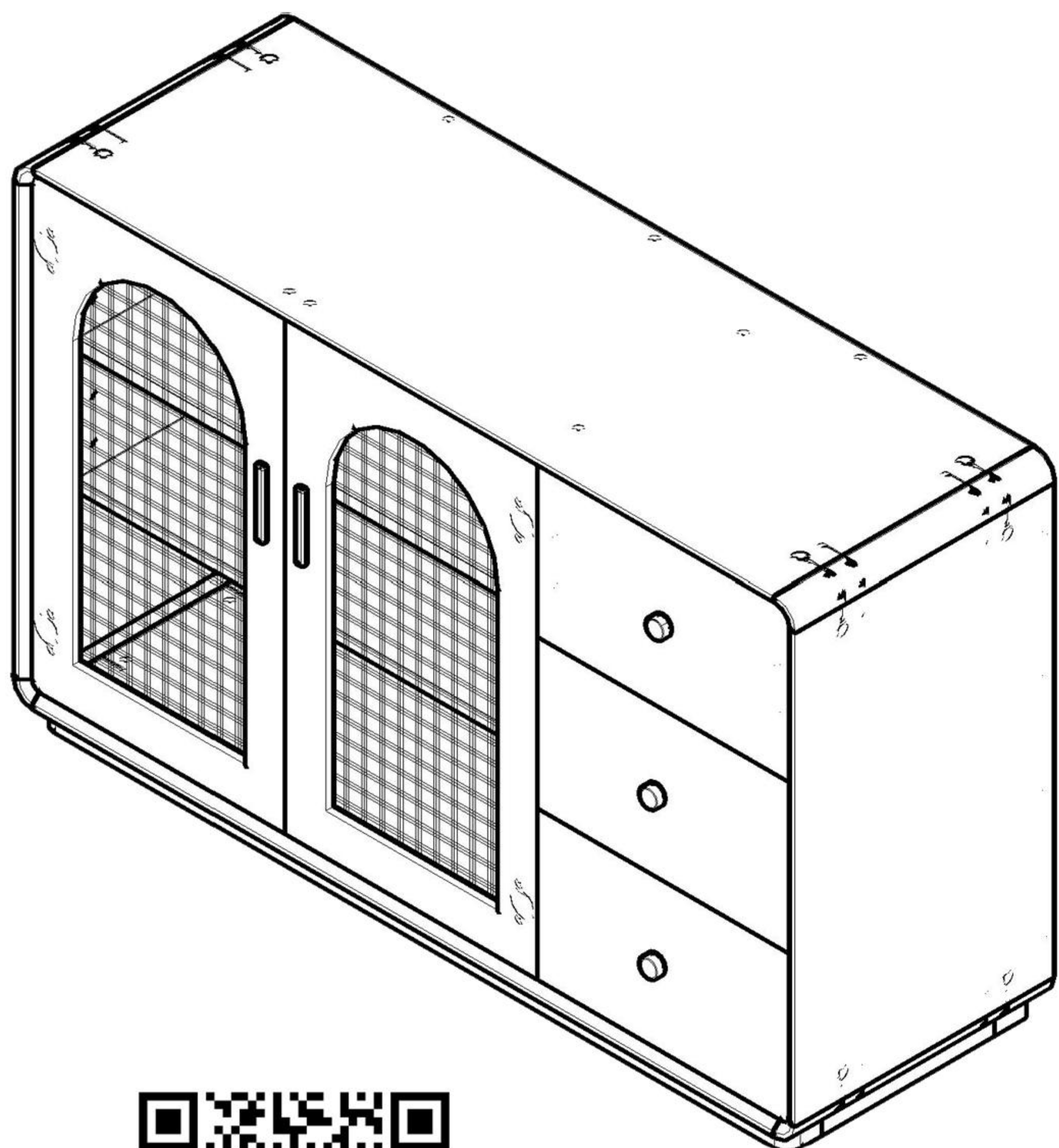
Assembly notes:

1. First, make sure that all panels and parts are not damaged or missing.
2. During the installation process, be careful not to bump or scratch the panel surface.
3. Please read the instructions carefully before installation and install in order.
4. Please use each screw accessory strictly according to the instructions.
5. The slide needs to be split into two parts when in use. For the splitting method, see the slide instructions.
6. Please keep the packaging box in case of any problems. You can check the product model and production batch number printed on the outside of the packaging box.

Precautions after assembly:

1. After installation, check whether all parts are installed and the locks are locked.
2. Check the overall stability of the cabinet to see if there is any vibration.
3. When using the lock, do not use excessive force to avoid damage to the lock. Just turn it clockwise until it cannot turn.

NOTE: ES001 - 3 Speed Portable Cordless Electric Screwdriver is highly recommended for installation.



Scan the code to purchase ES001



Hardware List

Accessory Appearance	Code	Dimensions	Numbers	Unit	Accessory Appearance	Code	Dimensions	Numbers	Unit
	A	∅15*12mm	32	Piece		K		2	Piece
	B	∅7*40mm	32	Piece		L	300*45mm	3	Pair
	C	∅3.5*12mm	24	Piece		M N		14	Piece
	D	∅6*40mm	3	Piece		O	∅4*20	5	Piece
	E	∅3.5*40mm	12	Piece		P	∅3.5*14mm	24	Piece
	F	∅8*40mm	16	Piece		Q		2	Piece
	G	∅6*20mm	8	Piece		R	∅7*38	2	Piece
	H	∅6*35mm	8	Piece		S		2	Piece
	I		8	Piece		U		2	Piece
	J		3	Piece					

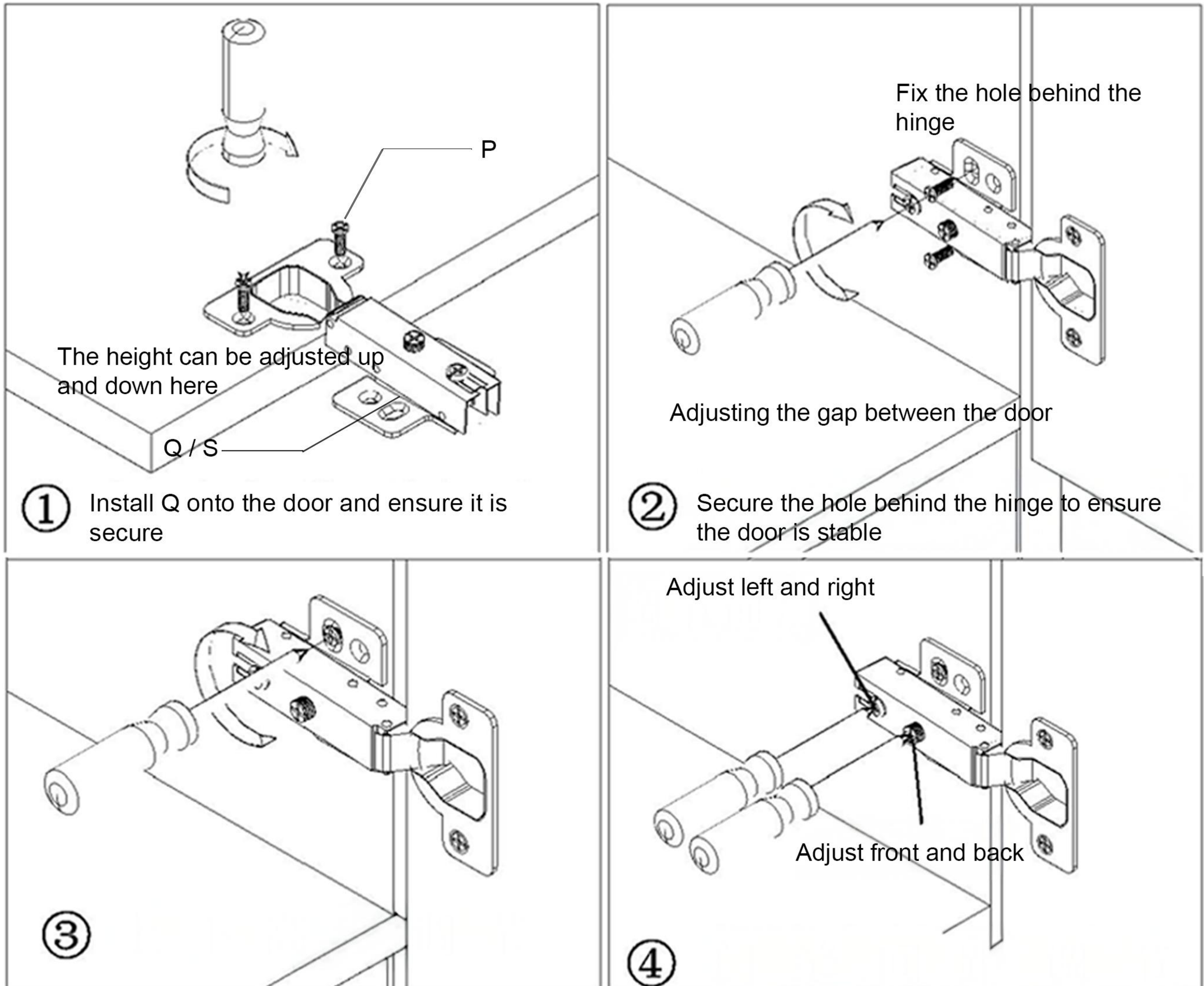
BoardMaterial List

Code	Dimensions(mm)	No.	Code	Dimensions(mm)	No.
①	999*399.5*15	1	⑧	401*30*30	4
②	999*399.5*15	1	⑨	340*689.5*15	2
③	1028*346.5*12	2	⑩	340*228.5*15	3
④	664.5*399.5*15	2	⑪	300*145*15	6
⑤	693.5*354*15	1	⑫	280.5*145*15	3
⑥	1005*50*30	2	⑬	292.5*294*8	3
⑦	268*50*30	2	⑭	676*300*15	2

Detailed description of the main components, please read carefully

Q / S (Hinge) Installation Instructions

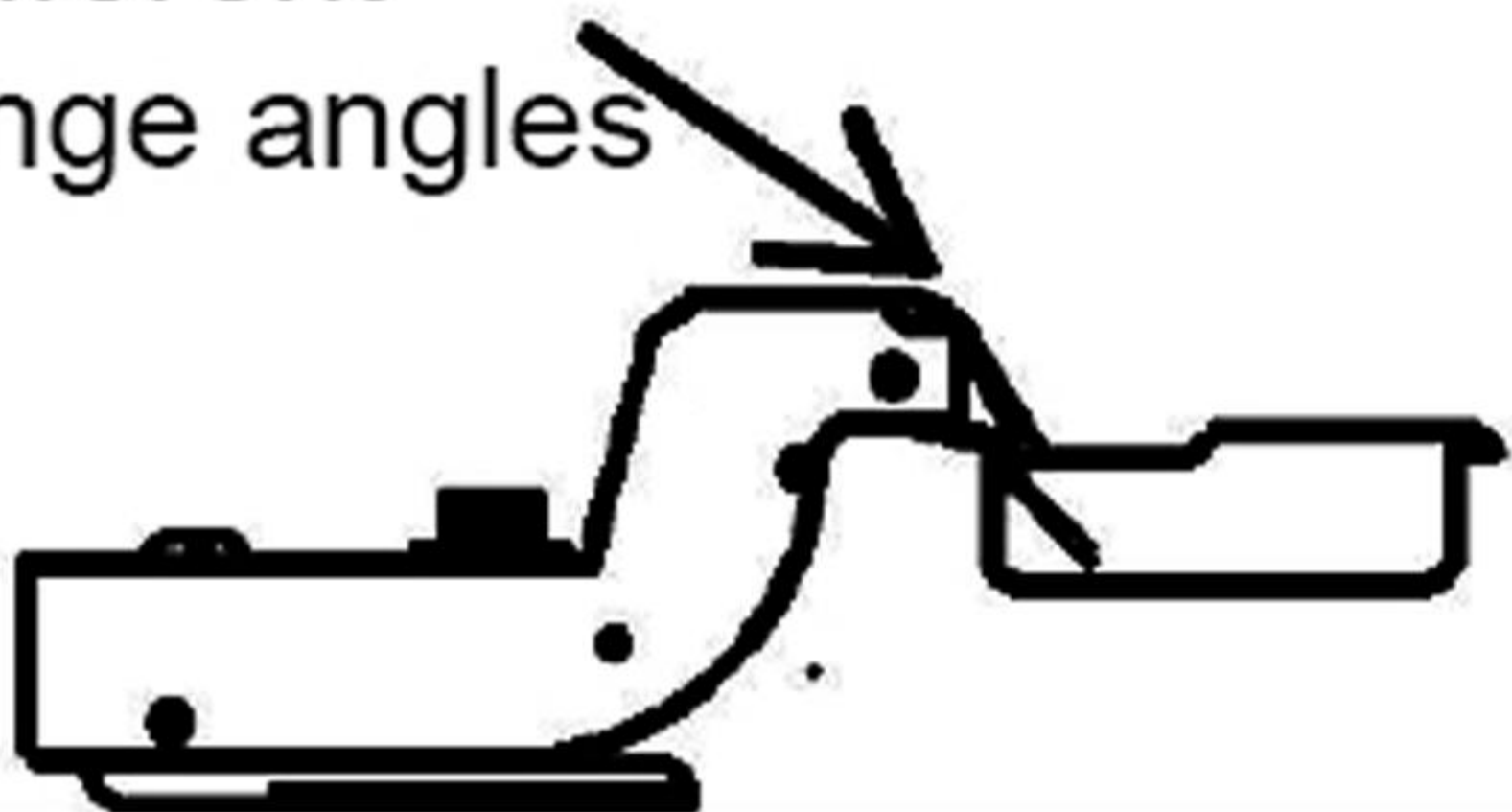
Install the hinge with screw **P**



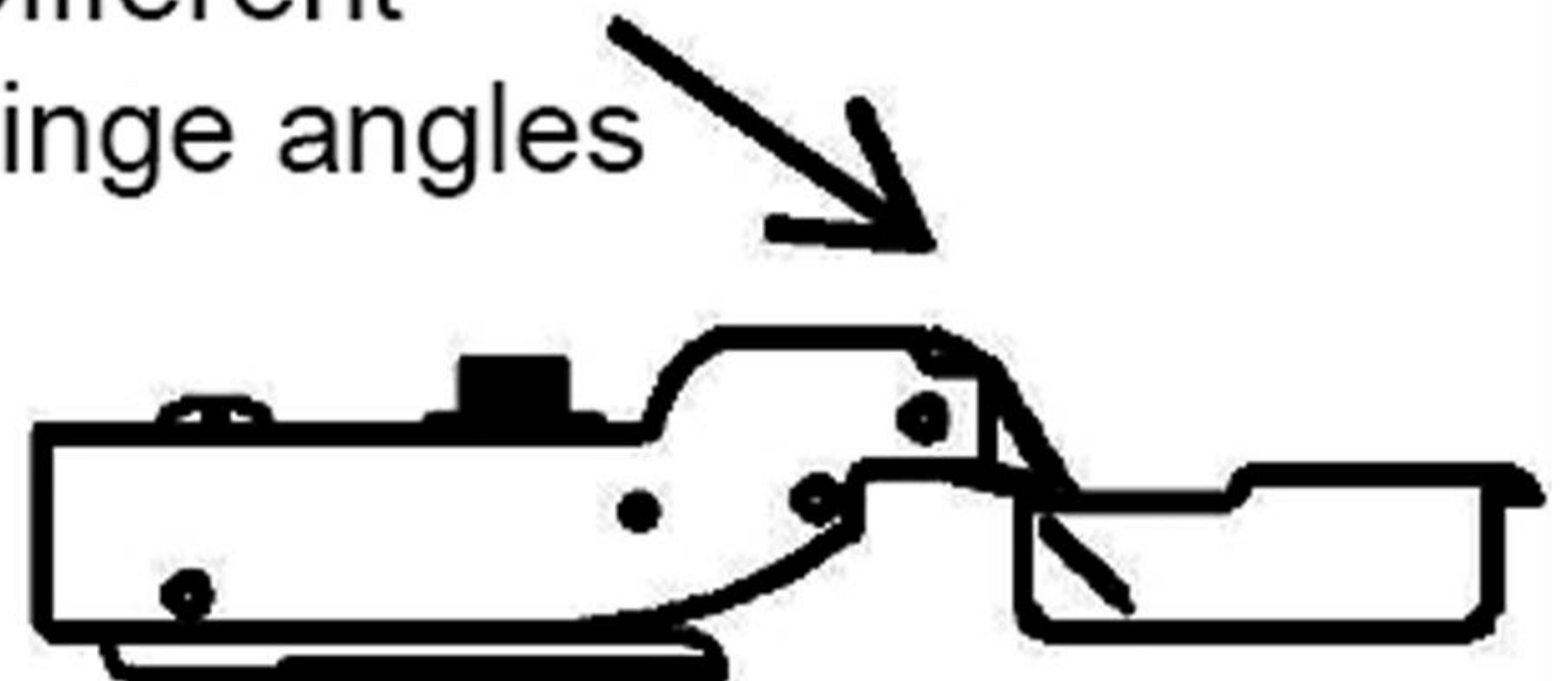
Q - Full Overlay Hinge

S - Half Overlay Hinge

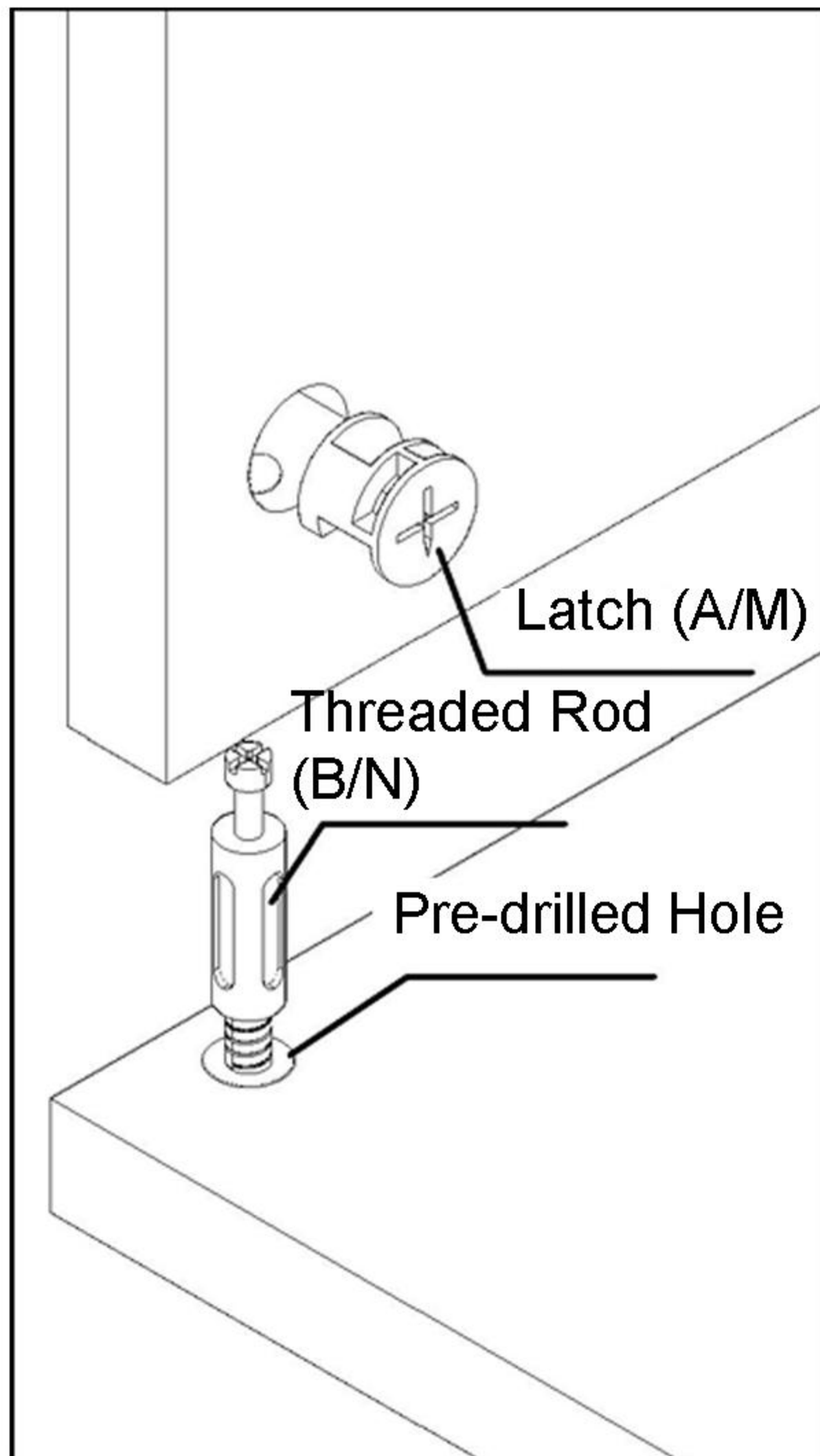
Different hinge angles



Different hinge angles



Installation Guide: Threaded Rod, Latch, Pre-drilled Hole

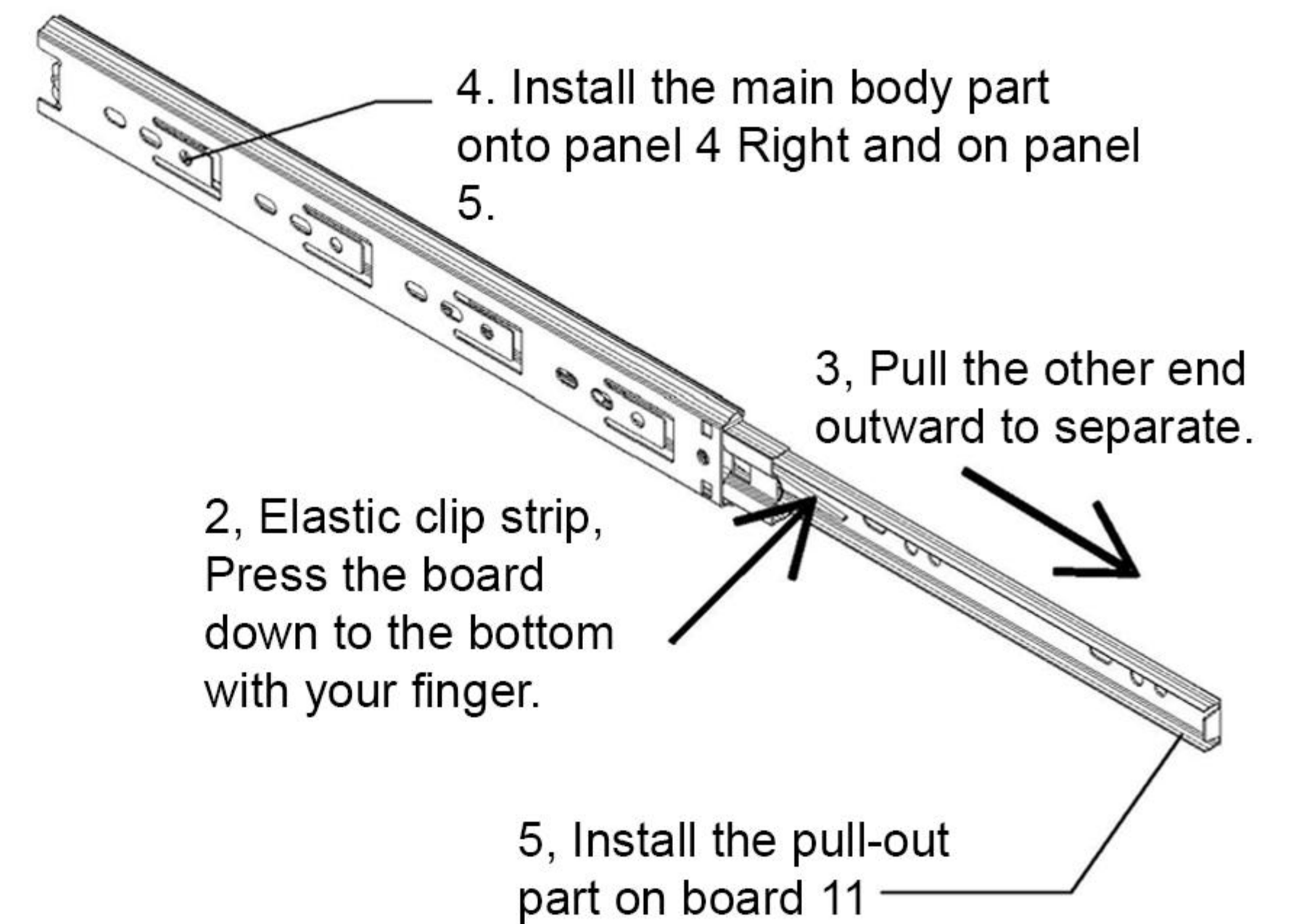


1. Screw the B/N (Threaded Rod) into the Pre-drilled Hole
2. Insert the installed B/N into the corresponding hole of the other piece. Press A/M (Latch) into the hole. Note that the cross arrow corresponds to the insertion direction of the Threaded Rod.
3. Use a cross screwdriver to tighten Latch clockwise. Be careful not to use excessive force.

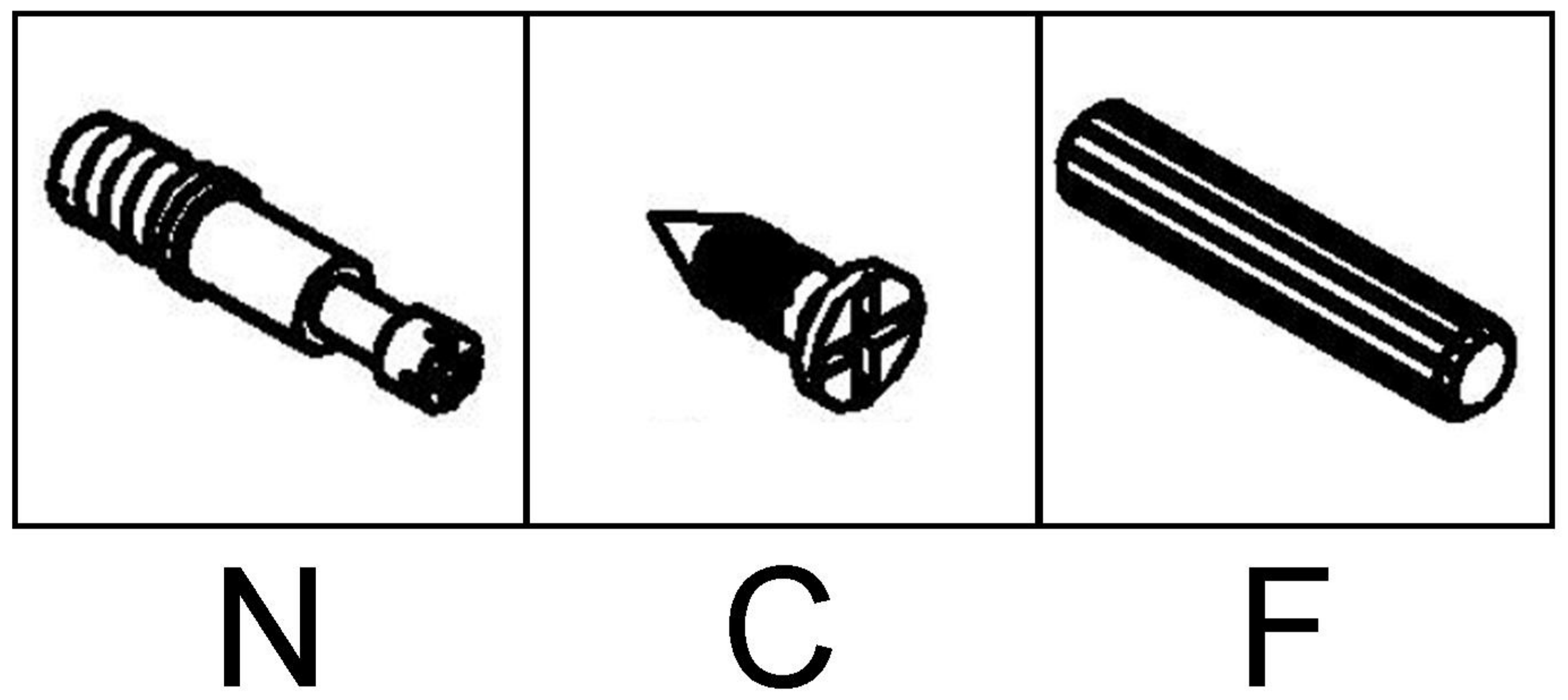
L (Sliding Rail) Installation Instructions

When installing L, use with screw C

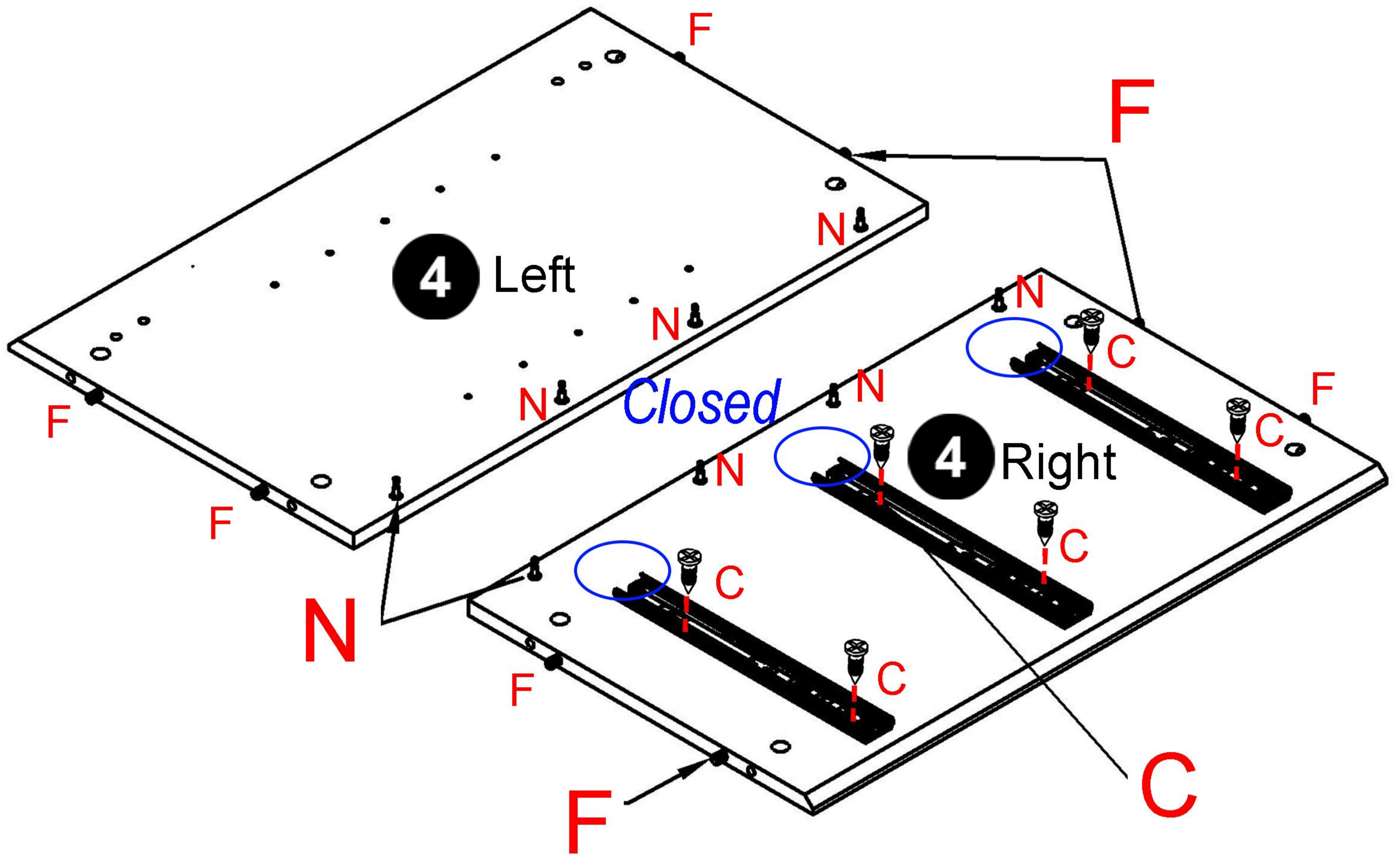
1, Separate L (Sliding Rail)



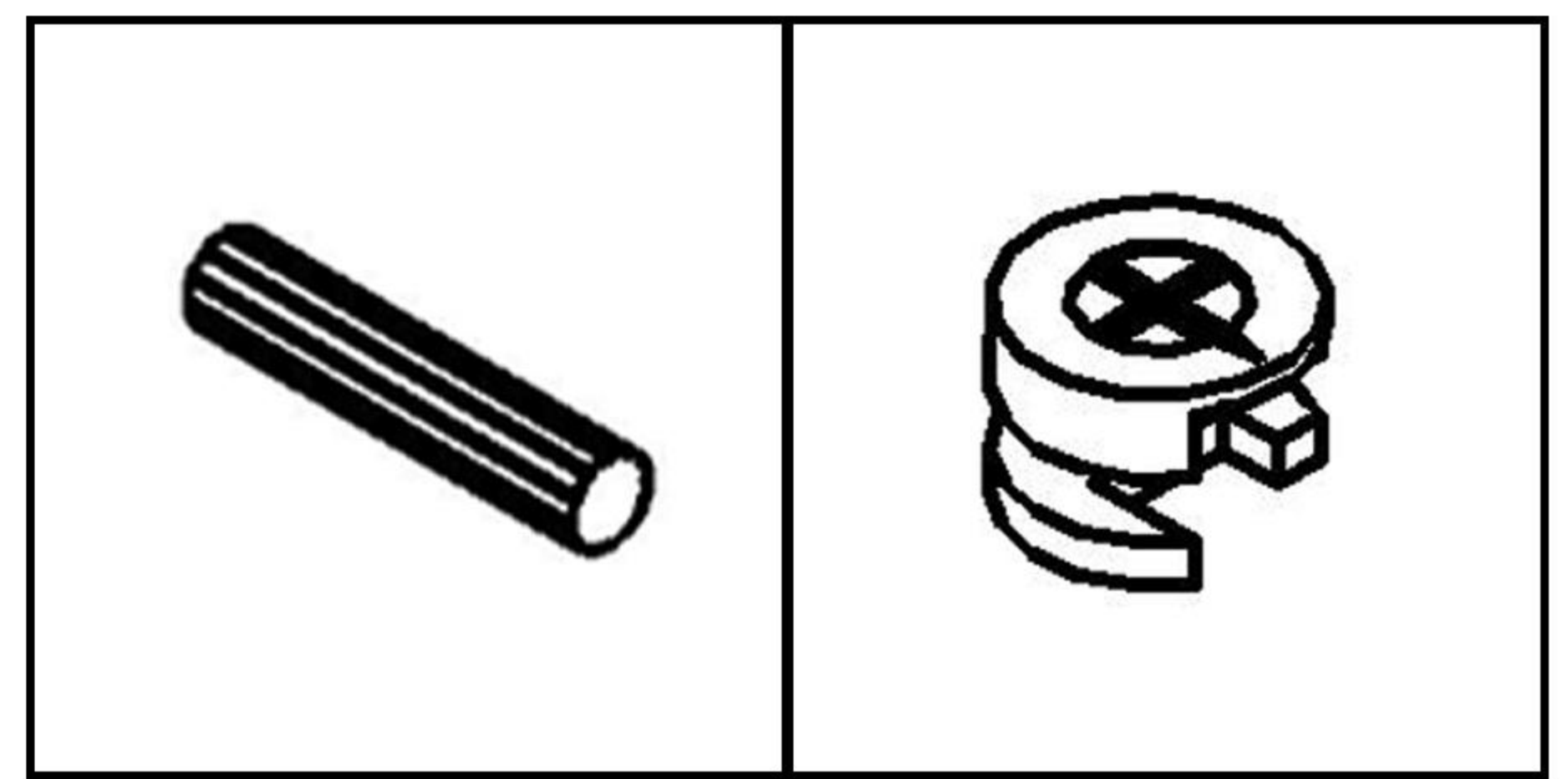
Step 1:



L The main body part x 3

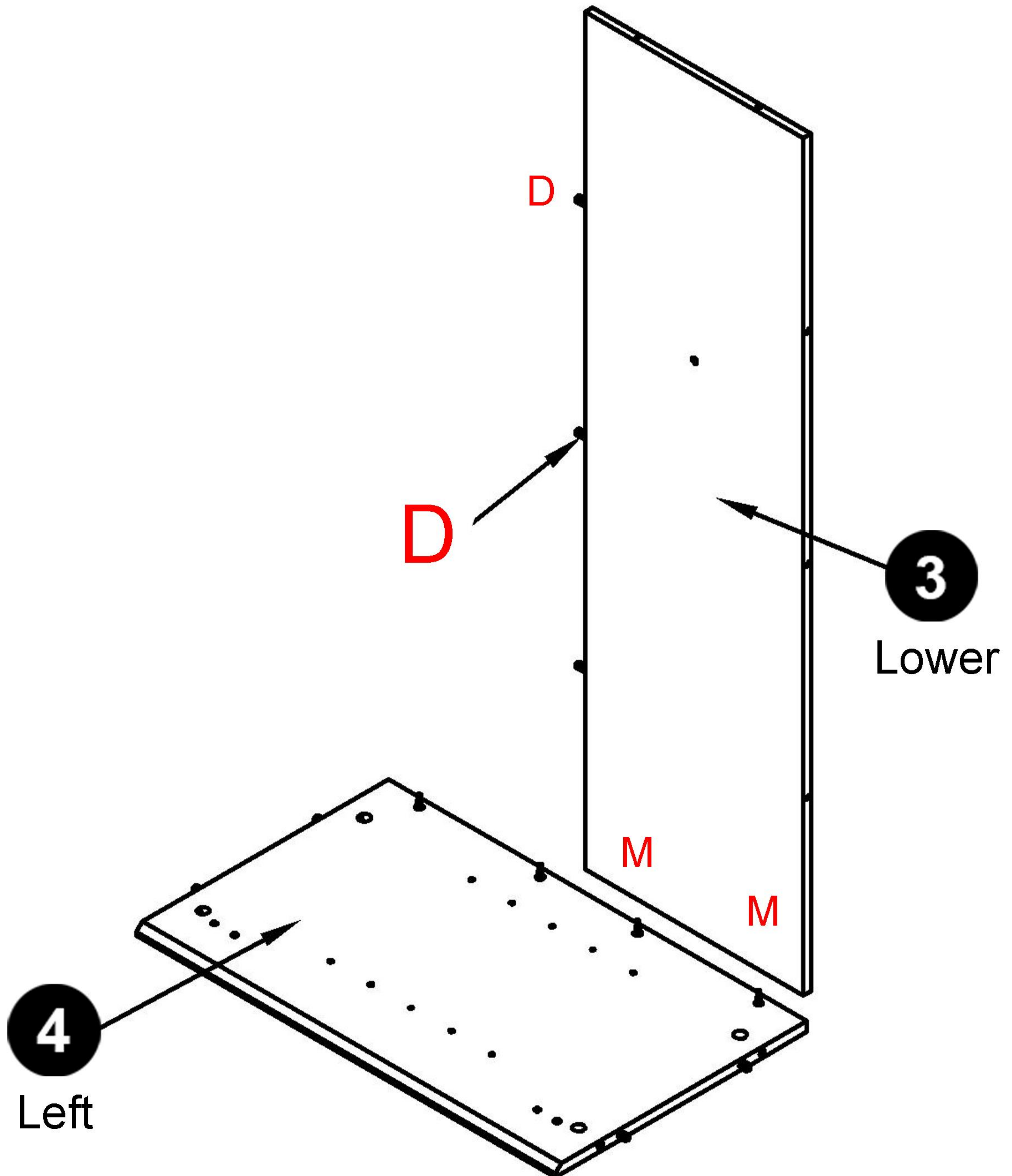


Step 2:



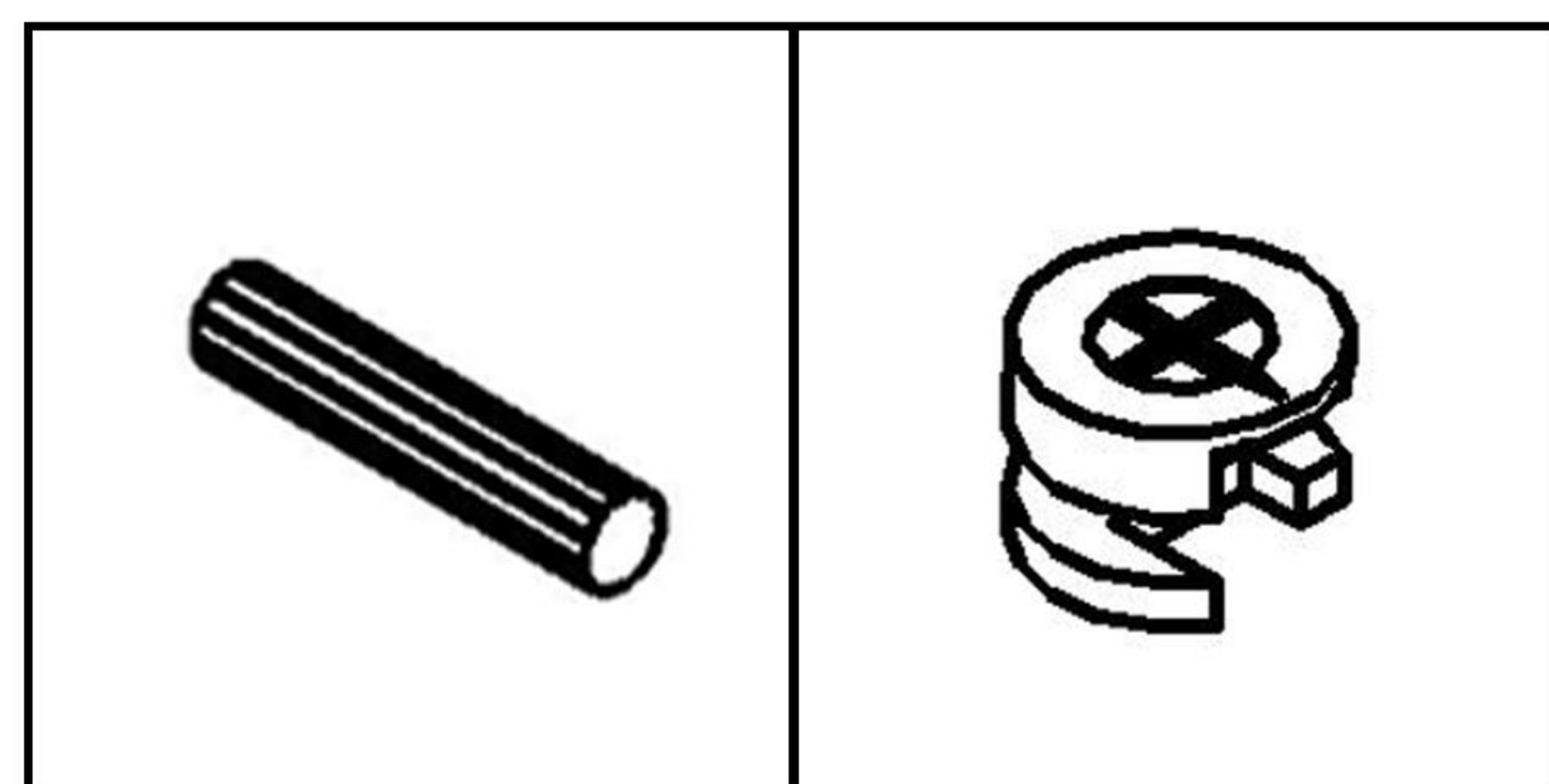
D

M



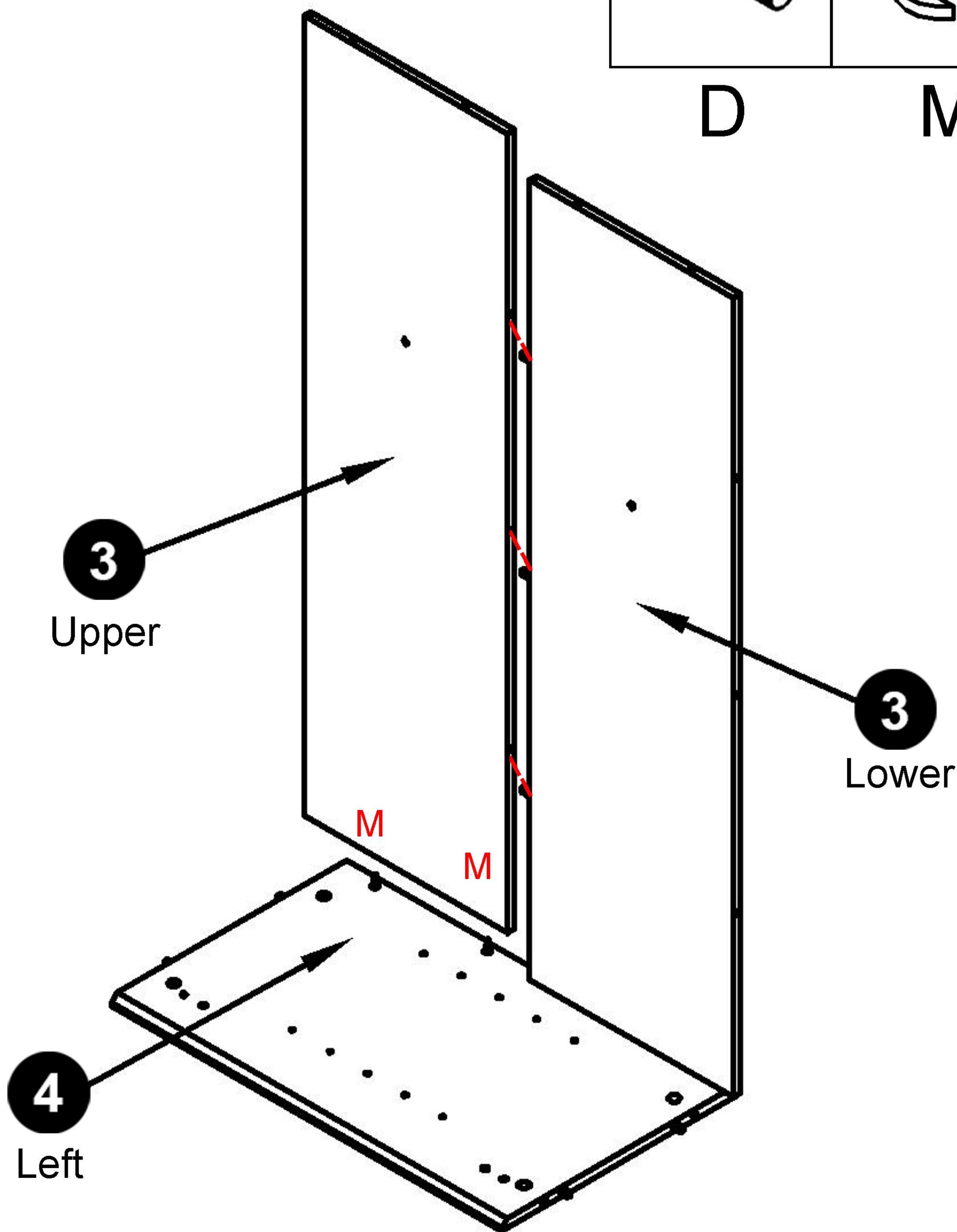
Secure with M. For detailed instructions, refer to the previous section: Instructions for using eccentric bolts.

Step 3:



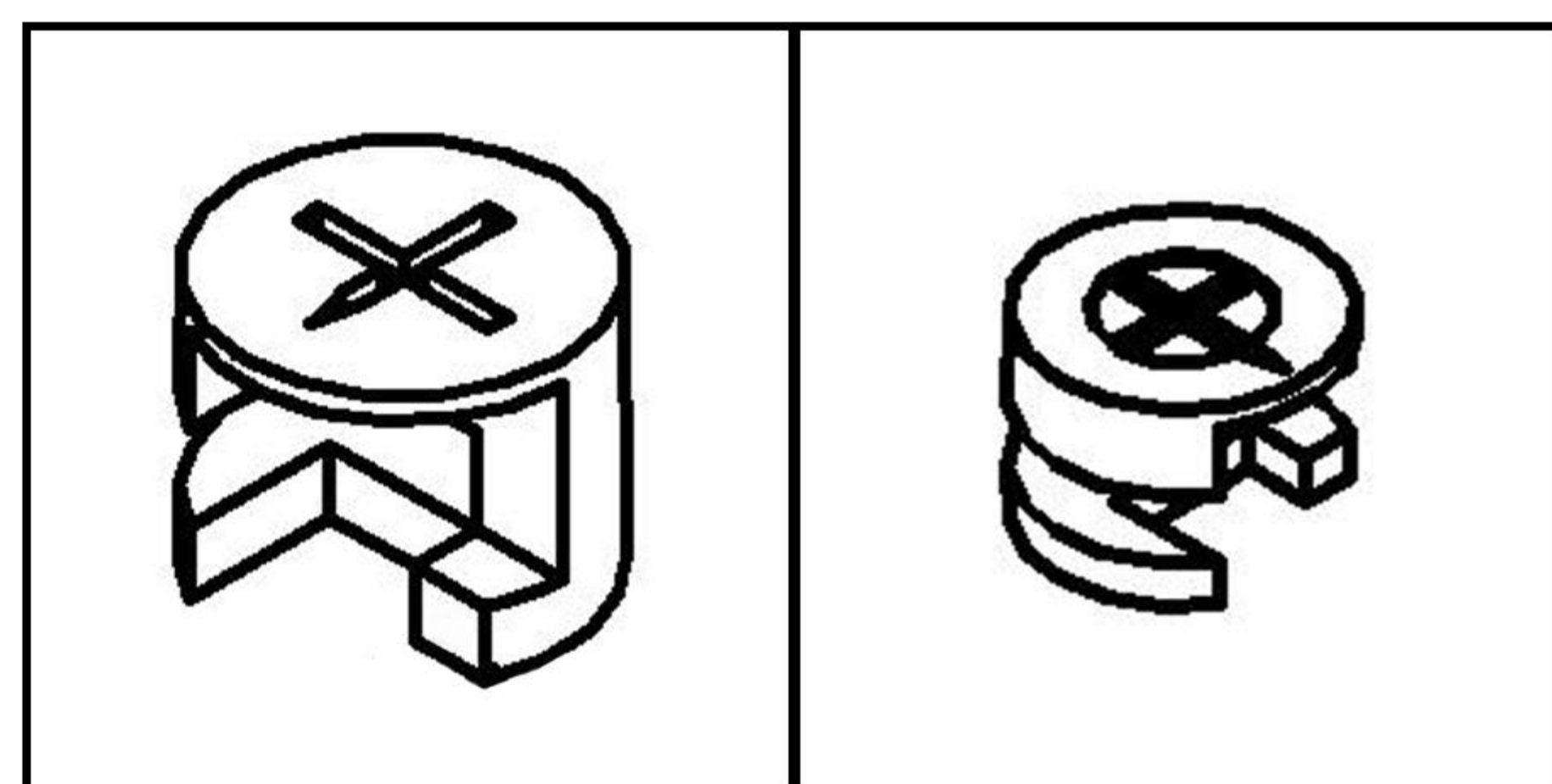
D

M



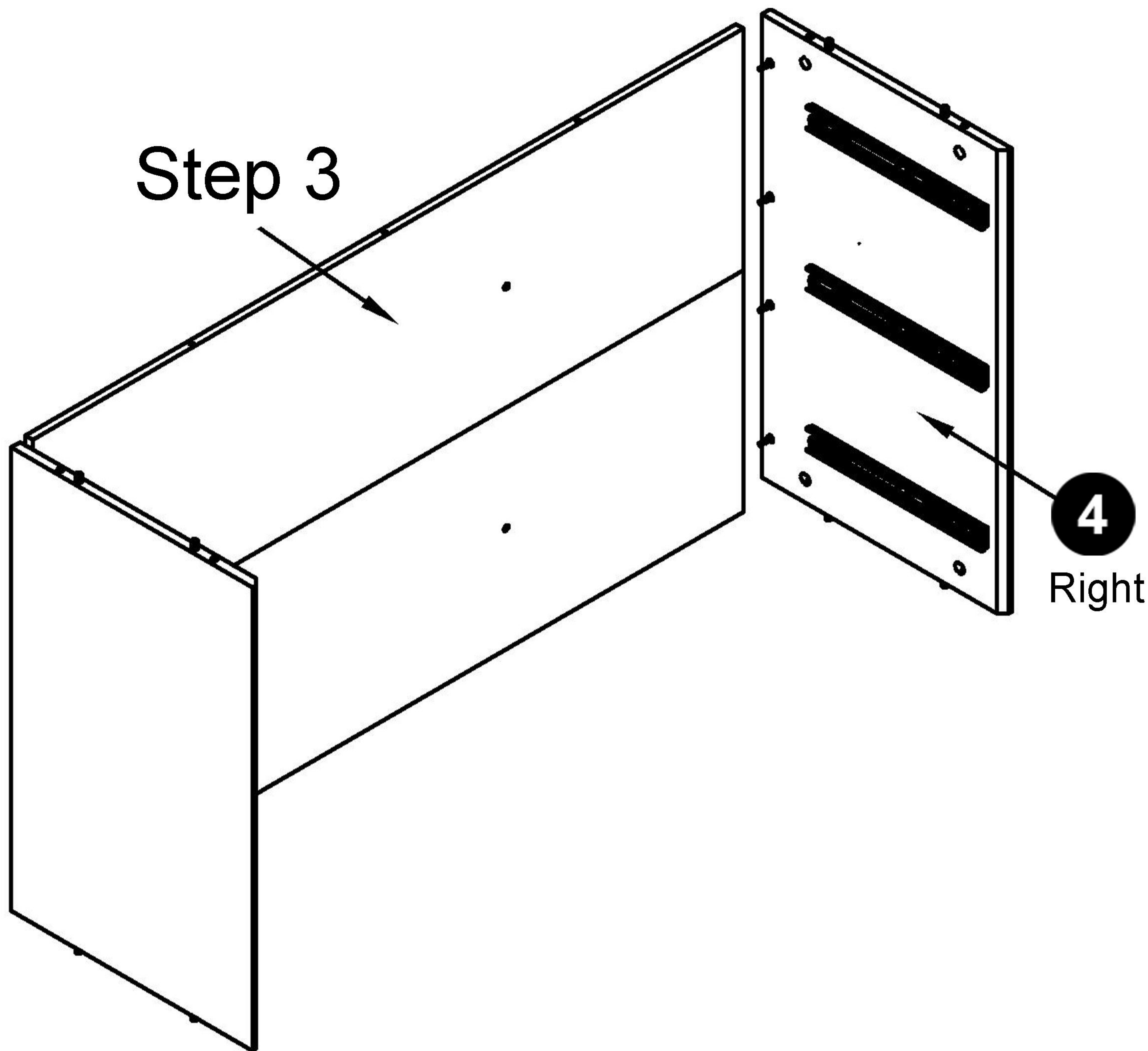
Secure with M.

Step 4:



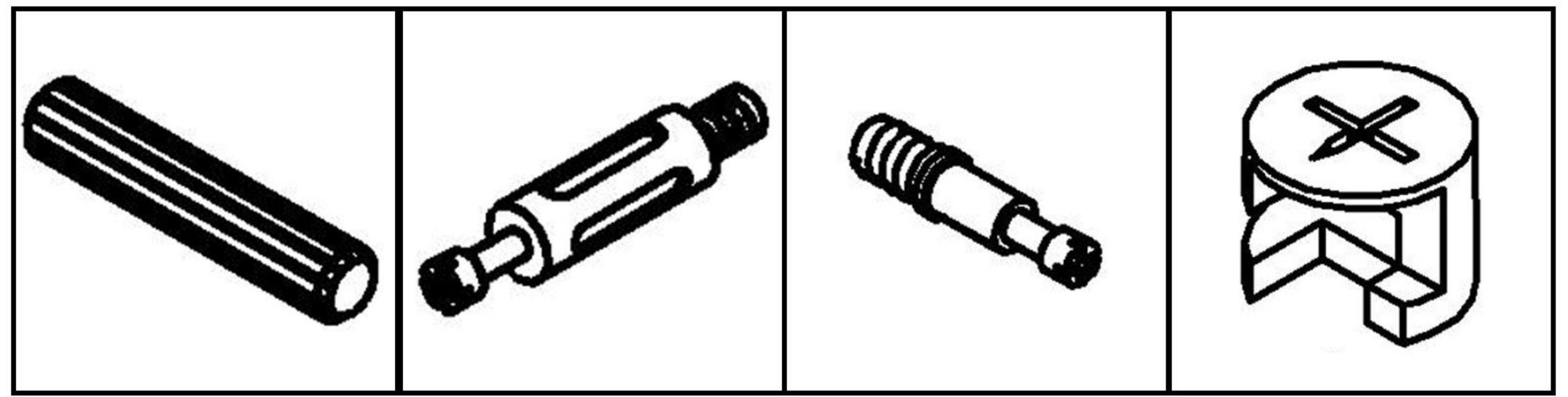
A

M



Secure with A and M.

Step 5:

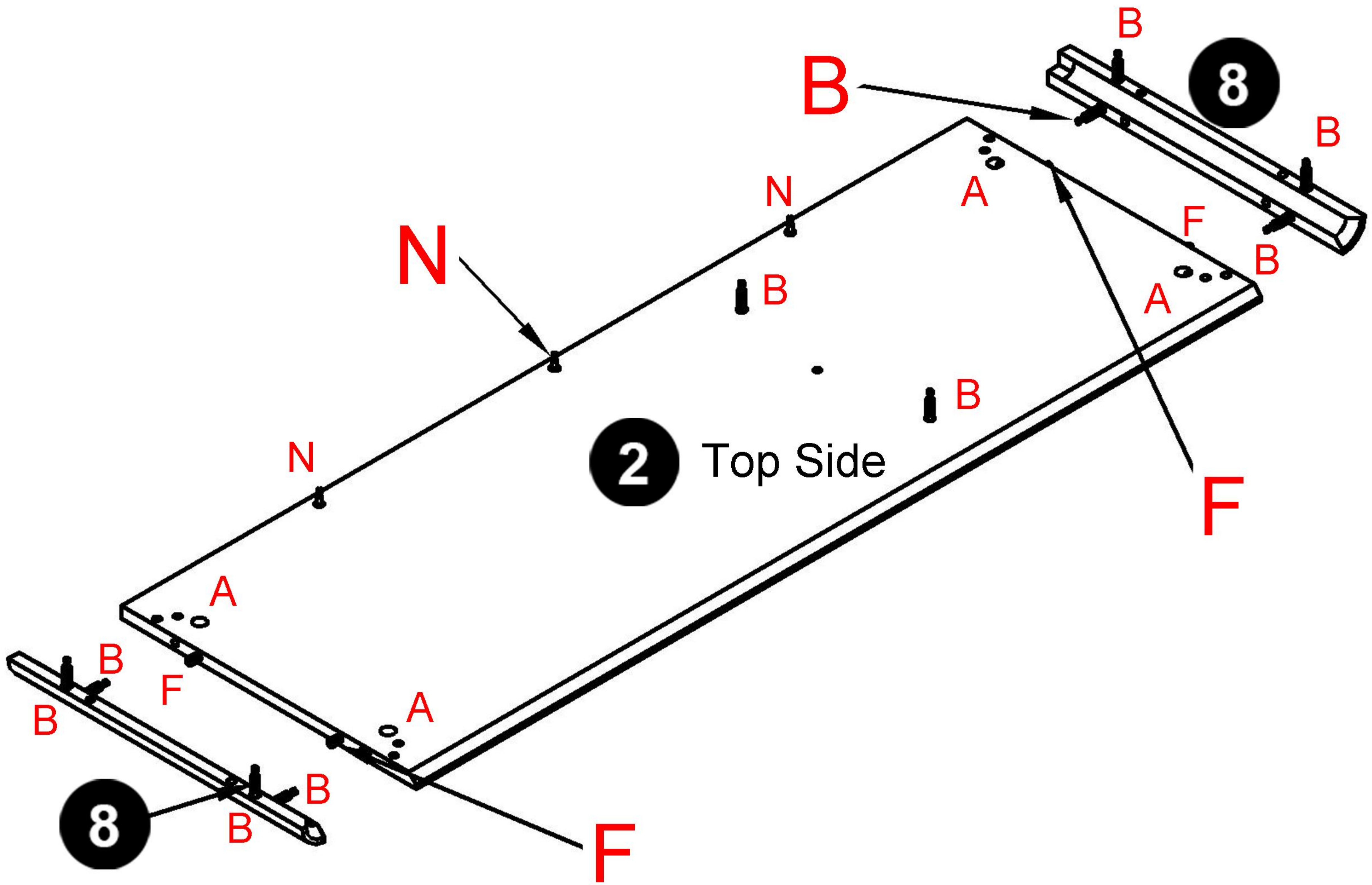


F

B

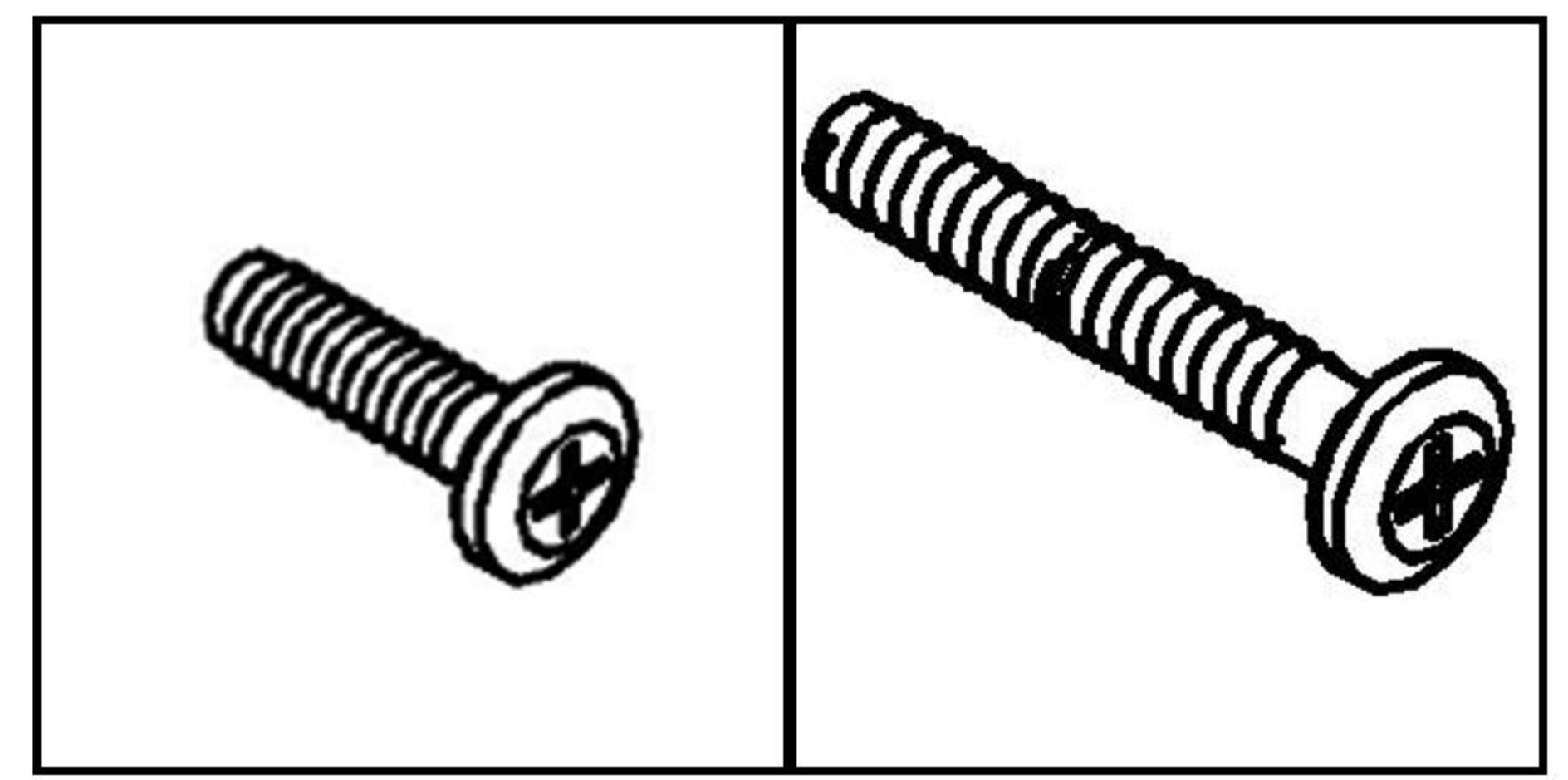
N

A



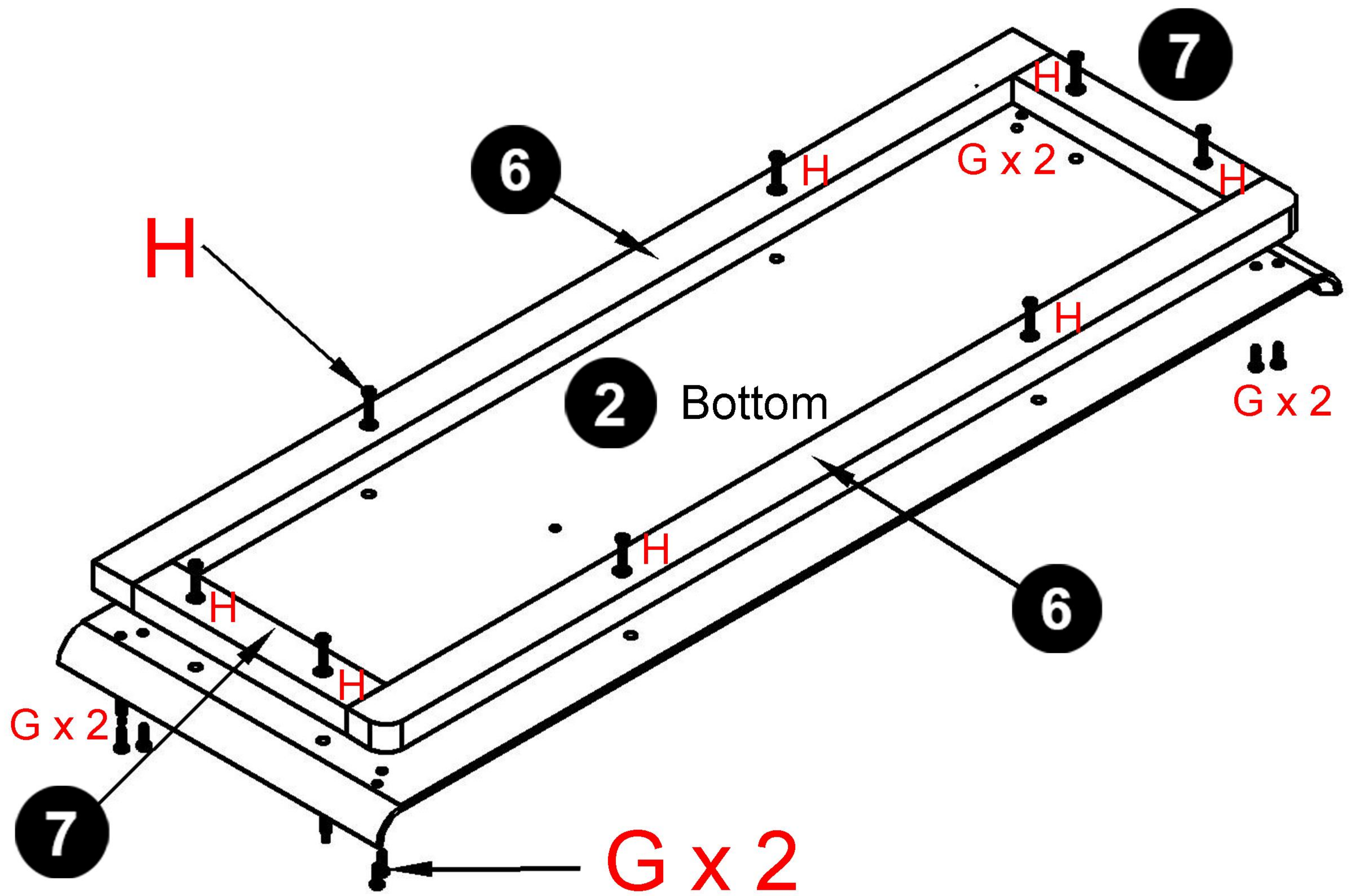
Secure with A.

Step 6:



G

H



6

7

H

2

Bottom

G x 2

G x 2

6

G x 2

G x 2

7

H

H

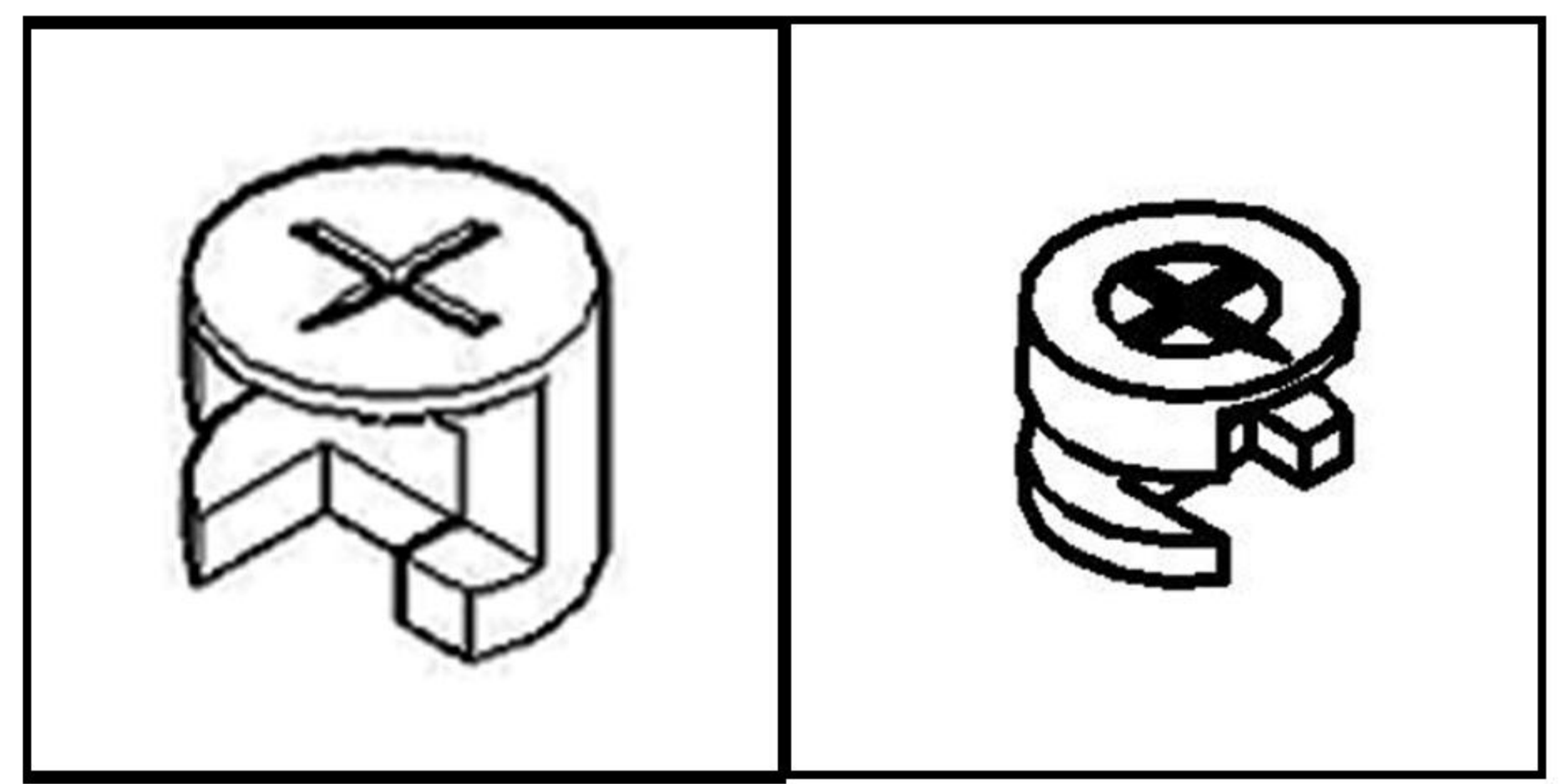
H

H

H

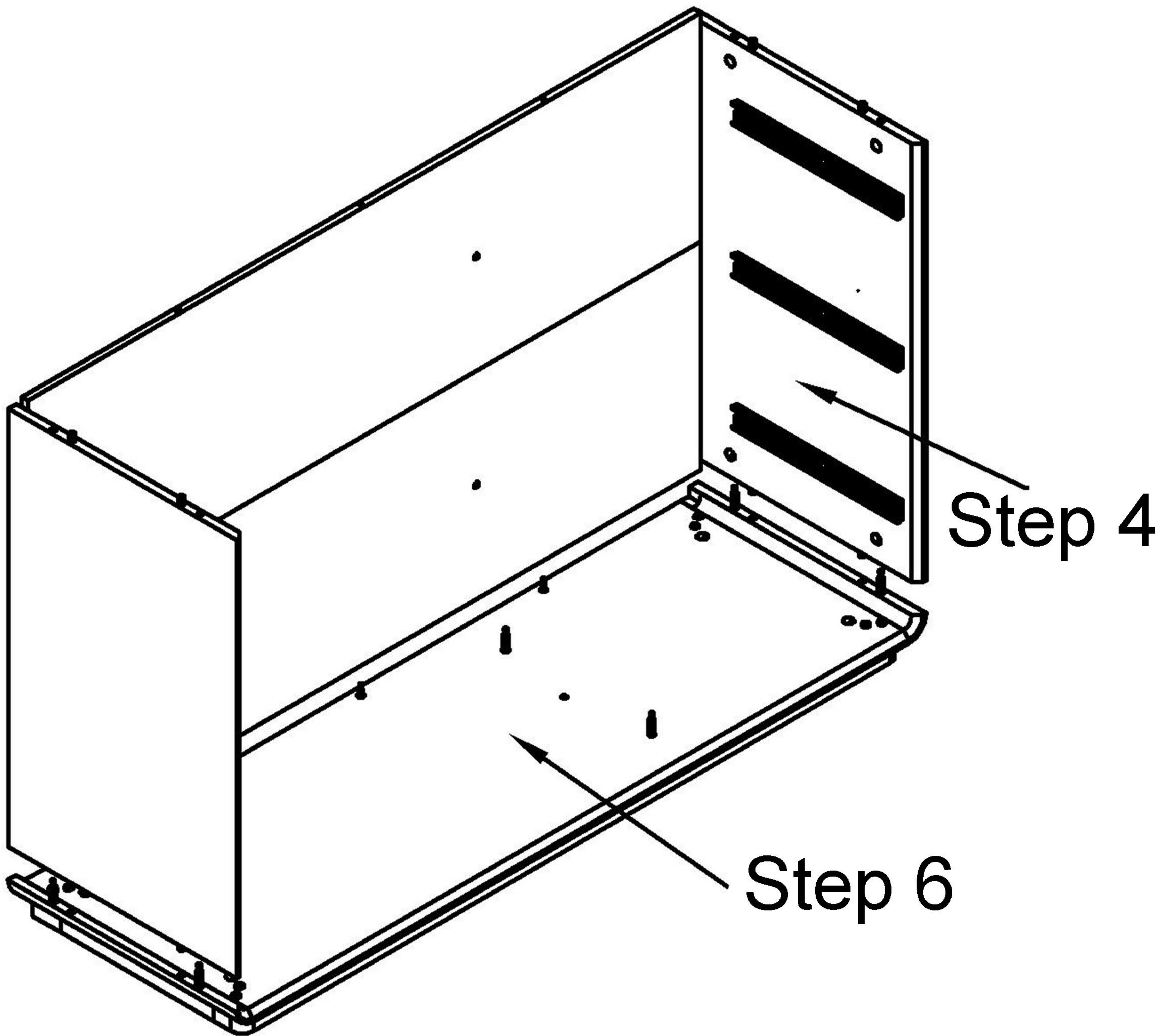
H

Step 7:



A

M



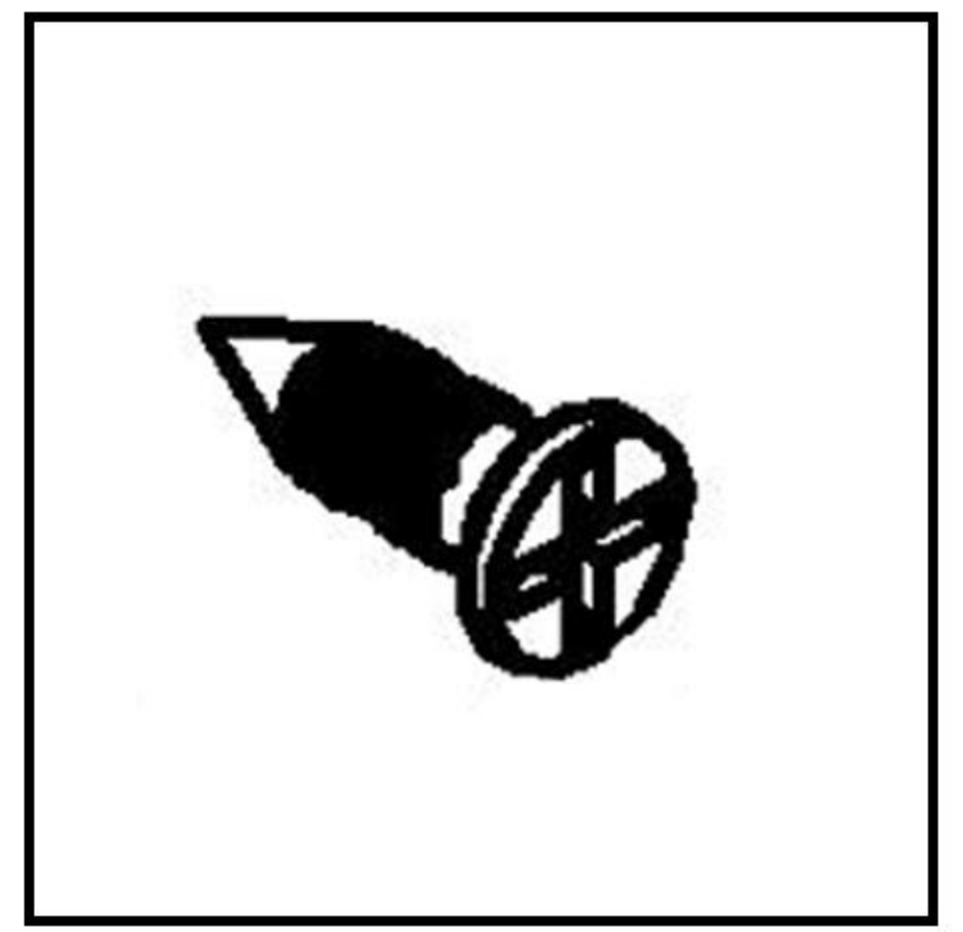
Step 4

Step 6

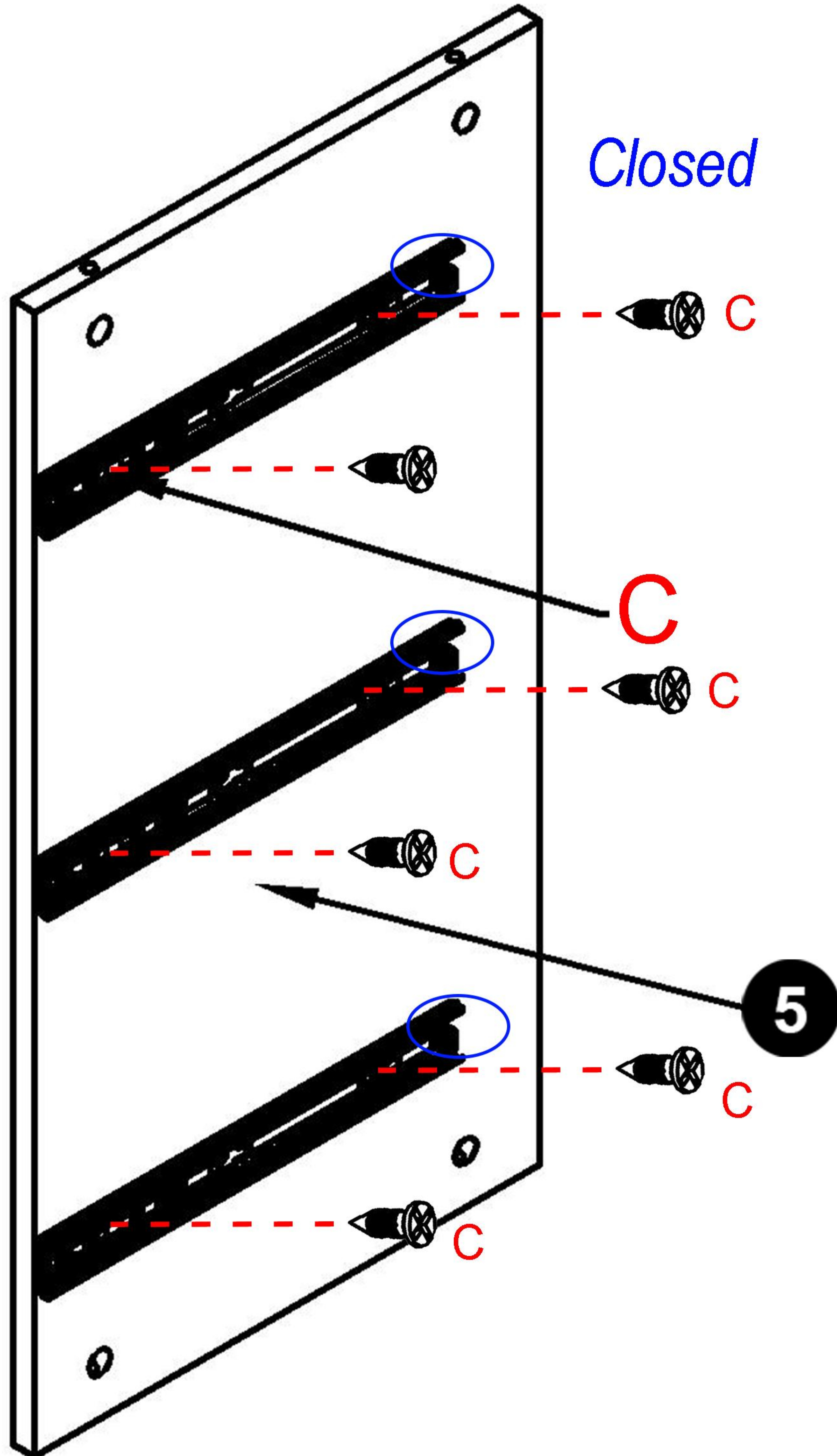
Secure with A and M.

Step 8:

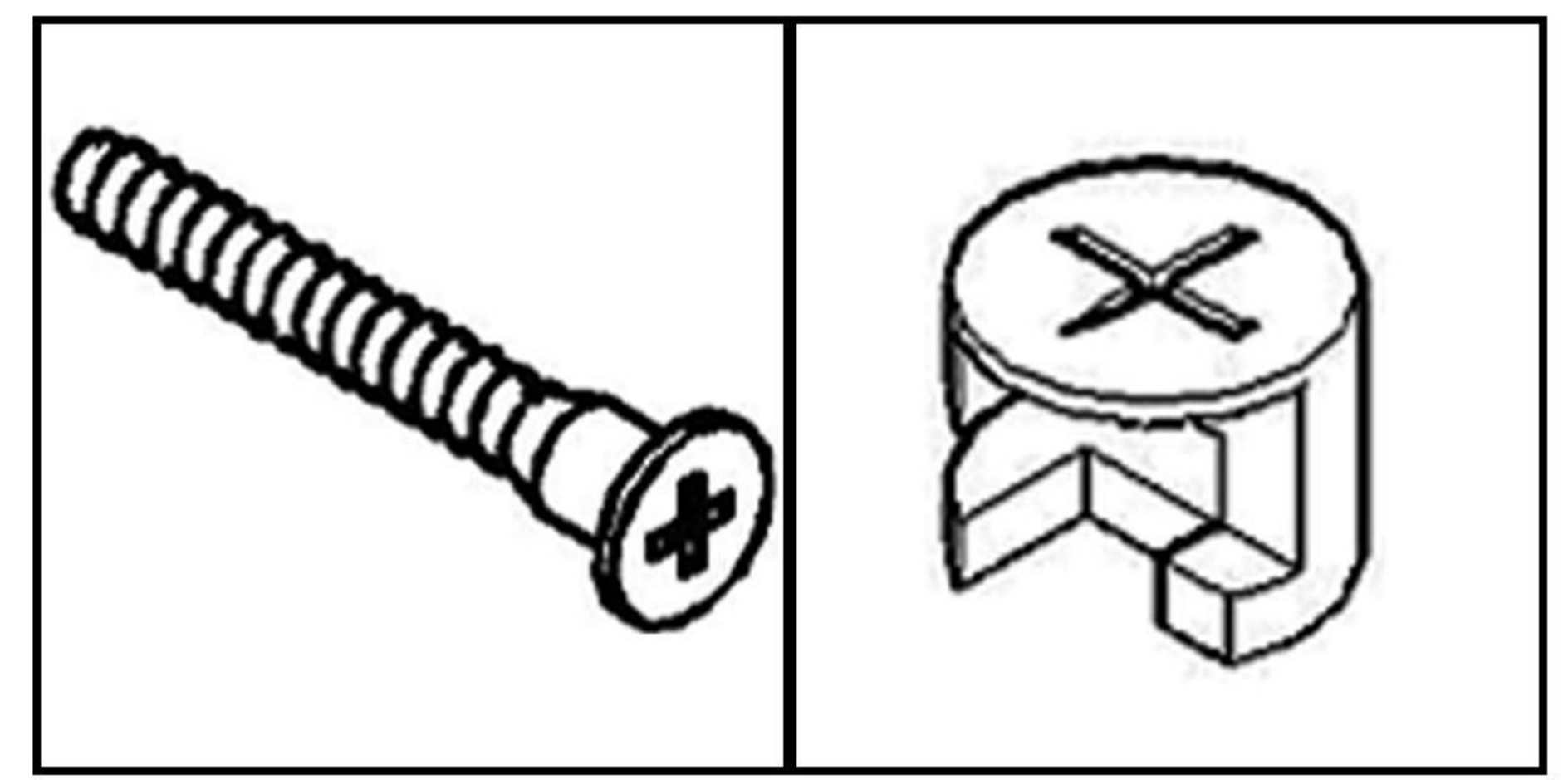
L The main body part x 3



C

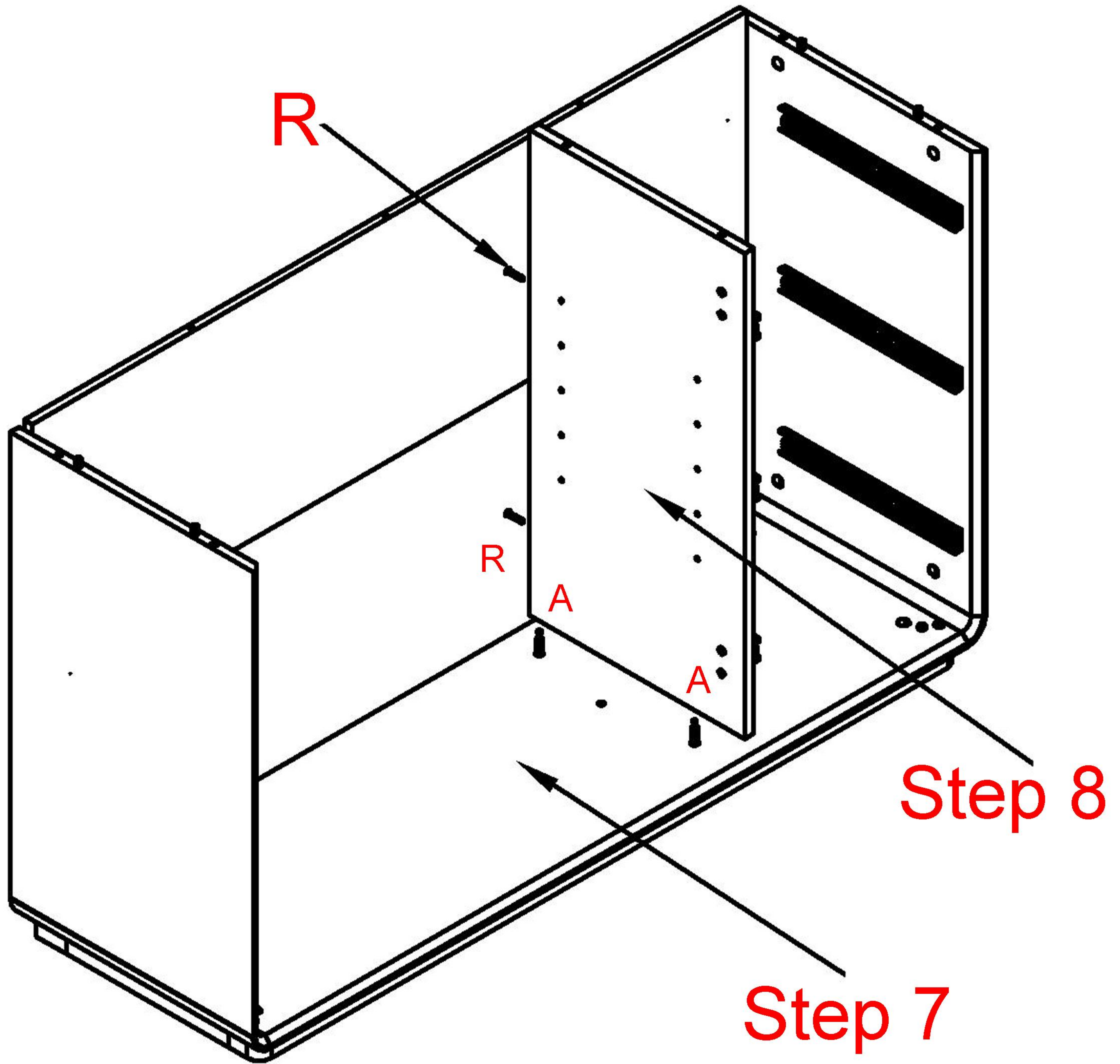


Step 9:



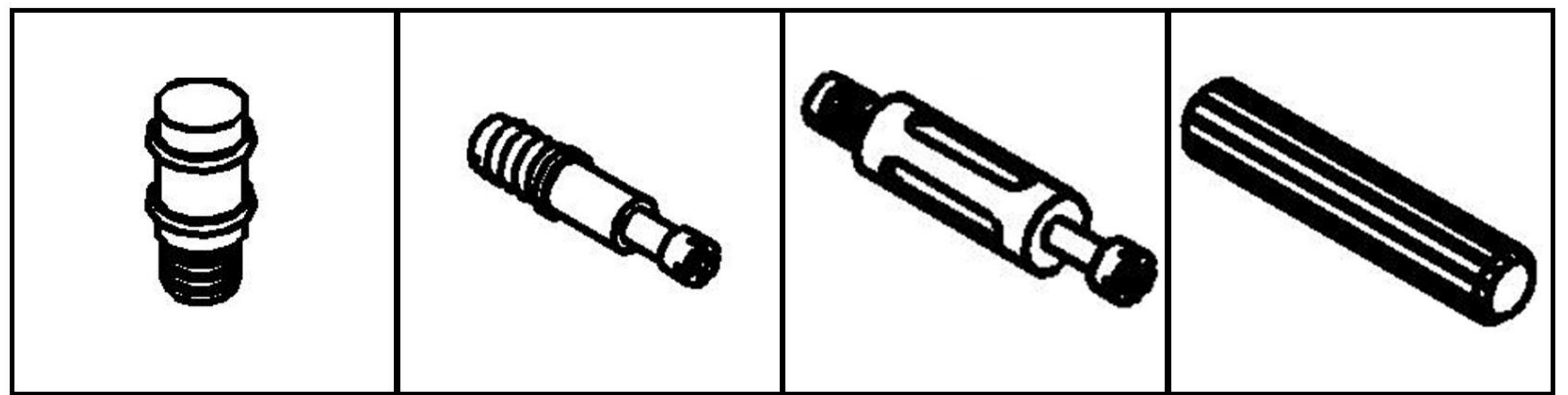
R

A



Secure with A.

Step 10:

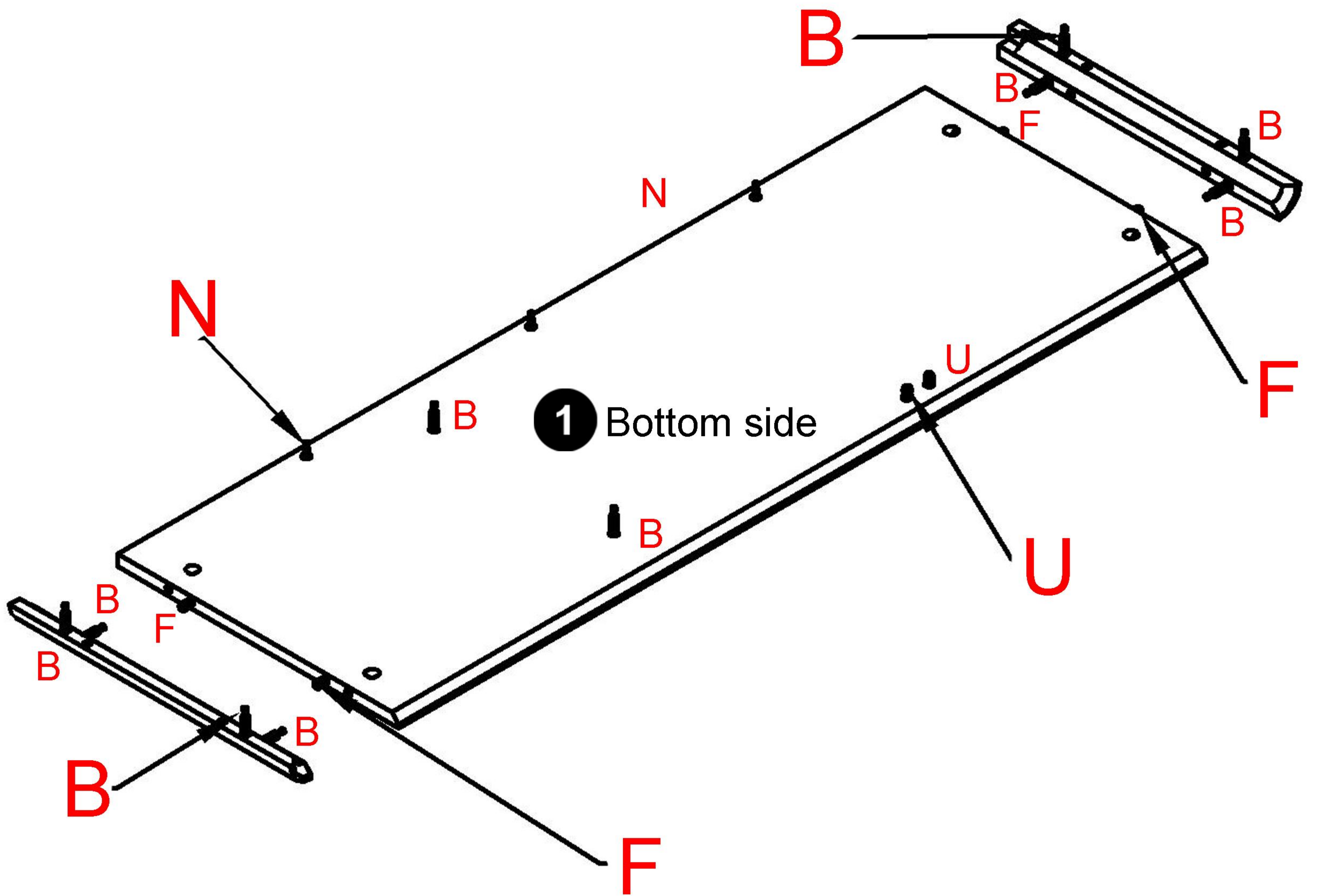


U

N

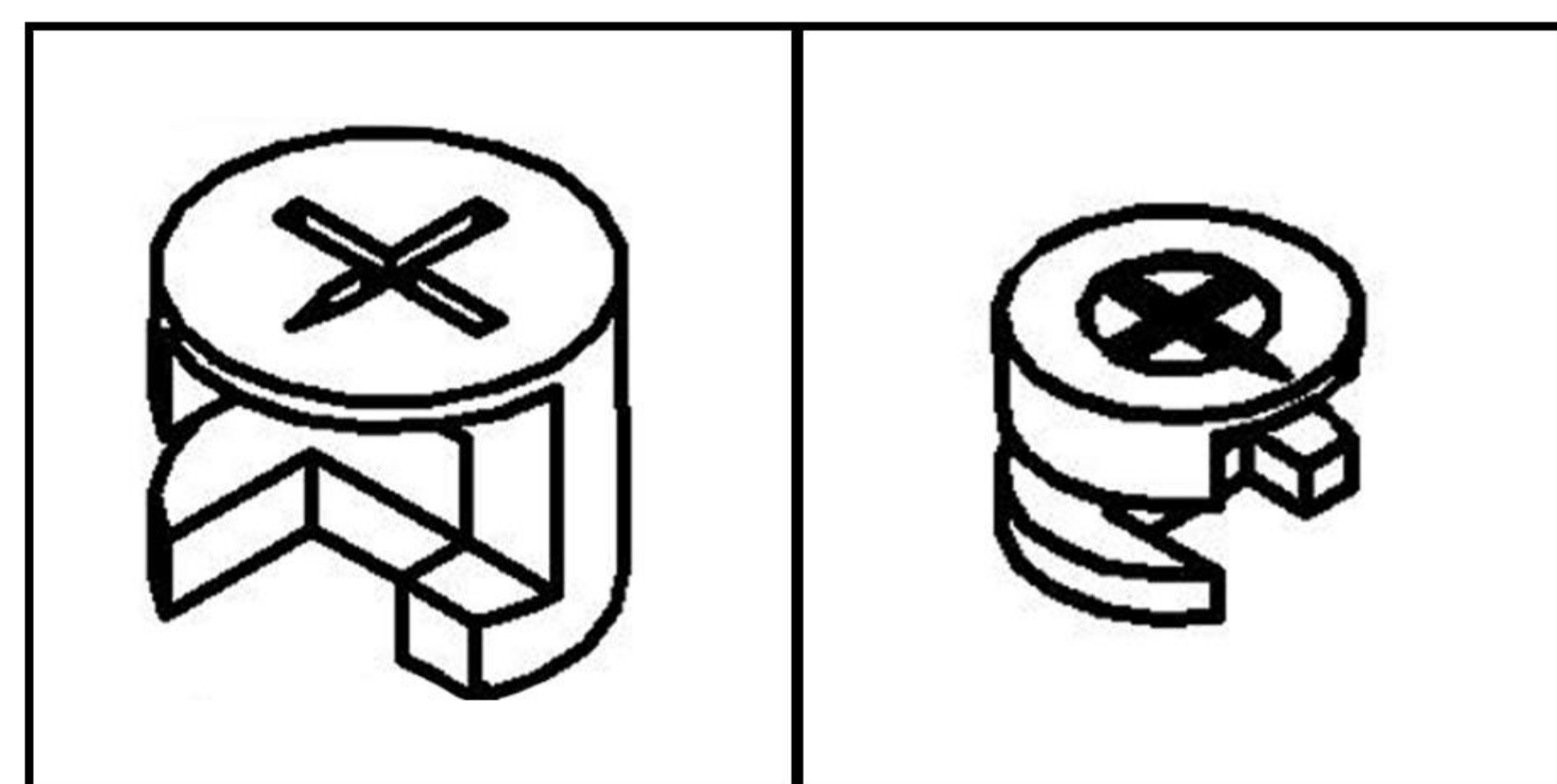
B

F



Secure with A.

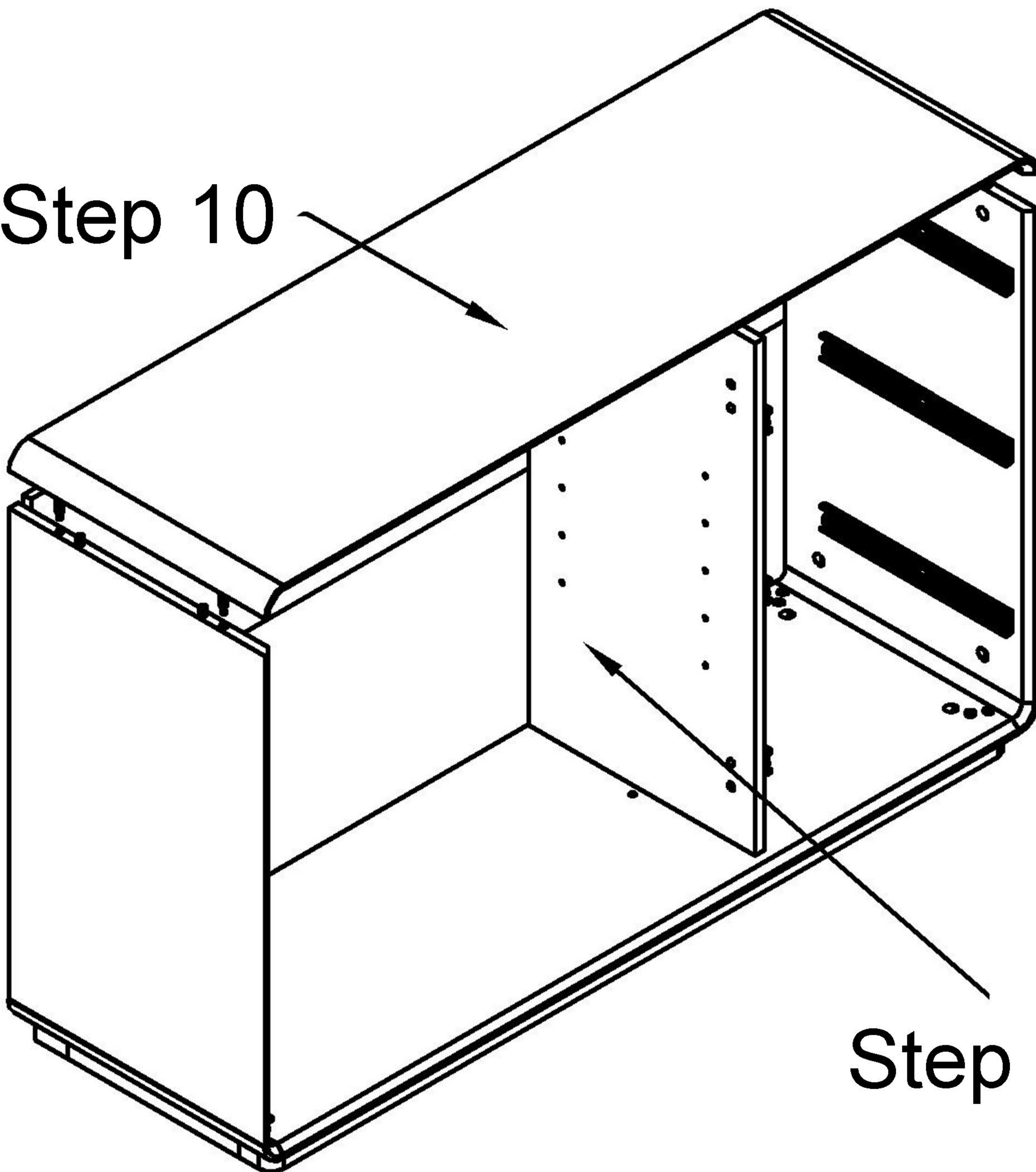
Step 11:



A

M

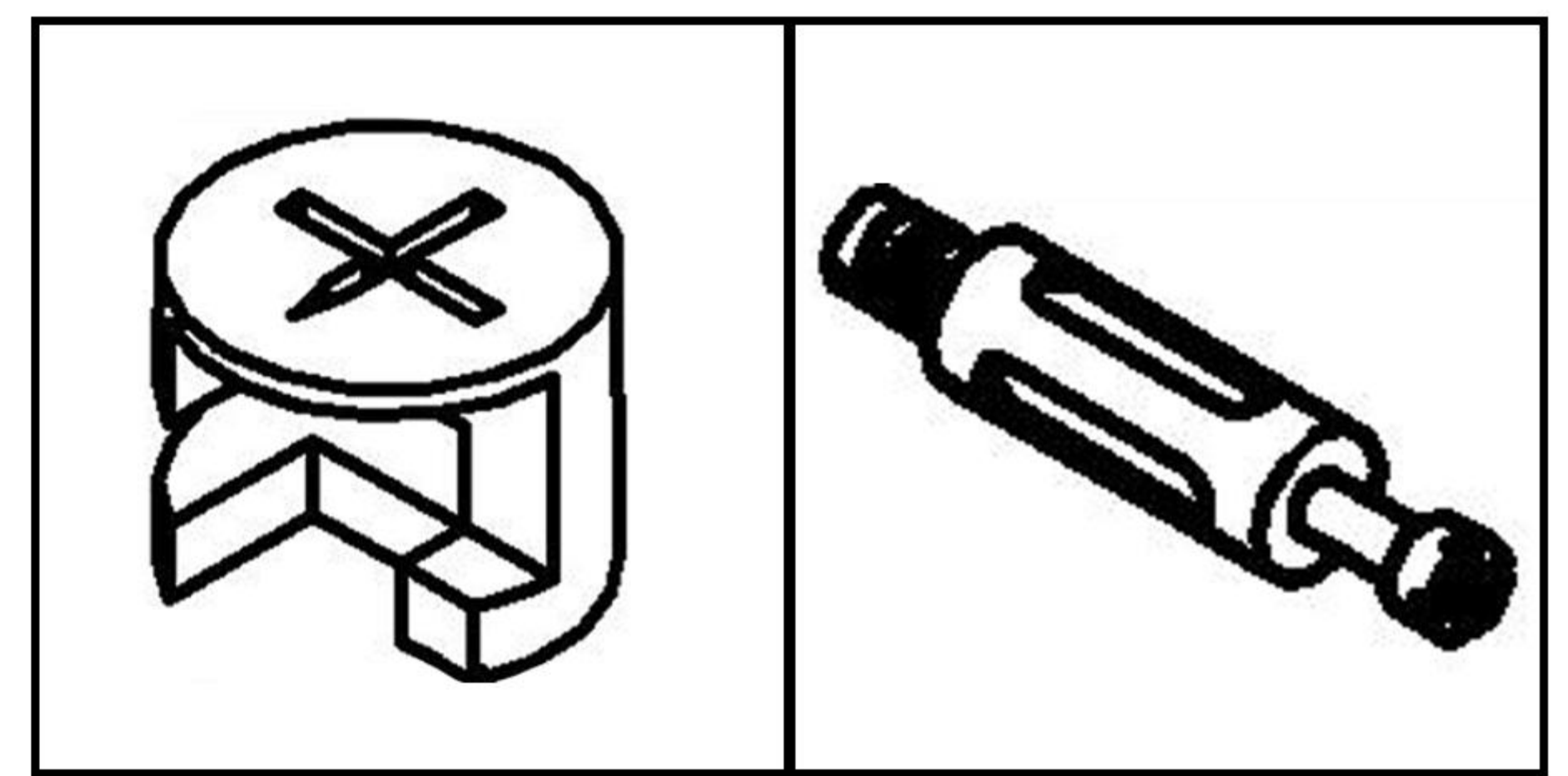
Step 10



Step 9

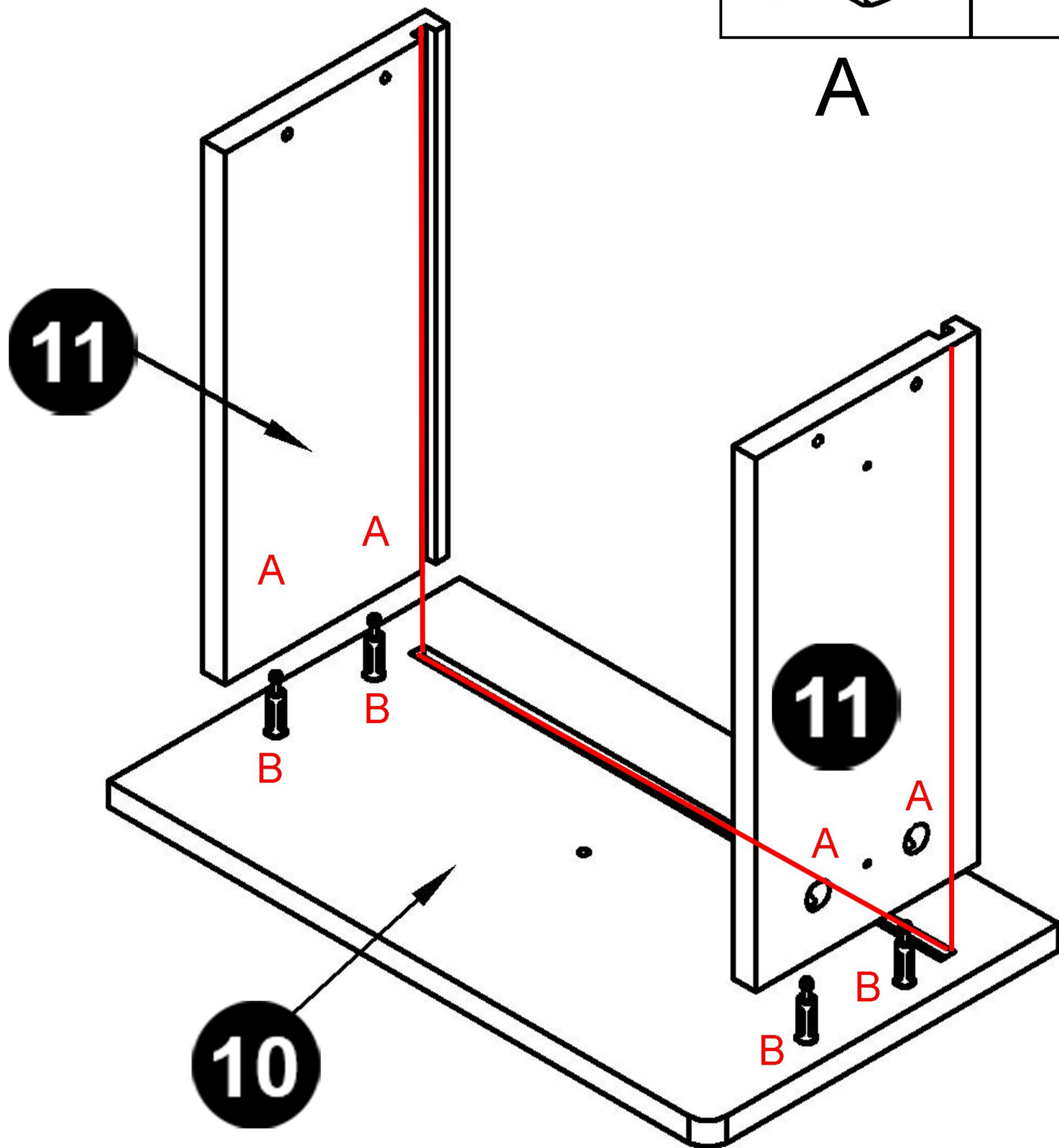
Secure with A and M.

Step 12:



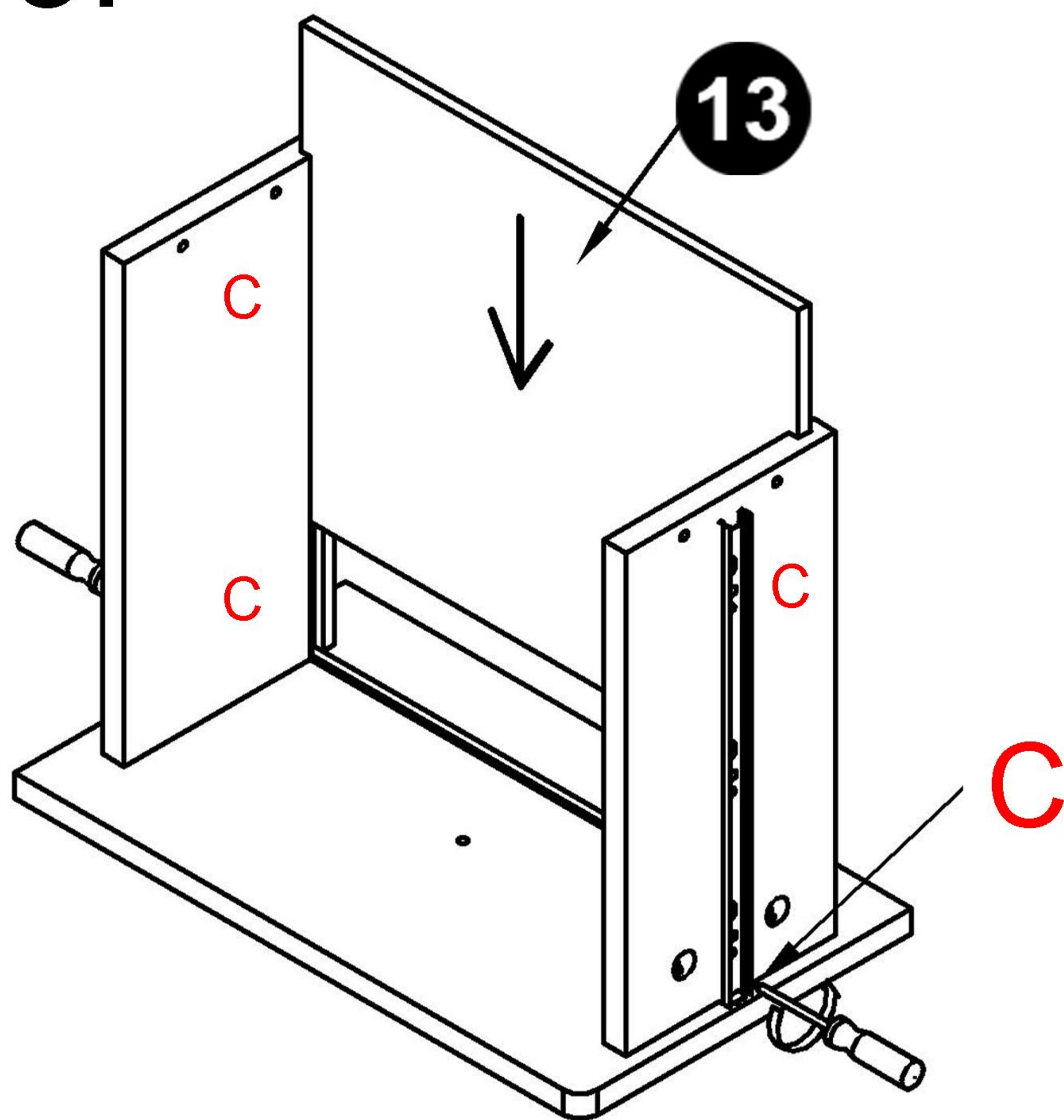
A

B

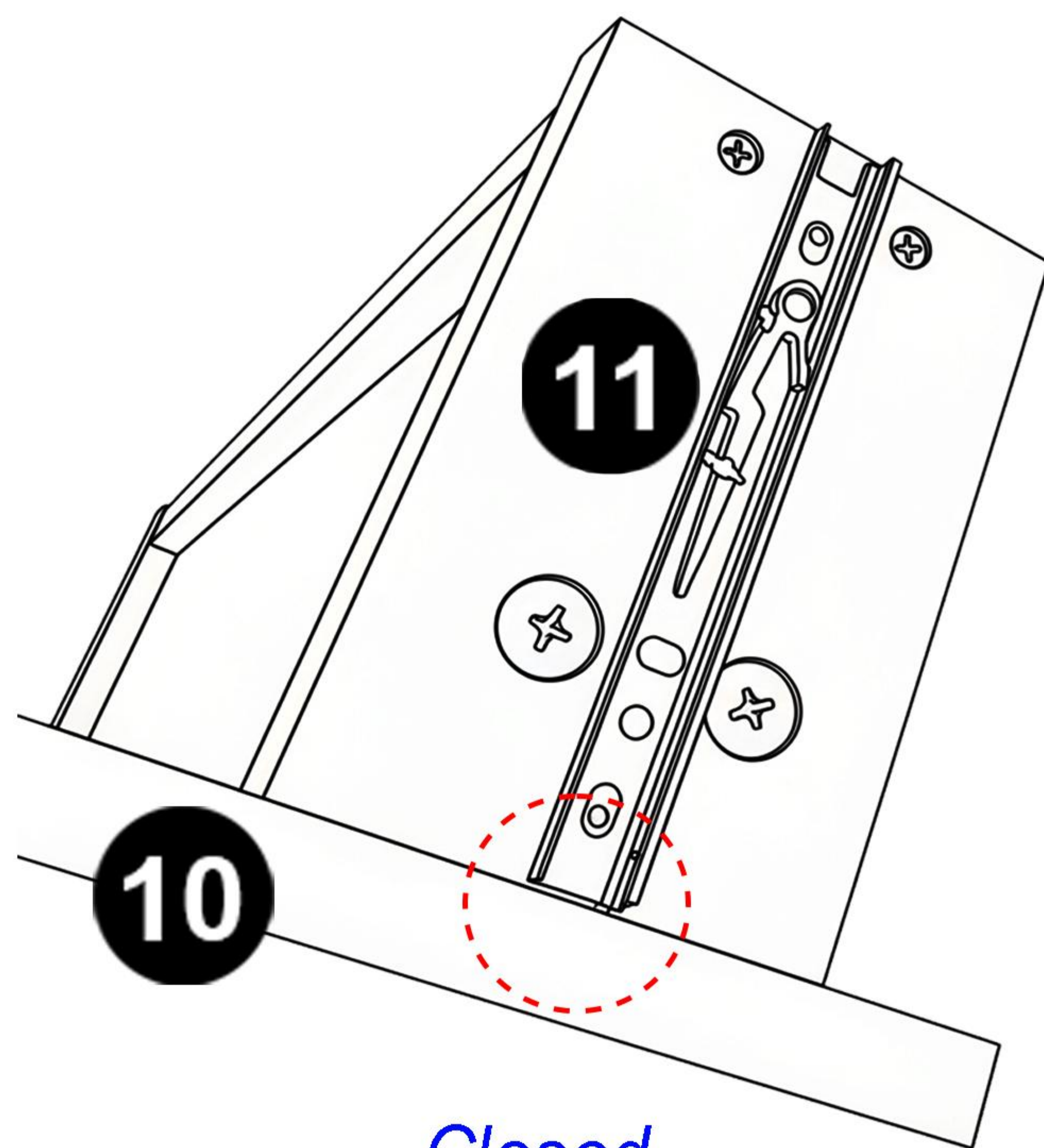


Ensure the grooves on all three sides are aligned. Secure with A.

Step 13:



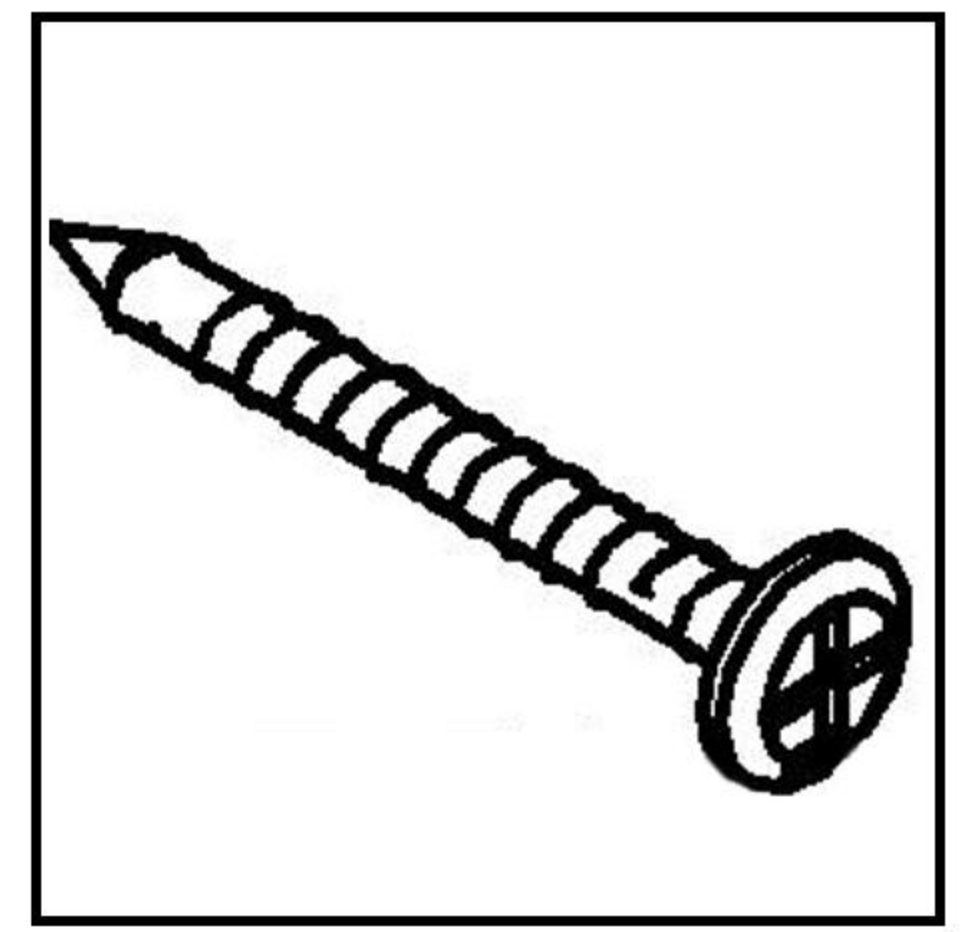
C



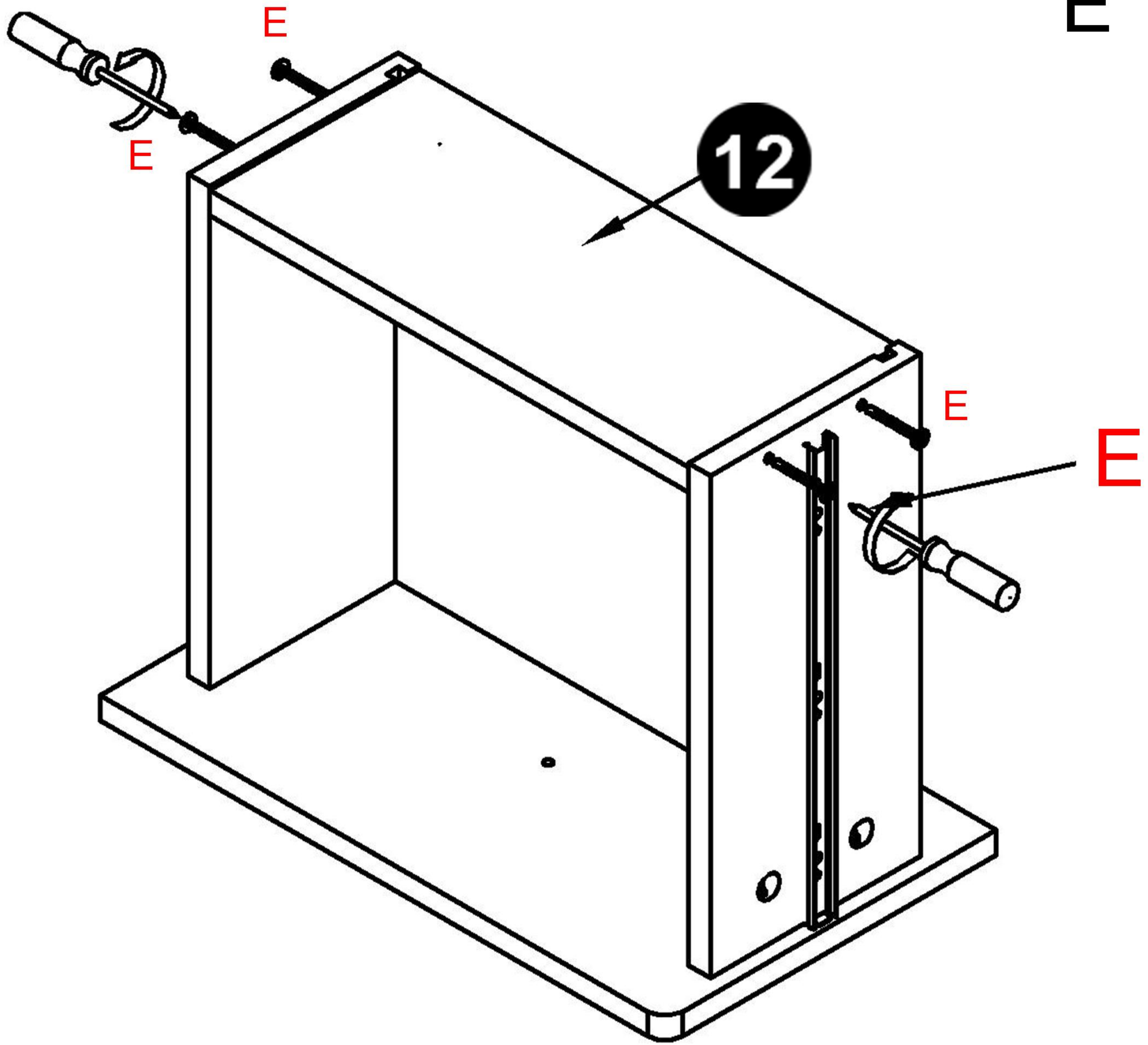
Closed

Note: The F pull-out part should be positioned with the closed side close to Panel No.10.

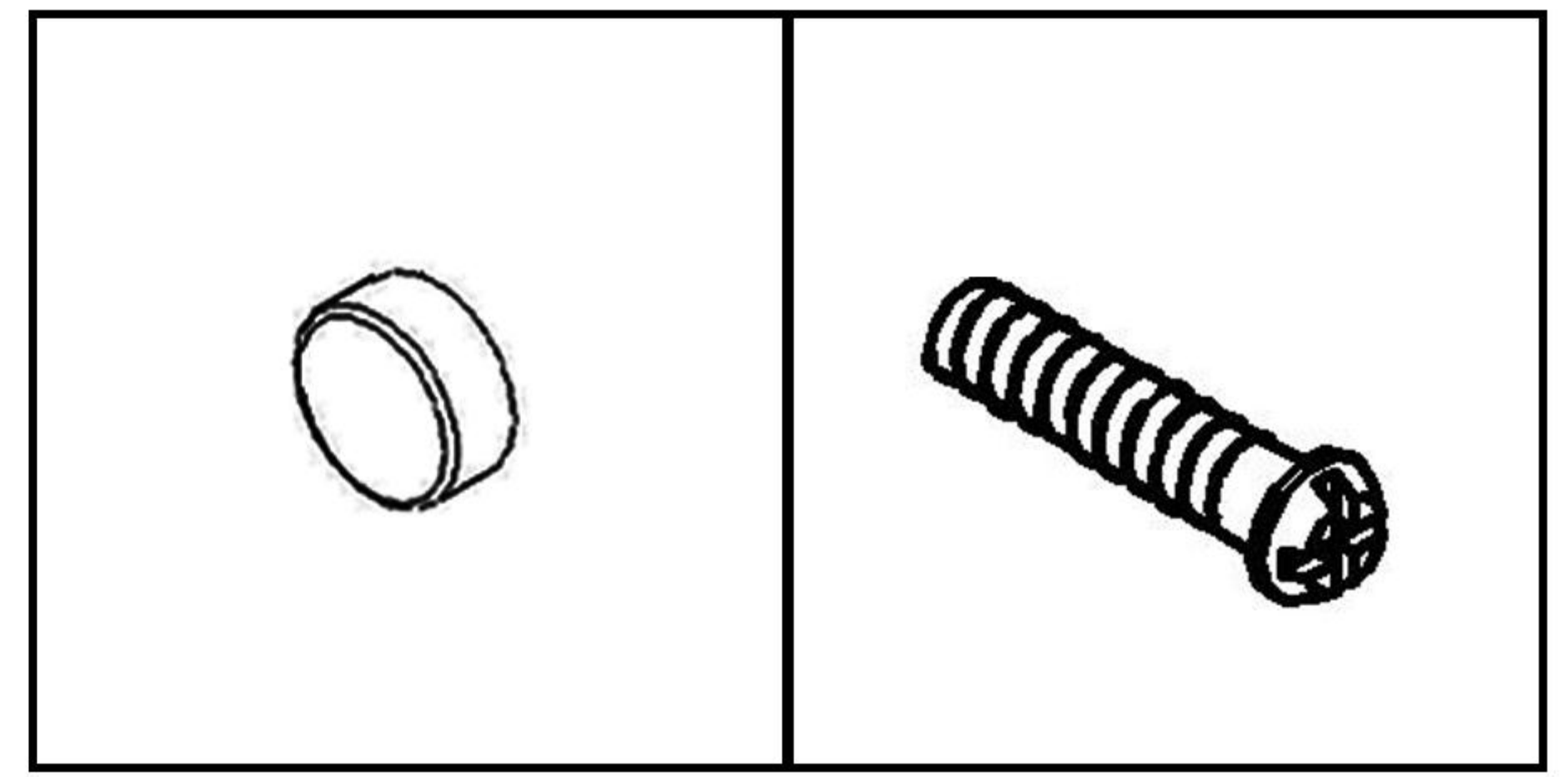
Step 14:



E

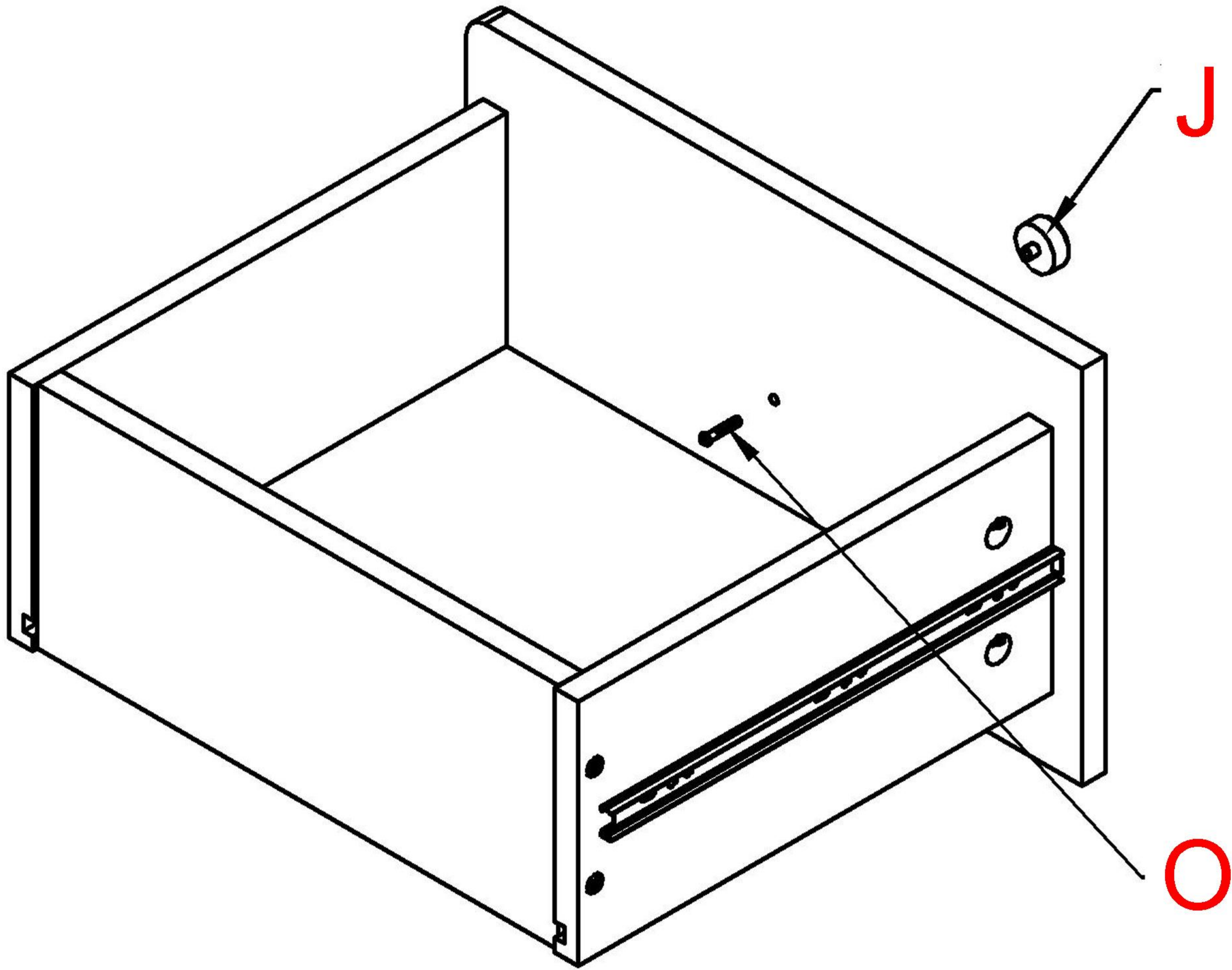


Step 15:

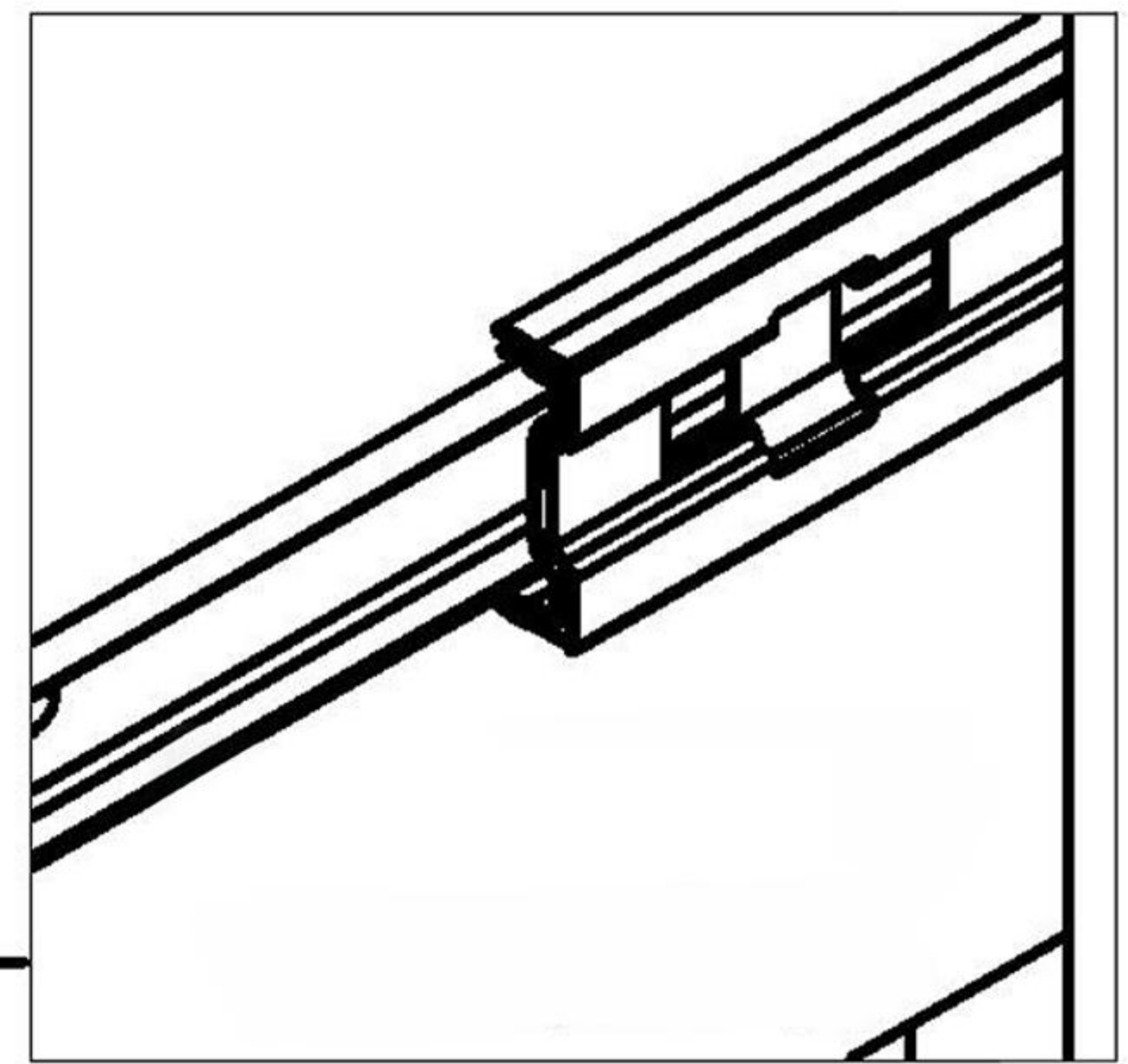
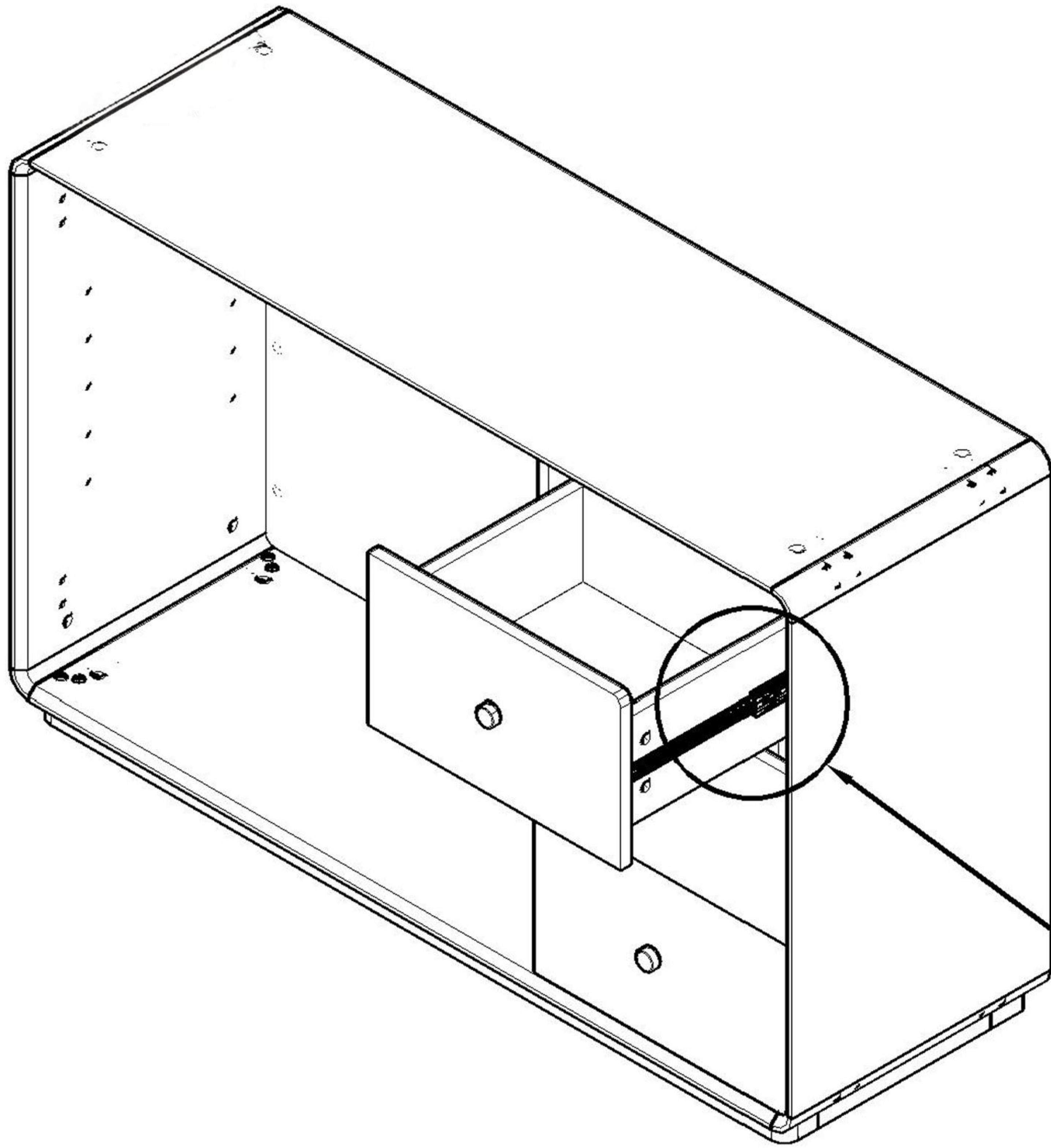


J

O

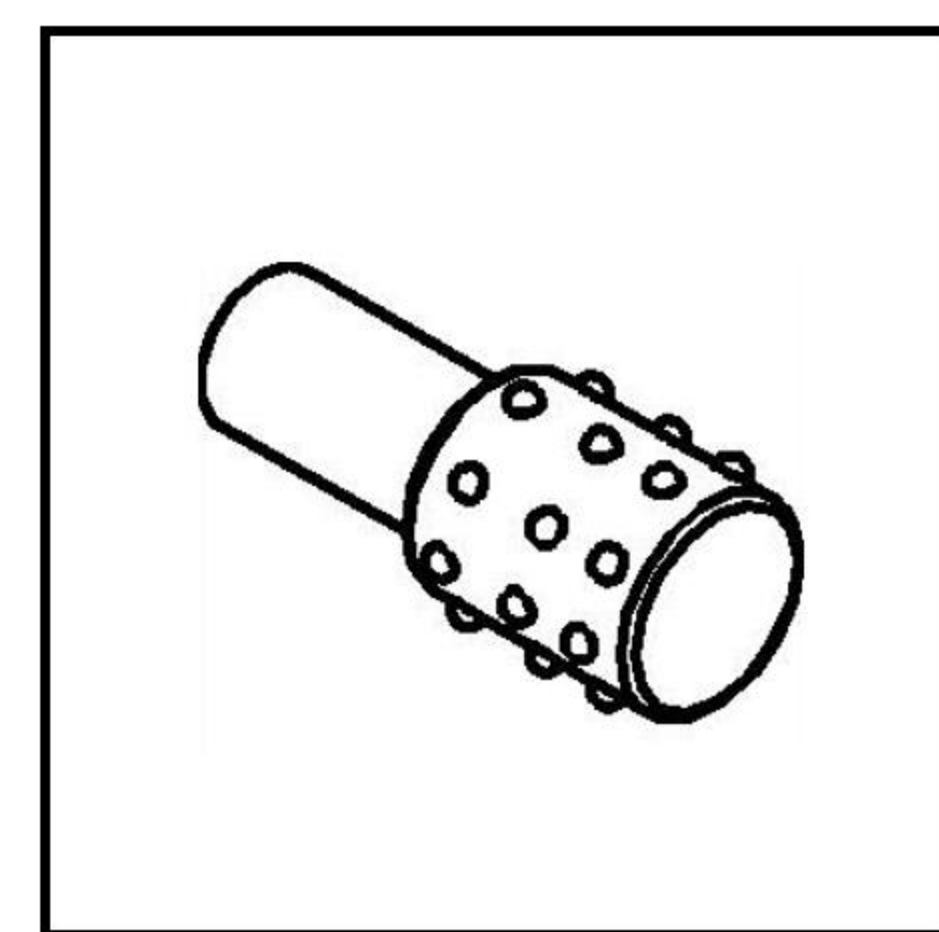


Step 16:

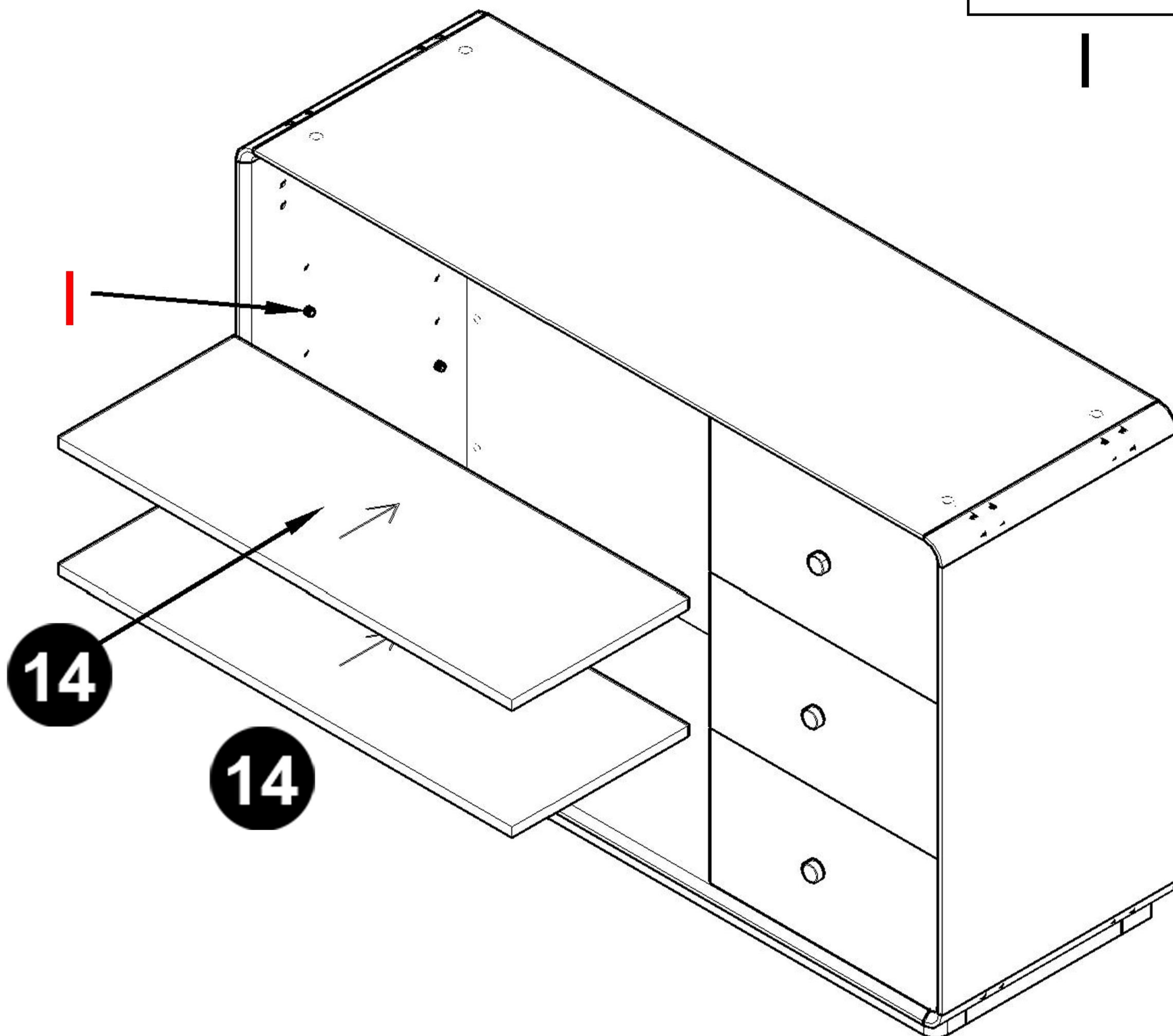


Insert into the slots
on both sides
simultaneously

Step 17:

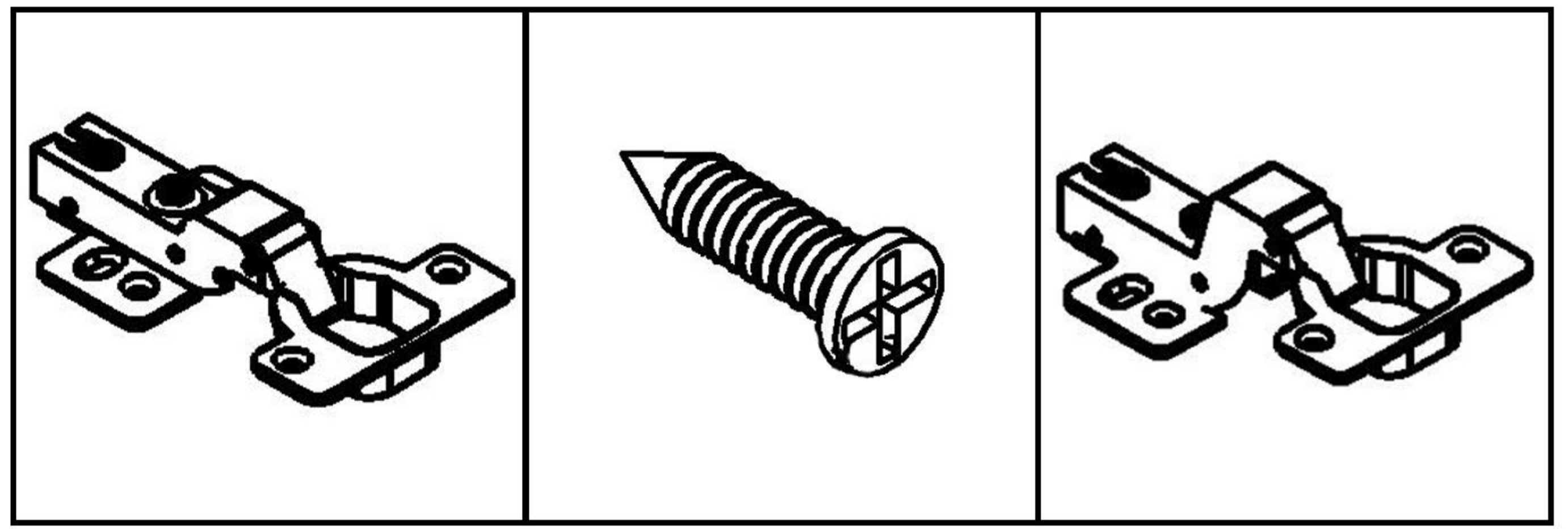


1



Adjust the position of Panel 14 as needed.

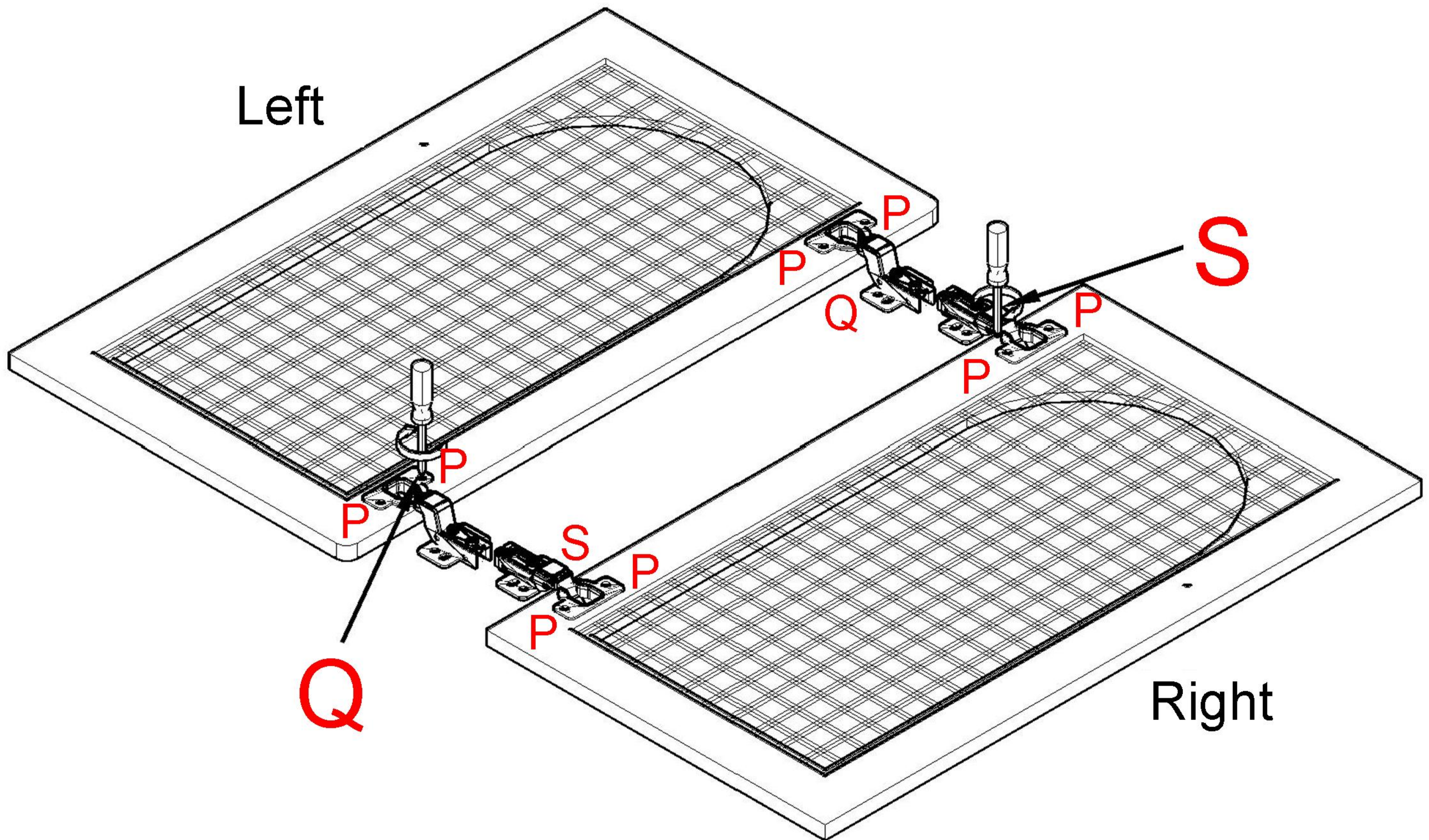
Step 18:



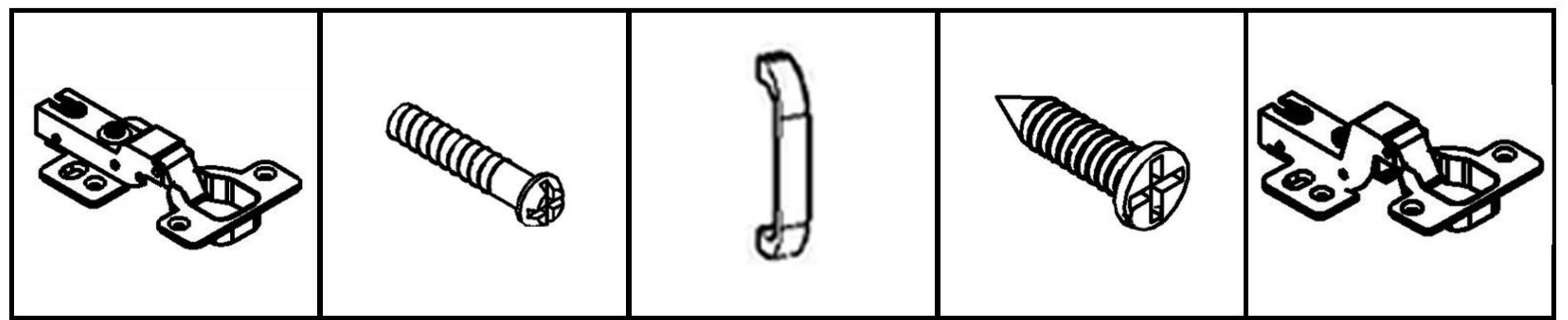
S

P

Q



Step 19:



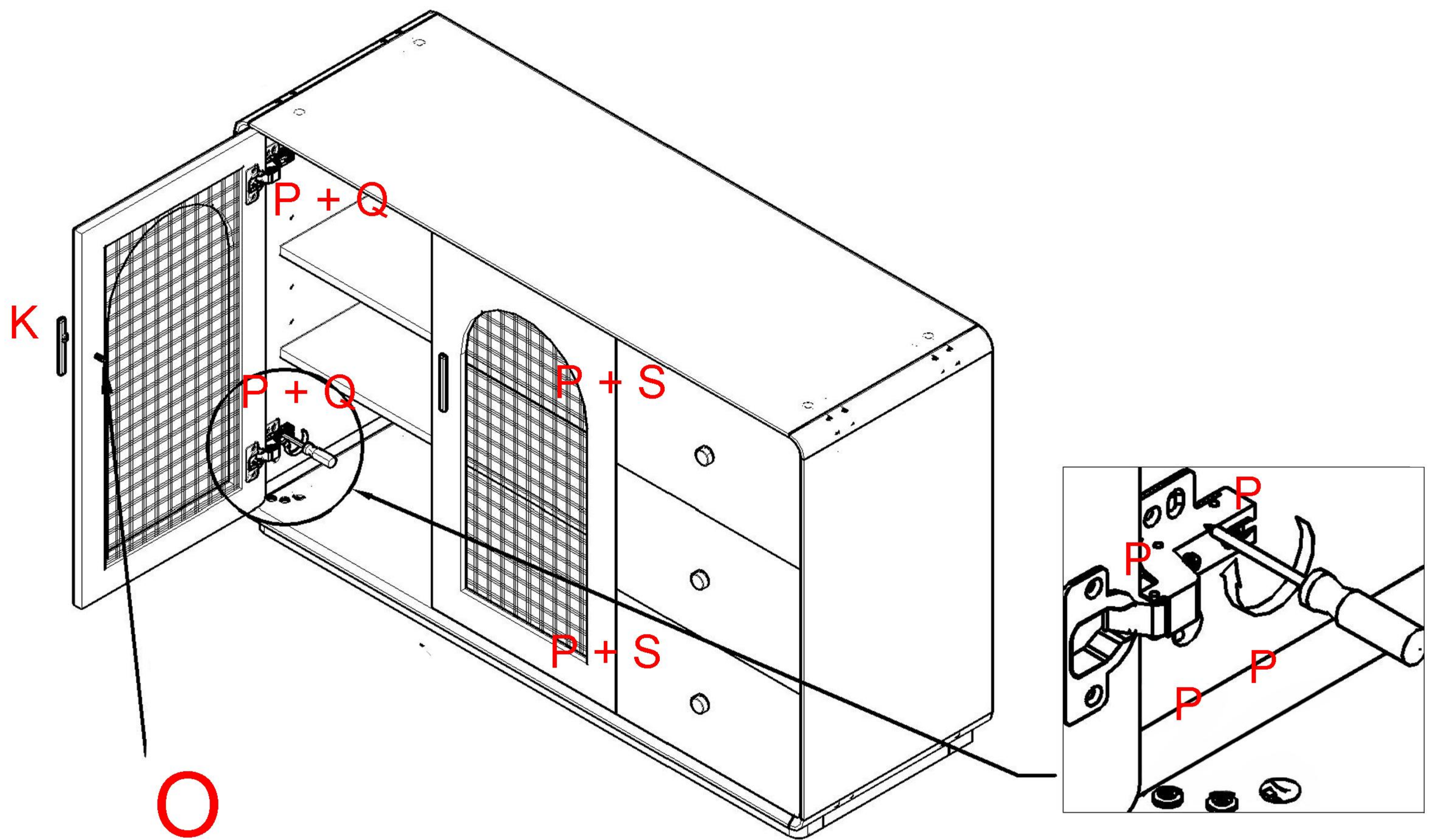
S

O

K

P

Q



Installation finished

