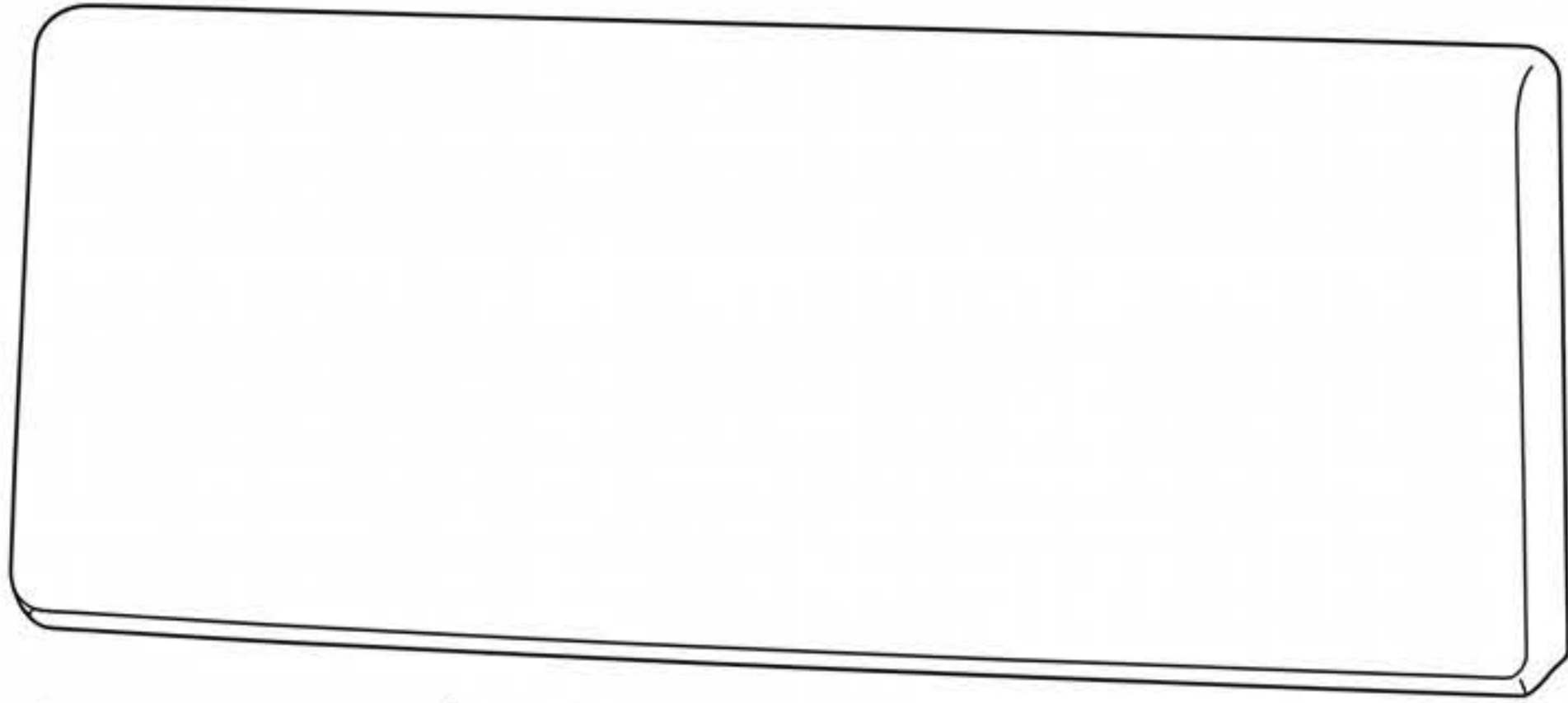


Installation Guide

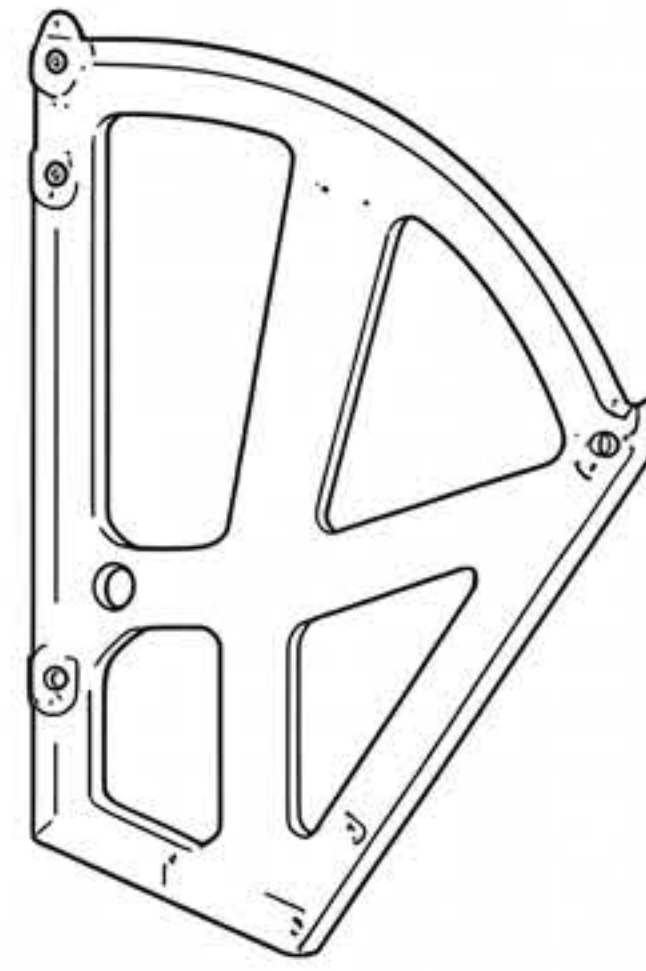
SOCE068

Bamboo Wood / Original Life / Small Furniture

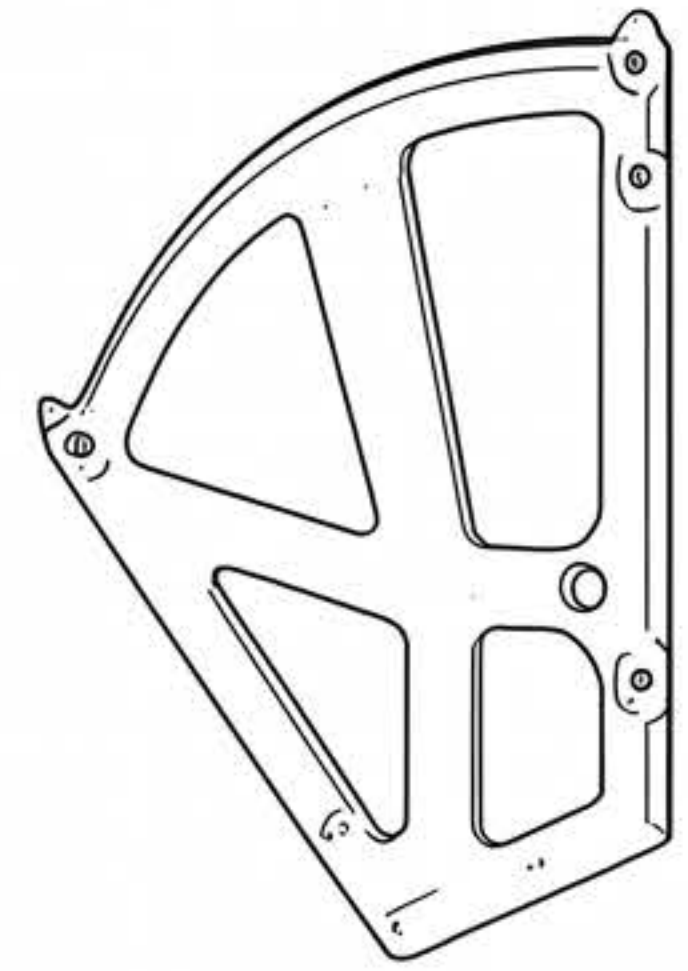
Parts Description



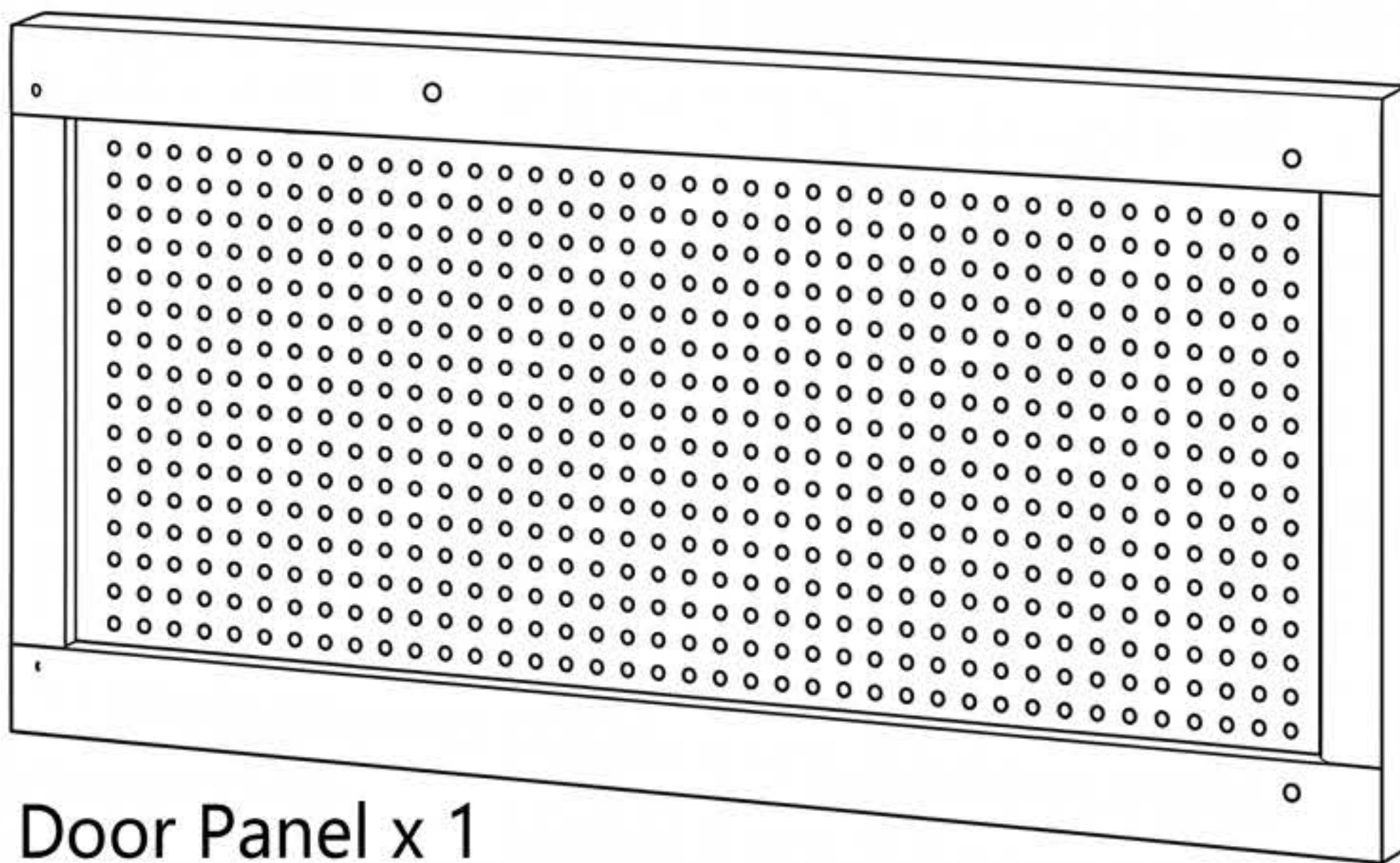
Sponge Pad x 1



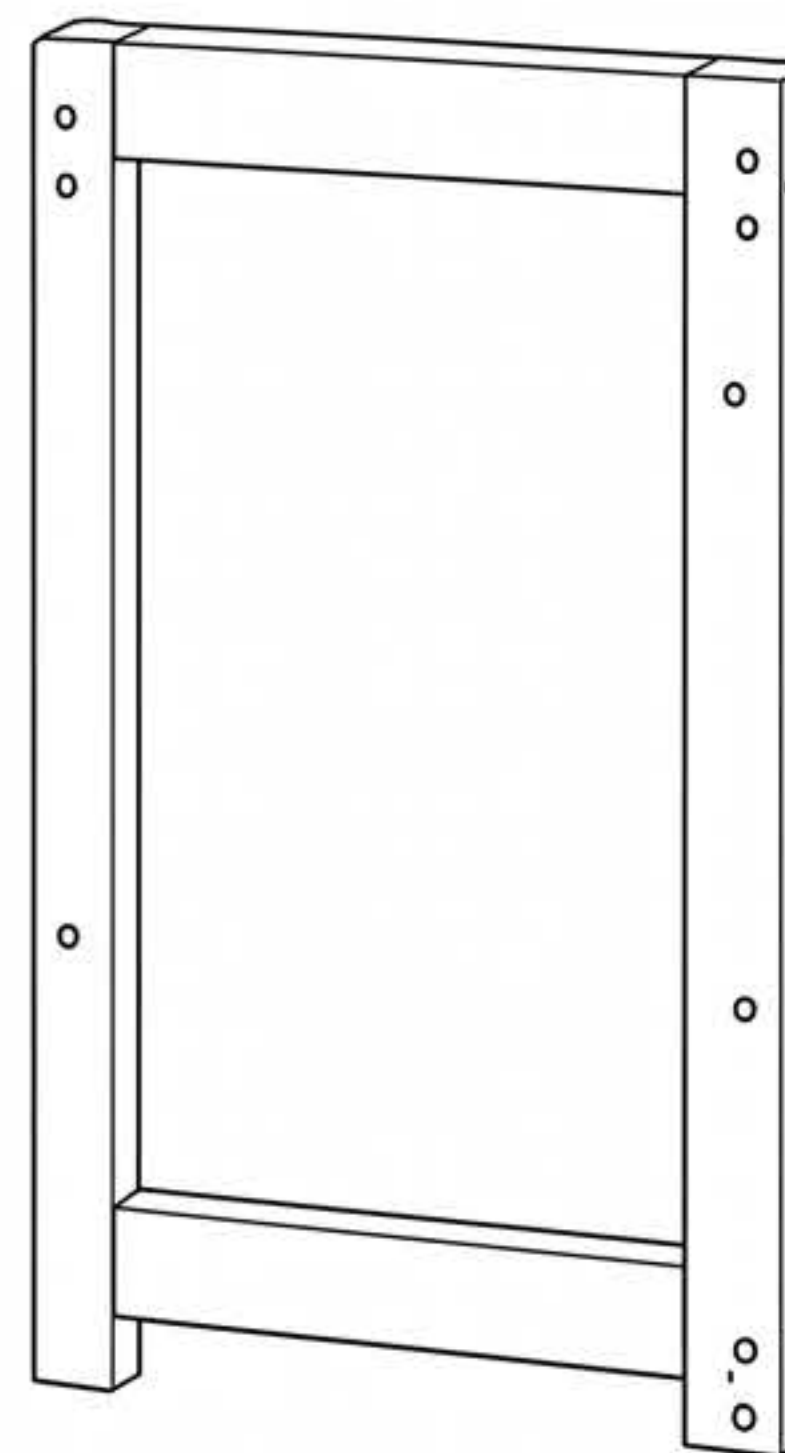
Plastic Baffle
Left x 1



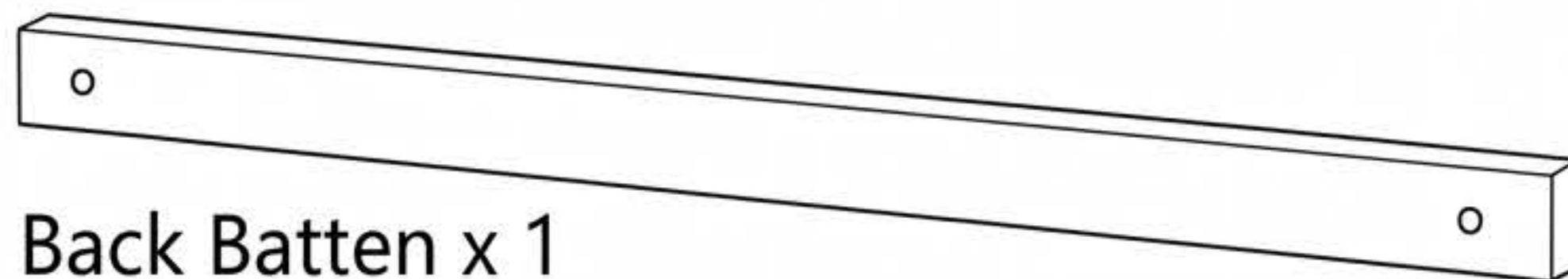
Plastic Baffle
Right x 1



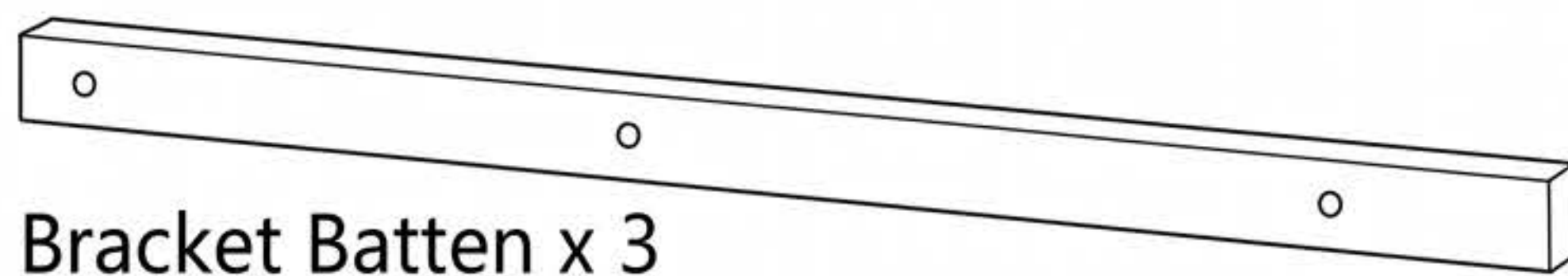
Door Panel x 1



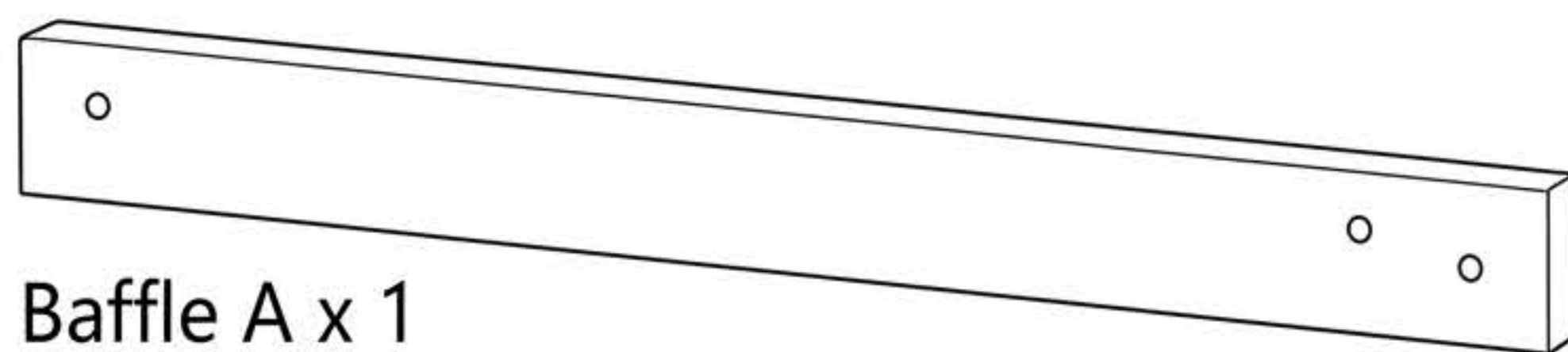
Side Bracket x 2



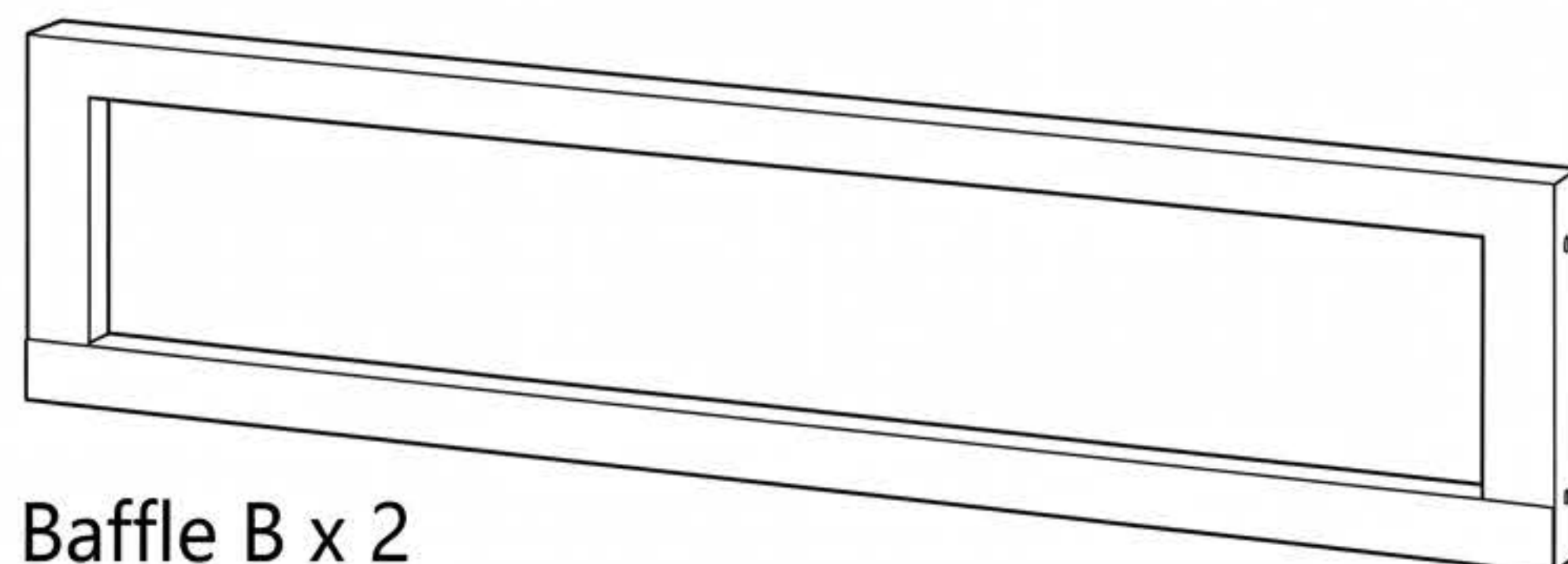
Back Batten x 1



Bracket Batten x 3



Baffle A x 1



Baffle B x 2



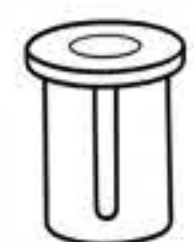
Large
Screw



Small
Screw



Flat-Head
Screw



Smooth
Connector



Door Clip

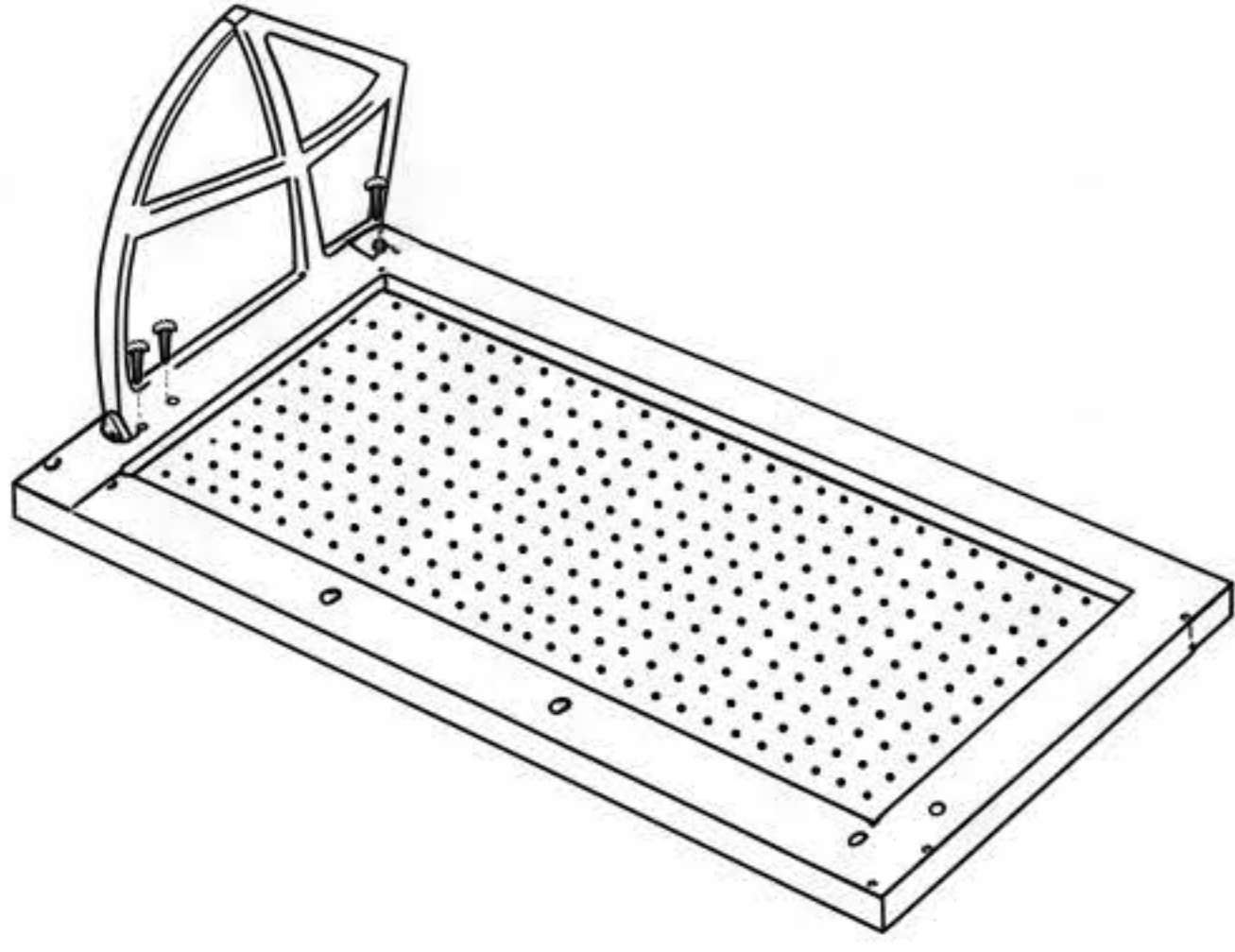


Door Handle

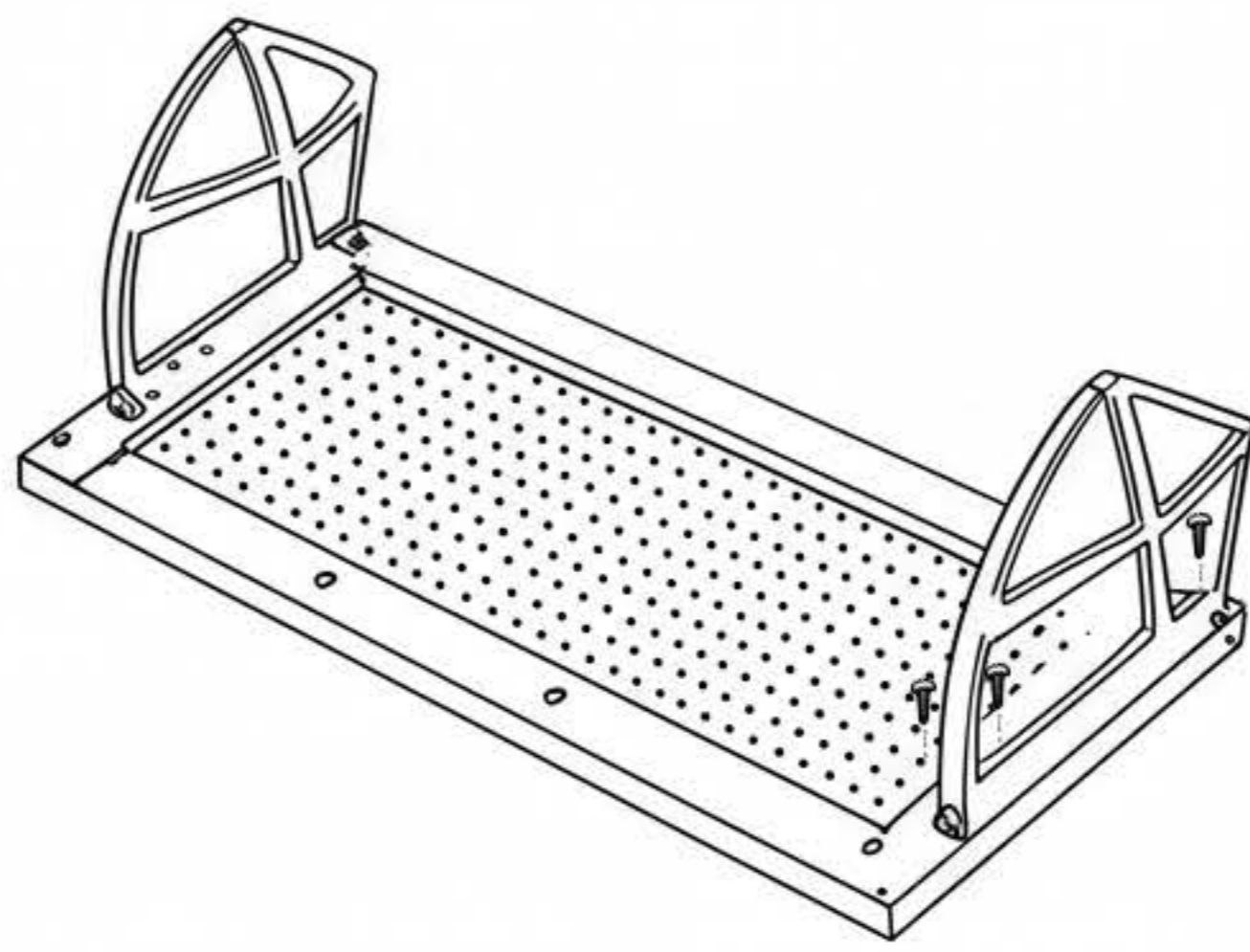


Installation Tool

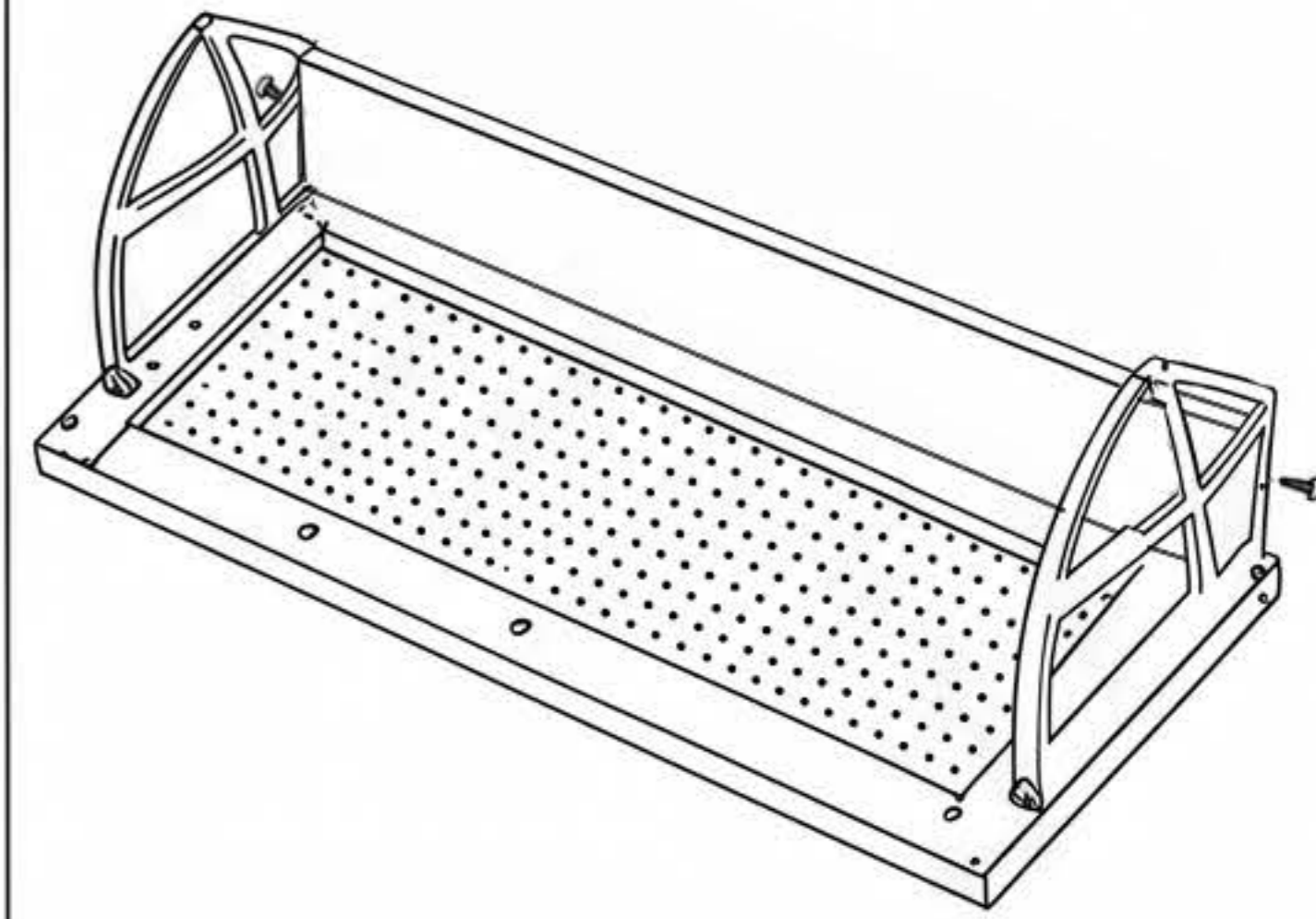
START ASSEMBLY



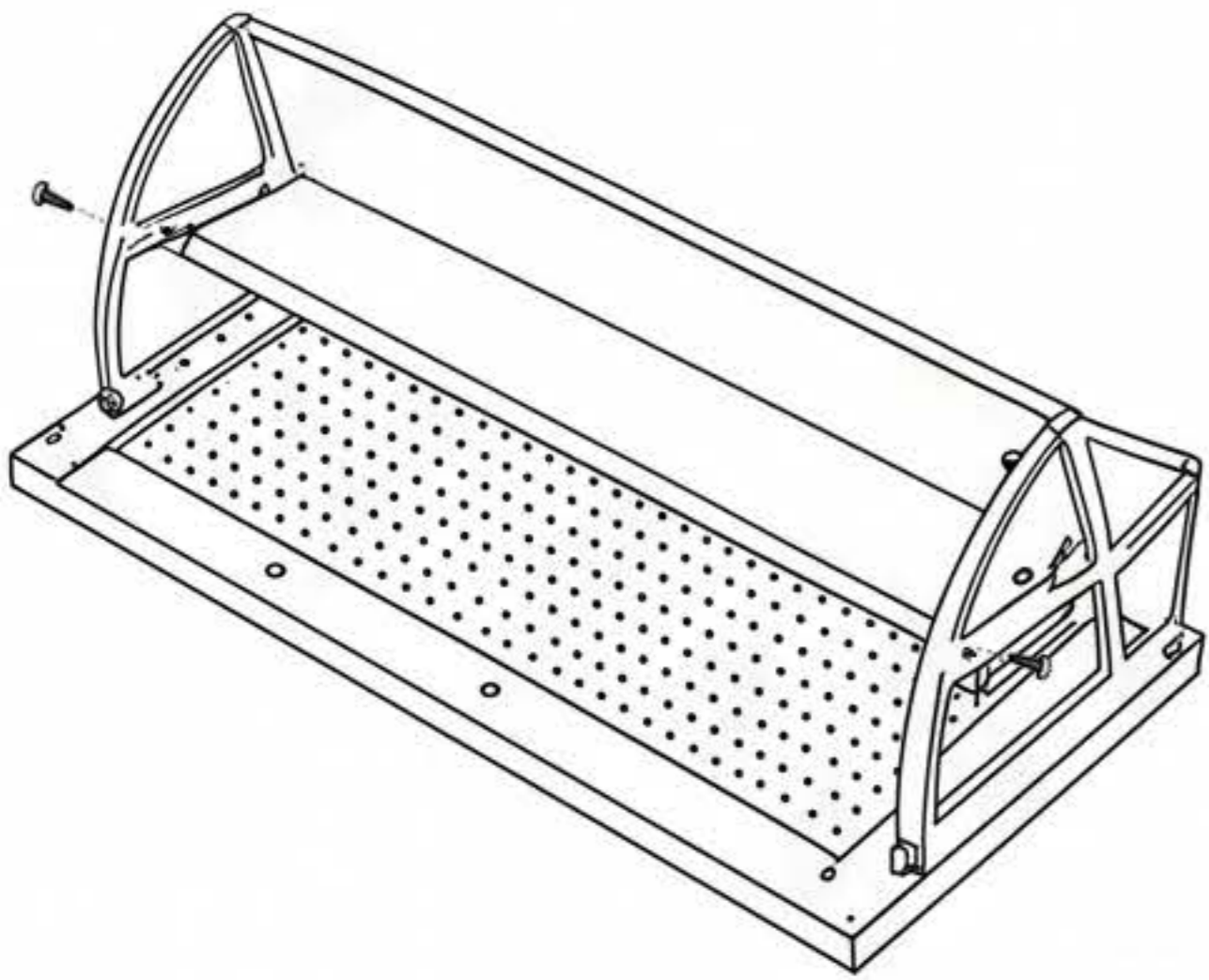
1 Take out the door panel and the left plastic baffle, and install using small screws.



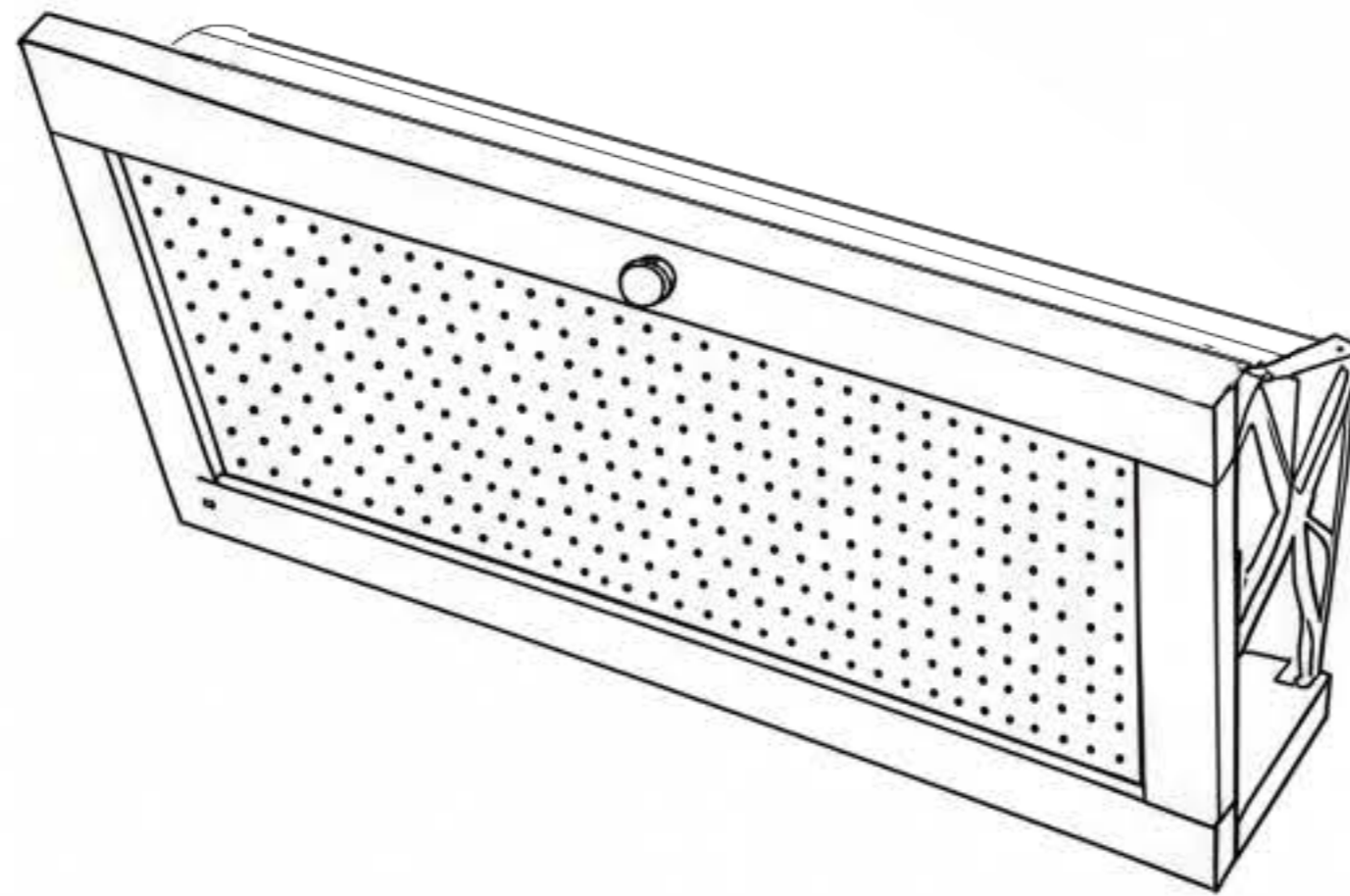
2 Take out the right plastic baffle, and install using small screws.



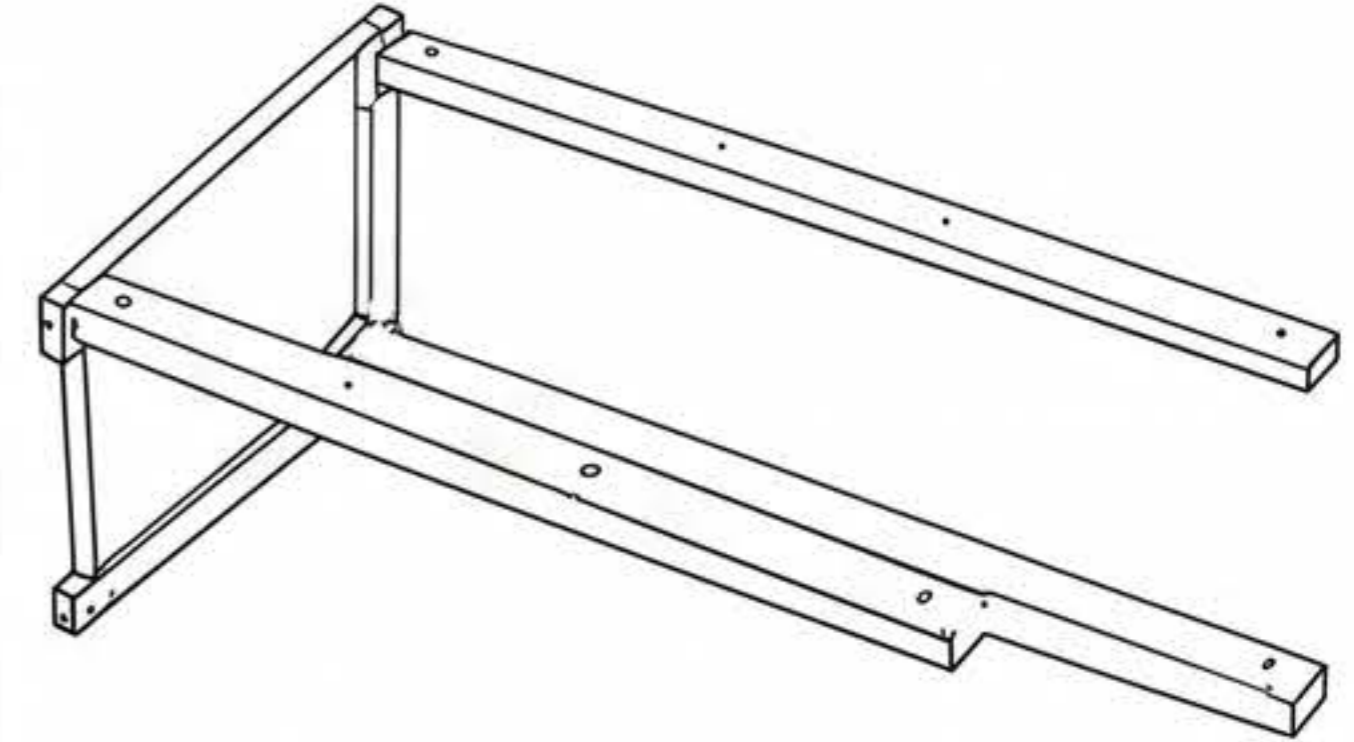
3 Take out baffle A, and install using small screws.



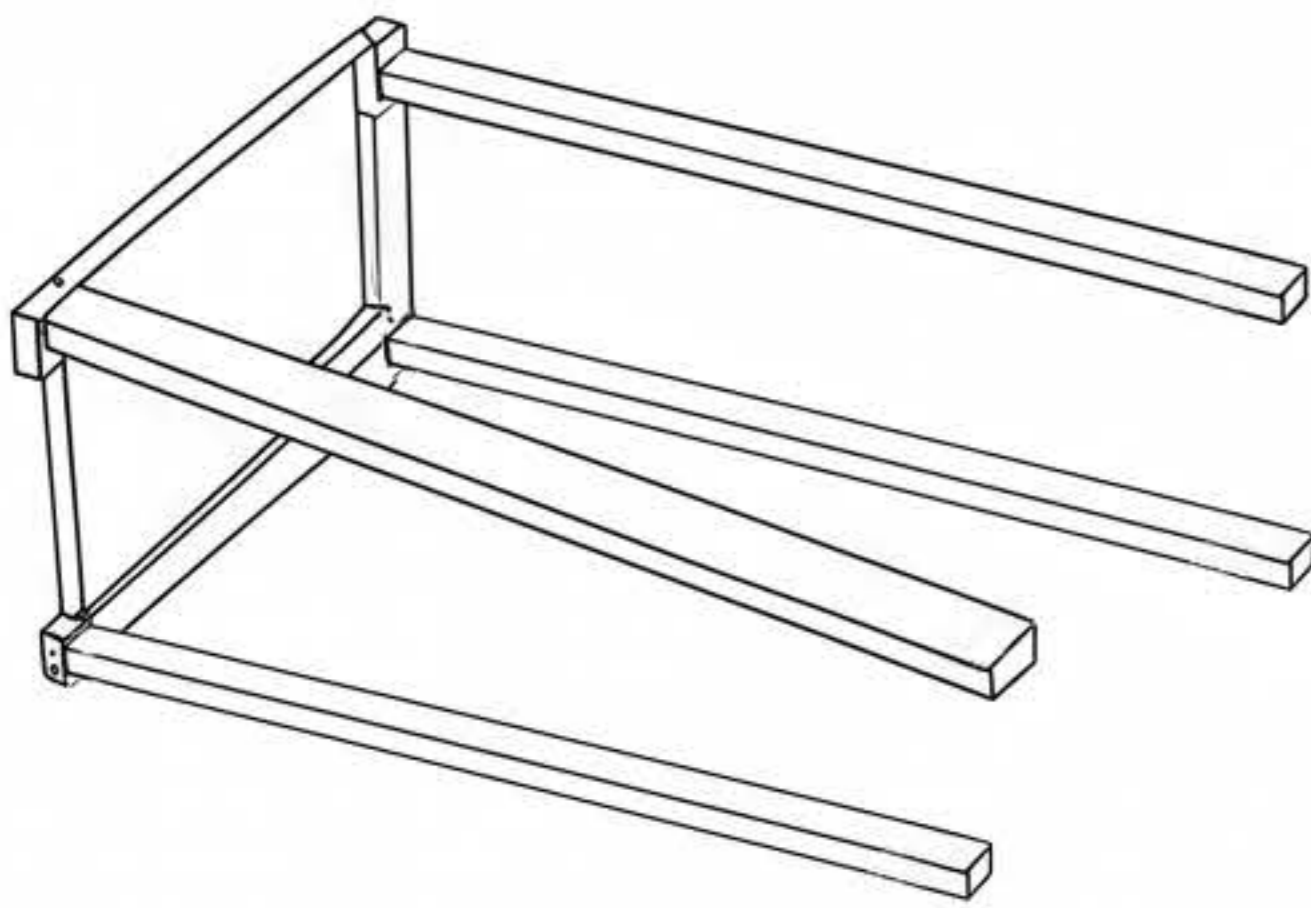
4 Take out baffle B, and install using small screws.



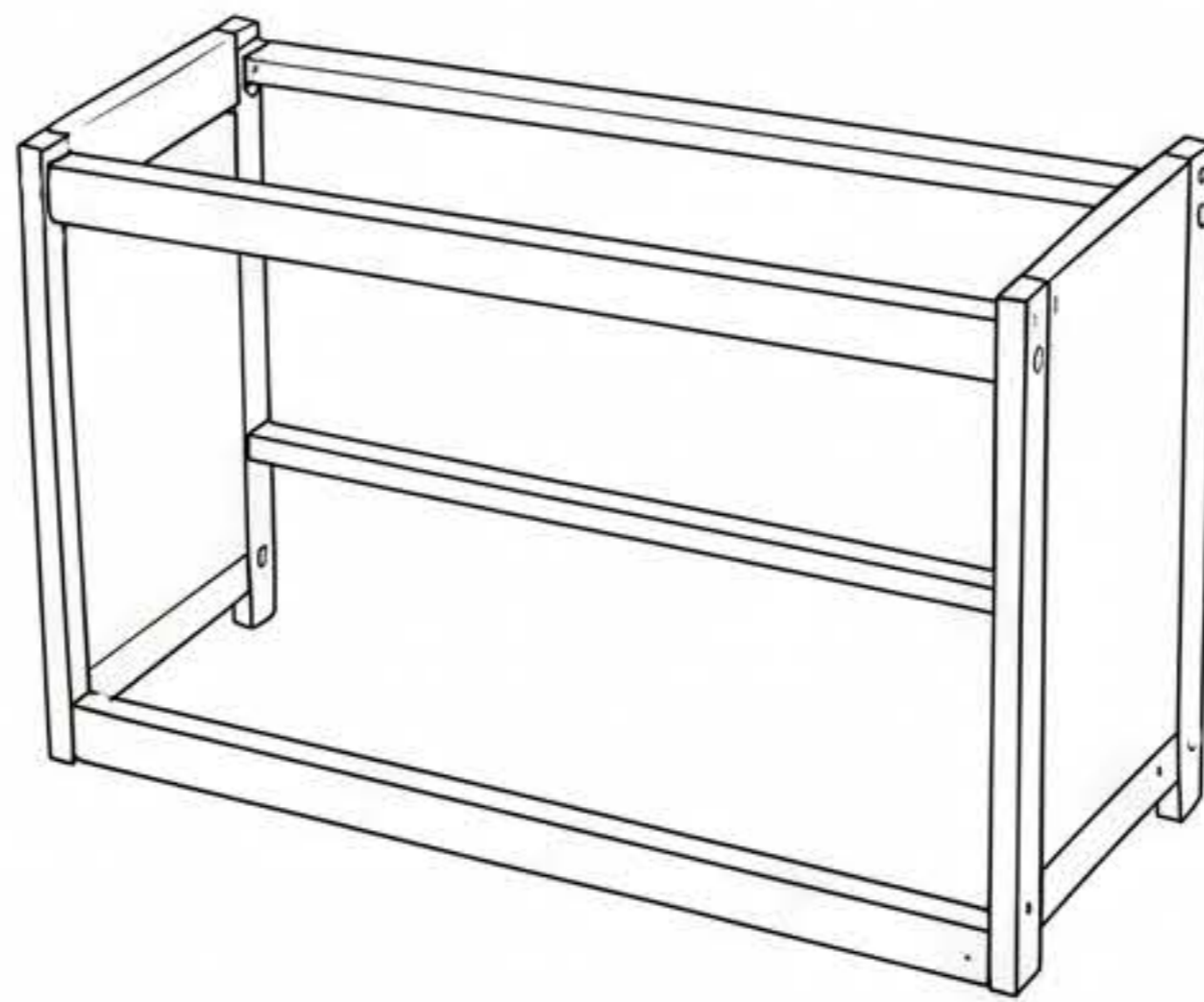
5 Take out the door handle, and install using flat-head screws.



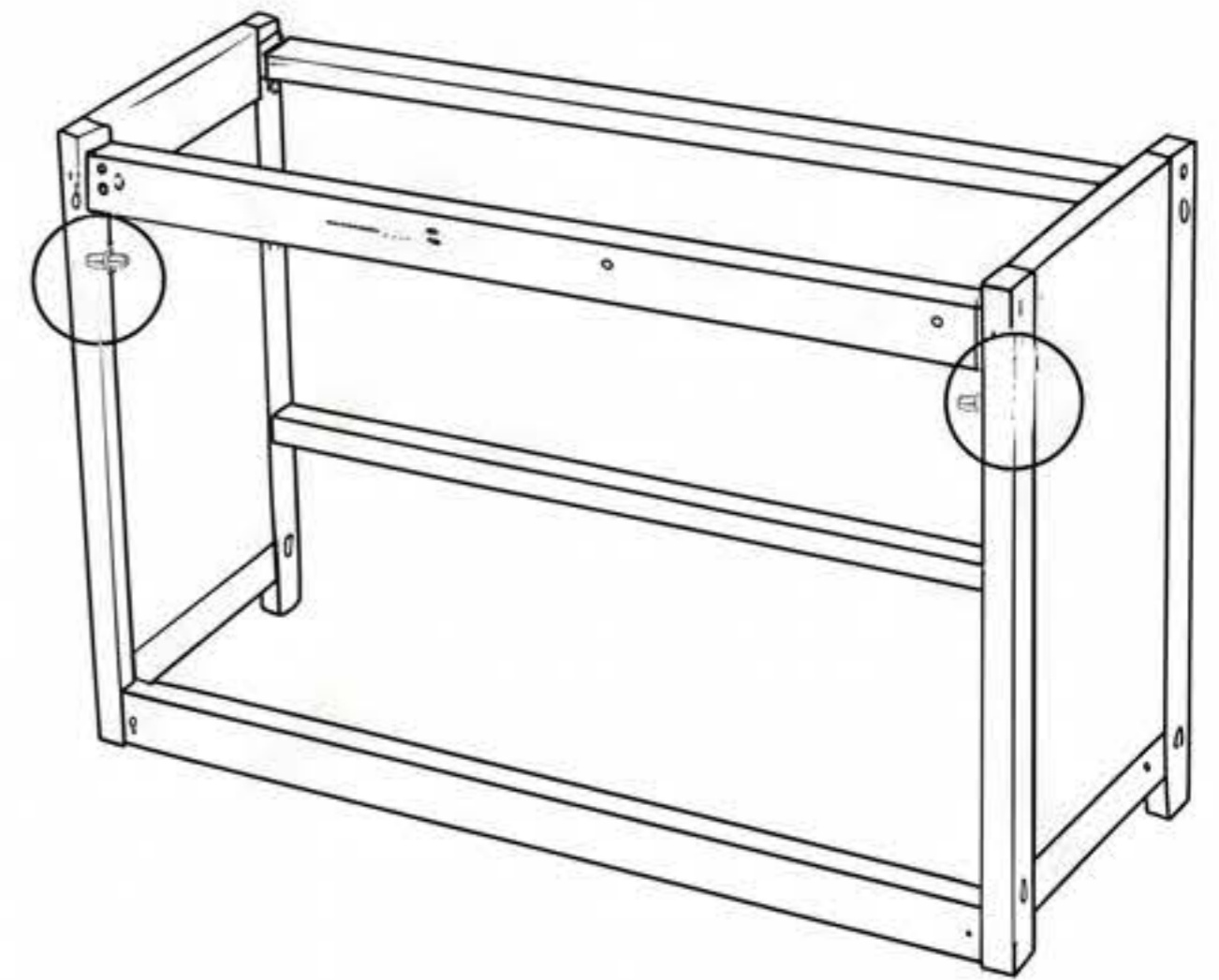
6 Take out the side brackets and the bracket battens, and install using large screws.



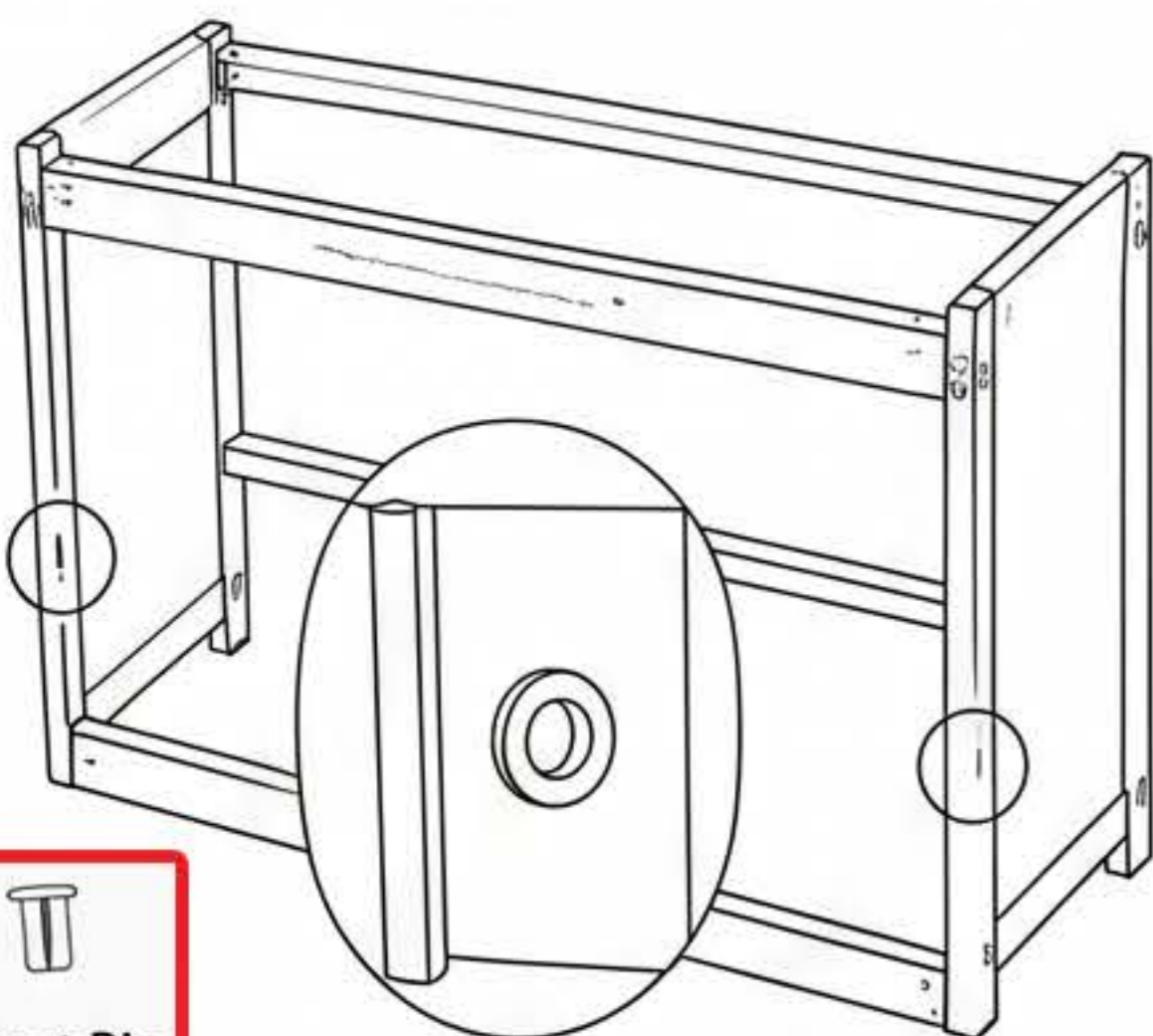
7 Take out the back batten, and install using large screws.



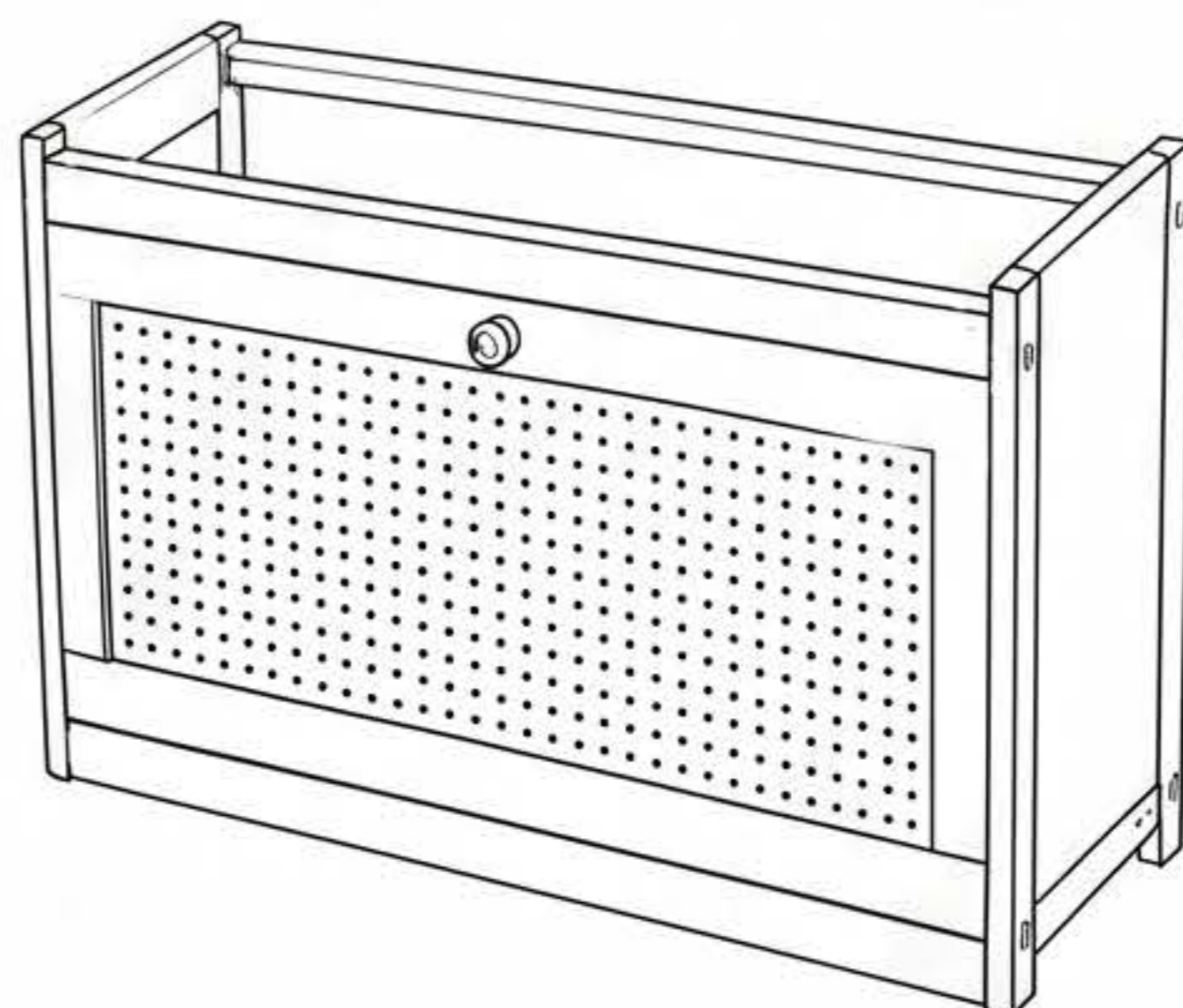
8 Take out the other side bracket, and install using large screws.



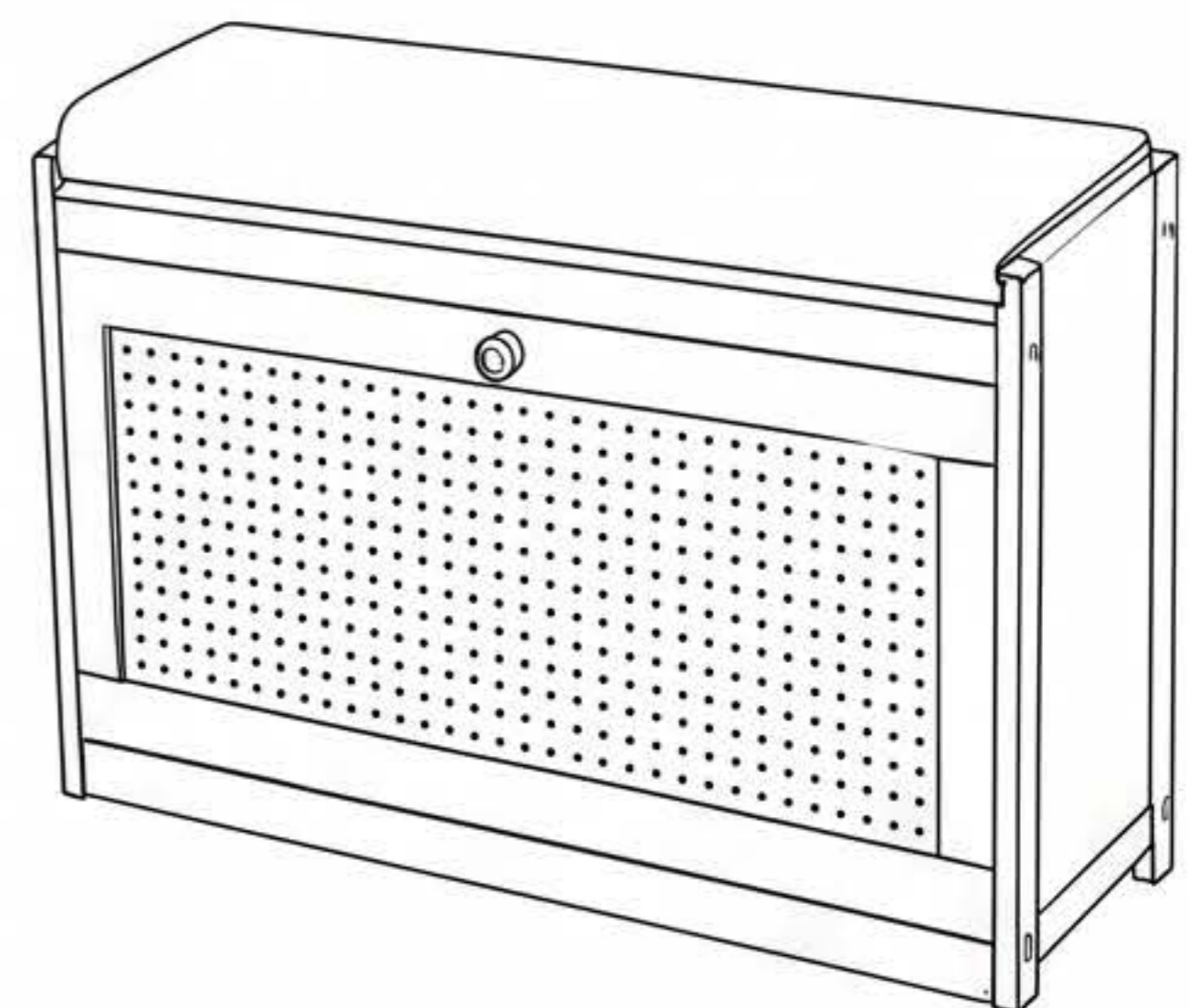
9 Then insert the door catch bars into the holes in the side brackets.



10 Take out the smooth connectors, and insert them into the holes in the side brackets.



11 Then, secure the assembled door panel to the side brackets using large screws (large screws pass through the smooth connectors).



12 Finally, place the cushion on top.