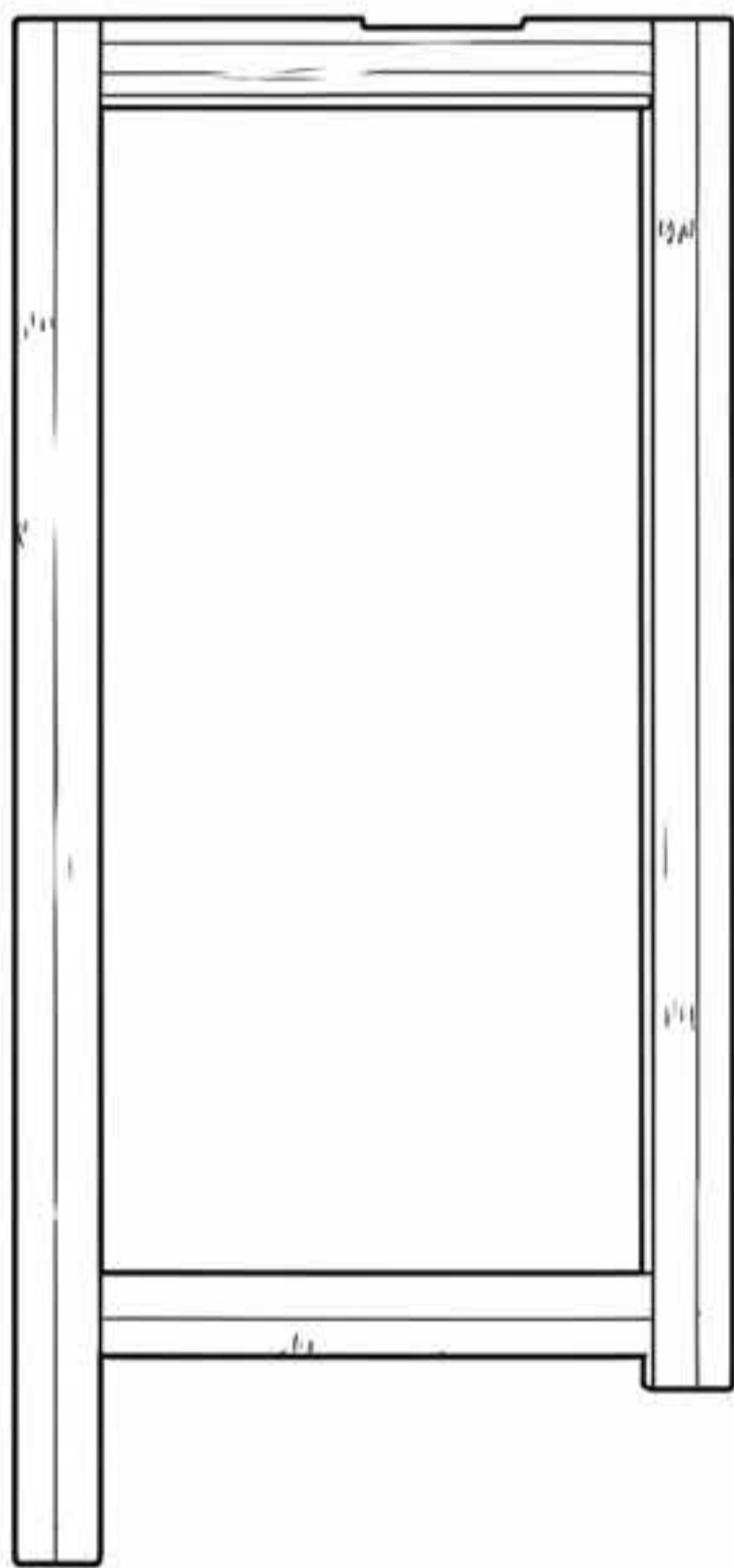
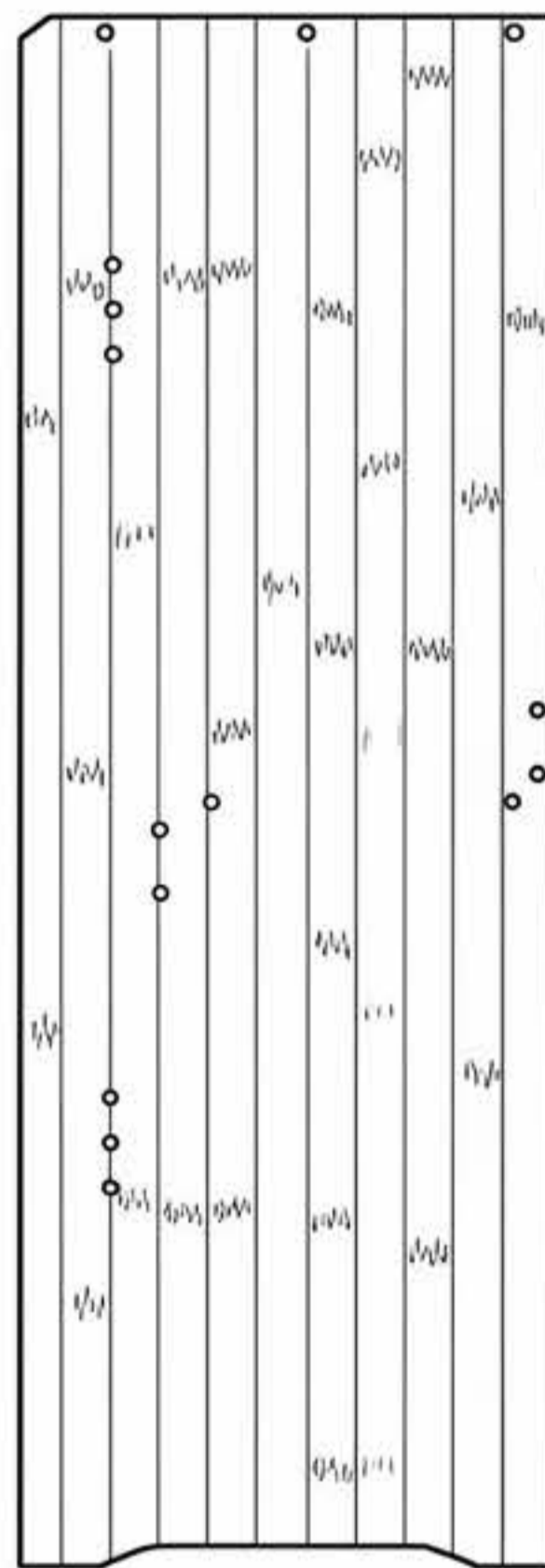


CD010

Installation Instruction



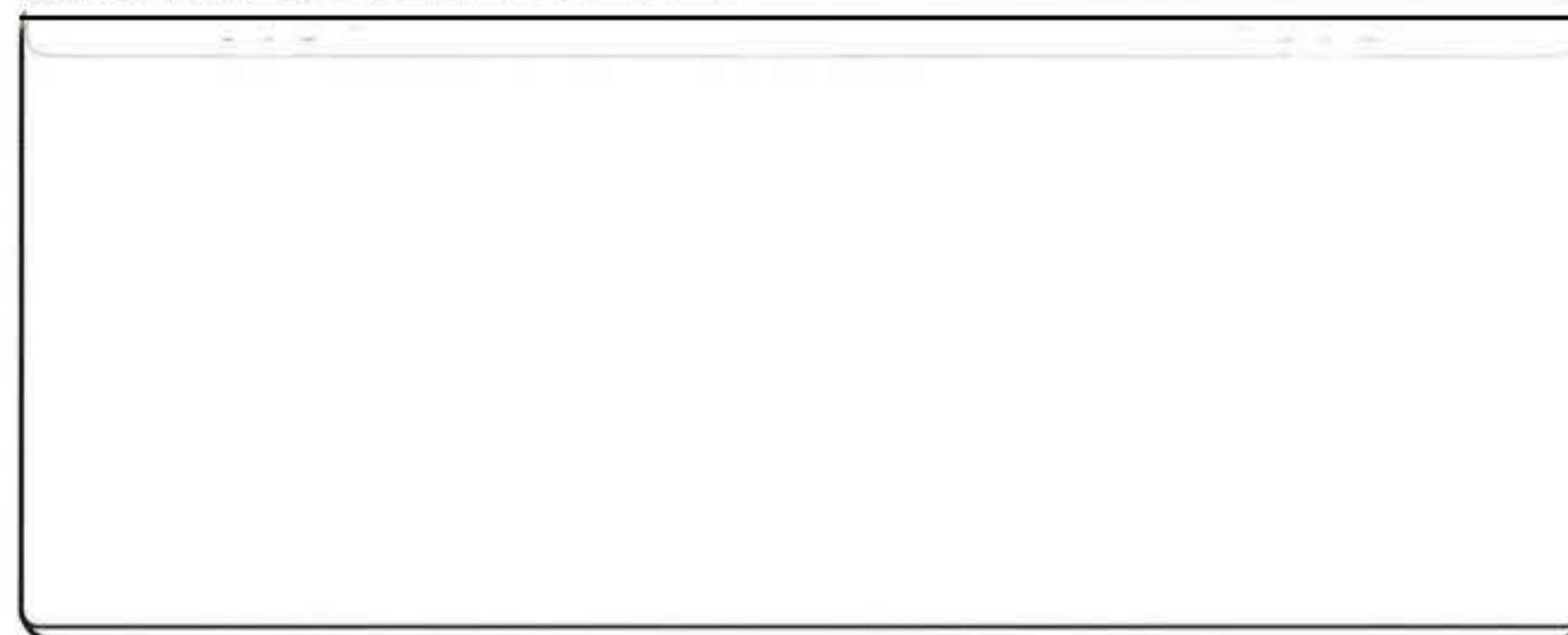
FRAME x 2



LEG PANEL x 2



SMALL TABLE TOP x 1



LARGE TABLE TOP x 1



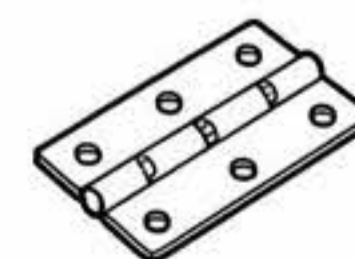
FRONT/BACK BAFFLE x 2



SHELF PANEL x 1



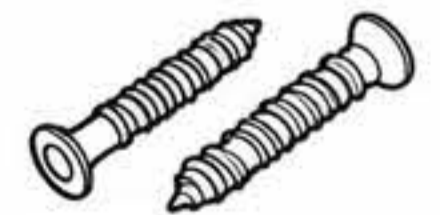
DOWEL PIN



HINGE



SMALL
SCREW



LARGE
SCREW

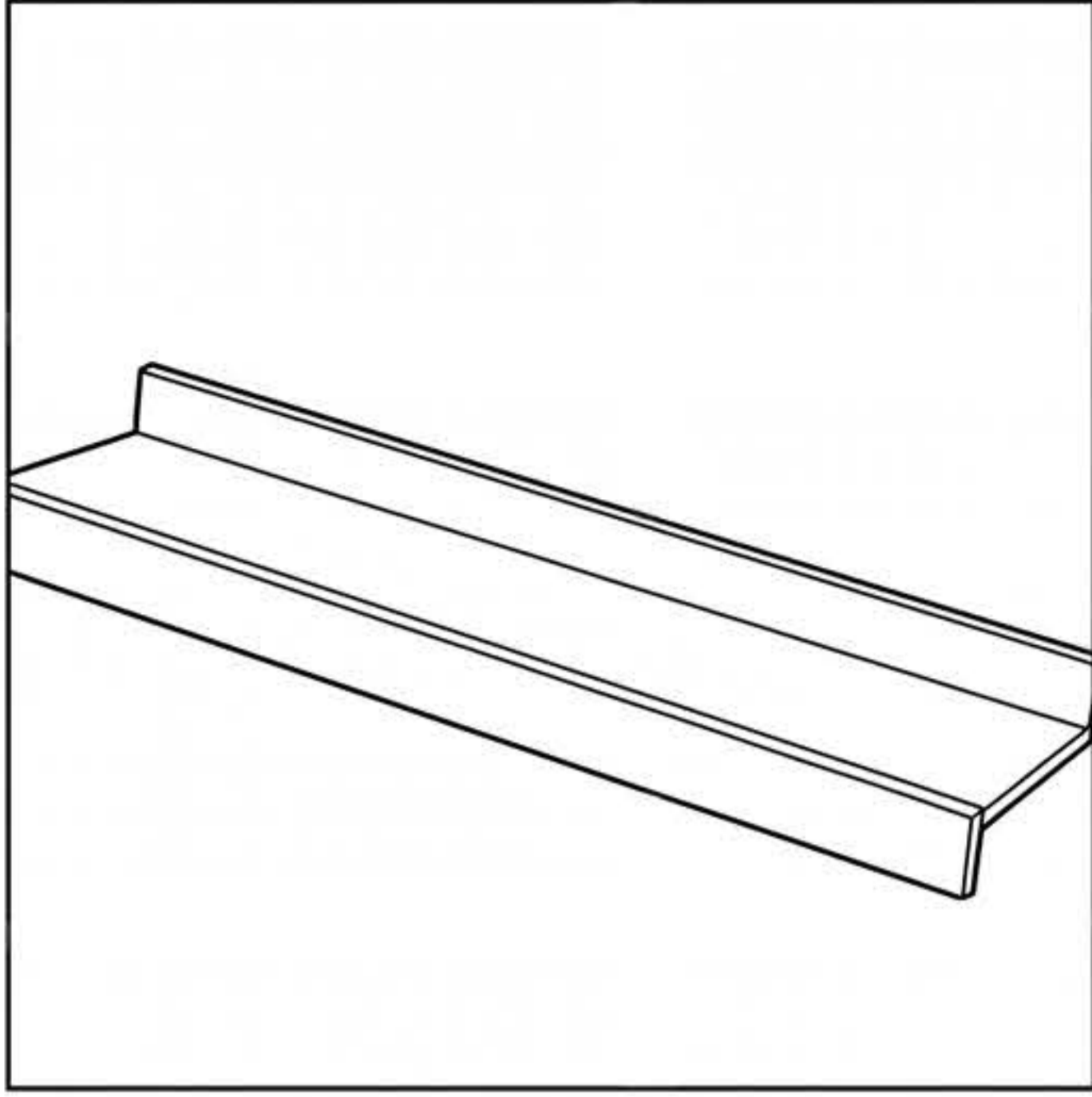


ASSEMBLY TOOL

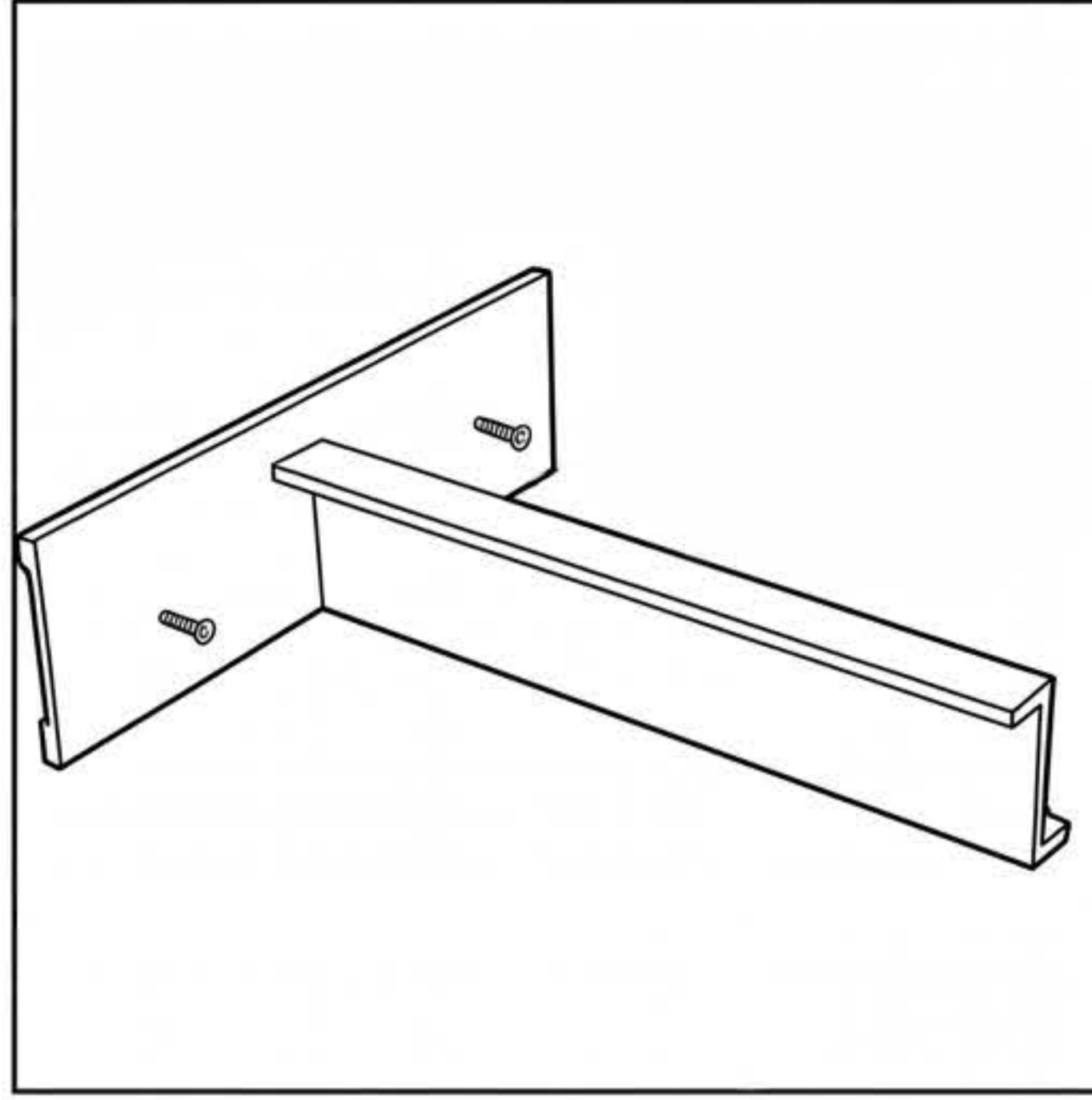
Assembly service available: **\$30** / item. Assembled products are available for warehouse pickup only. Please scan the QR code to place your order.



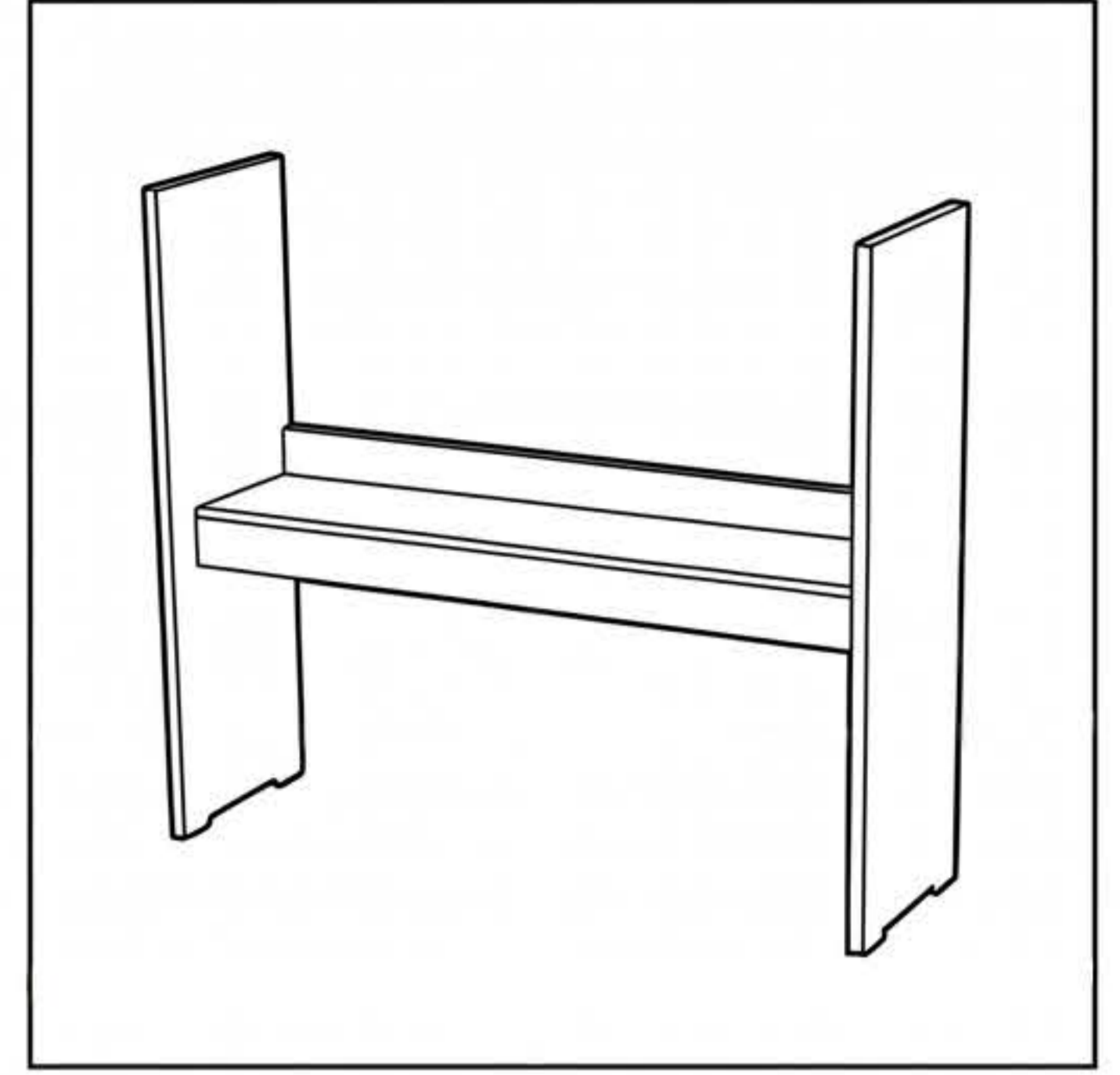
ASSEMBLY INSTRUCTIONS



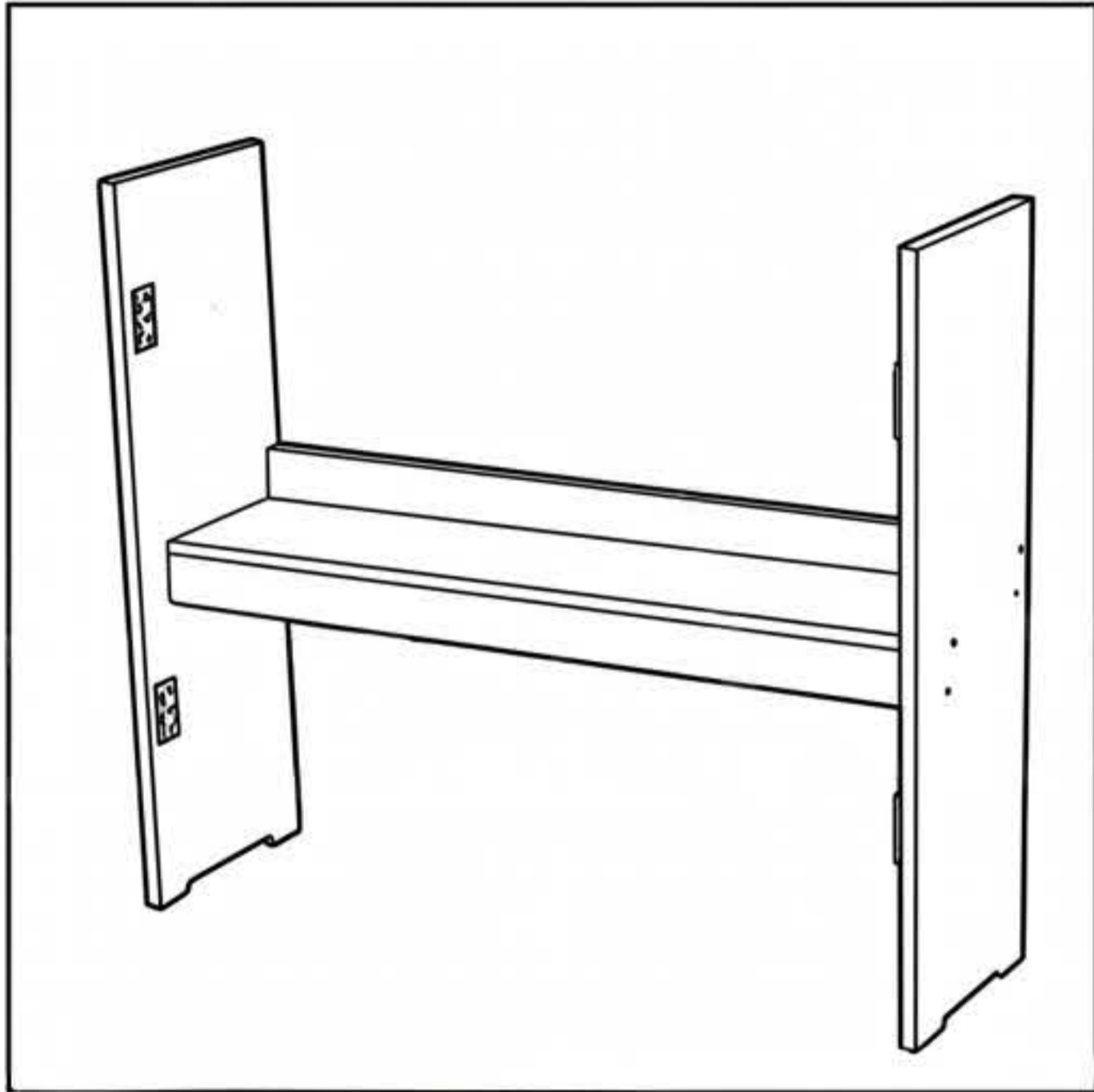
1. Attach front and rear baffles to the shelves using large screws.



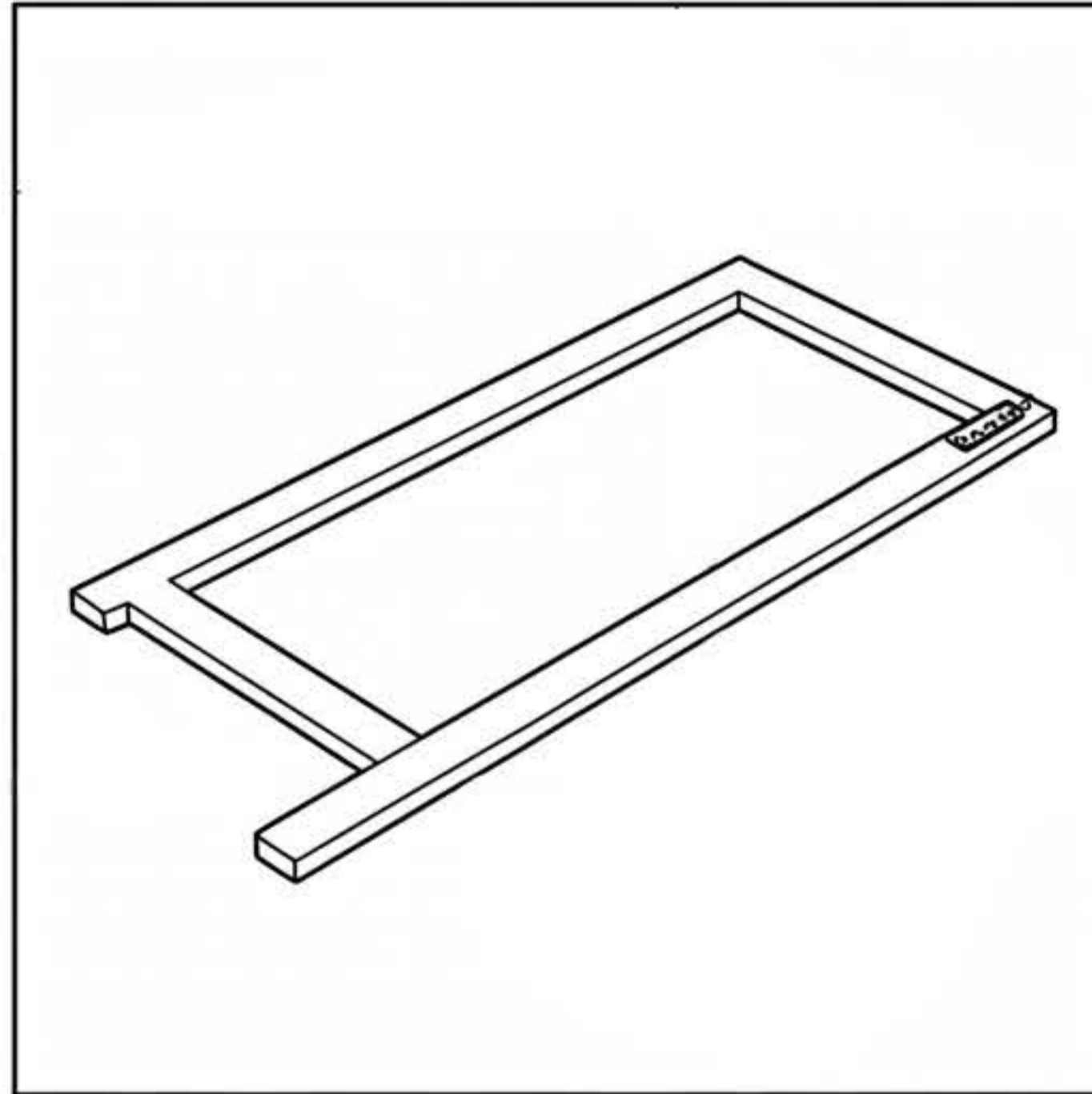
2. Attach table legs using large screws.



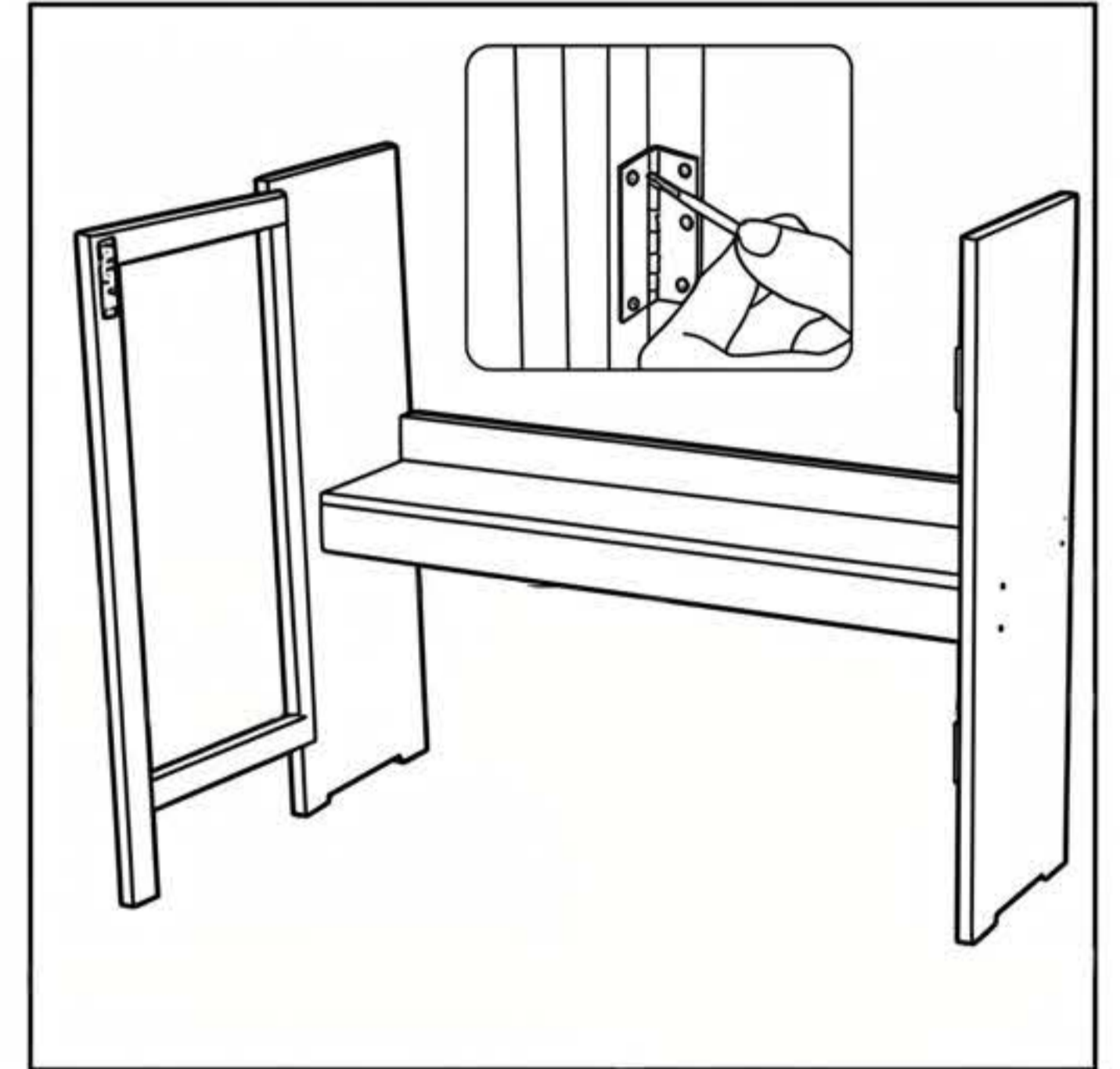
3. Attach the remaining table legs using large screws.



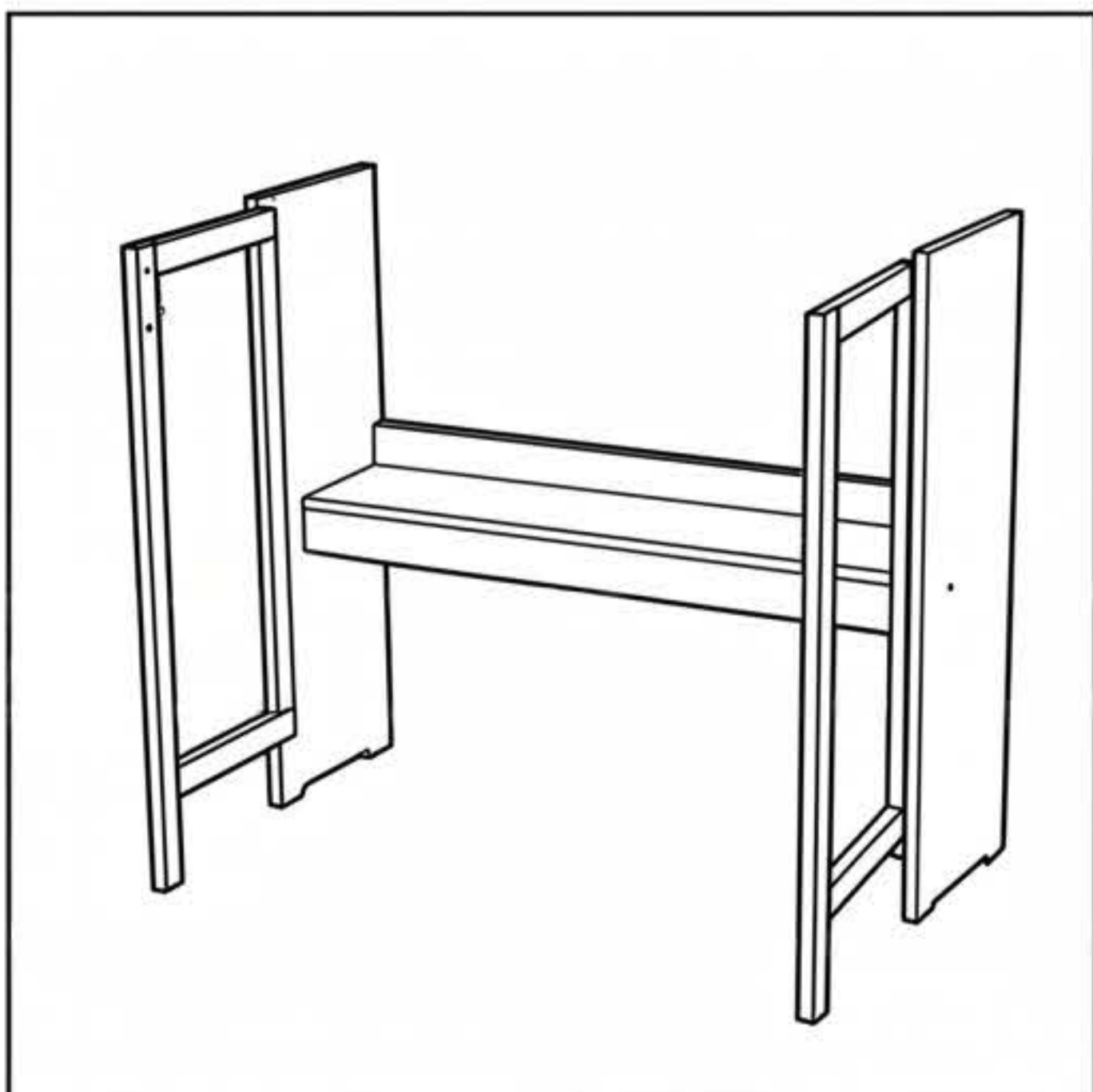
4. Install the hinges using small screws.



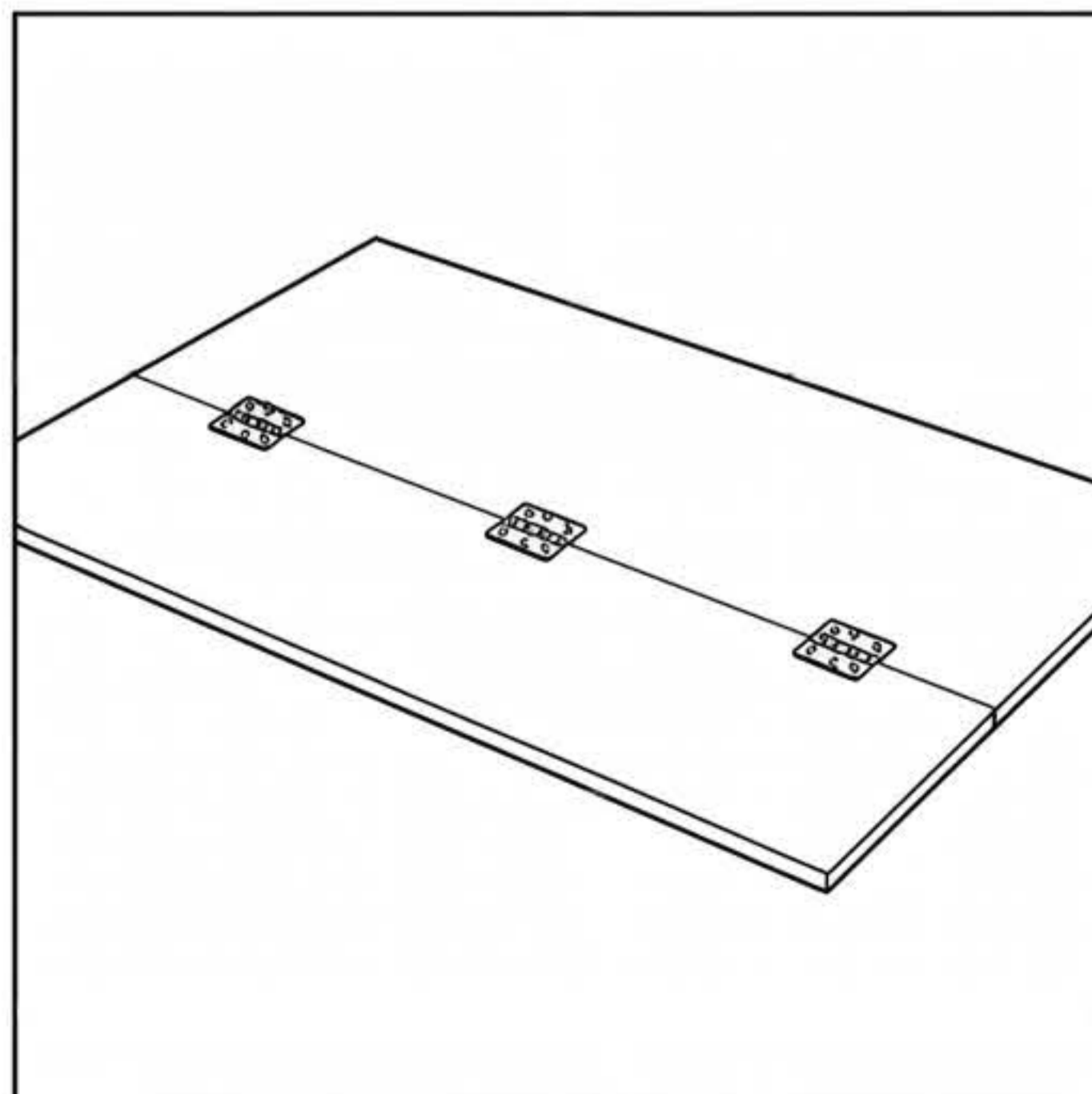
5. Assemble the brackets and latches using small screws.



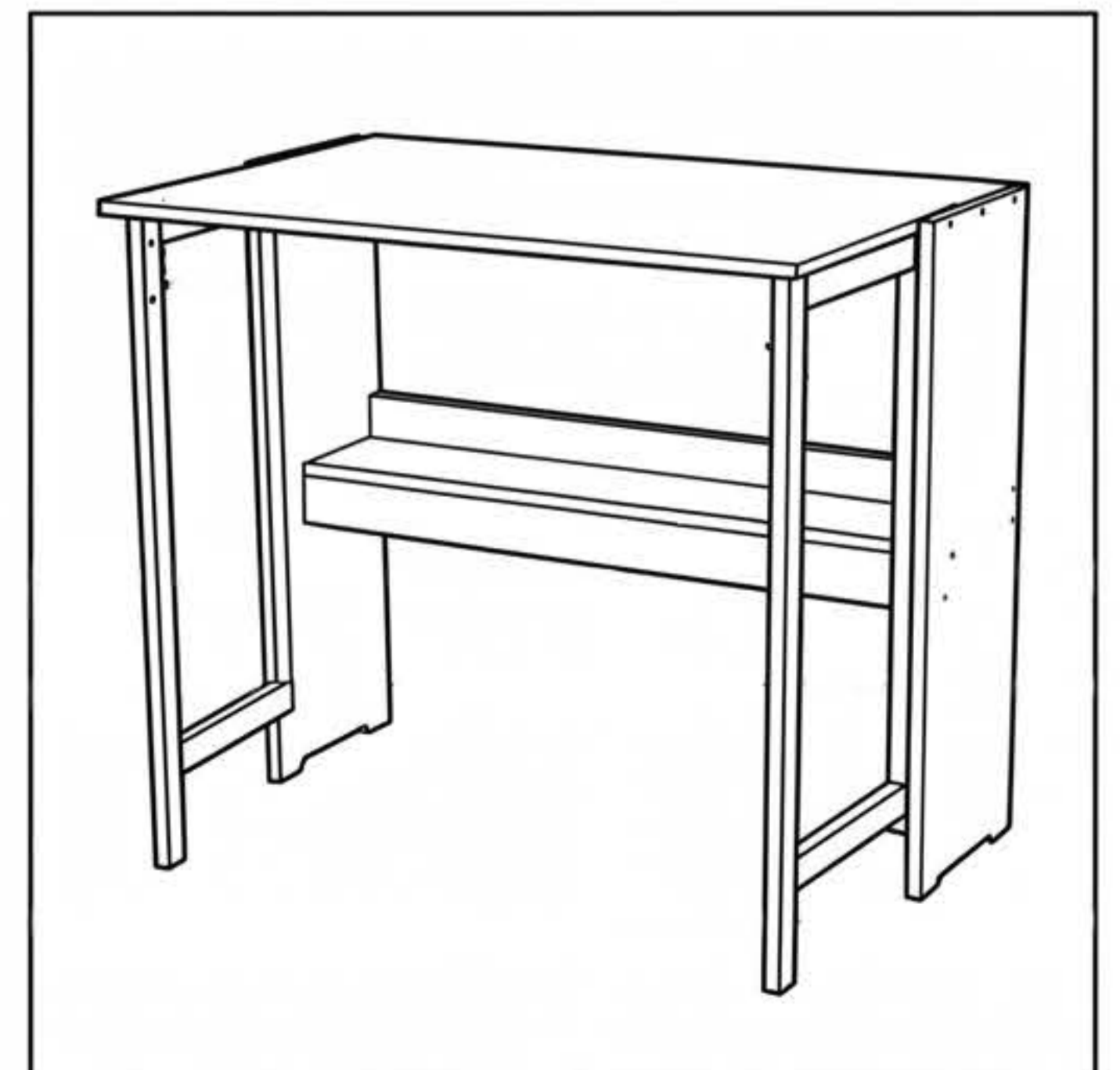
6. Attach the bracket to the table leg with small screws (align with the bottom before tightening the screws).



7. Similarly, install the other bracket.



8. Attach hinges to large and small table panels with small screws (install side hinges first, align evenly, then the center hinge and tighten all).



9. Attach the large and small table panels to the table legs with large screws.