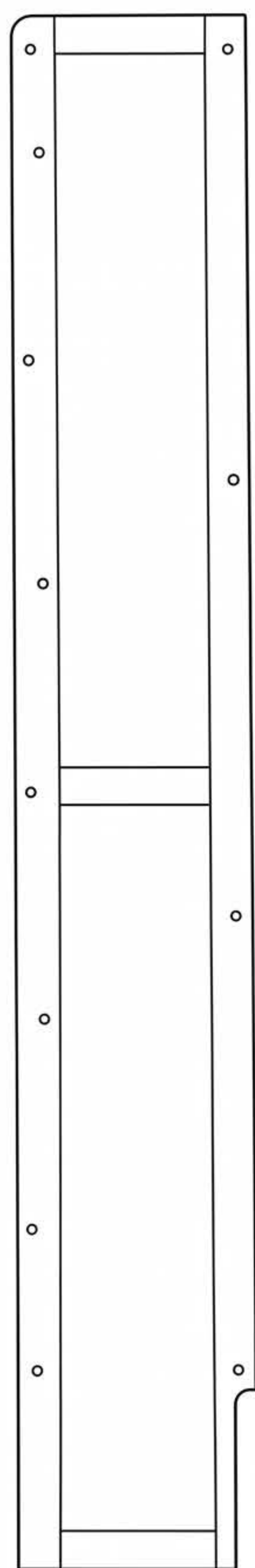


# SOCE067-17CM

## Installation Instruction

### Parts List (Example: 3-Door Model)



Side Frame x 2



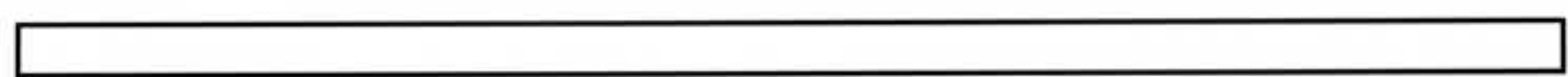
Plastic Stopper  
(Left) x 3



Plastic Stopper  
(Right) x 3



Rail A x 4



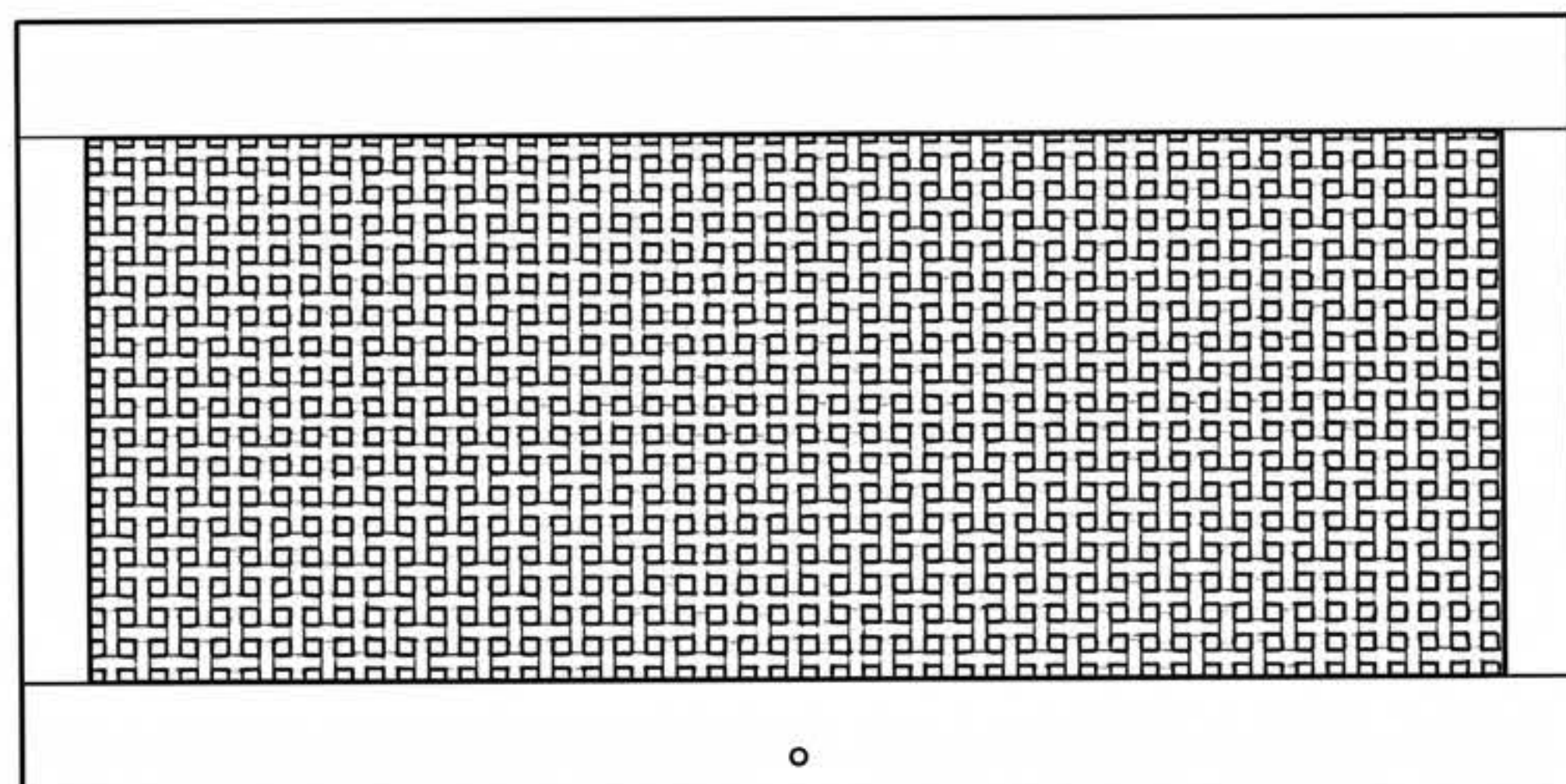
Rail B x 6 (Shorter than Rail A)



Back Panel x 3



Top Panel x 1



Door Panel x 3



Large  
Screw



Small  
Screw



Flat Head  
Screw



Pivot Pin



Door Catch



Door Handle



Assembly Tool

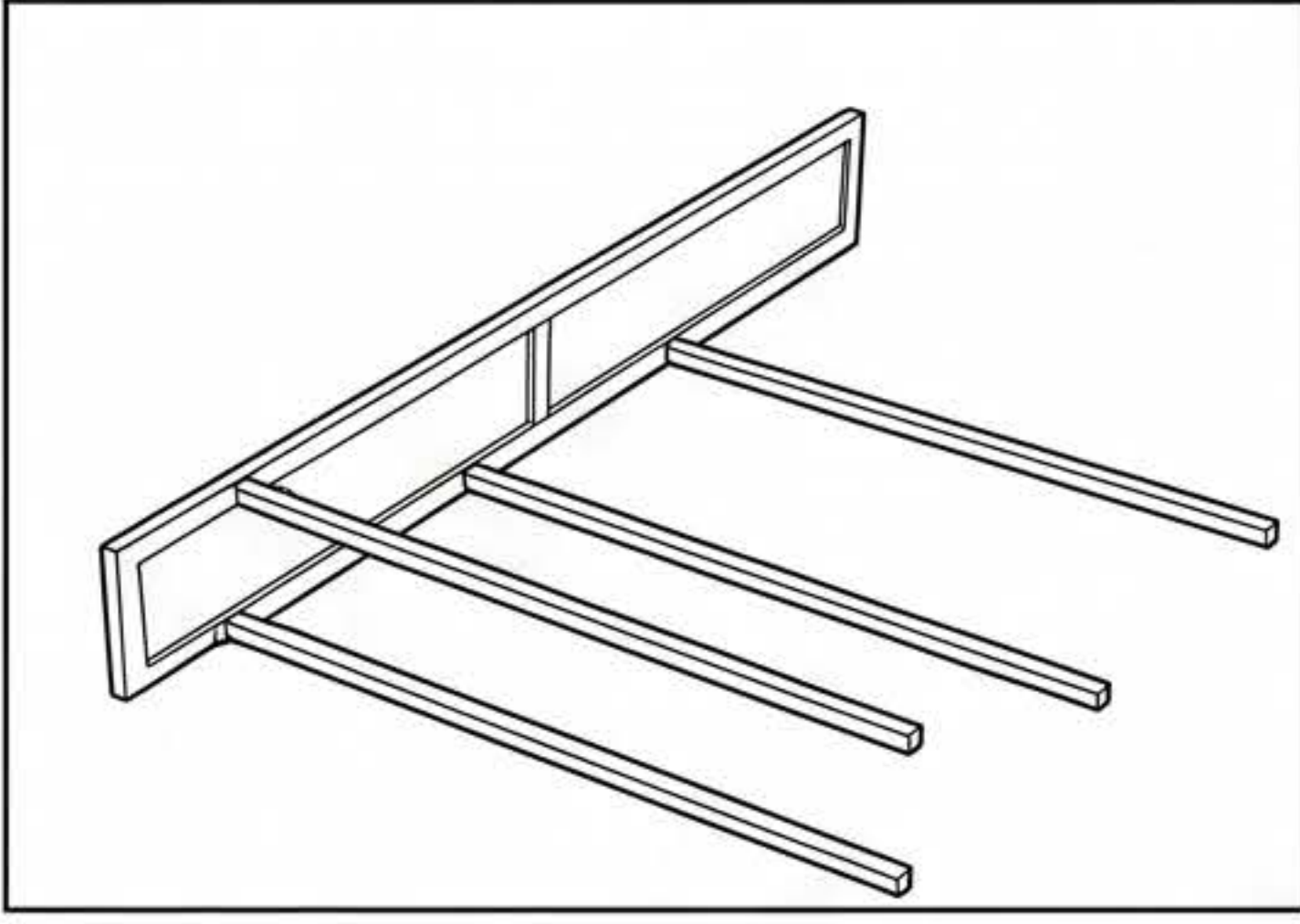


Anti-Tip Bracket

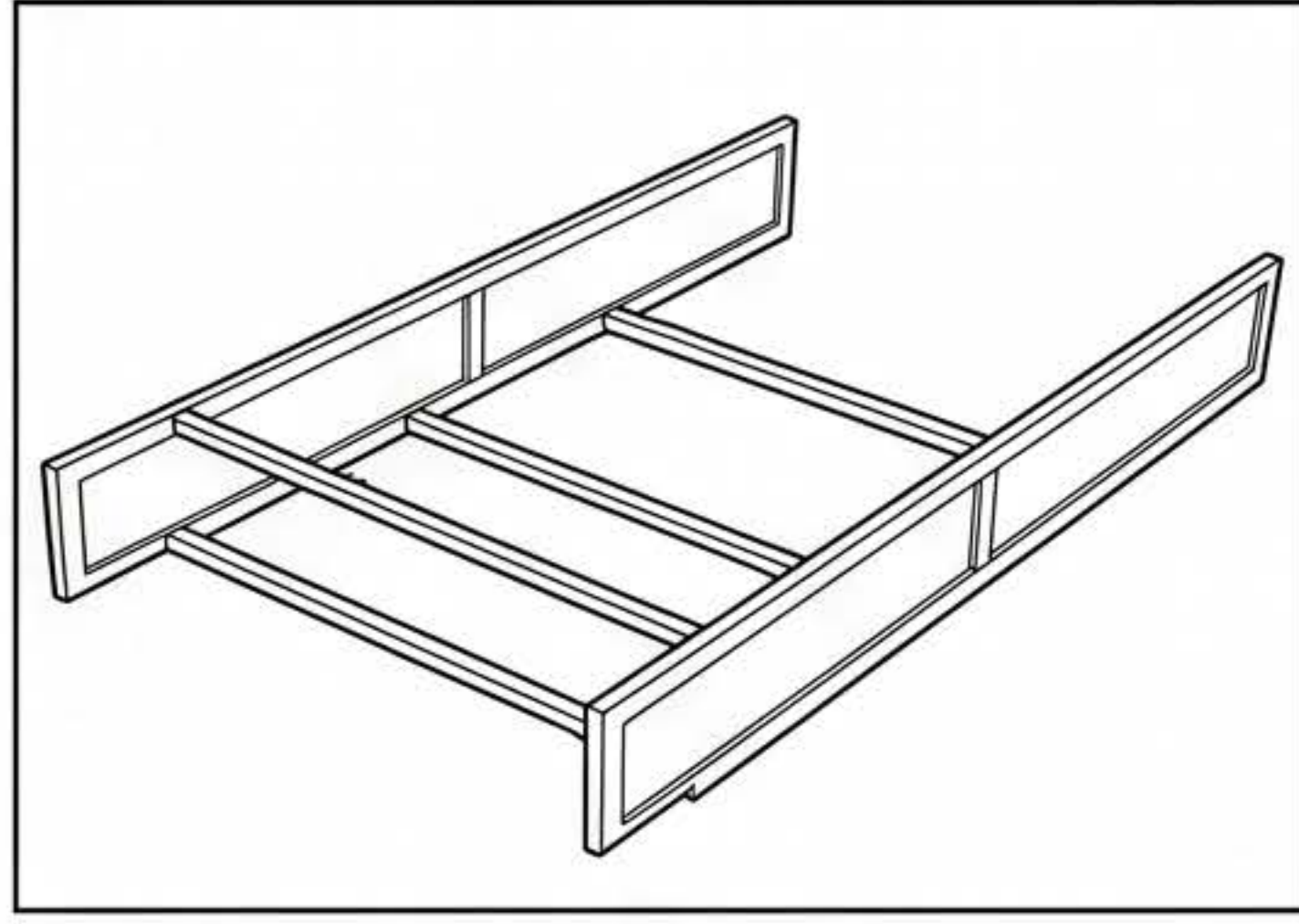


Double-Sided  
Tape

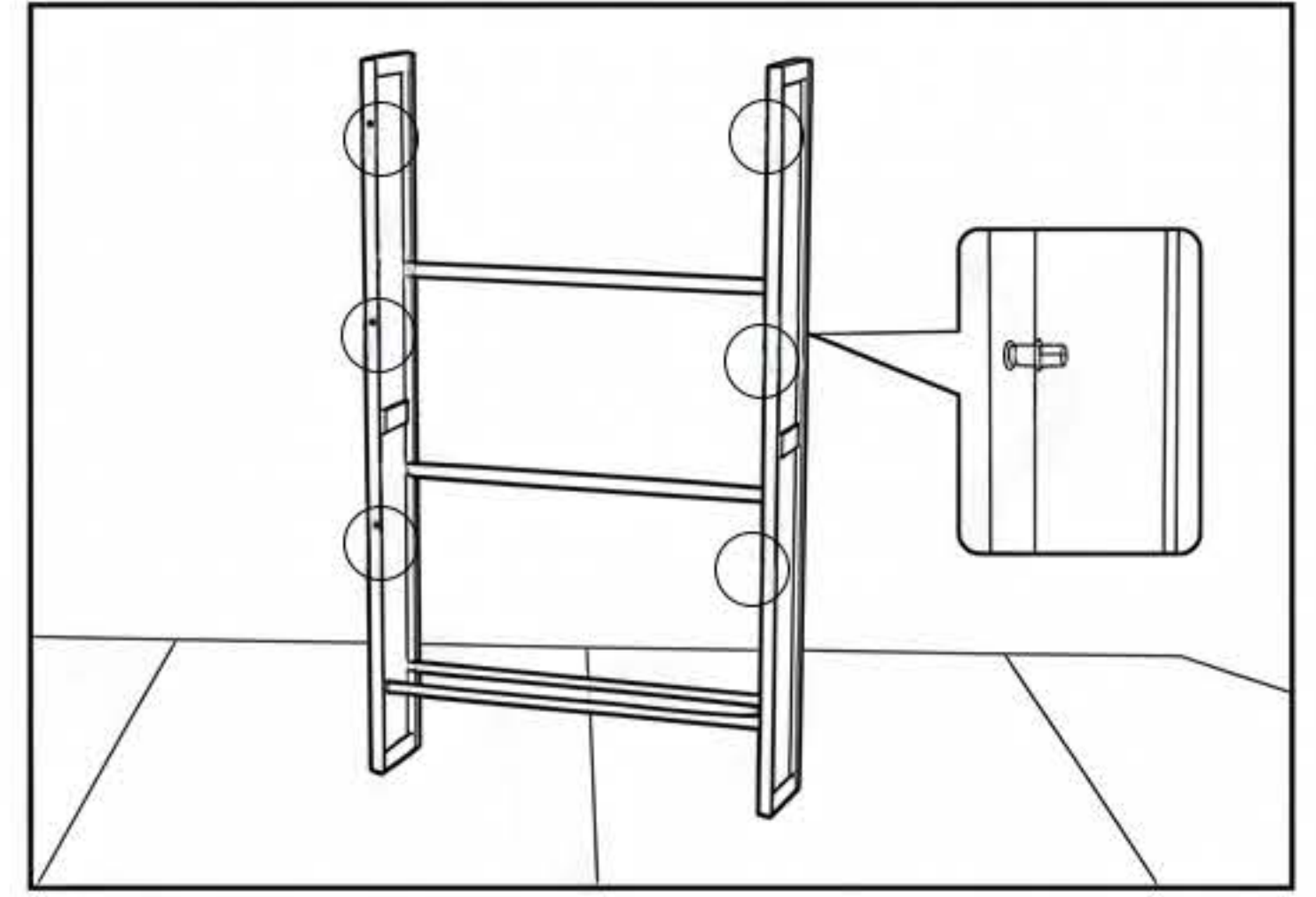
# ASSEMBLY INSTRUCTIONS



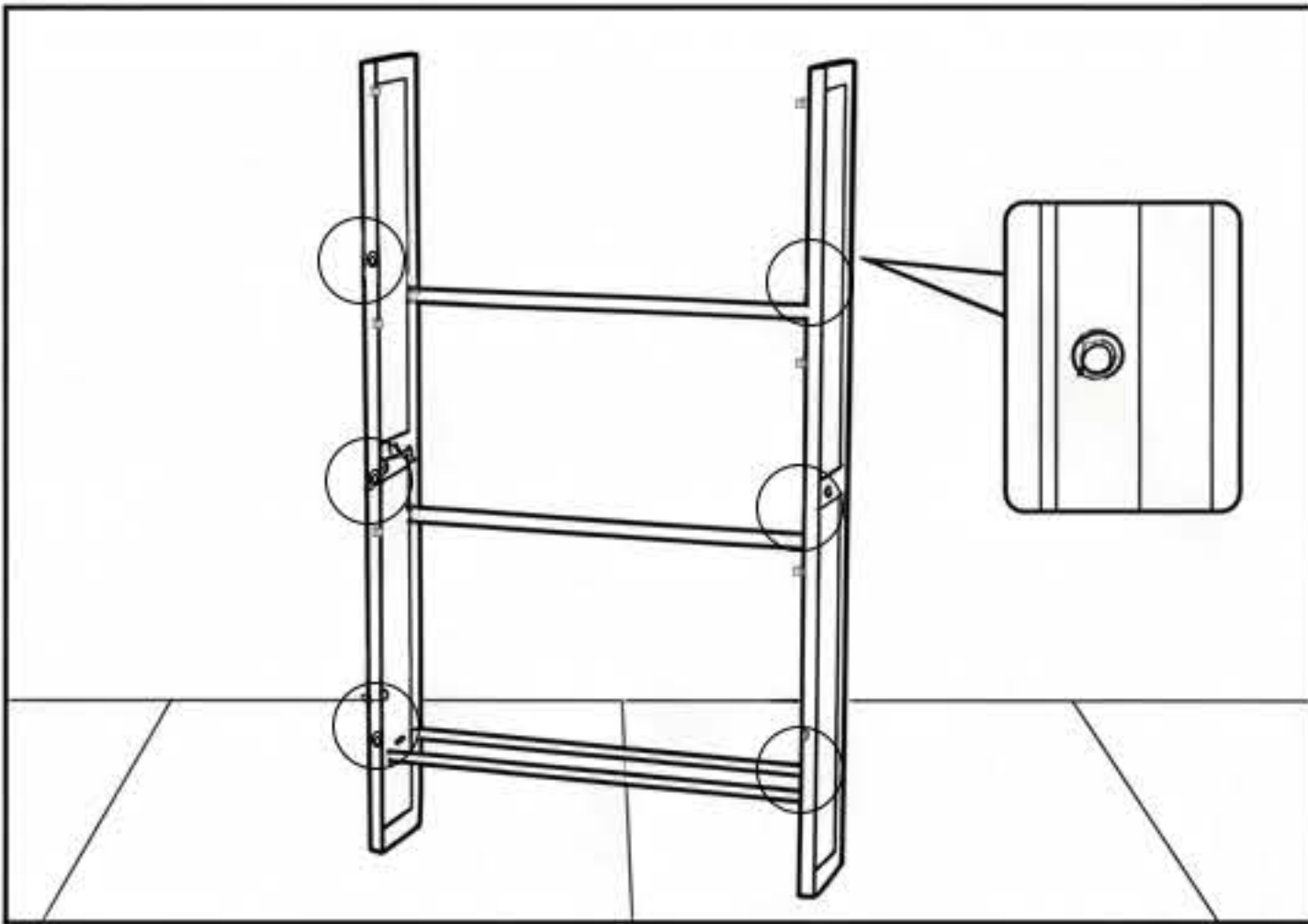
1. Retrieve one side frame and crossbar A. Secure using large screws.



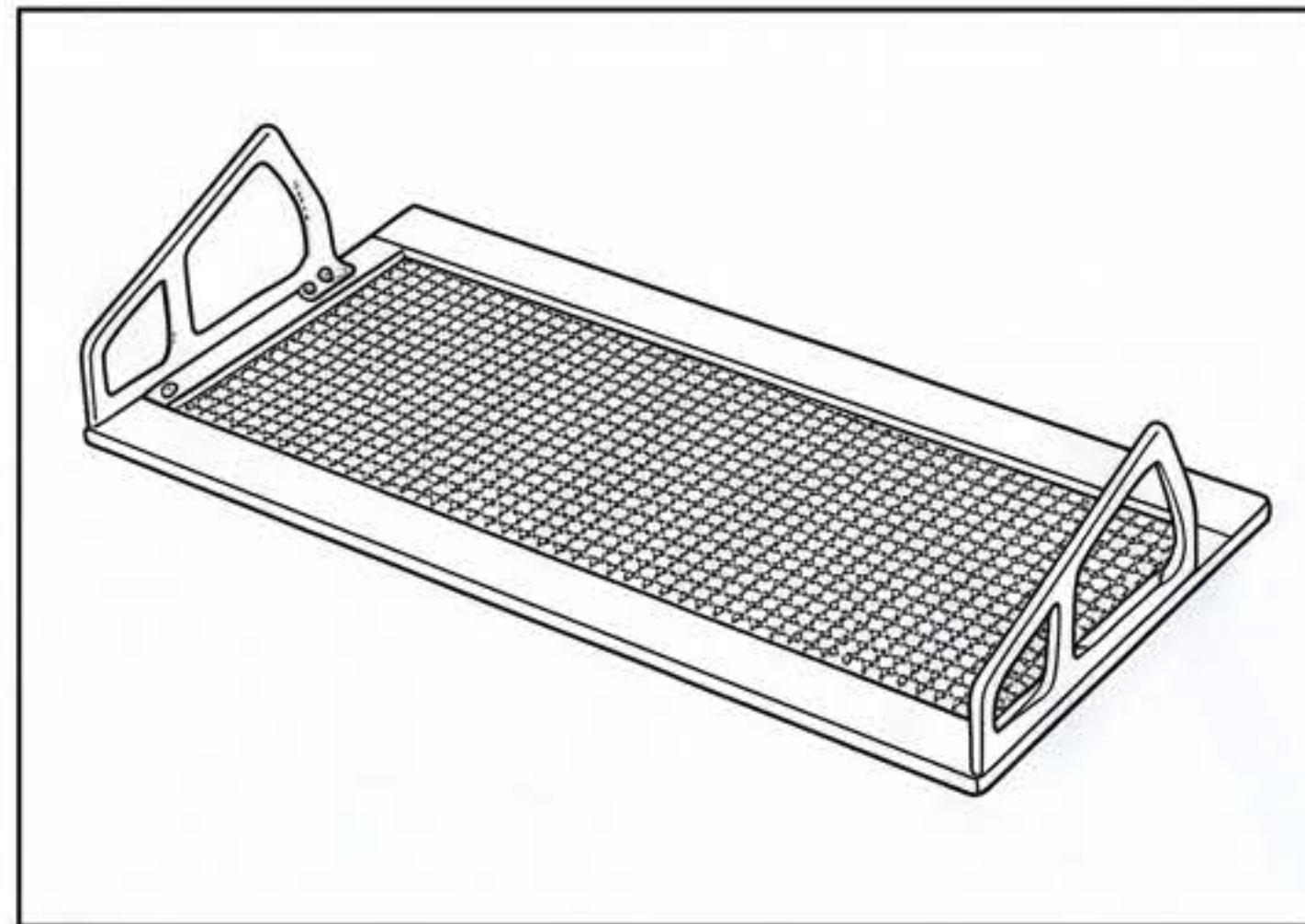
2. Retrieve the other side frame. Fix in place with large screws.



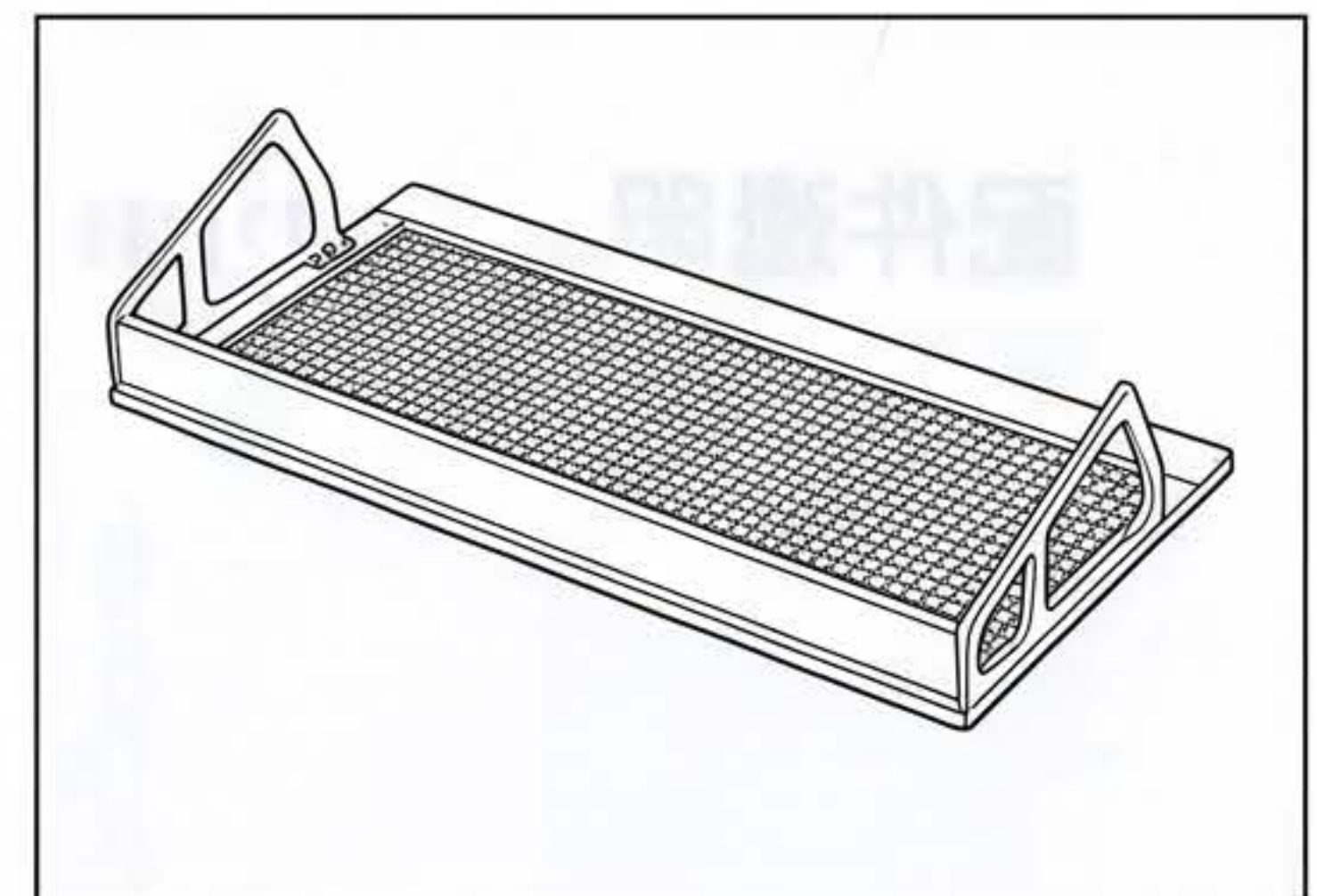
3. Retrieve the door pin-bars. Insert into the holes on the side frames.



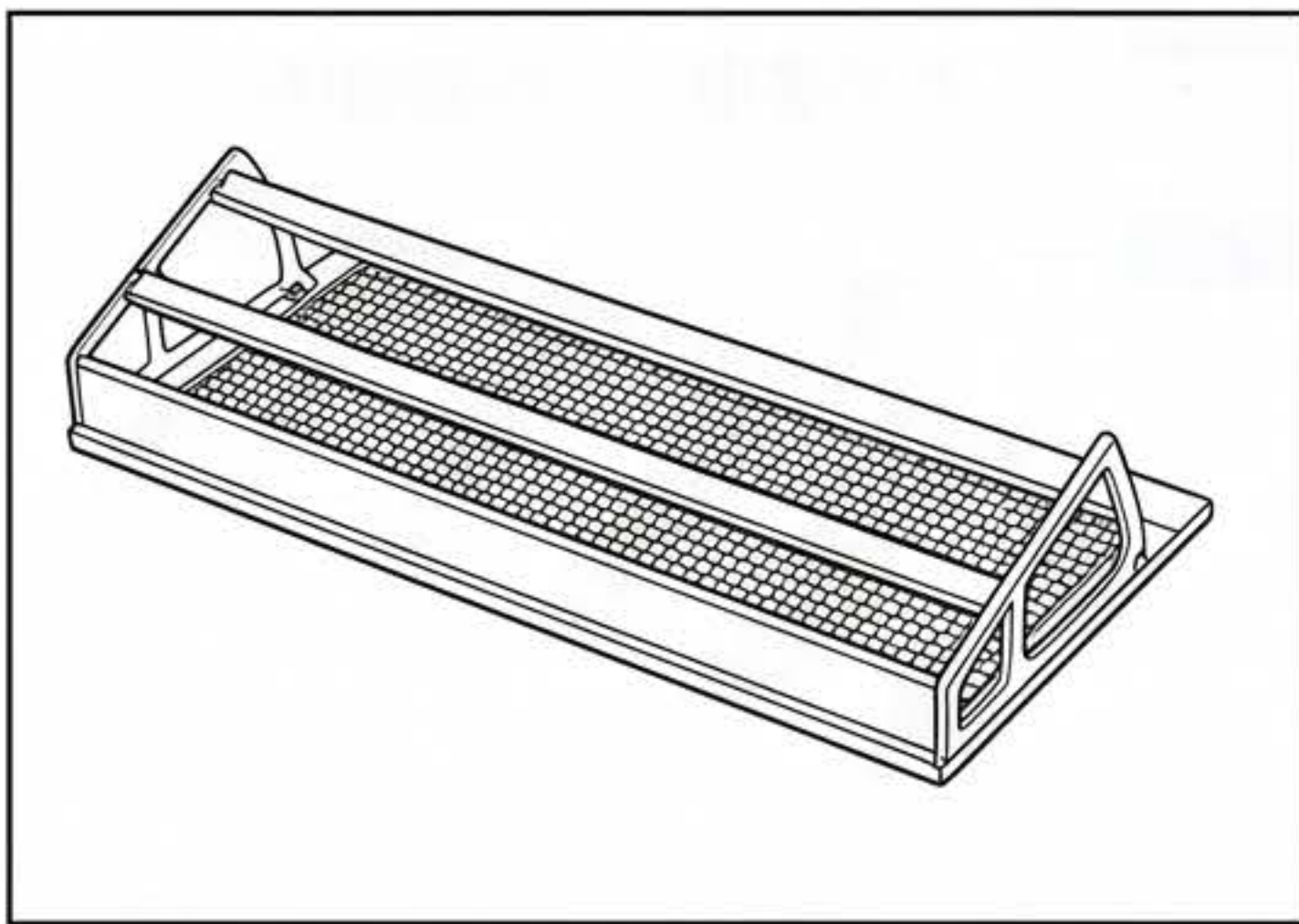
4. Retrieve the slider interfaces. Insert into the holes on the side frames.



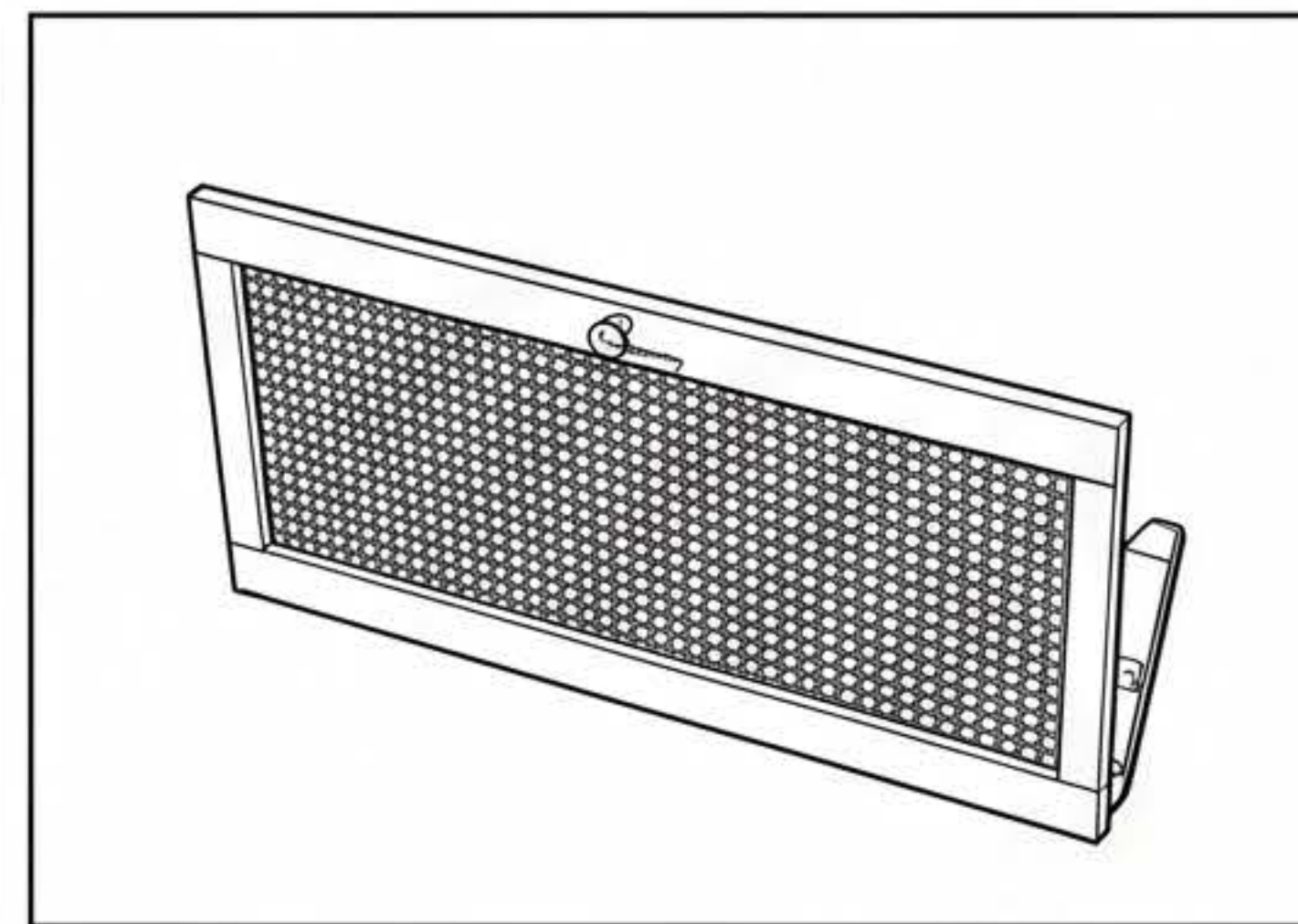
5. Retrieve the door panel and the right plastic baffle. Install using small screws.



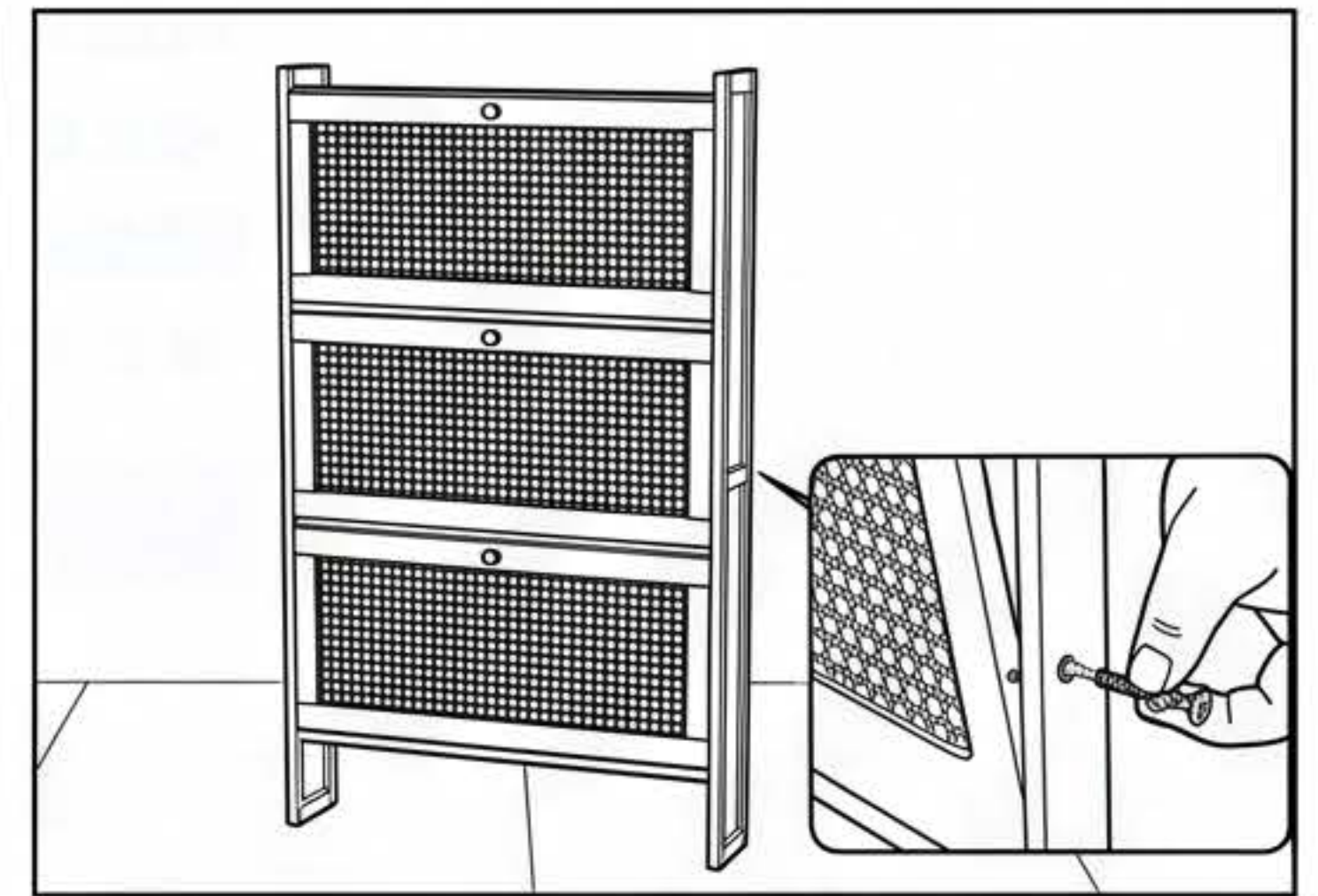
6. Retrieve the baffle. Install with small screws.



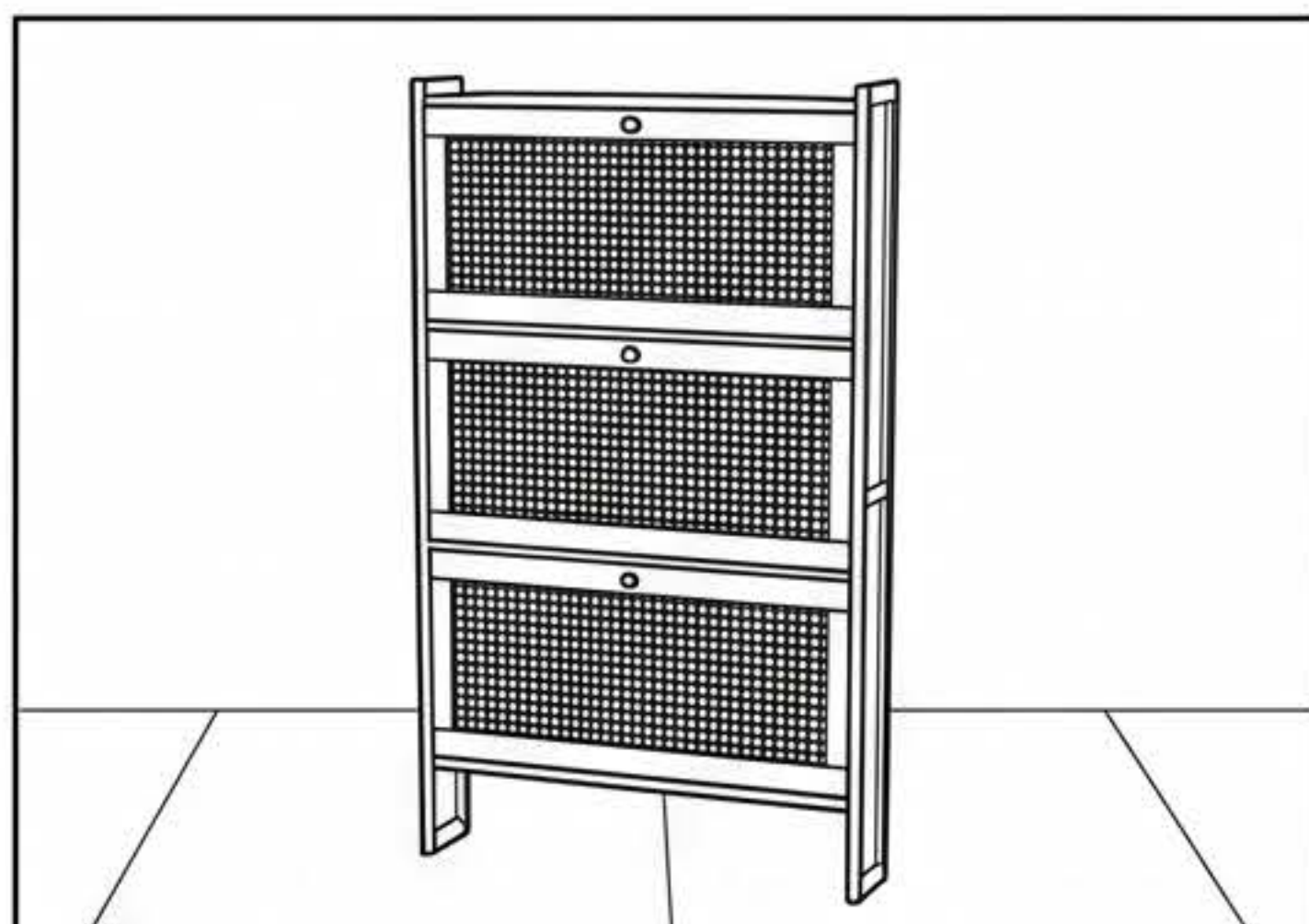
7. Retrieve crossbar B. Secure with large screws.



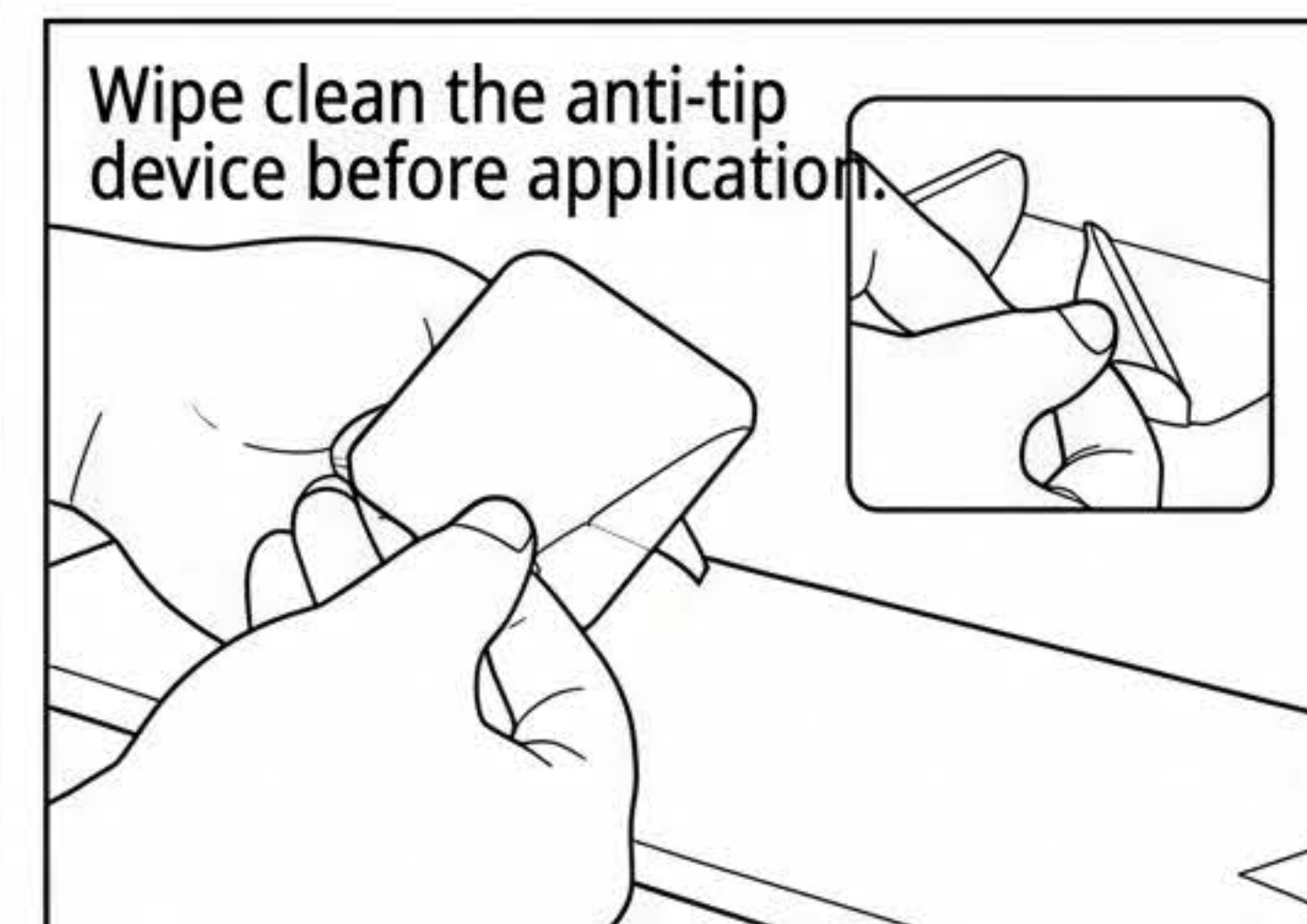
8. Retrieve the door handles. Install with flat-head screws.



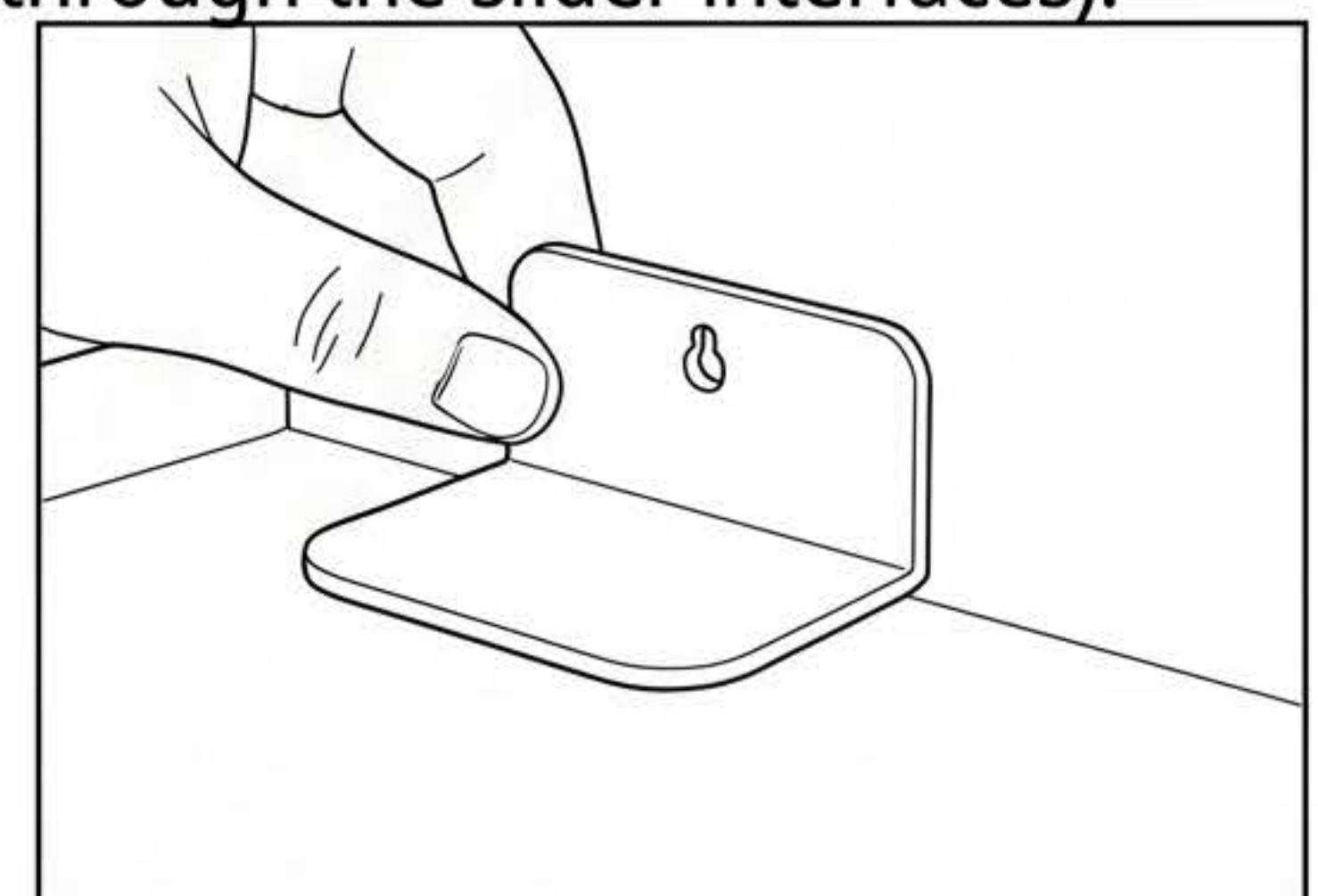
9. Then, secure the door panels to the side frames using large screws (ensure the large screws pass through the slider interfaces).



10. Retrieve the top shelf panel. Secure with large screws.



11. Wipe clean the anti-tip device before application. Peel the double-sided tape and attach to the anti-tip device (both back and front surfaces).



12. Then, fix to the wall as shown (ensure the wall and shoe cabinet surfaces are clean before attaching).