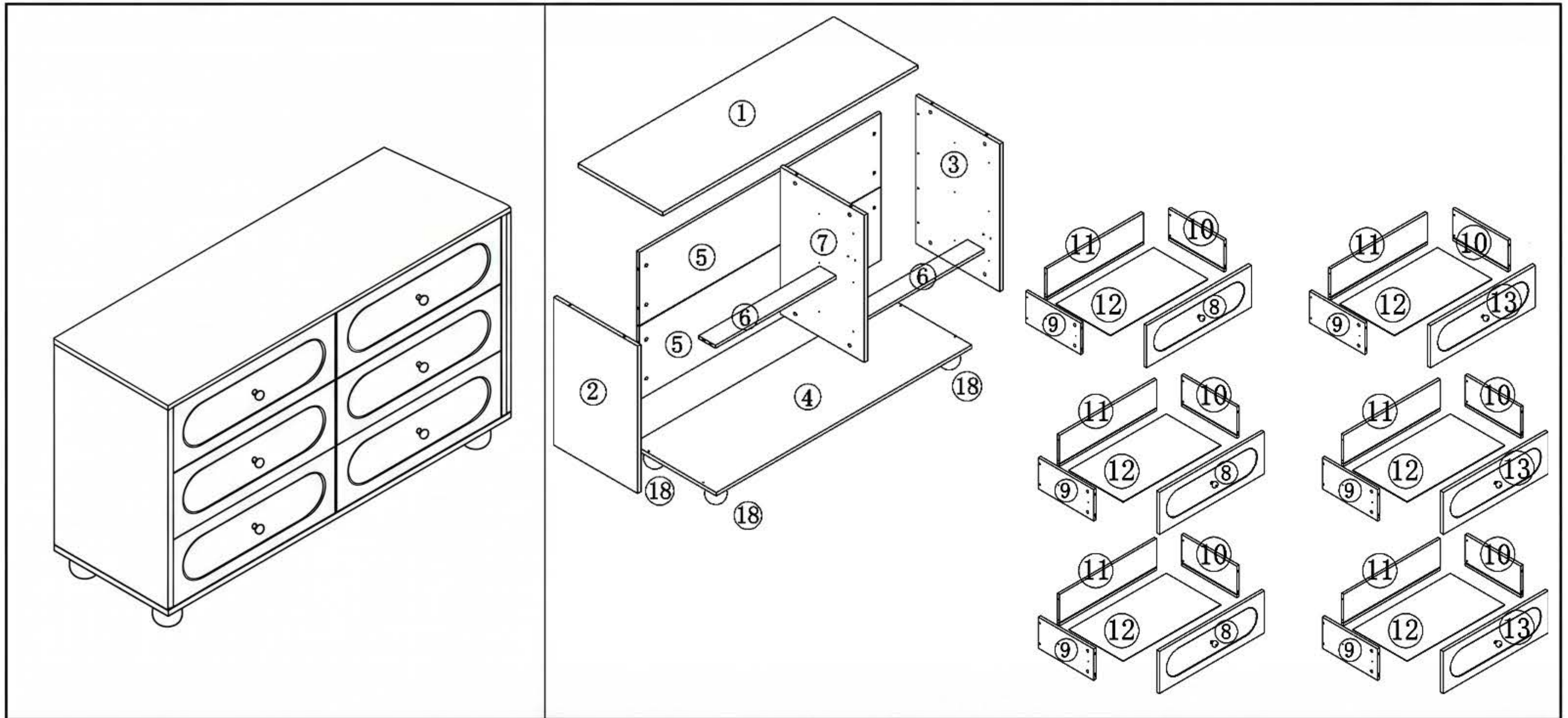


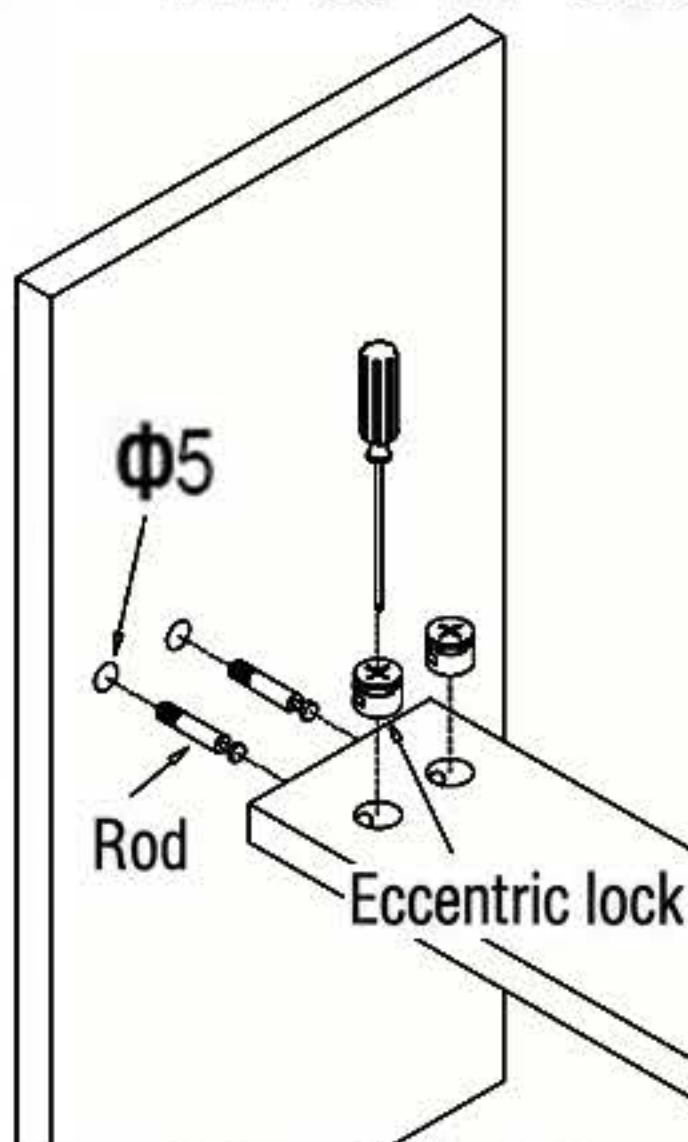
CBD033 Drawer Dresser #Instruction Manual



- ① Top Panel (1 piece) ② Left Side Panel (1 piece) ③ Right Side Panel (1 piece) ④ Bottom Panel (1 piece) ⑤ Back Panel (2 pieces)
 ⑥ Pull Bar (2 pieces) ⑦ Center Panel (1 piece) ⑧ Left Drawer Fronts (3 pieces) ⑨ Left Drawer Sides (6 pieces) ⑩ Right
 Drawer Sides (6 pieces) ⑪ Drawer End (6 pieces) ⑫ Drawer Bottoms (6 pieces) ⑬ Right Drawer Fronts (3 pieces) ⑱ Feet (4 pieces)

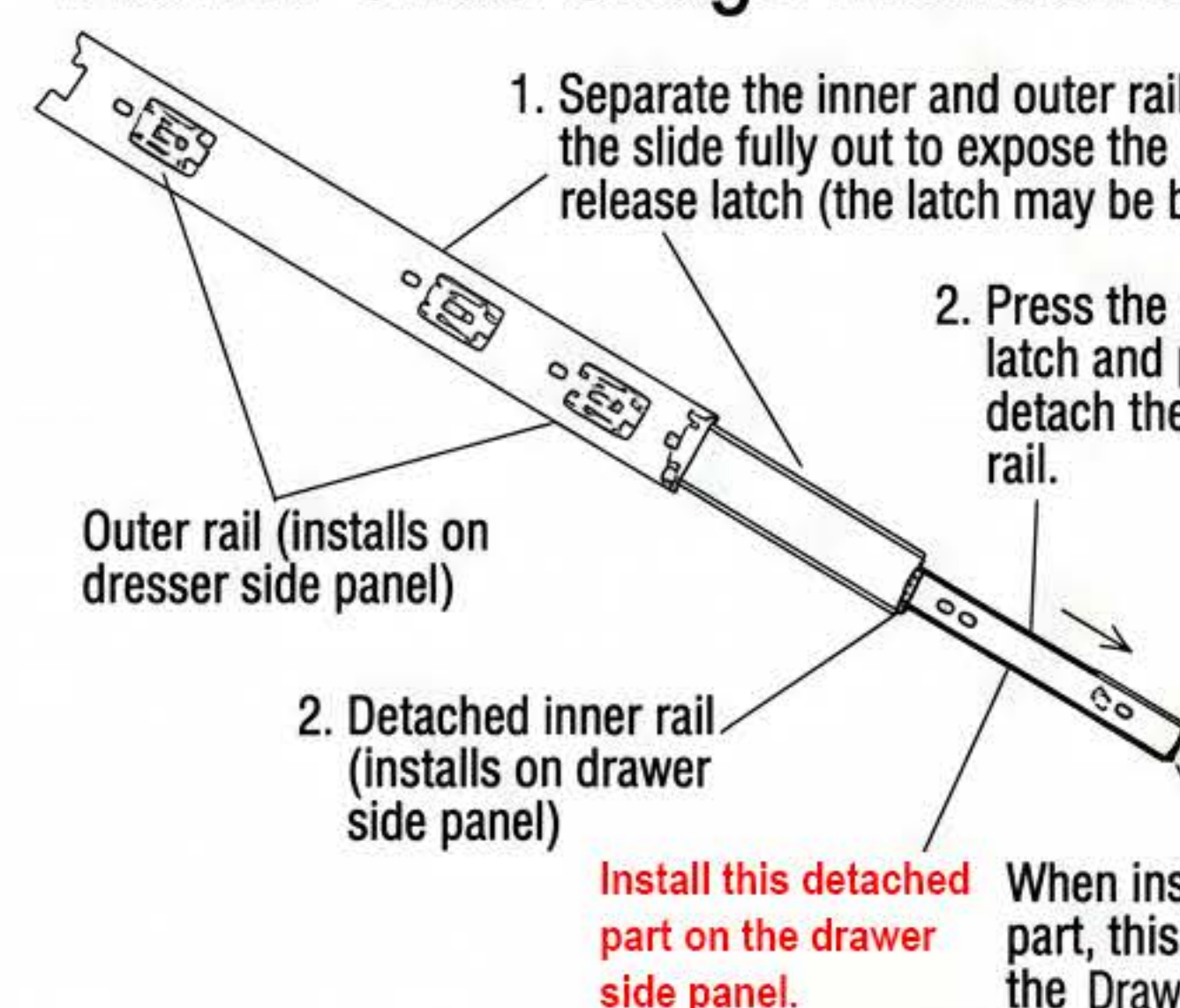
	Hardware Pack 1						Hardware Pack 2					
	A	B	C	D	E	F	I	G	H	J	K	L
Name	3-in-1 Connector	Silent Drawer Slide	Self-Tapping Screw	Self-Tapping Screw	Handle Screw	Handle	Wood Thread Screw	Joining Screw	Wooden Dowel	3-in-1 Connector with Sleeve	Foot Pin	Non-slip Pad
Figure												
Specs	Φ12/L-40	10"	M3.5*12	M3.5*35	M4*18	-	Φ5*35	M7*58	Φ8*40	Φ12/L-40	-	-
Qty	58 sets	6 pairs	70 pcs	26 pcs	7 pcs	6 pcs	5 pcs	2 pcs	3 pcs	5 sets	3 pcs	7 pcs

Three-in-one Usage Instructions



1. The side panel hole has a diameter of $\Phi 5$. Screw the connecting rod directly into this hole;
2. Insert the other end of the connecting rod into the side hole of the adjacent panel. Place the eccentric cam lock into the $\Phi 12$ diameter hole. Ensure the arrow on the cam lock points towards the connecting rod.
3. Use a Phillips screwdriver to tighten the eccentric cam lock clockwise.

Drawer Slide Usage Instructions



1. Separate the inner and outer rails. Pull the slide fully out to expose the plastic release latch (the latch may be black).

2. Press the release latch and pull to detach the inner rail.

Outer rail (installs on dresser side panel)

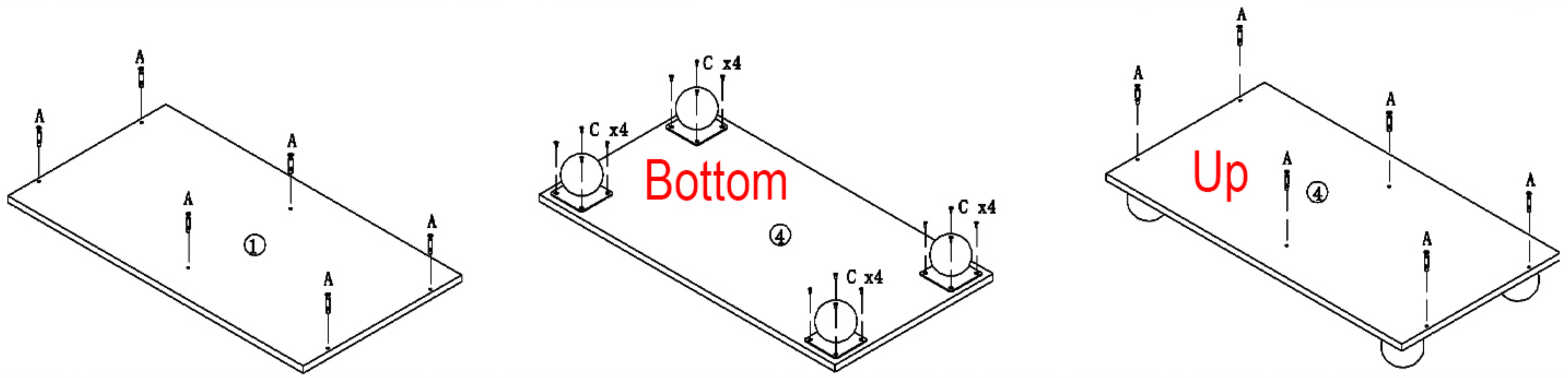
2. Detached inner rail (installs on drawer side panel)

Install this detached part on the drawer side panel.

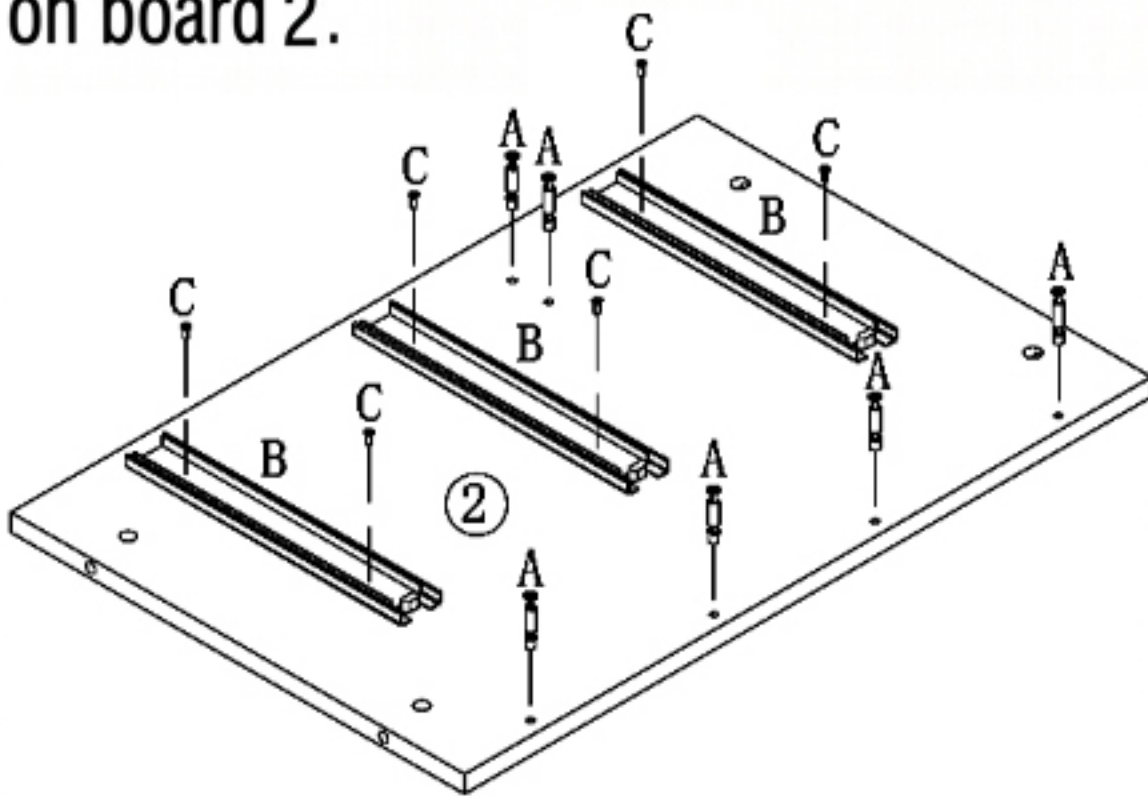
When installing this part, this end must face the Drawer front.

Install Steps

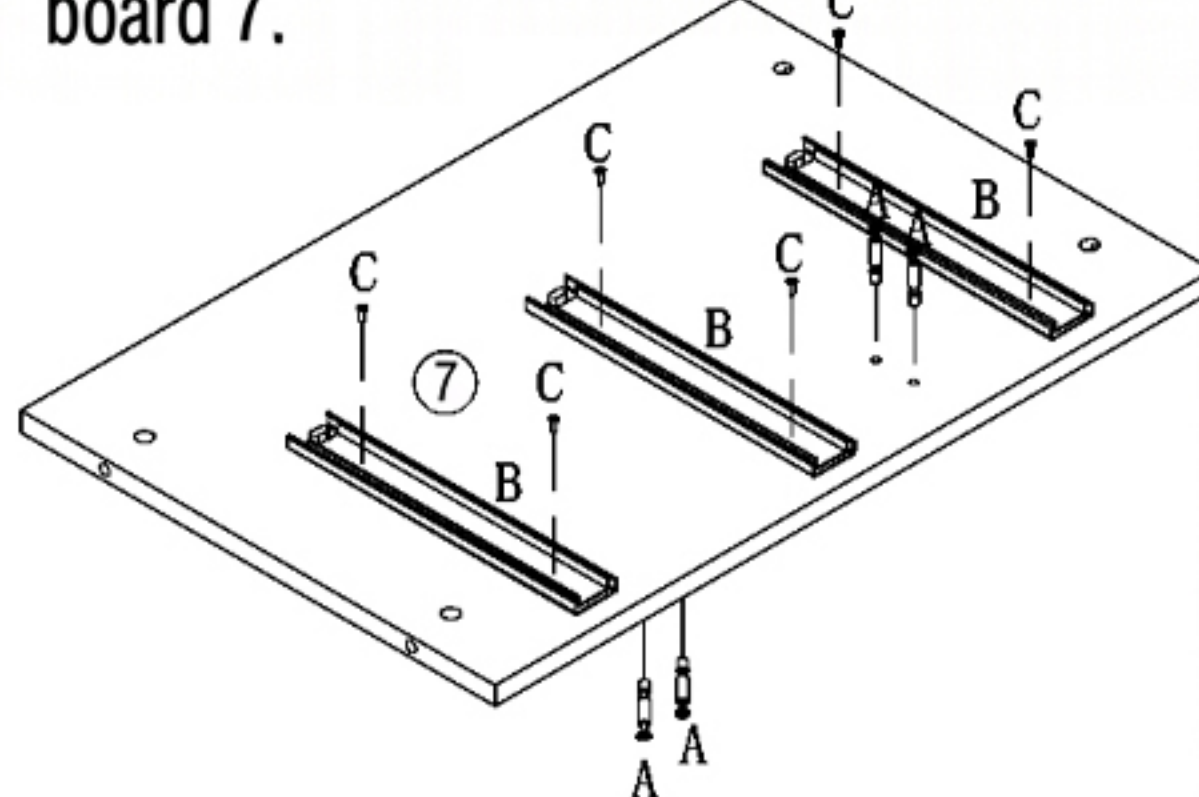
Step 1: Install A Rod on board 1; Install feet (4 pieces) and A Rod on board 4.



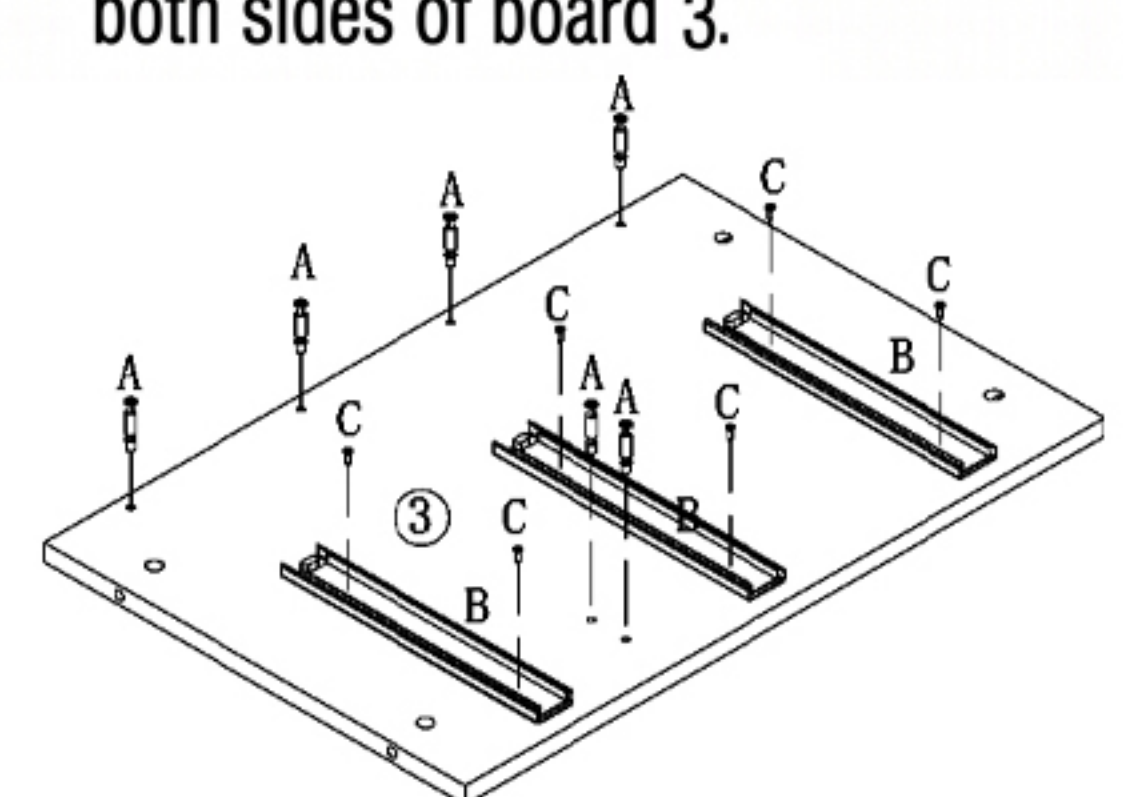
Step 4: Install A Rod and drawer slides on board 2.



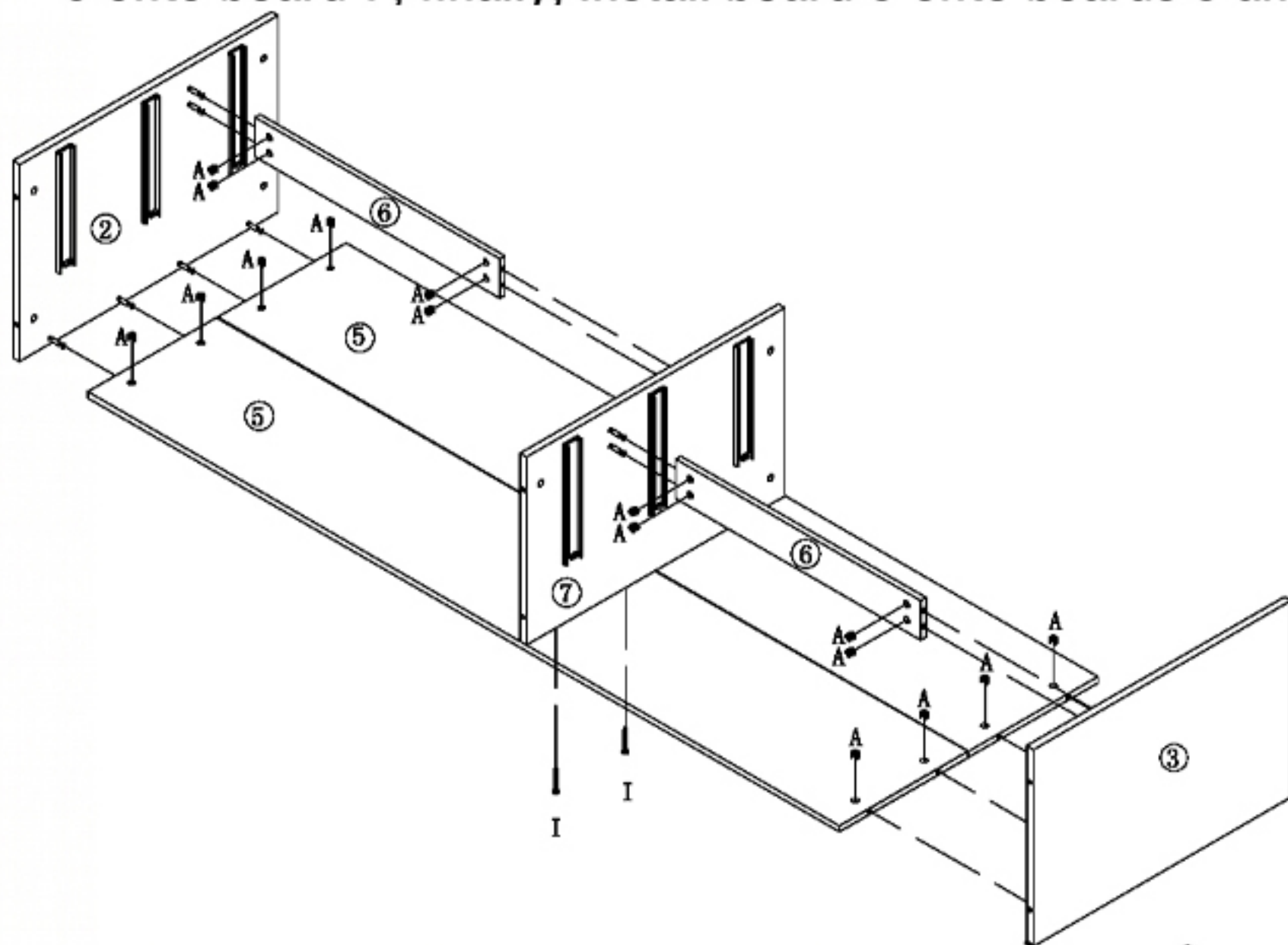
Step 2: Install A Rod and drawer slides on board 7.



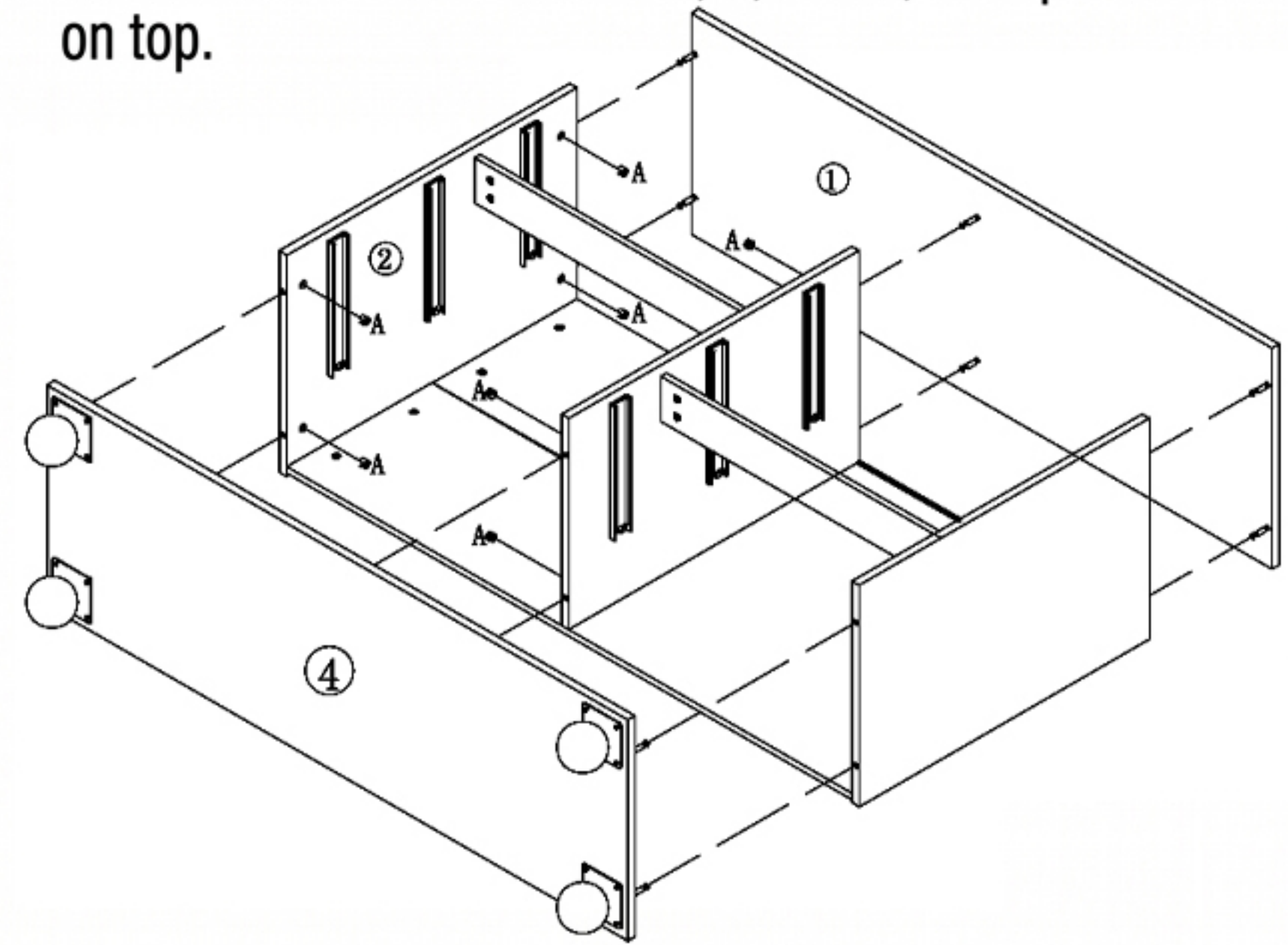
Step 3: Install A Rod and drawer slides on both sides of board 3.



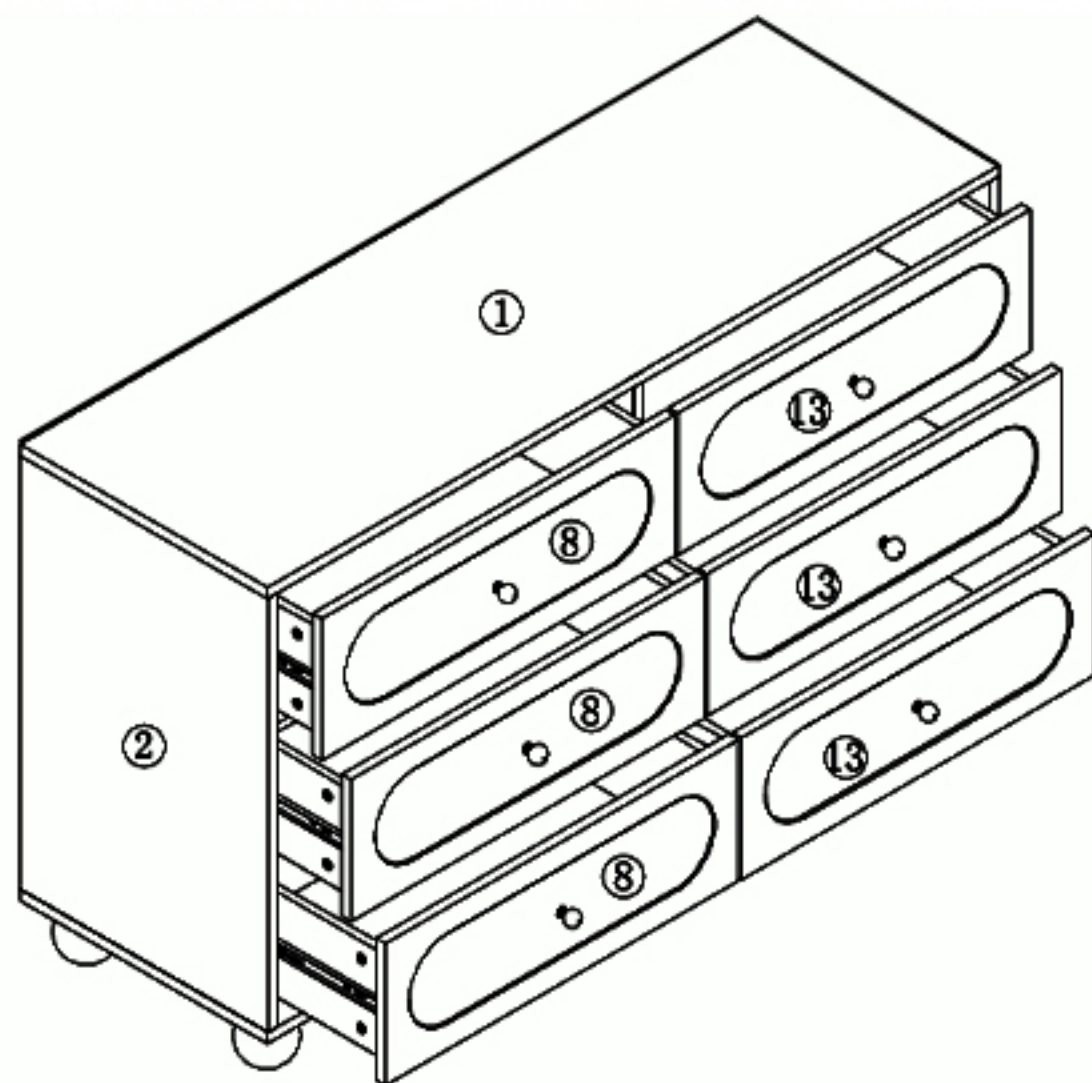
Step 5: First, install boards 5 (2 pieces) and one board 6 onto board 2; then connect board 7 to board 6; next, install the other board 6 onto board 7; finally, install board 3 onto boards 5 and 6.



Step 6: Install board 4 onto boards 2, 7, and 3; then place board 1 on top.



Step 8: Install the 6 drawers; place the movable panel on top.



Step 7: Assemble the 6 drawers. Board 8 is the left drawer front, and board 13 is the right drawer front.

