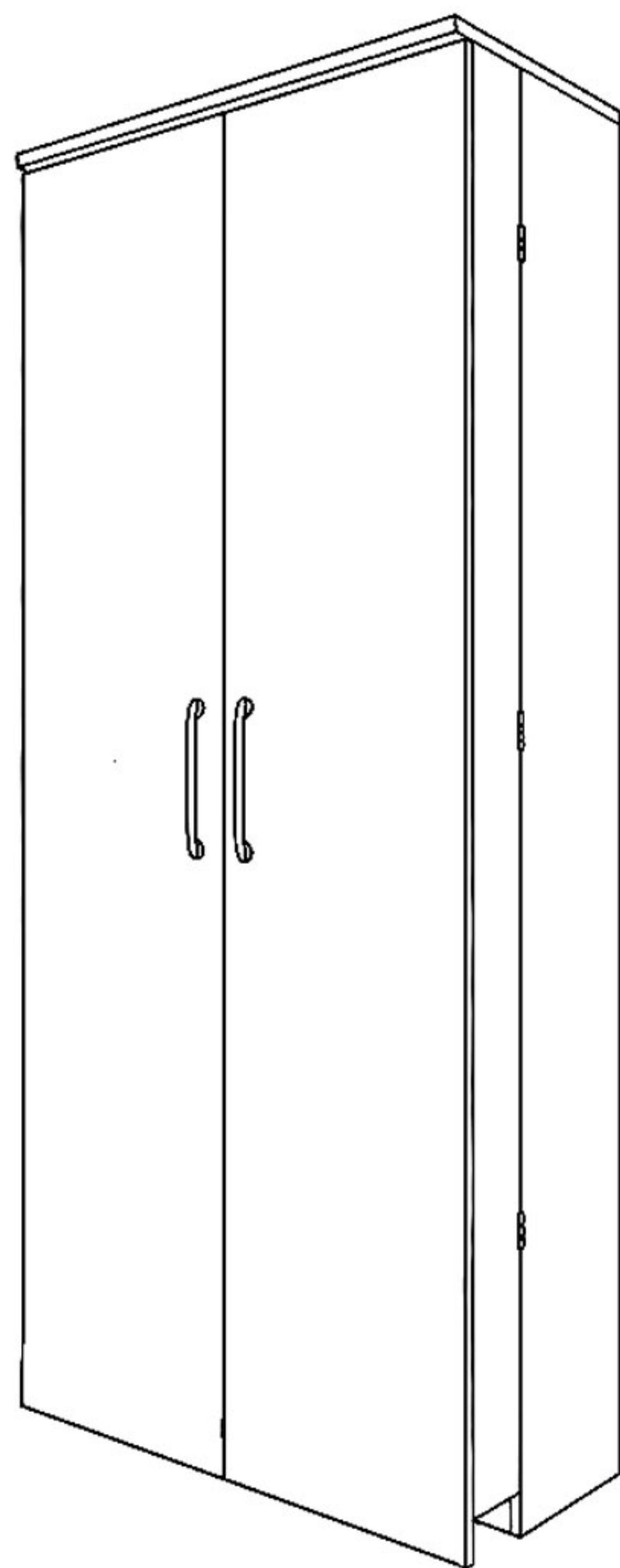
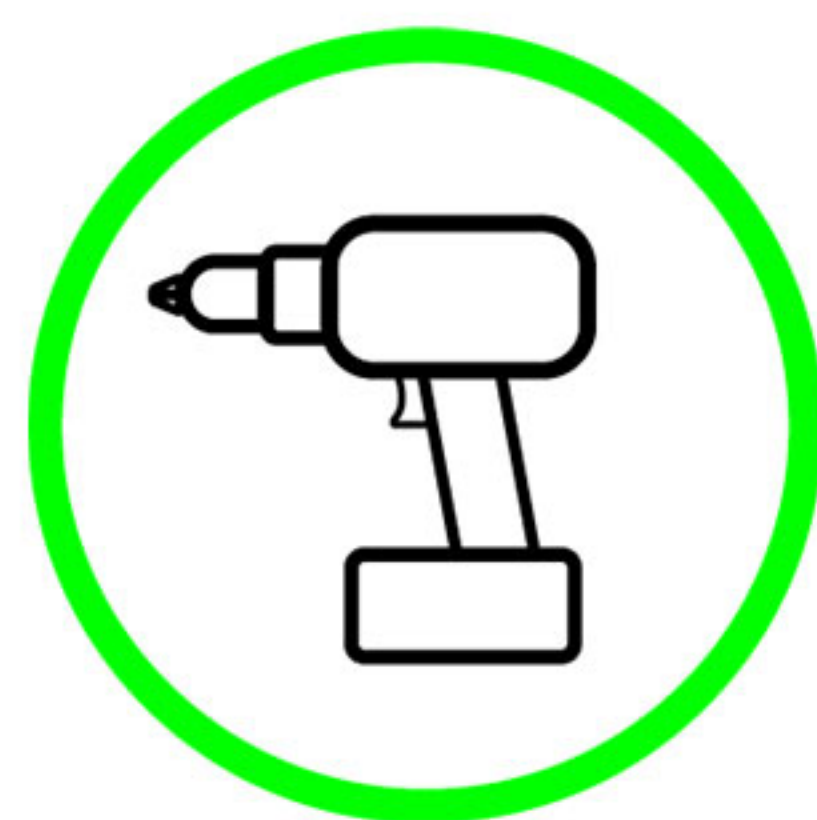


WCK024CM

Installation Instruction



Scan the code to purchase ES001



Please read this instruction manual carefully before installation and use.


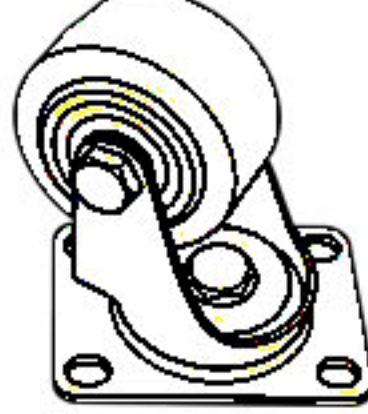
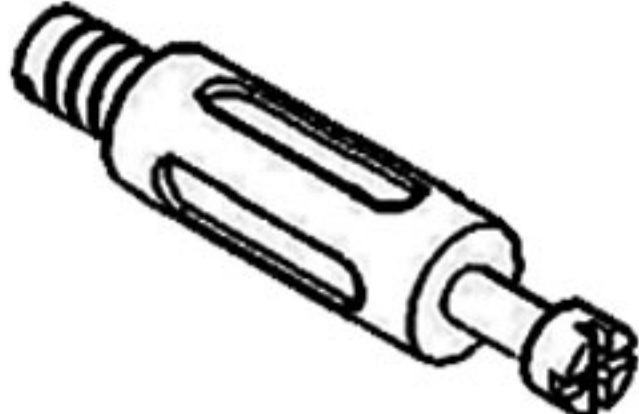
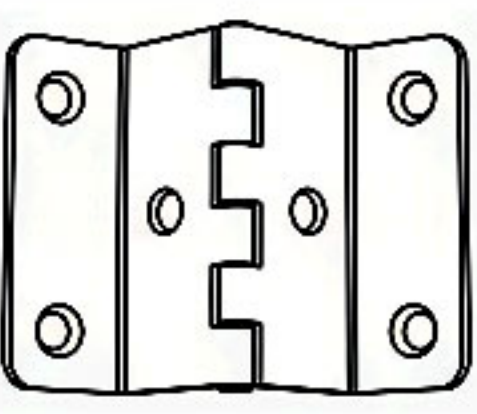








Assembly notes:

1. First, make sure that all panels and parts are not damaged or missing.
2. During the installation process, be careful not to bump or scratch the panel surface.
3. Please read the instructions carefully before installation and install in order.
4. Please use each screw accessory strictly according to the instructions.
5. The slide needs to be split into two parts when in use. For the splitting method, see the slide instructions.
6. Please keep the packaging box in case of any problems. You can check the product model and production batch number printed on the outside of the packaging box.

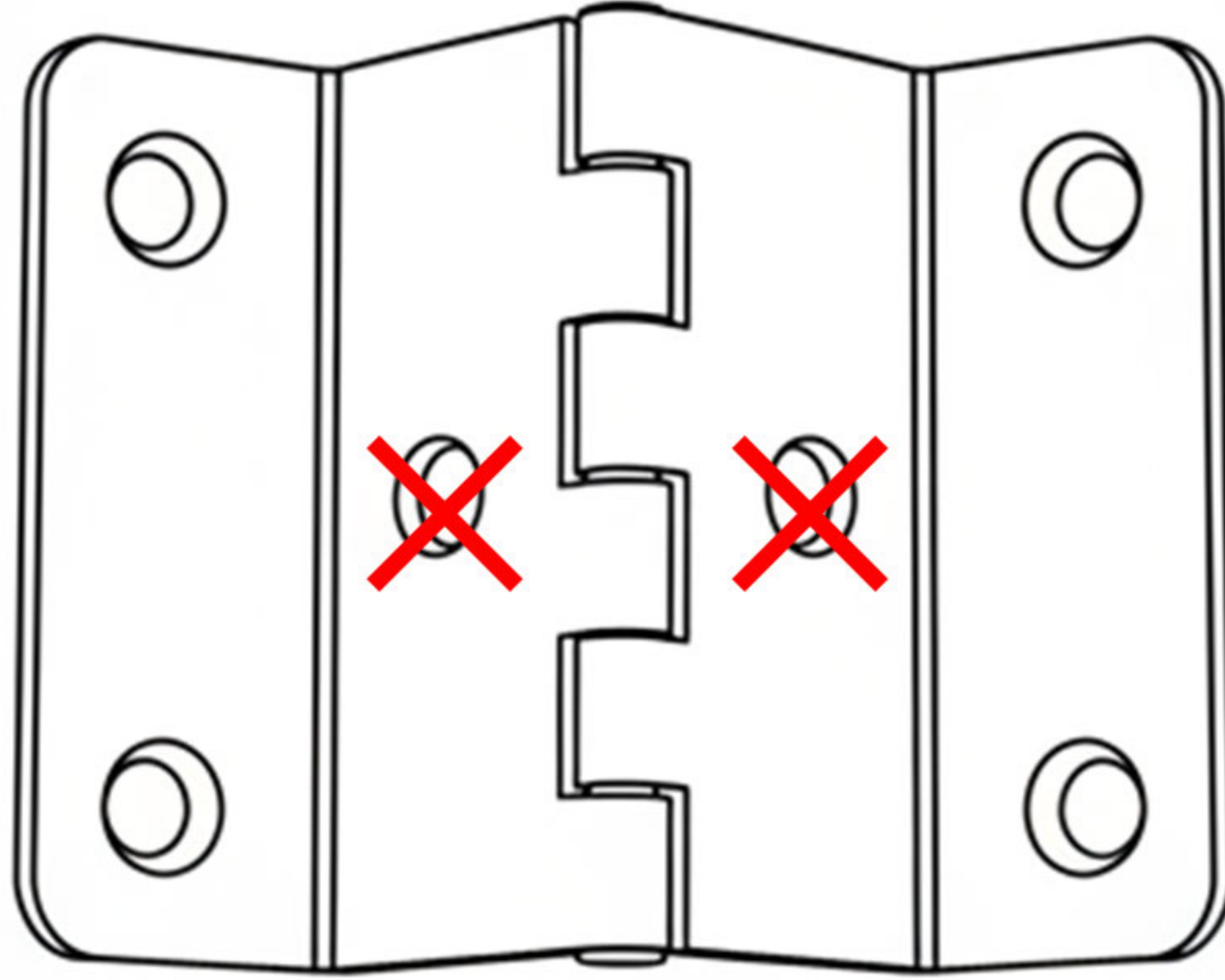
Precautions after assembly:

1. After installation, check whether all parts are installed and the locks are locked.
2. Check the overall stability of the cabinet to see if there is any vibration.
3. When using the lock, do not use excessive force to avoid damage to the lock. Just turn it clockwise until it cannot turn.

NOTE: ES001 - 3 Speed Portable Cordless Electric Screwdriver is highly recommended for installation.

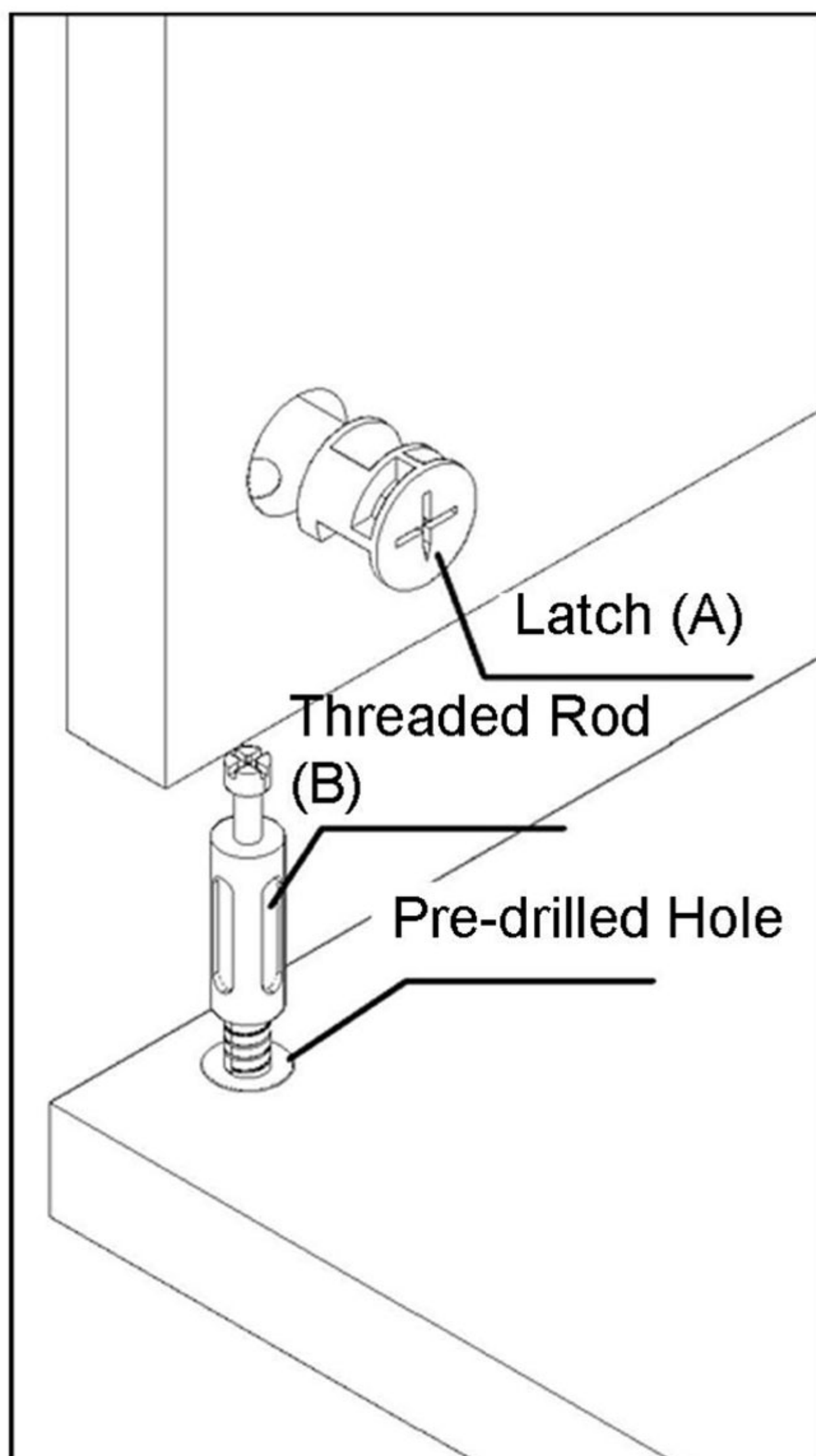
Hardware List			
Accessory Appearance	Code	Accessory Appearance	Code
	A		G
	B		H
 Gold	C		I
	D		J
	E		K
 Silver	F		L

Precautions for using hinge H:



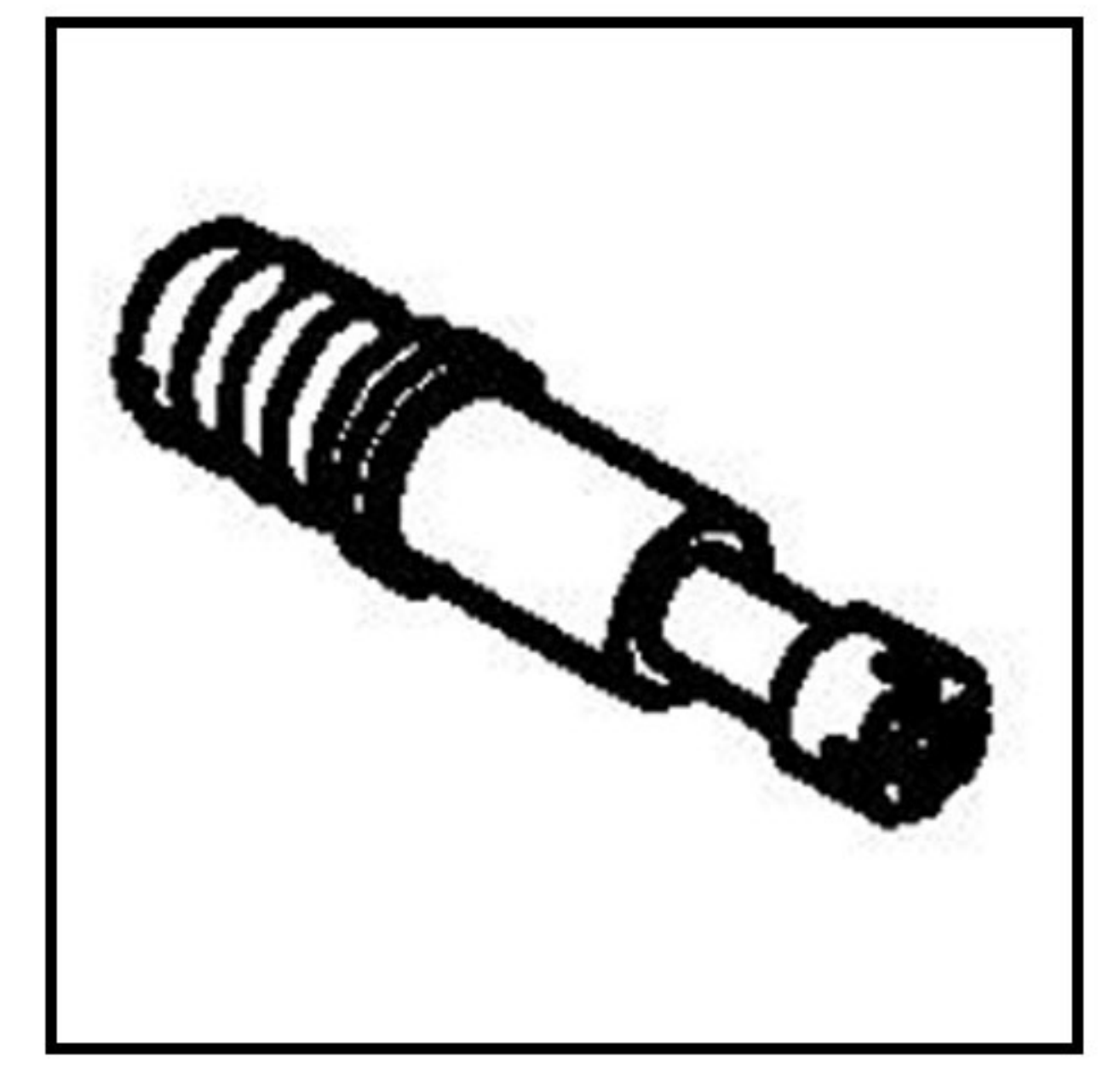
This product does not require installation in the two middle holes of H.

Installation Guide: Threaded Rod, Latch, Pre-drilled Hole

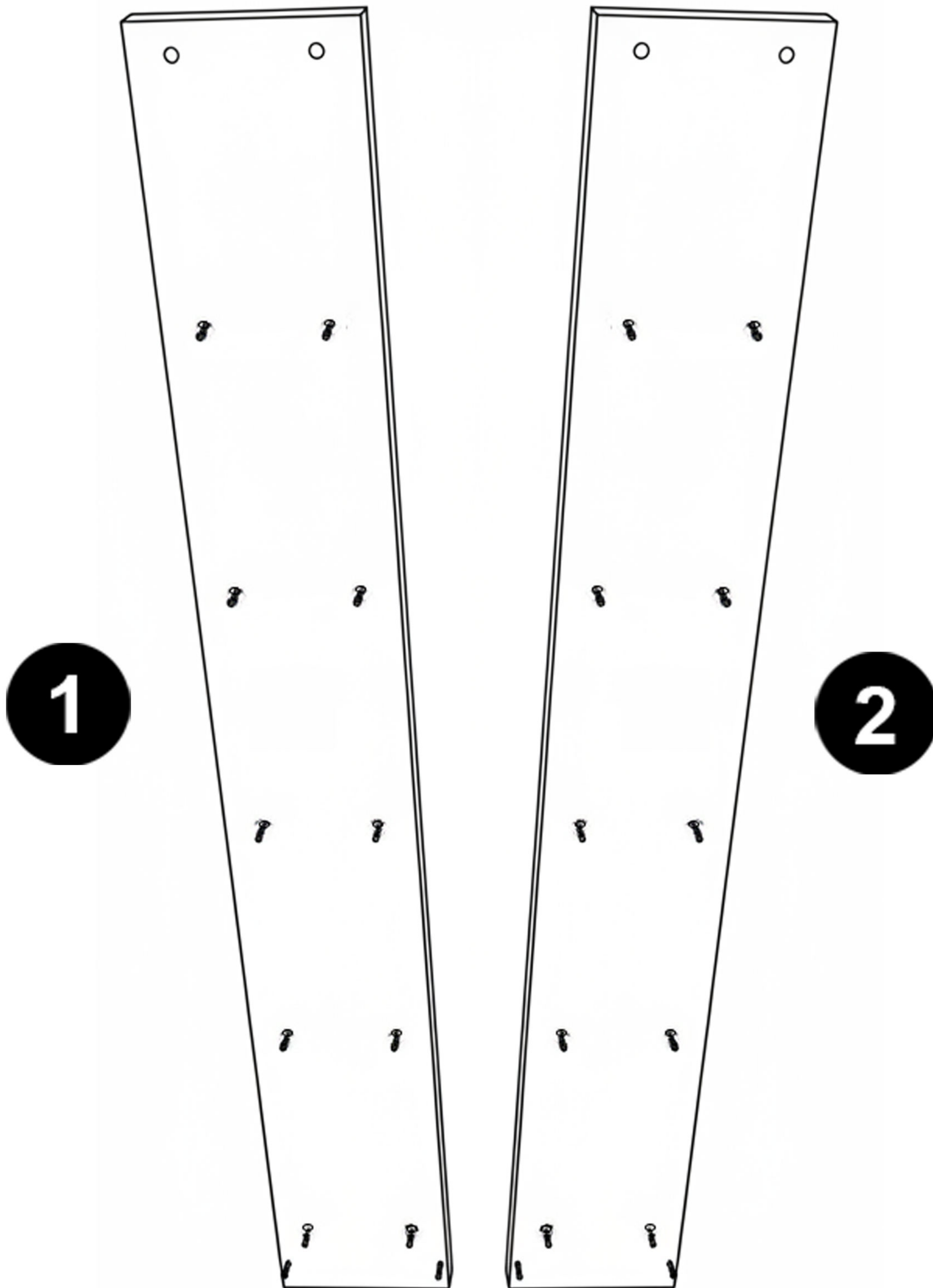


1. Screw the B (Threaded Rod) into the Pre-drilled Hole
2. Insert the installed A into the corresponding hole of the other piece. Press A (Latch) into the hole. Note that the cross arrow corresponds to the insertion direction of the Threaded Rod.
3. Use a cross screwdriver to tighten Latch clockwise. Be careful not to use excessive force.

Step 1:

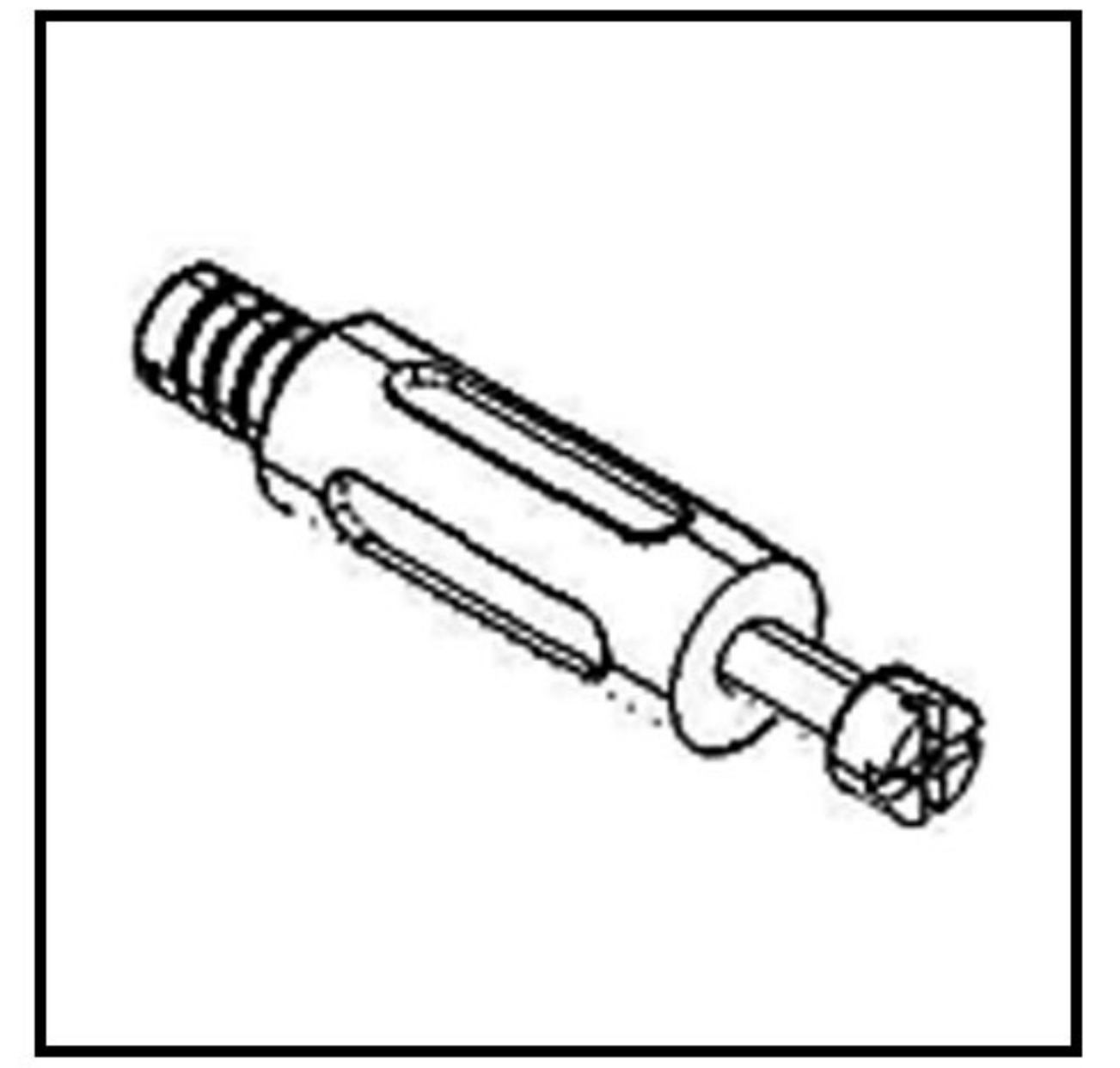


B



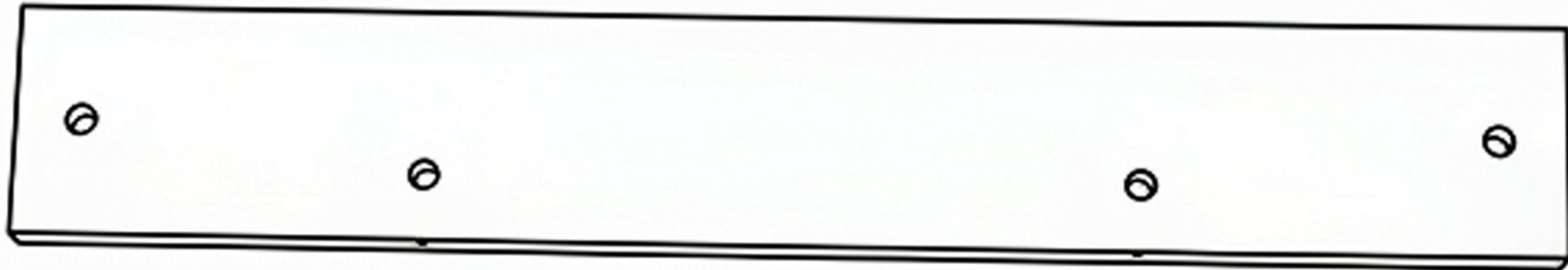
Install B in all pre-drilled holes with inserts.

Step 2:



B

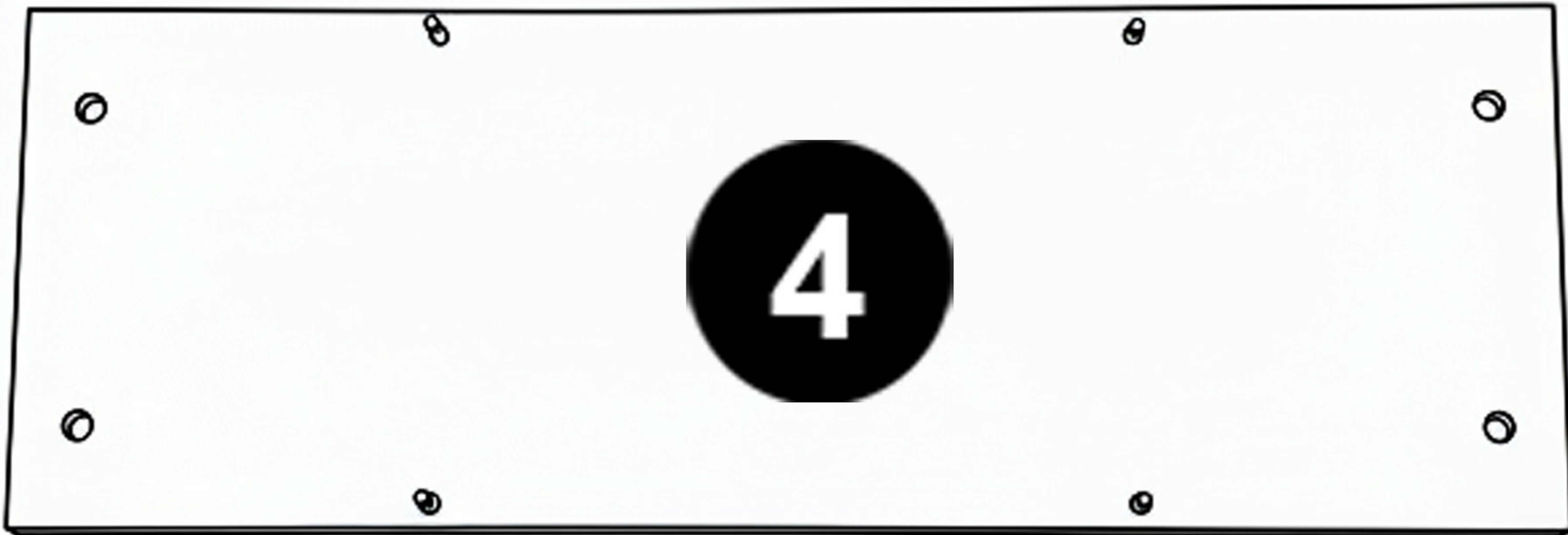
6



B

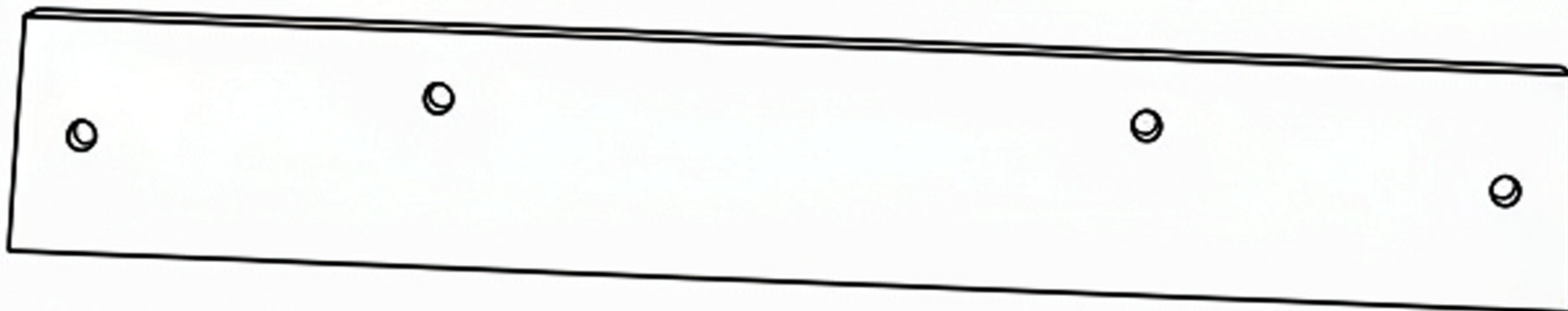
B

4



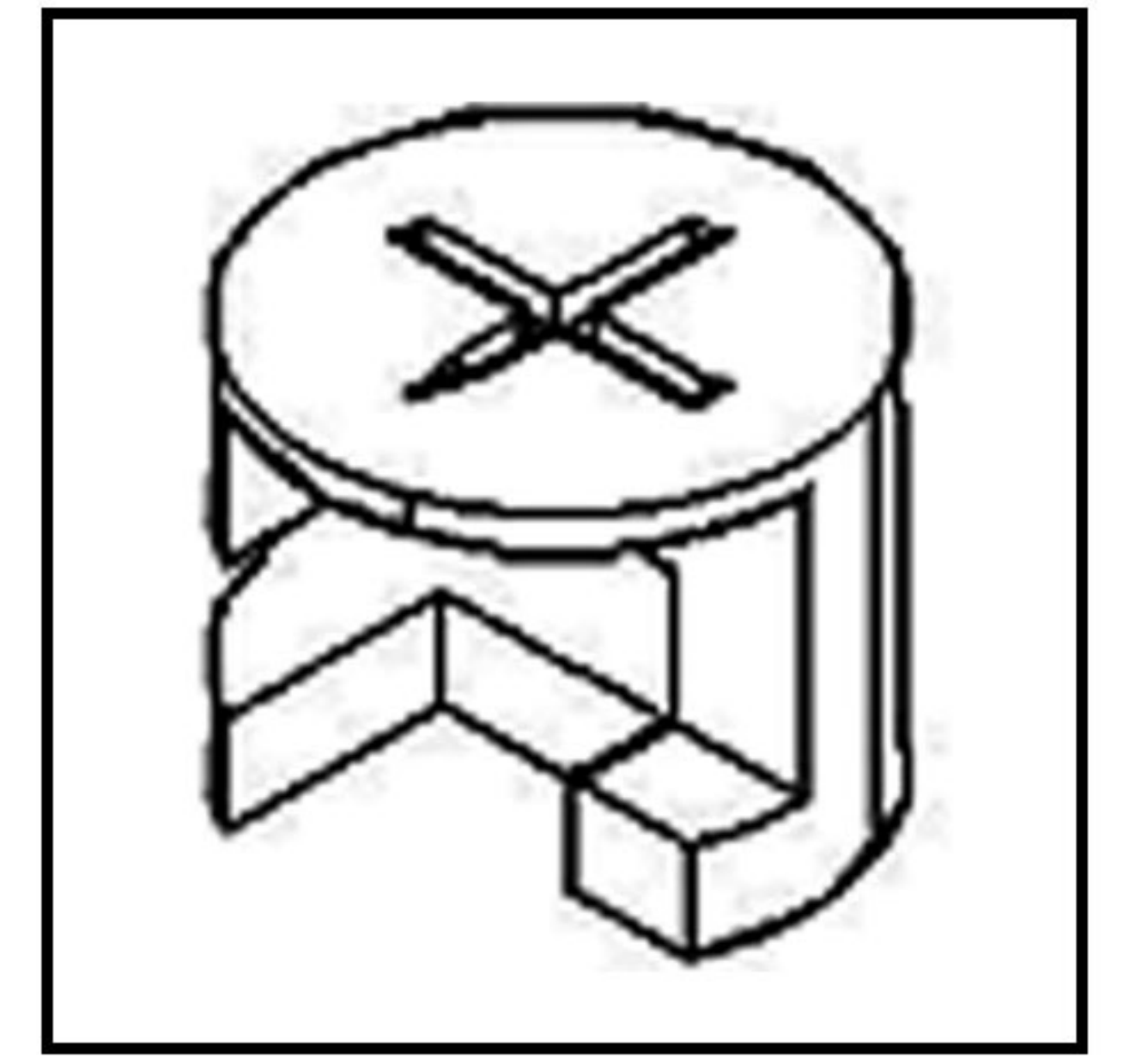
B

B

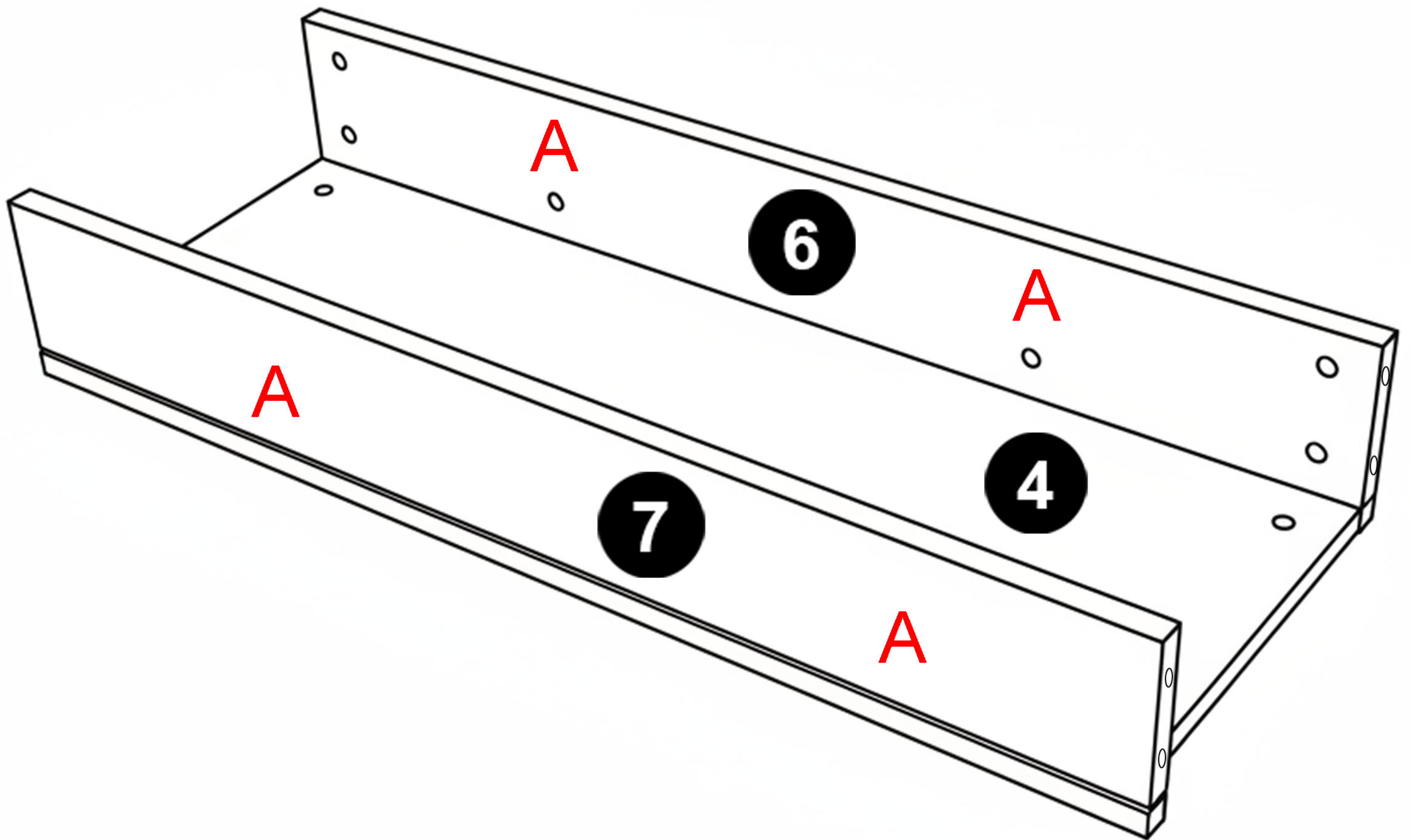


7

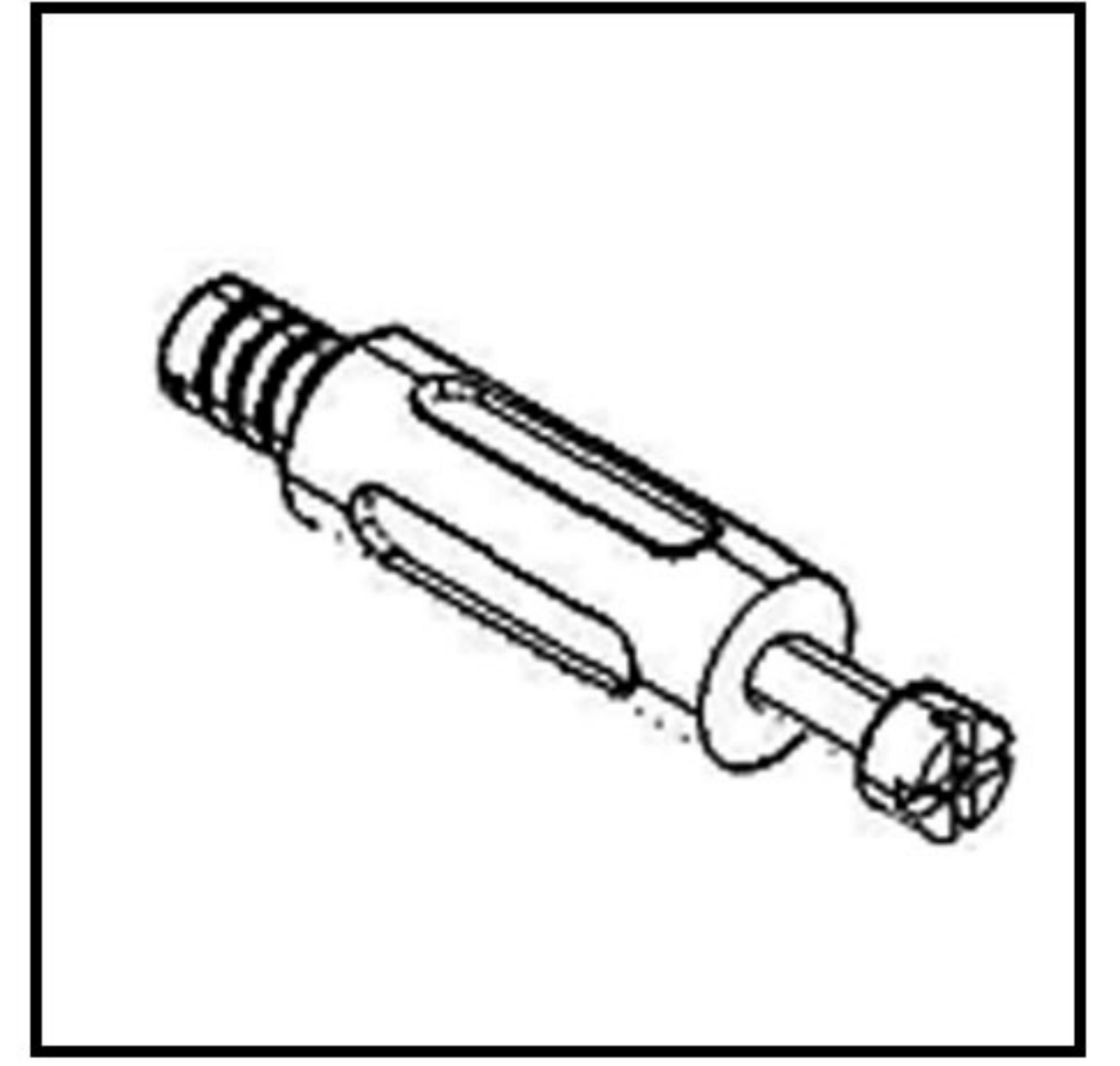
Step 3:



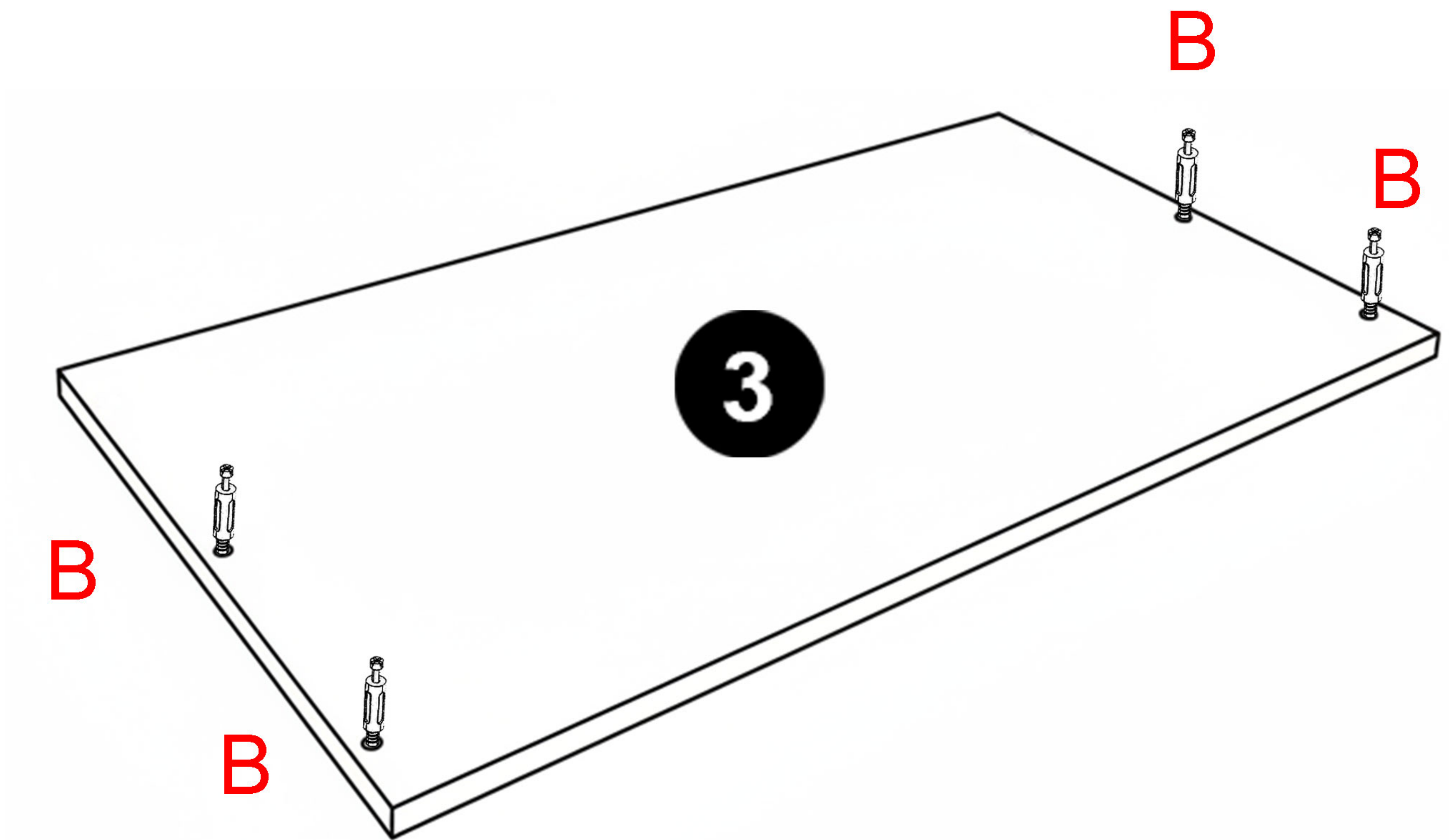
A



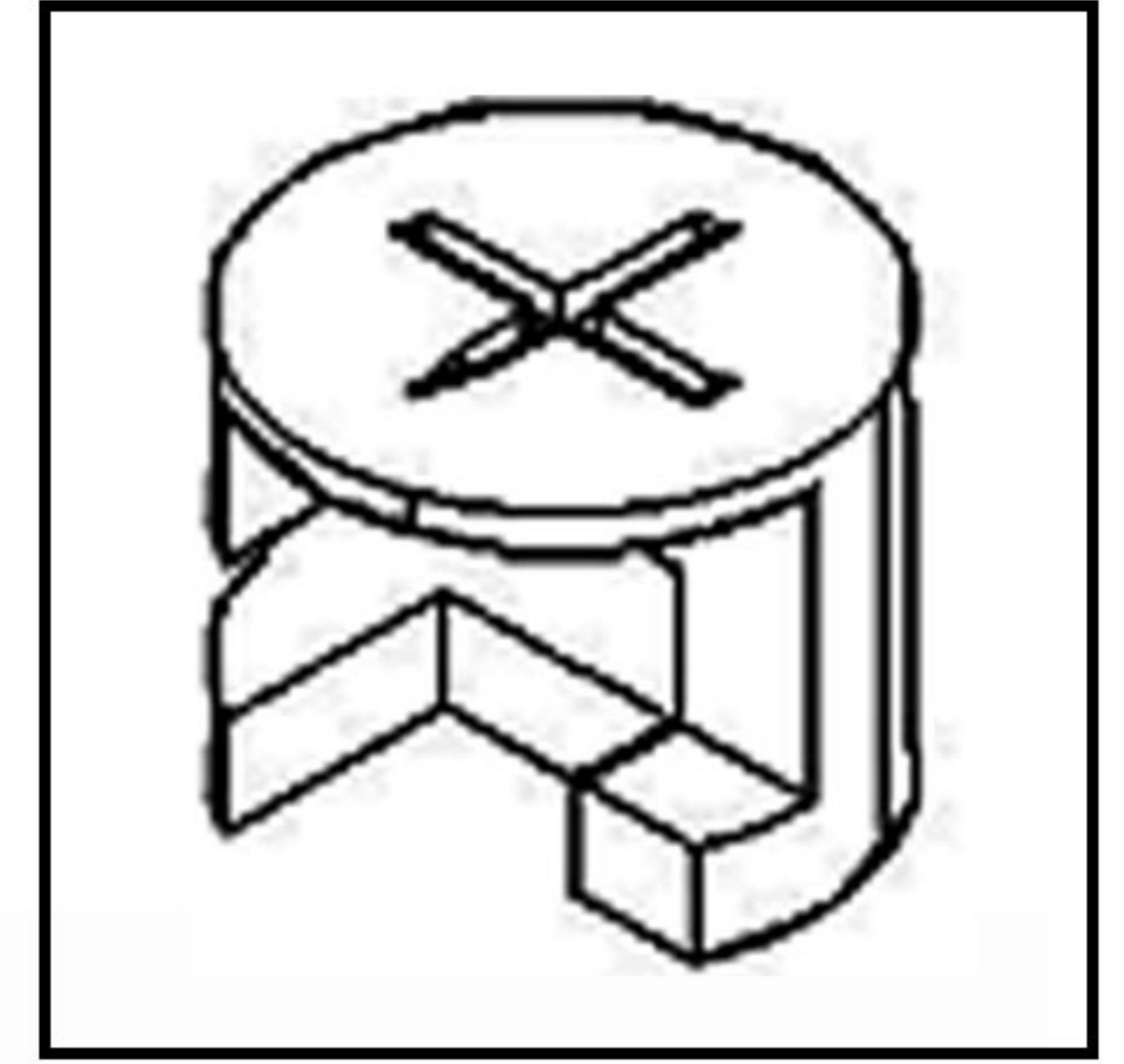
Step 4:



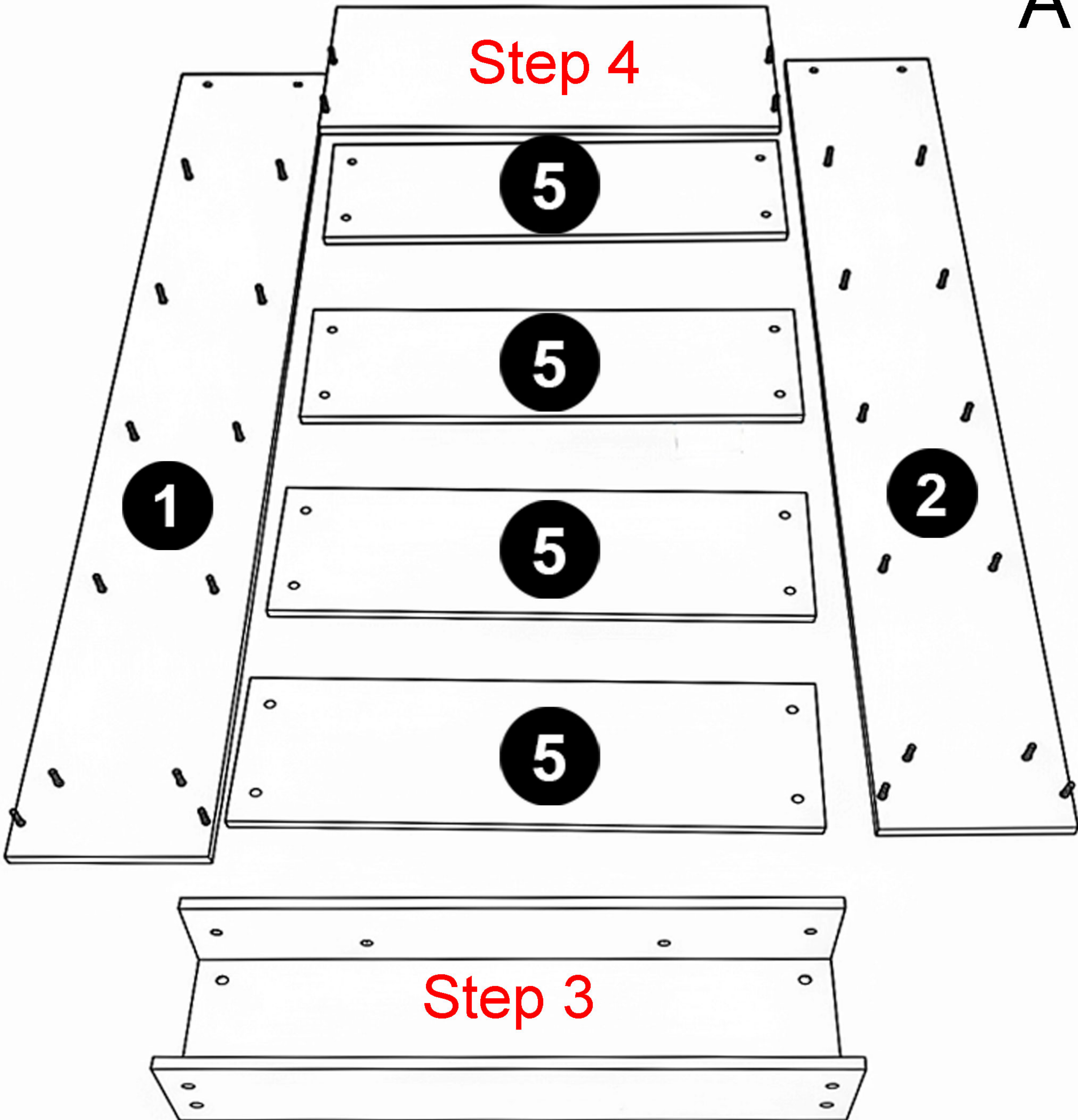
B



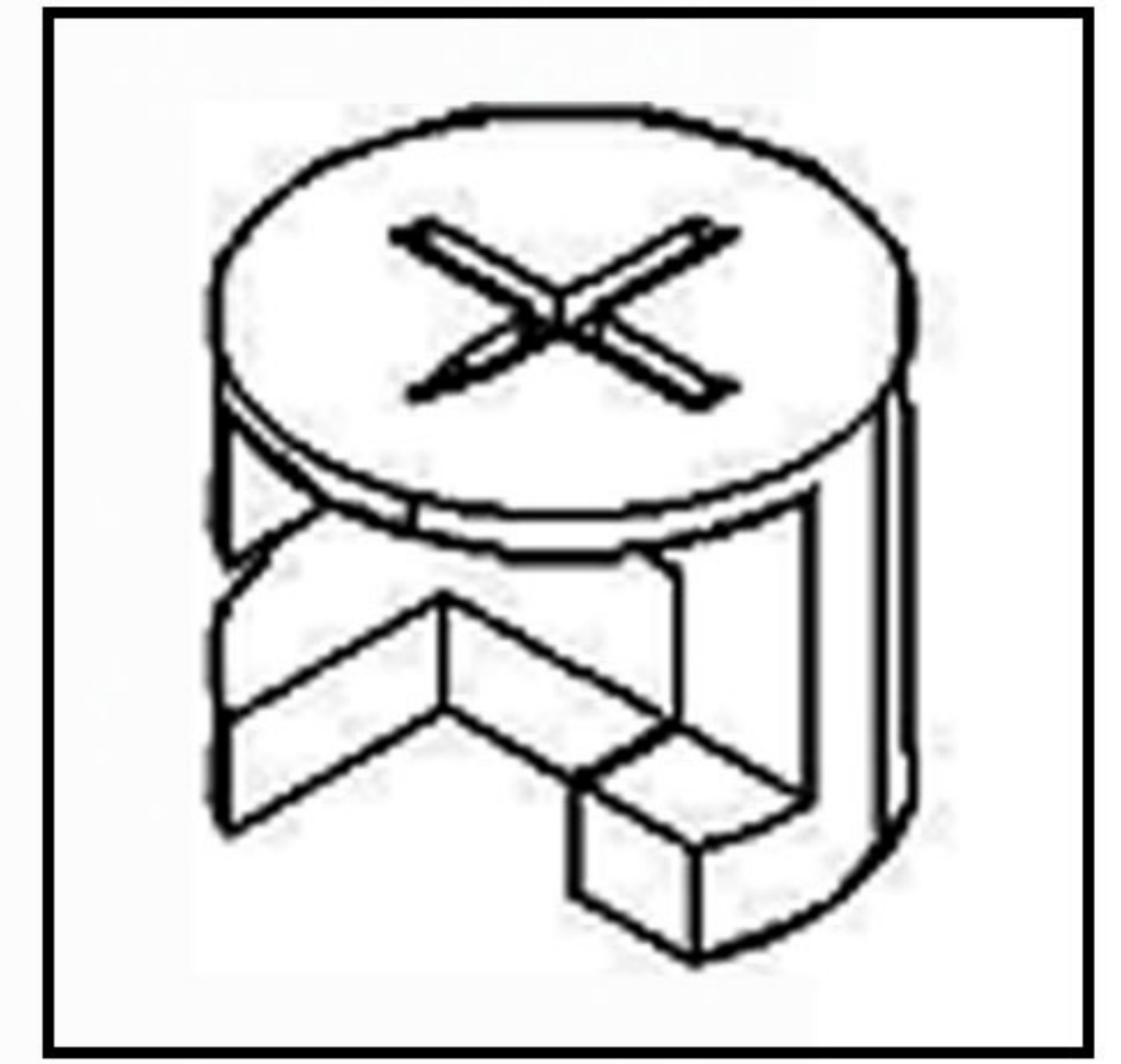
Step 5:



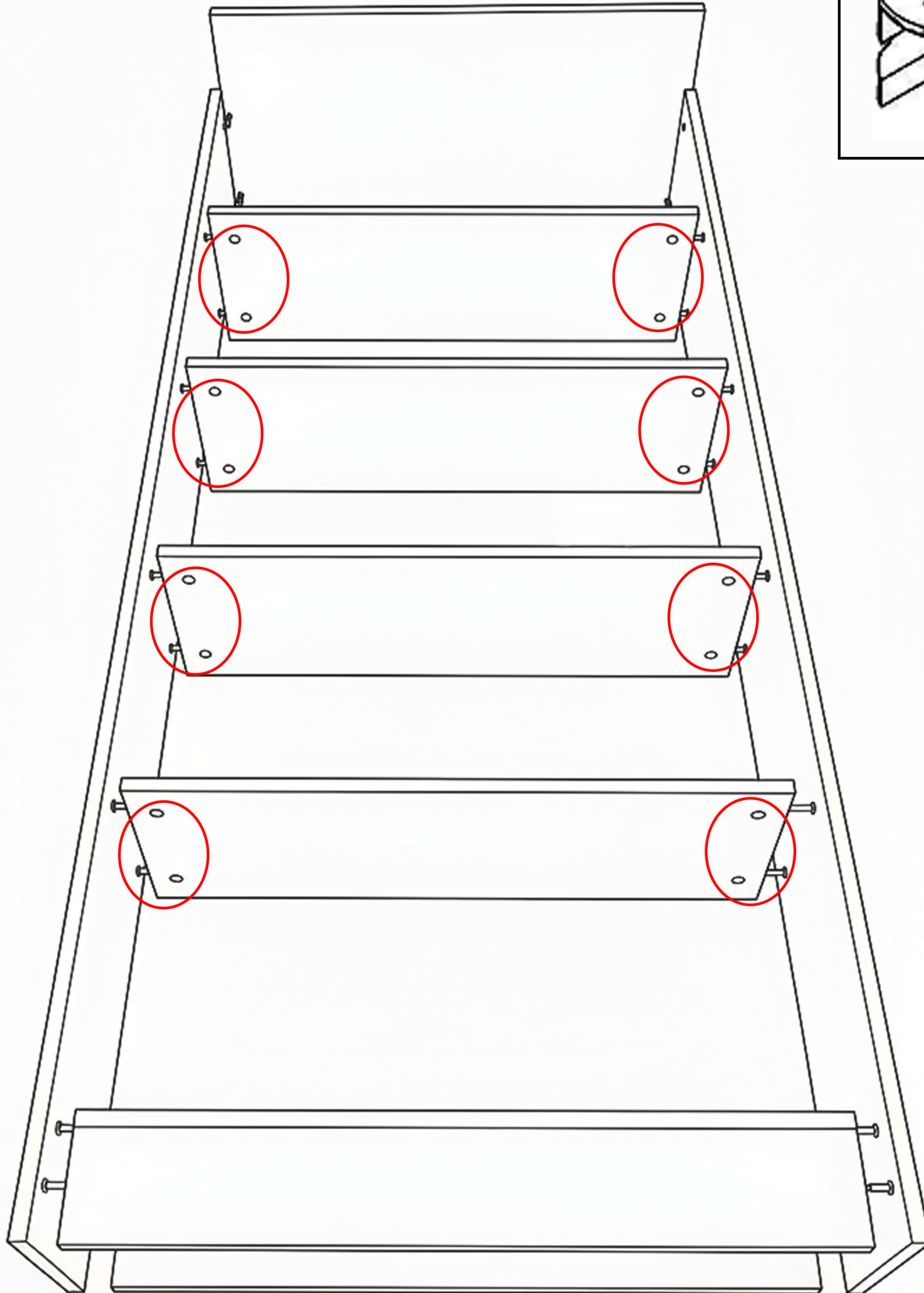
A



Step 6:

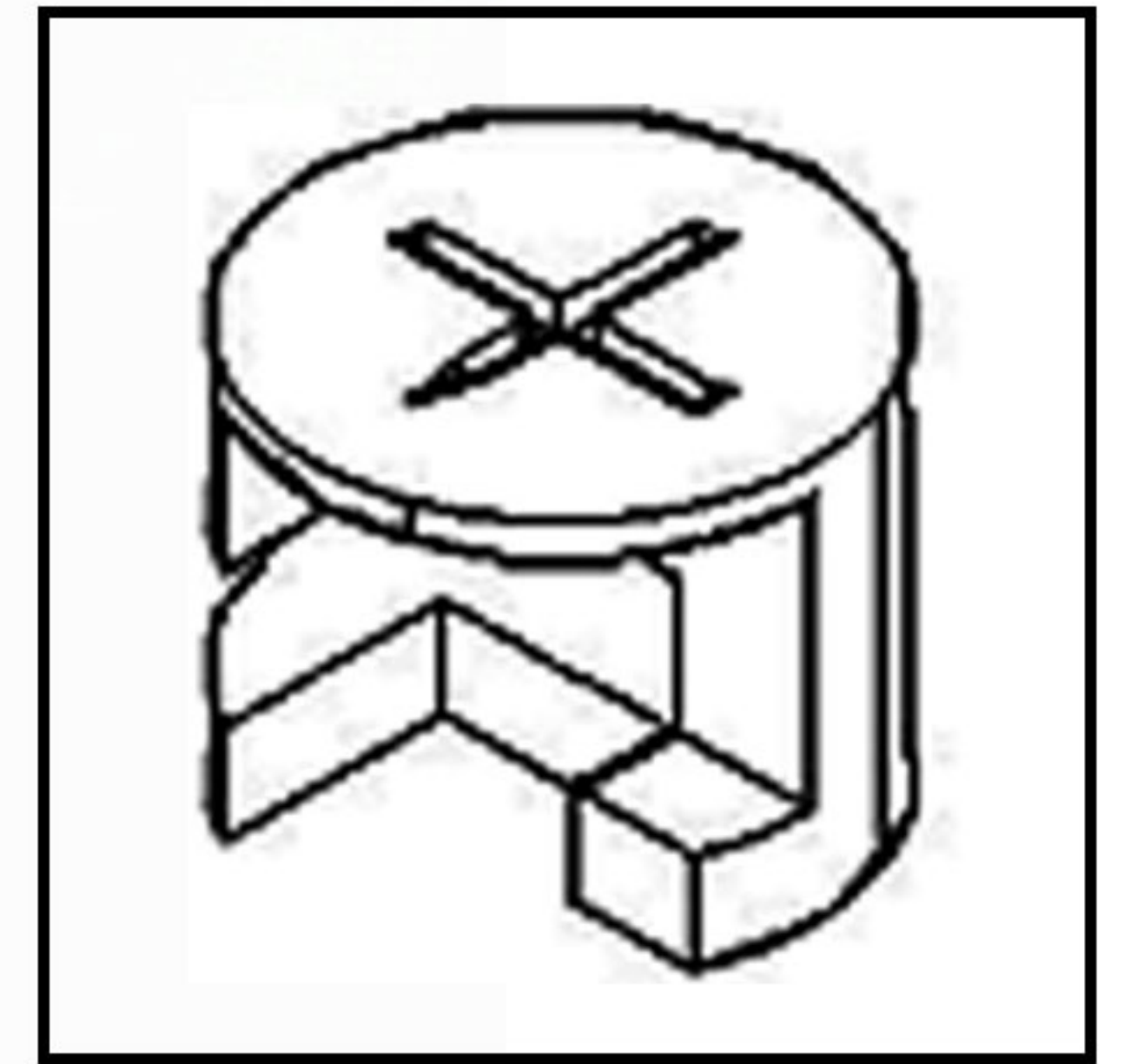
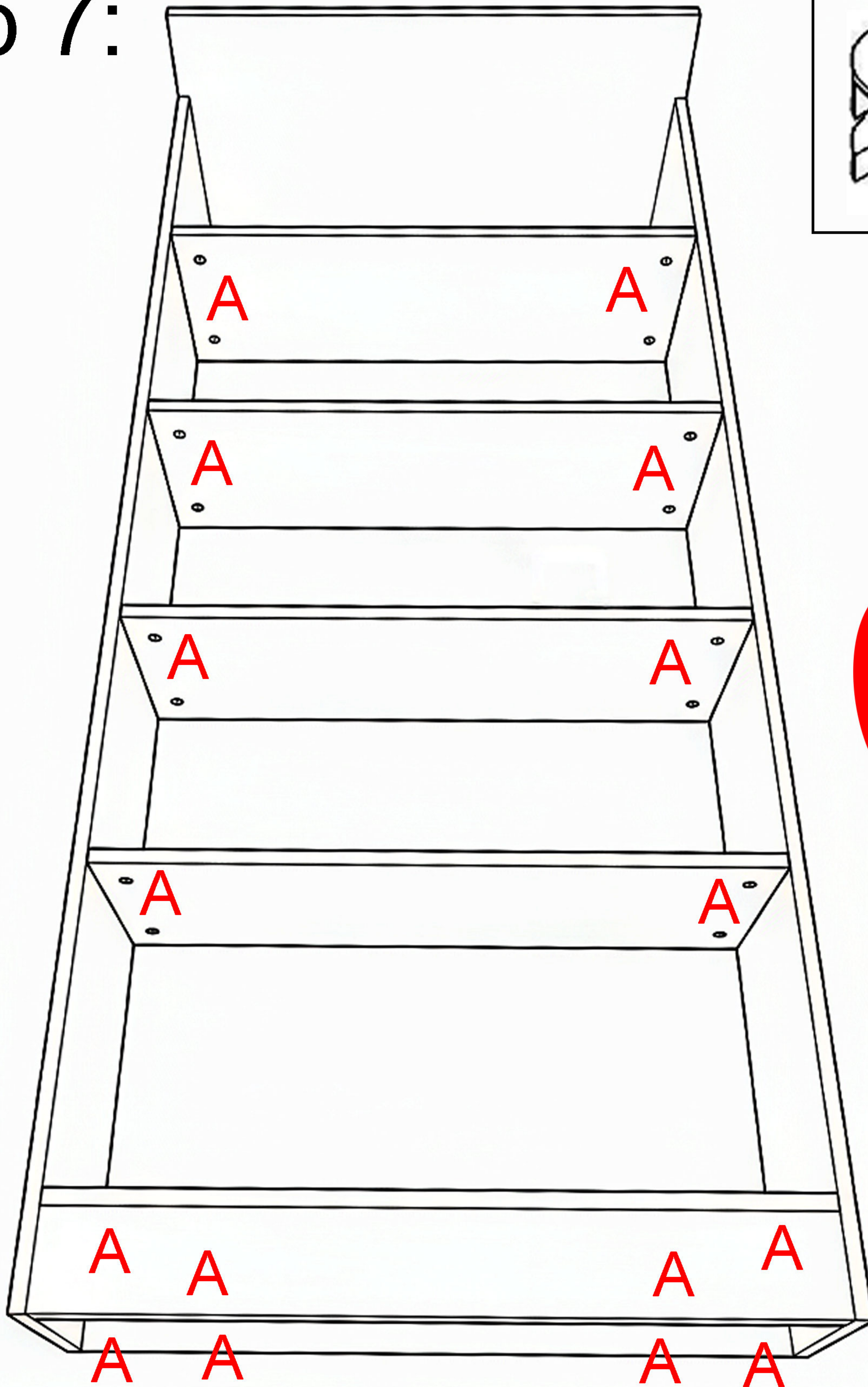


A



Make sure the large round hole is facing downward.

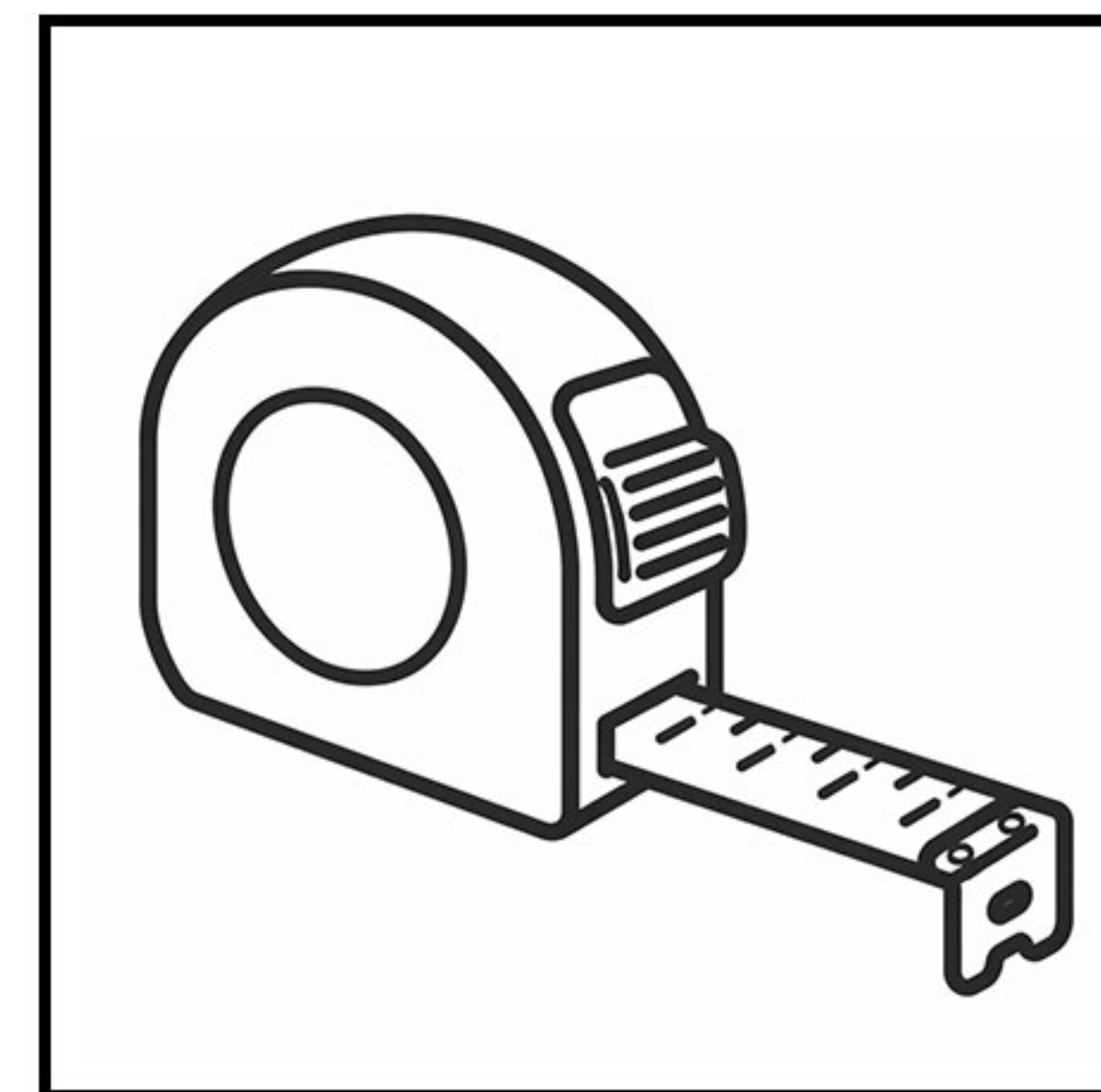
Step 7:



A

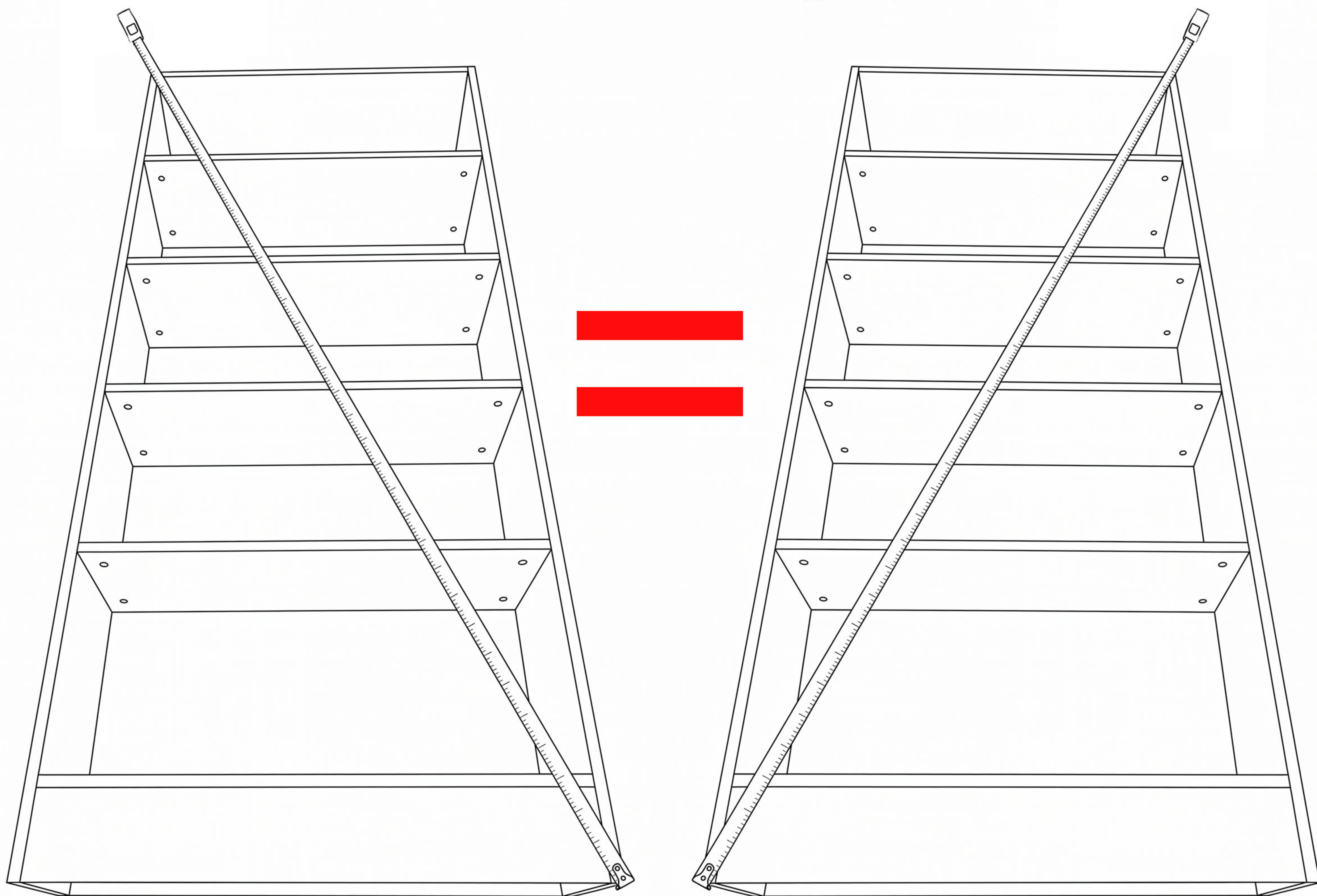
Tighten with A, then flip the cabinet over.

Step 8:



Flip the cabinet
(back side facing up)

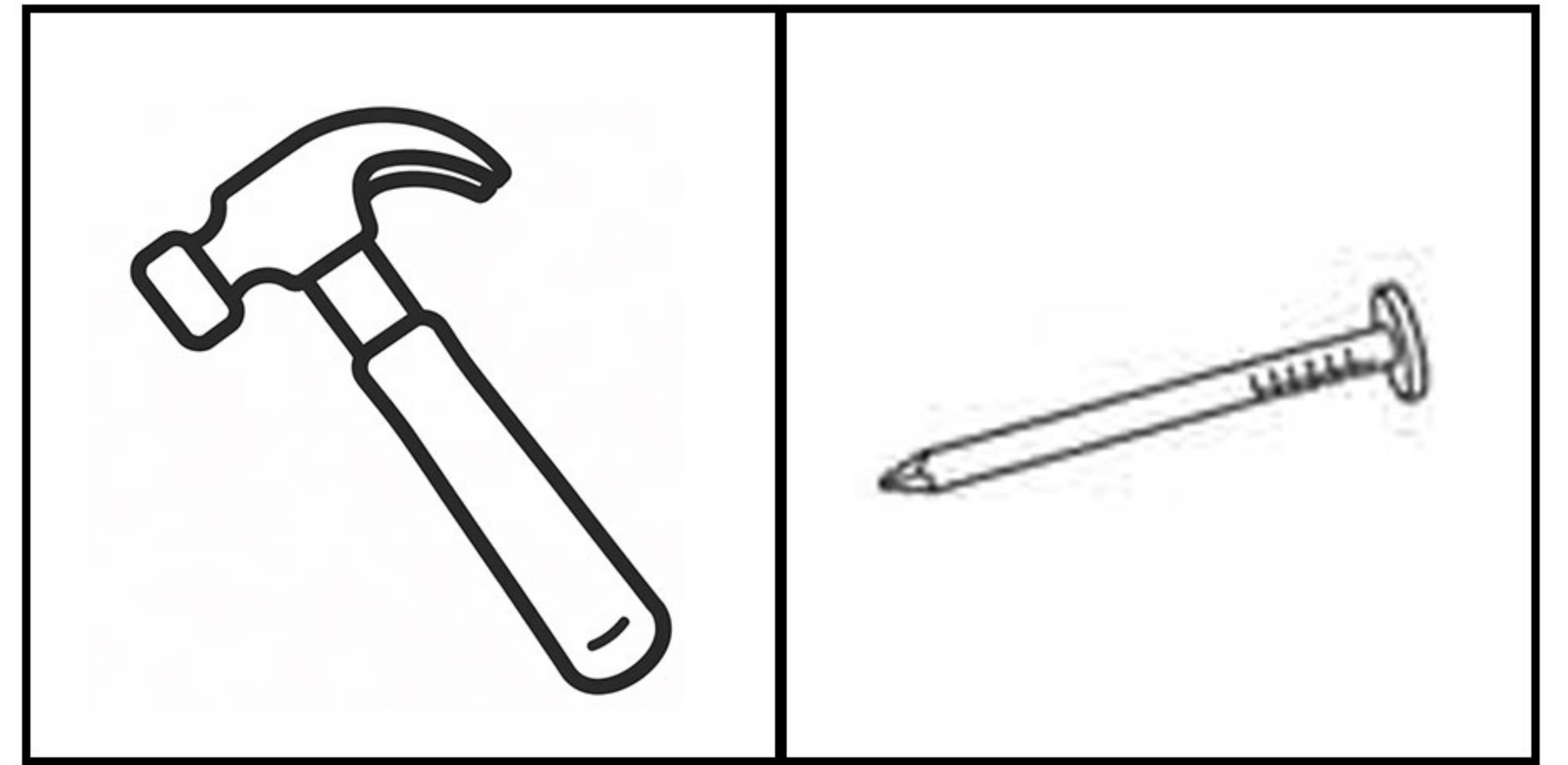
Not included



Measure the two diagonal lengths on the back using a tape measure (**Not included**).

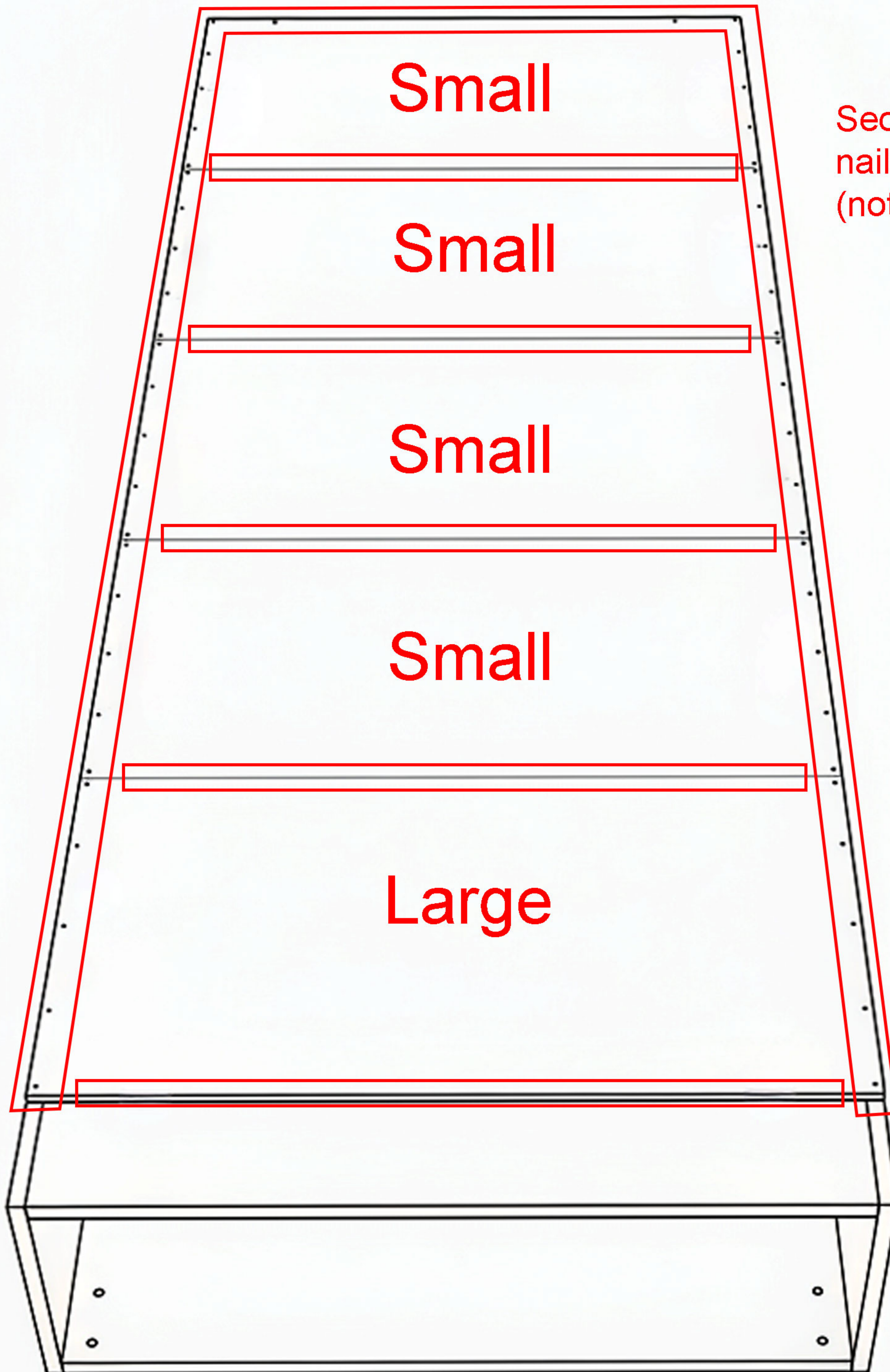
If the measurements are different, adjust the cabinet until they are **equal**, then continue installation.

Step 9:



Not included

F

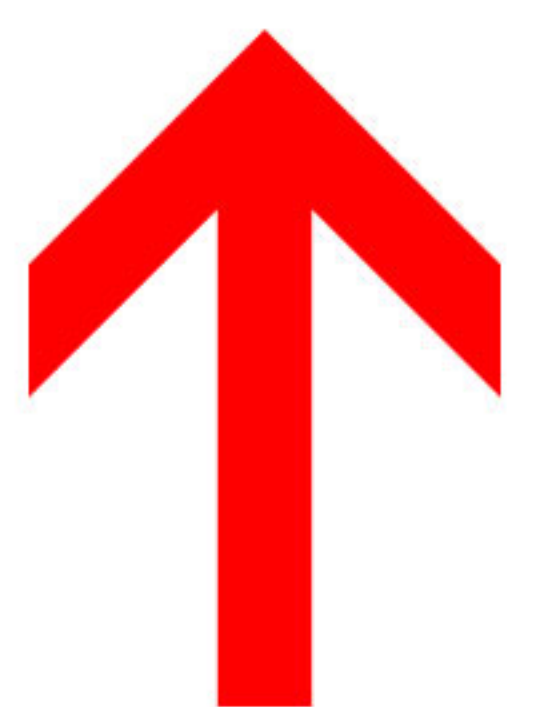


Secure the back panel with F nails. A small hammer is required (not included).

Small x 4

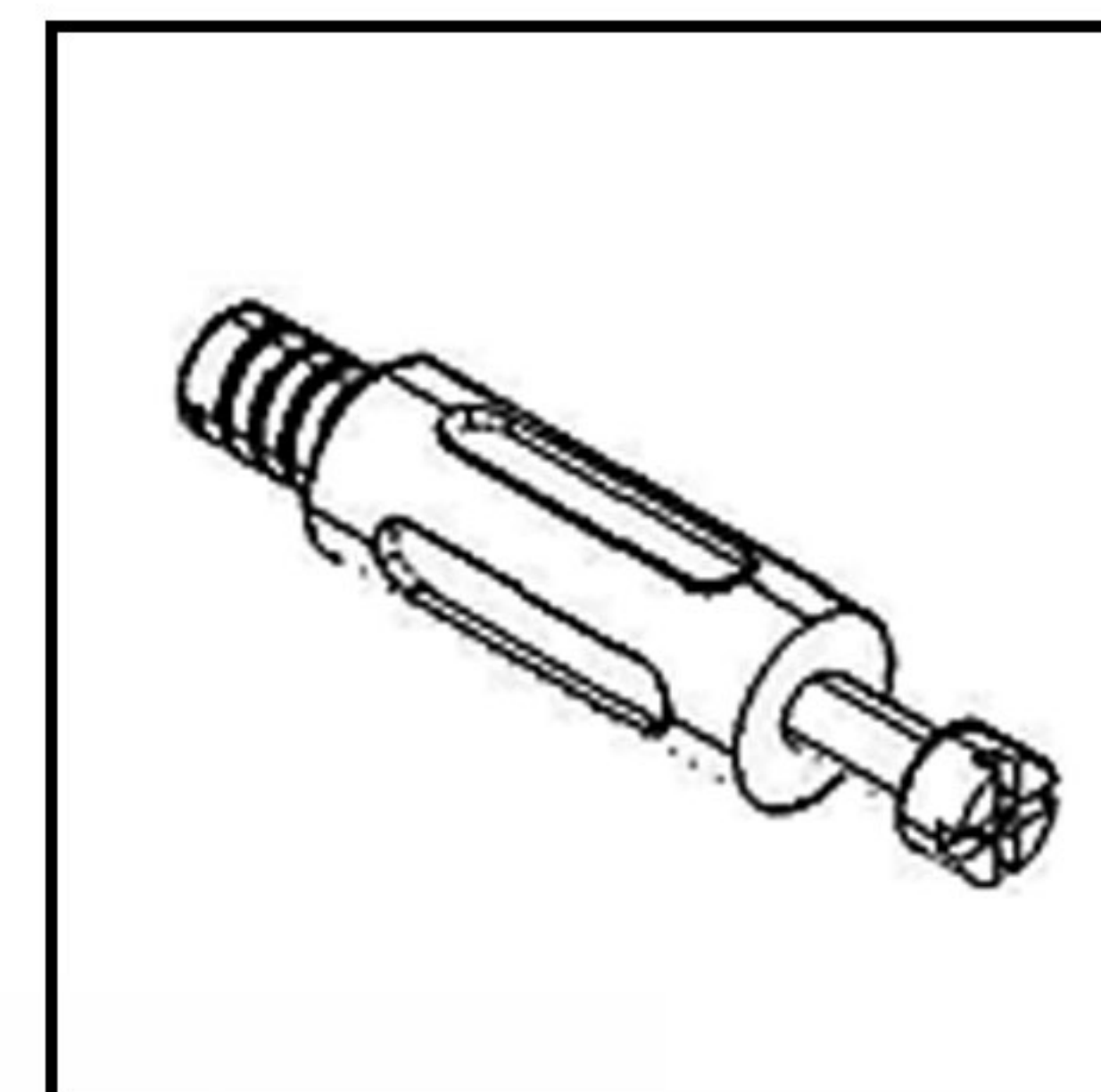
**Large
X 1**

BACK

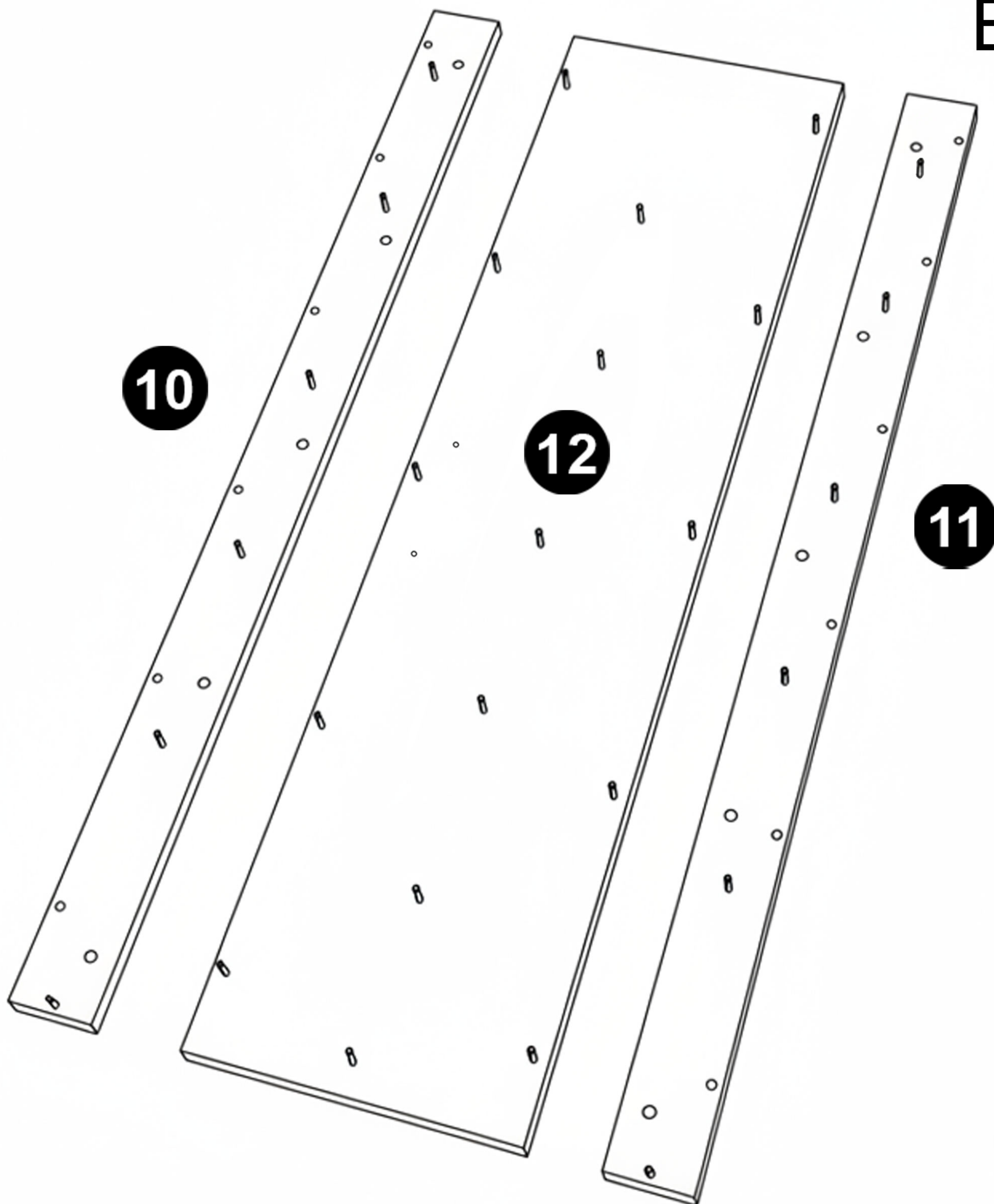


Step 10:

Install B in all pre-drilled holes with inserts.



B

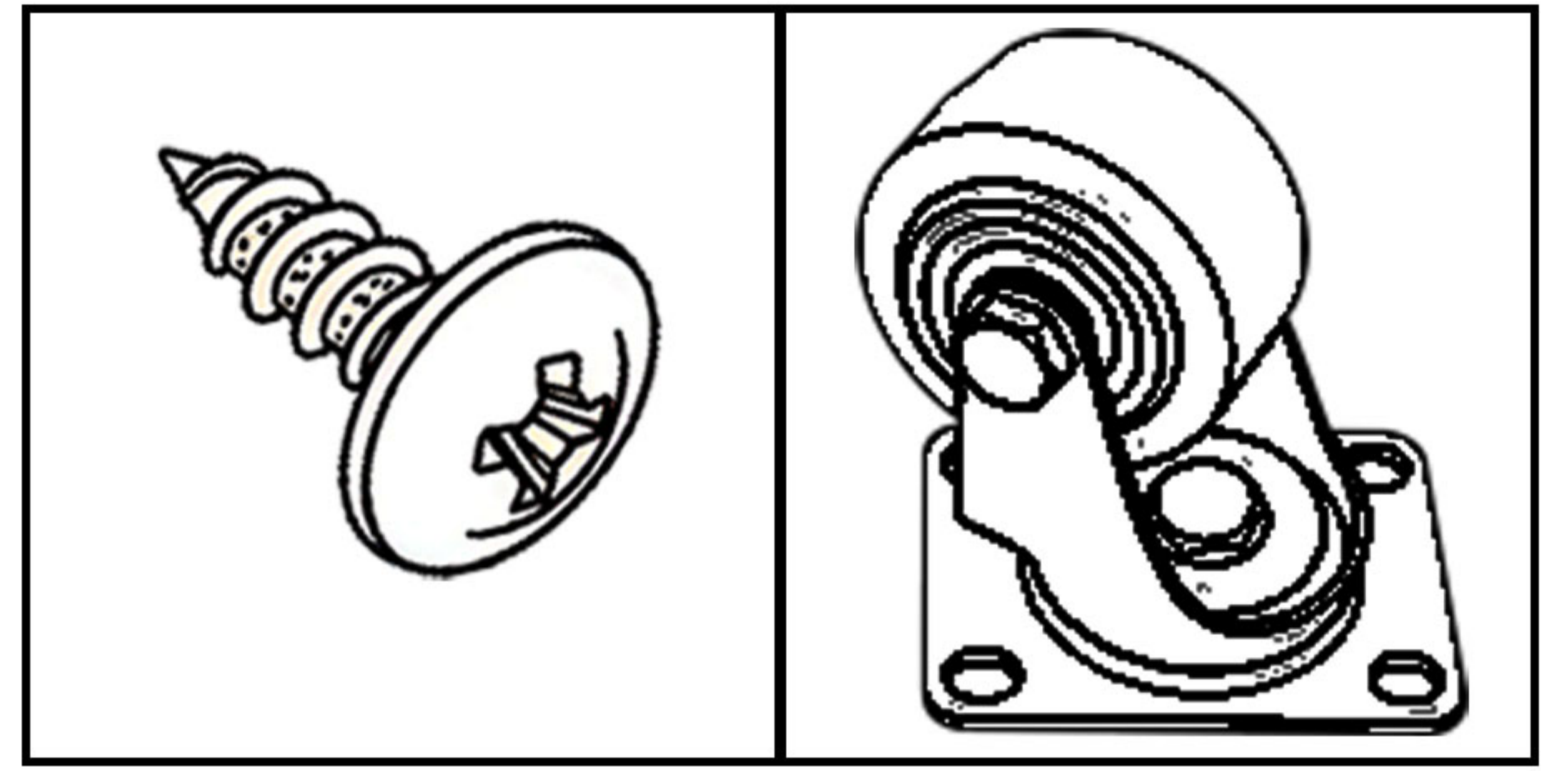


10

12

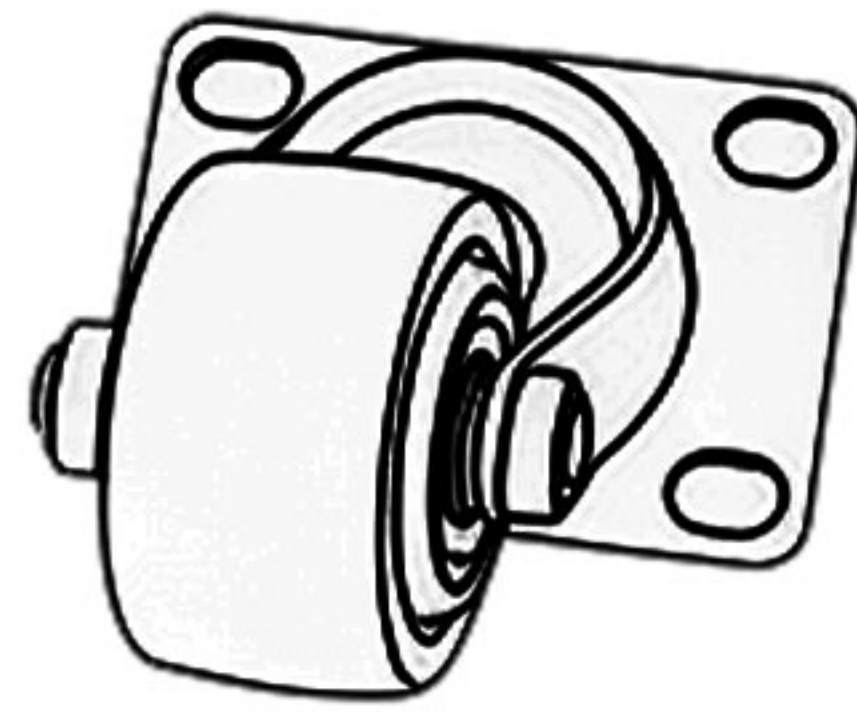
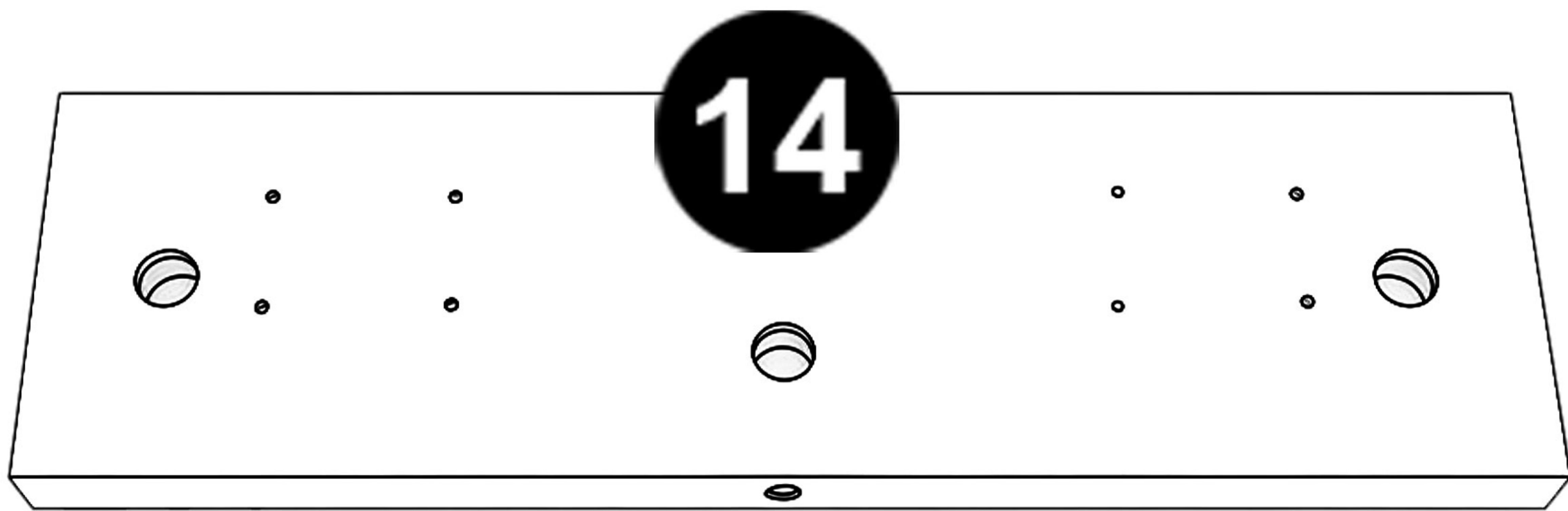
11

Step 11:

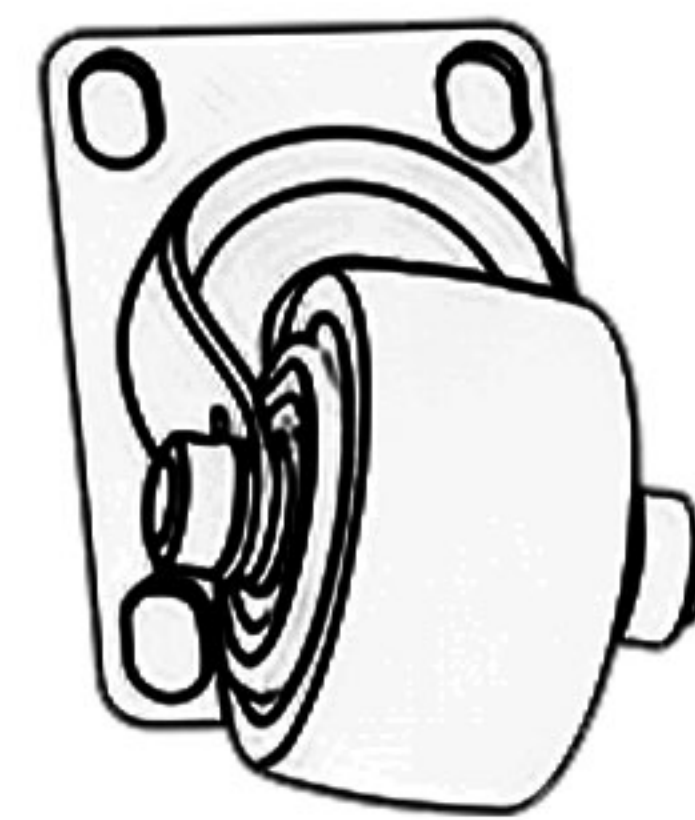


D

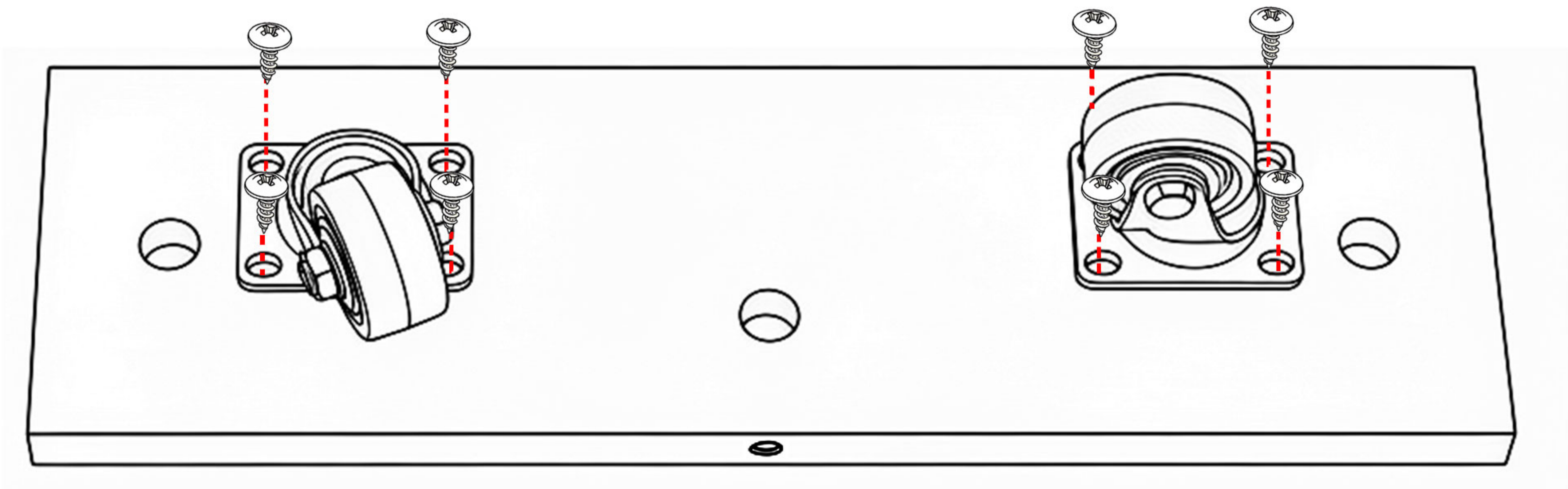
G



G

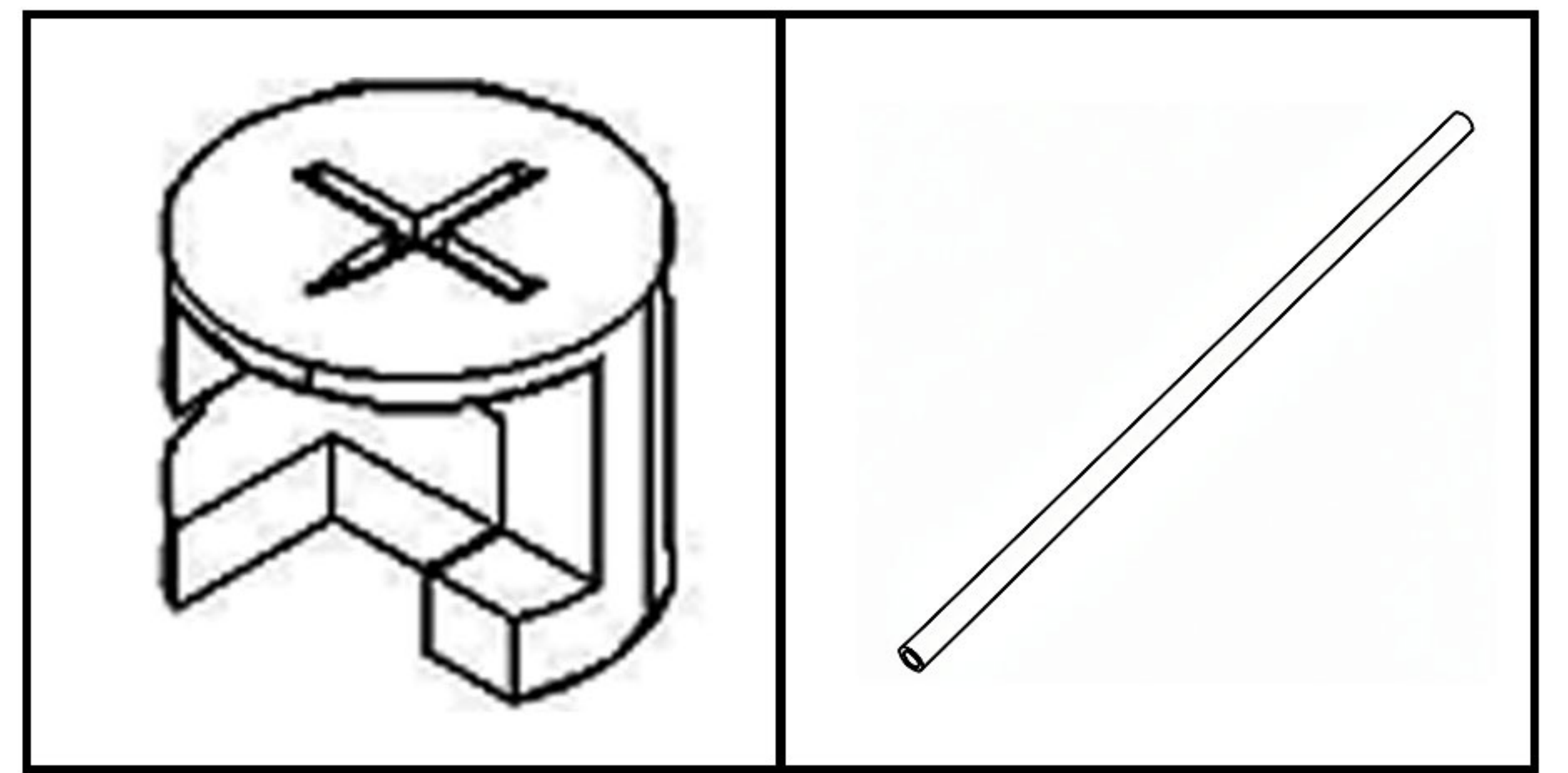


G



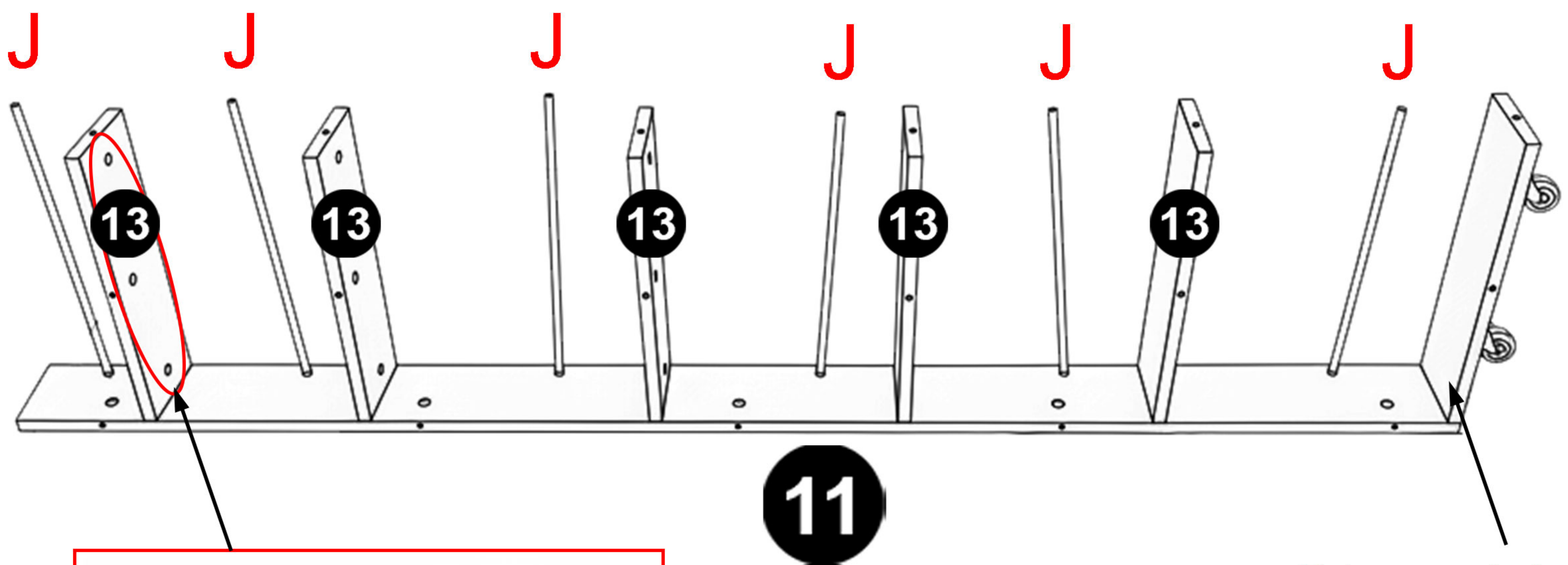
Install with D

Step 12:

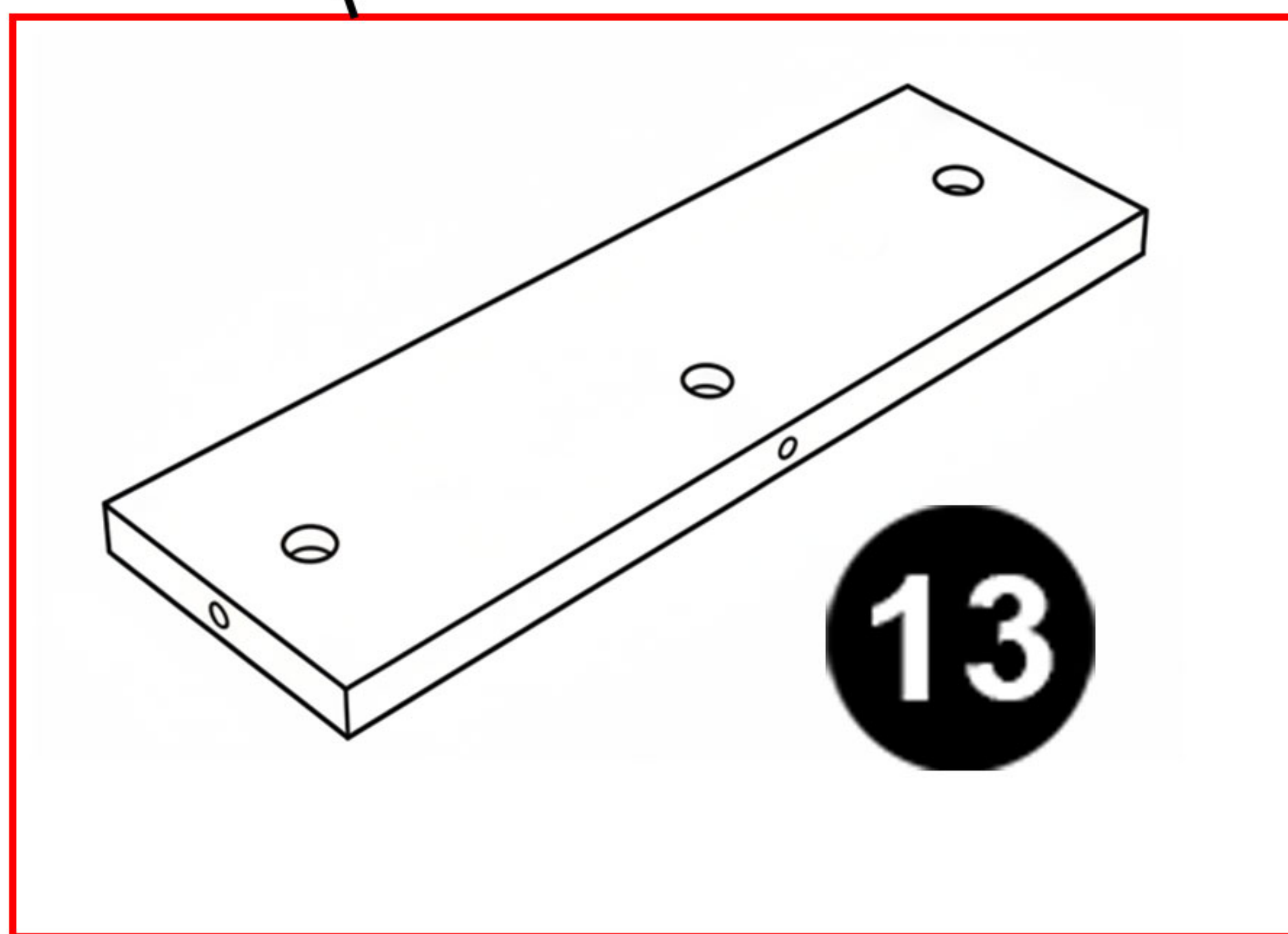


A

J



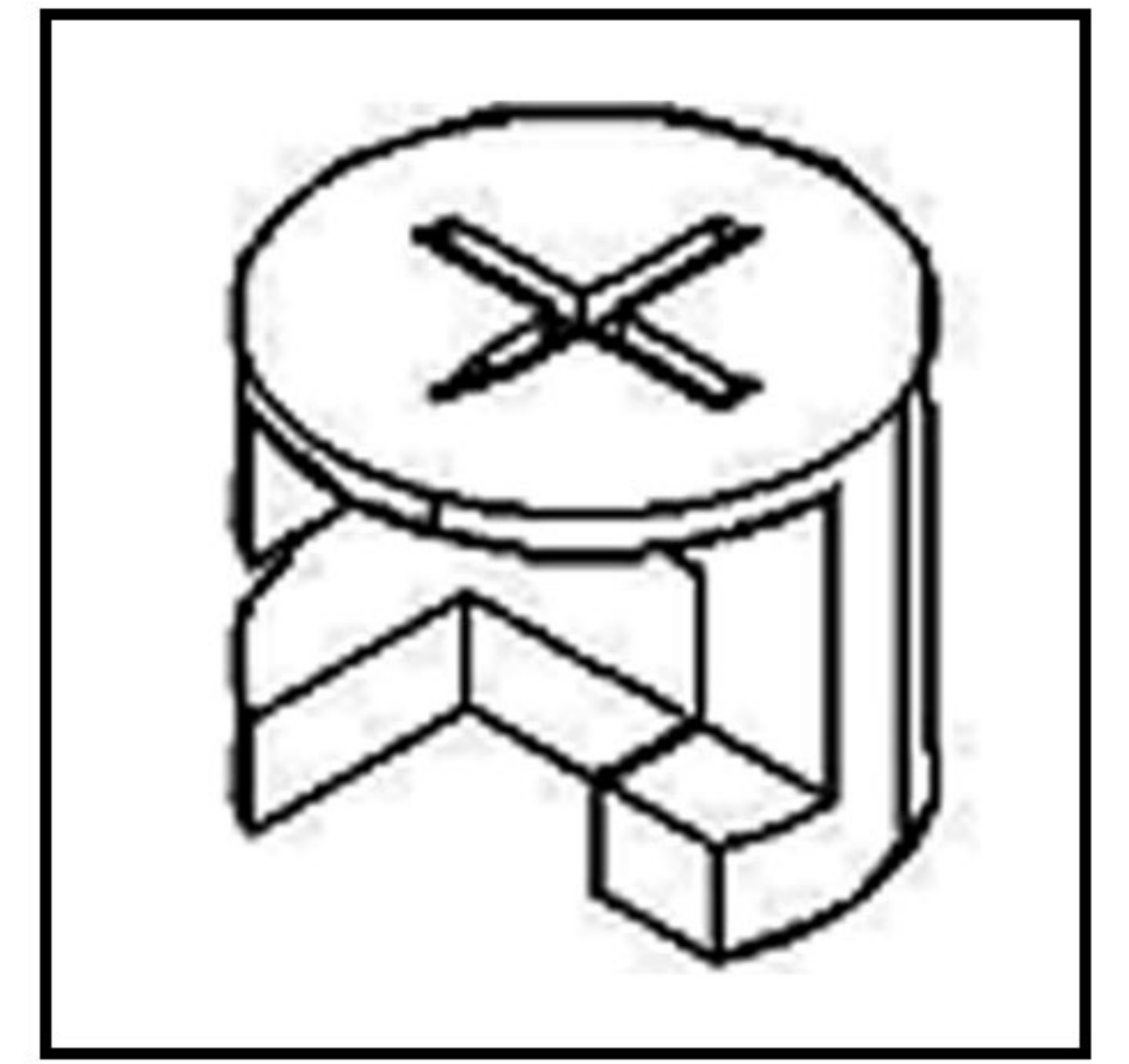
Step 11



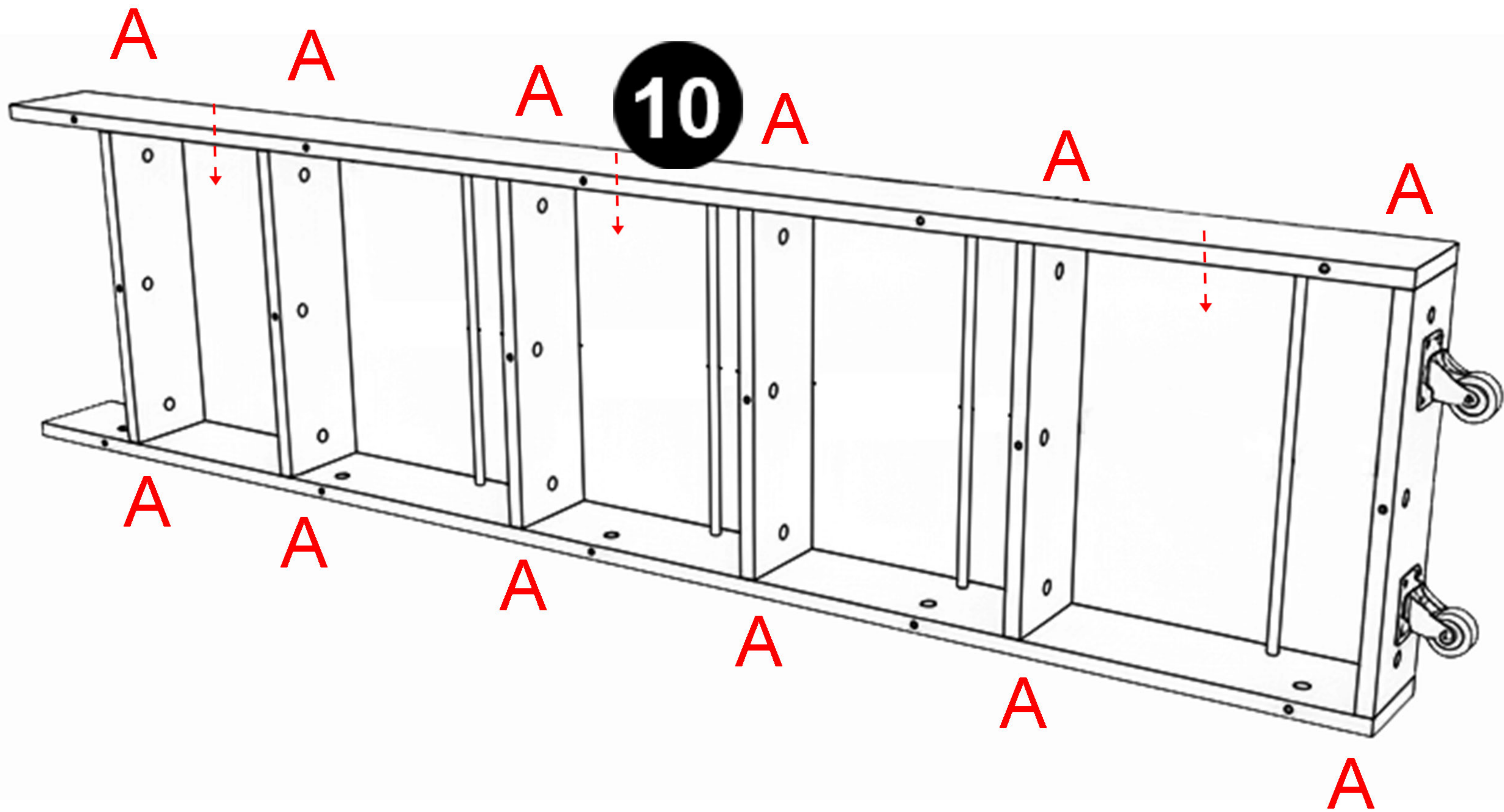
Make sure the large round hole is facing downward.

Insert J into the small pre-drilled hole on the edge of panel 11.

Step 13:

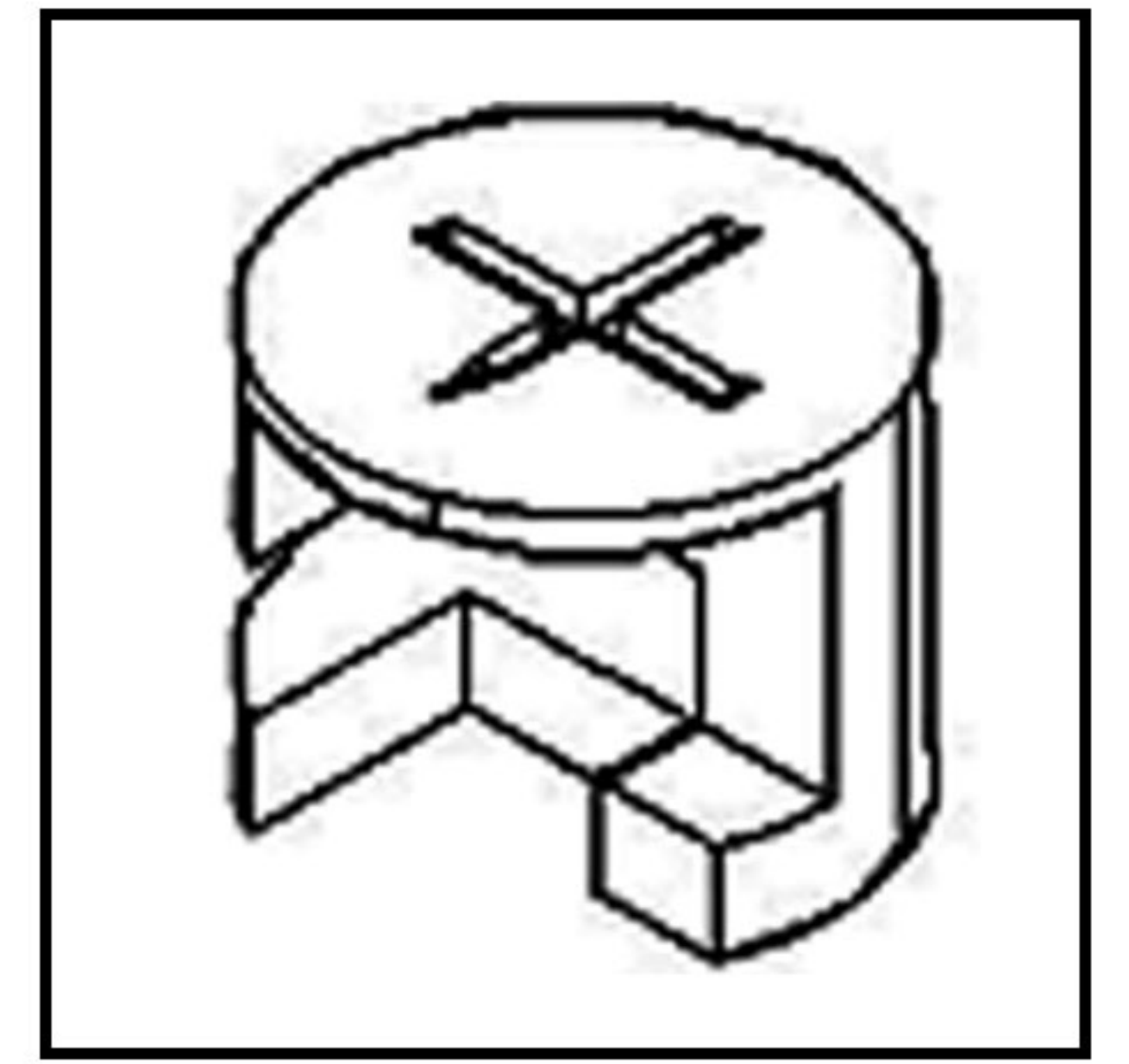


A



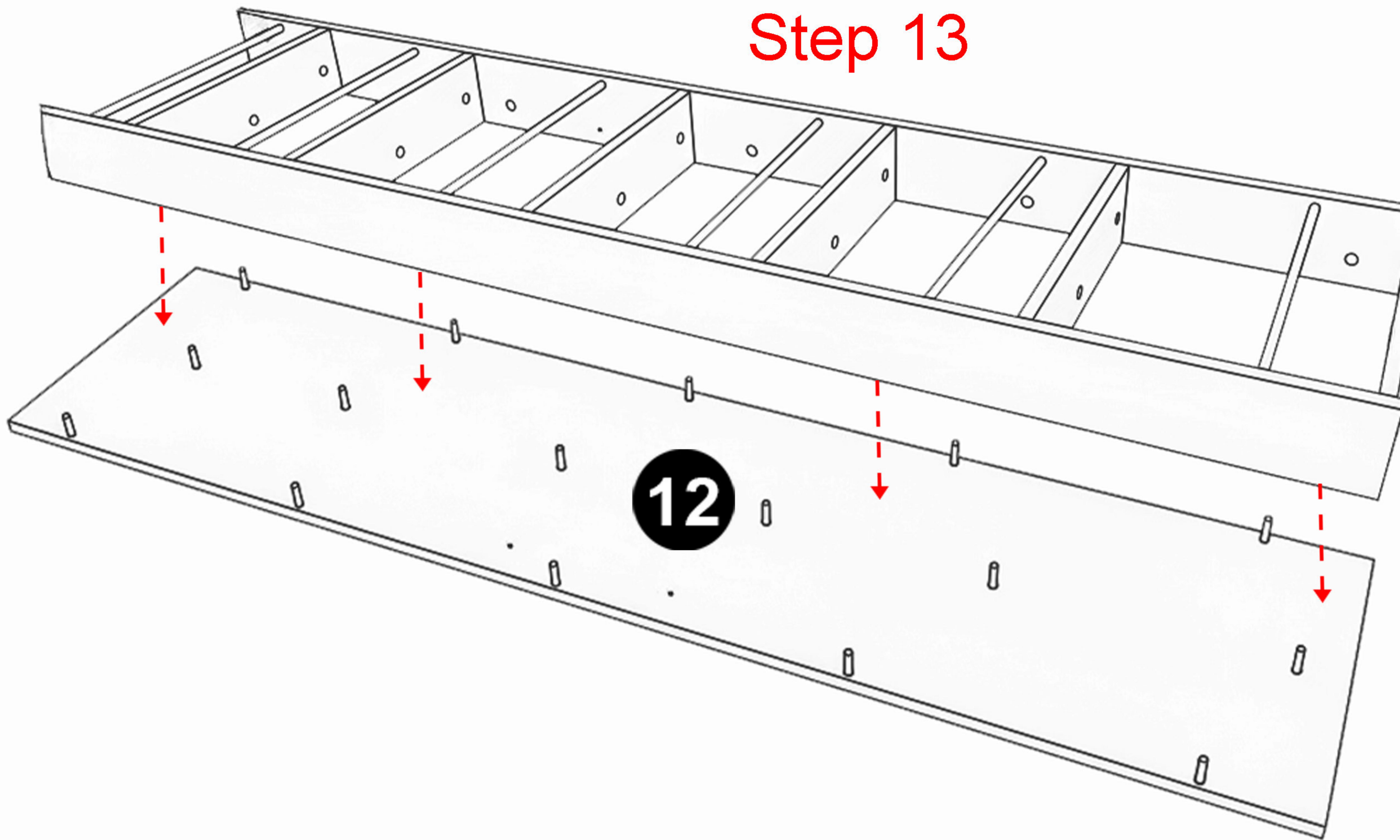
Secure with A.

Step 14:



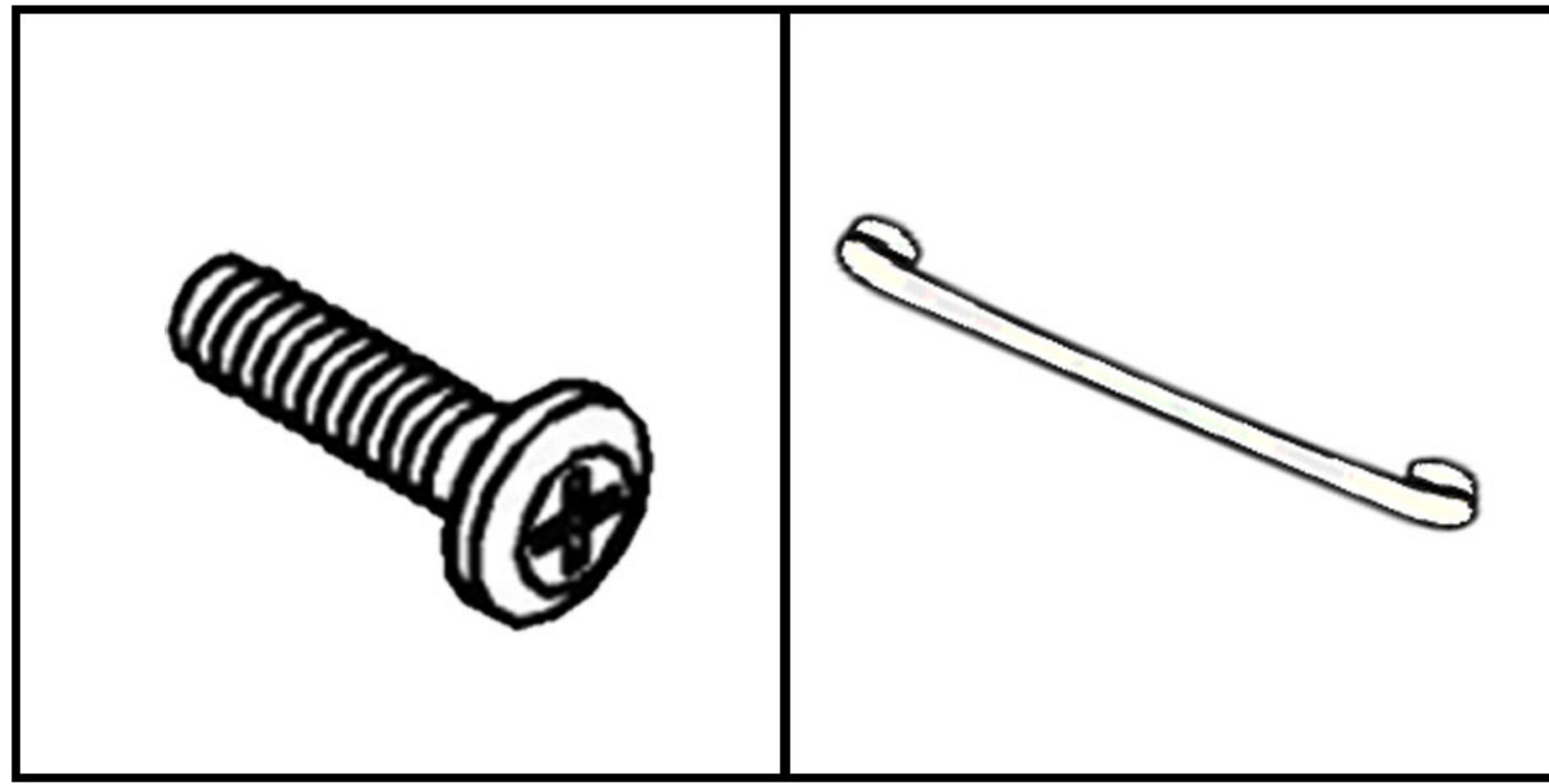
A

Step 13



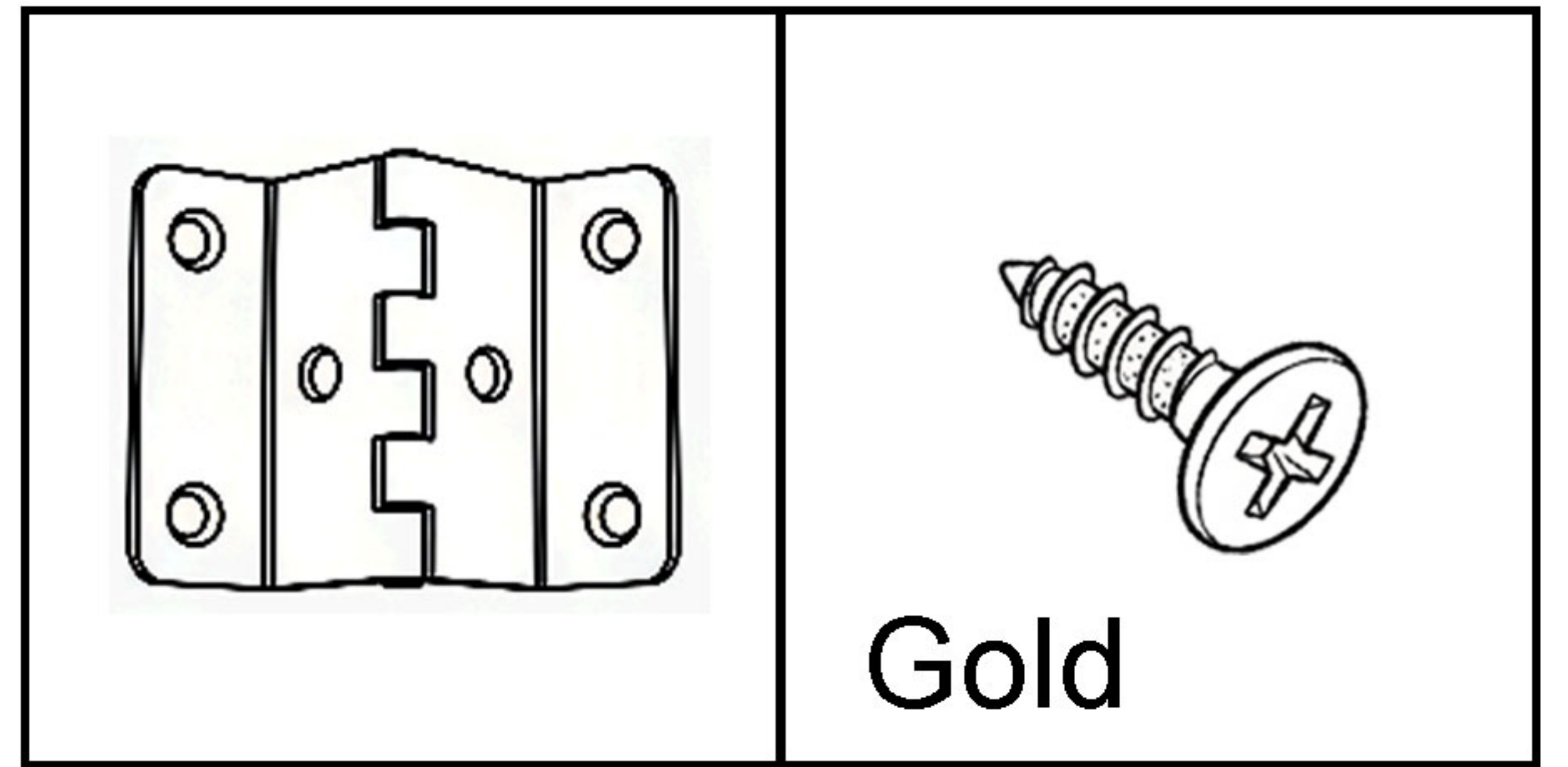
Secure with A.

Step 15:



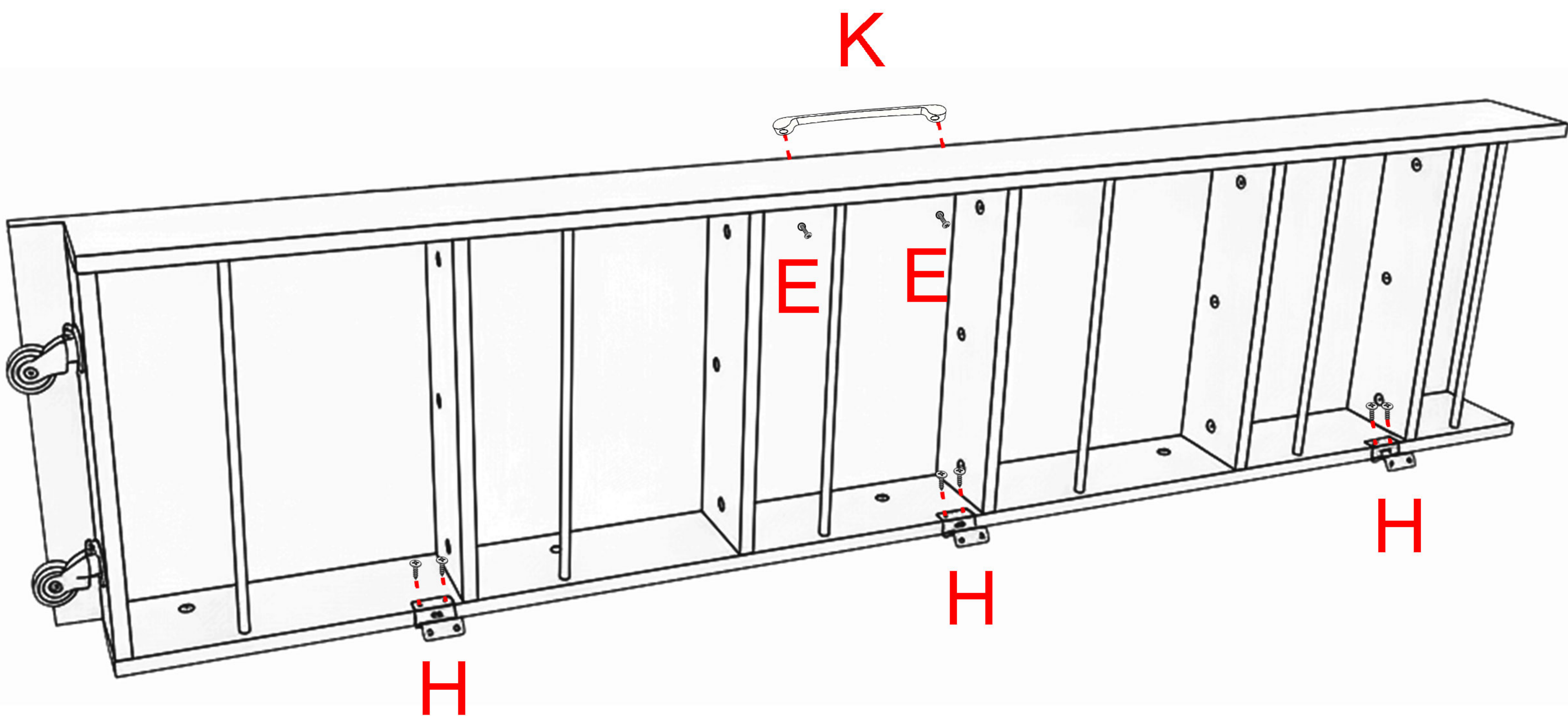
E

K



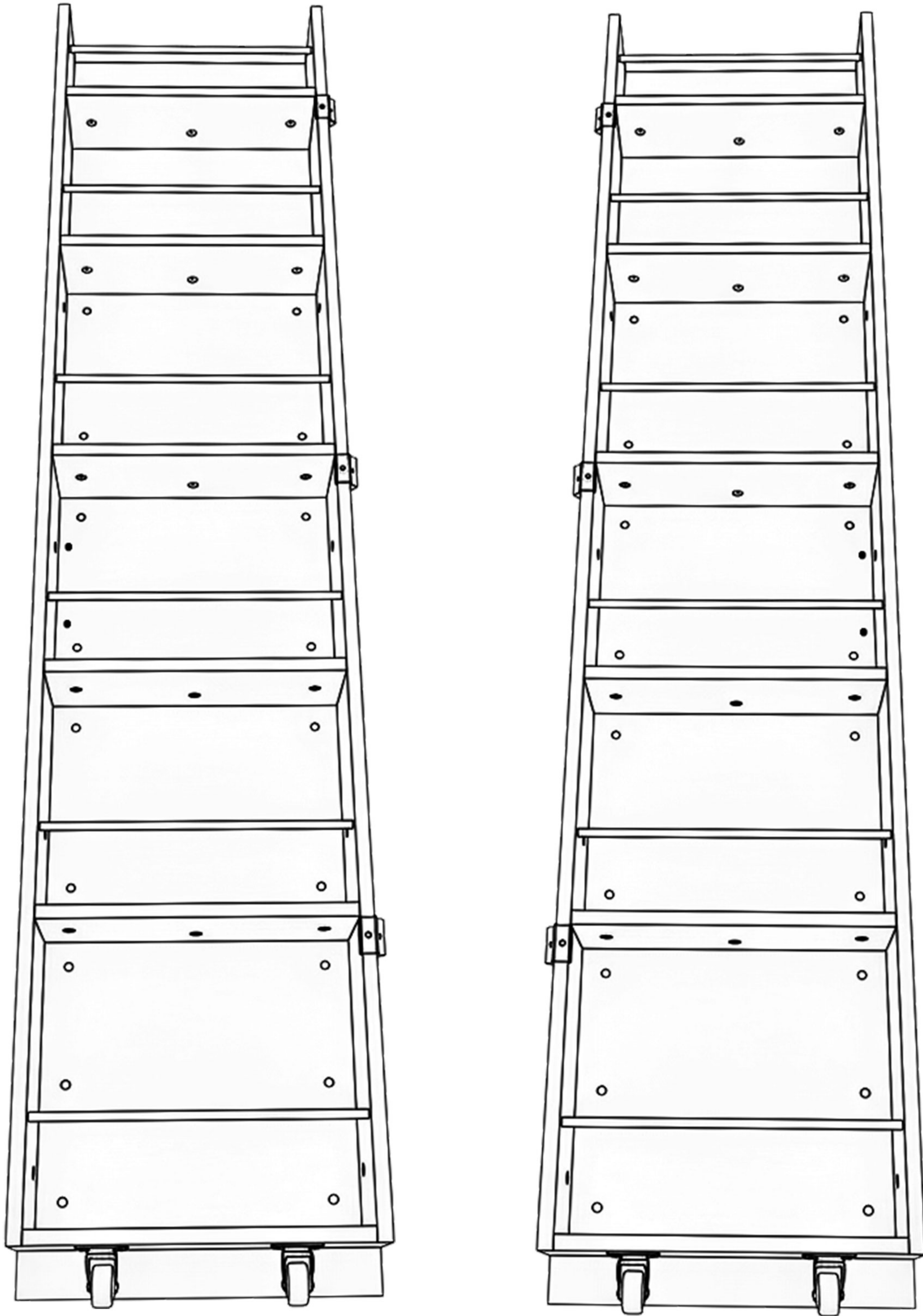
H

C



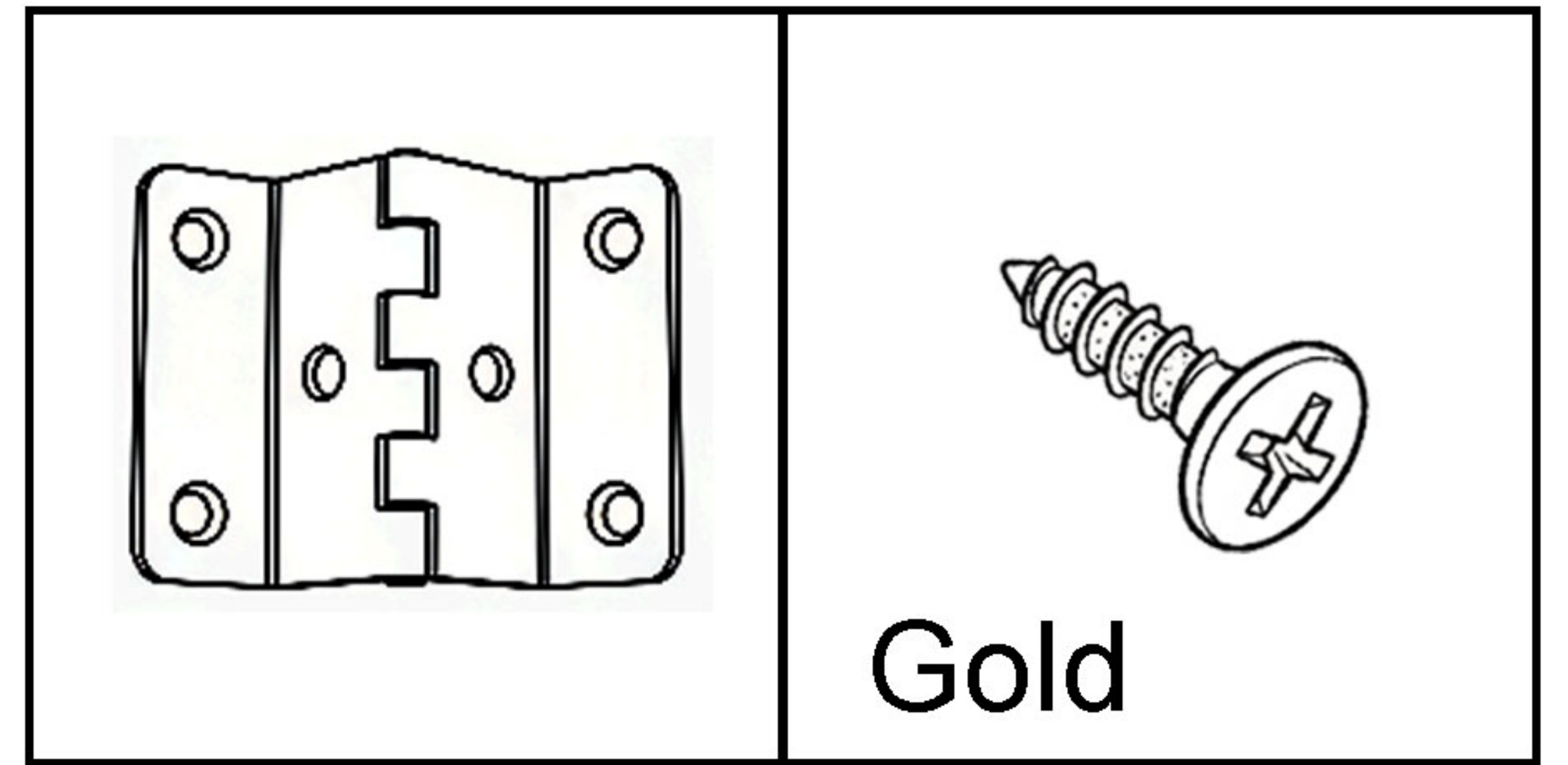
Use C to secure H.
Use E to secure K.

Step 16:



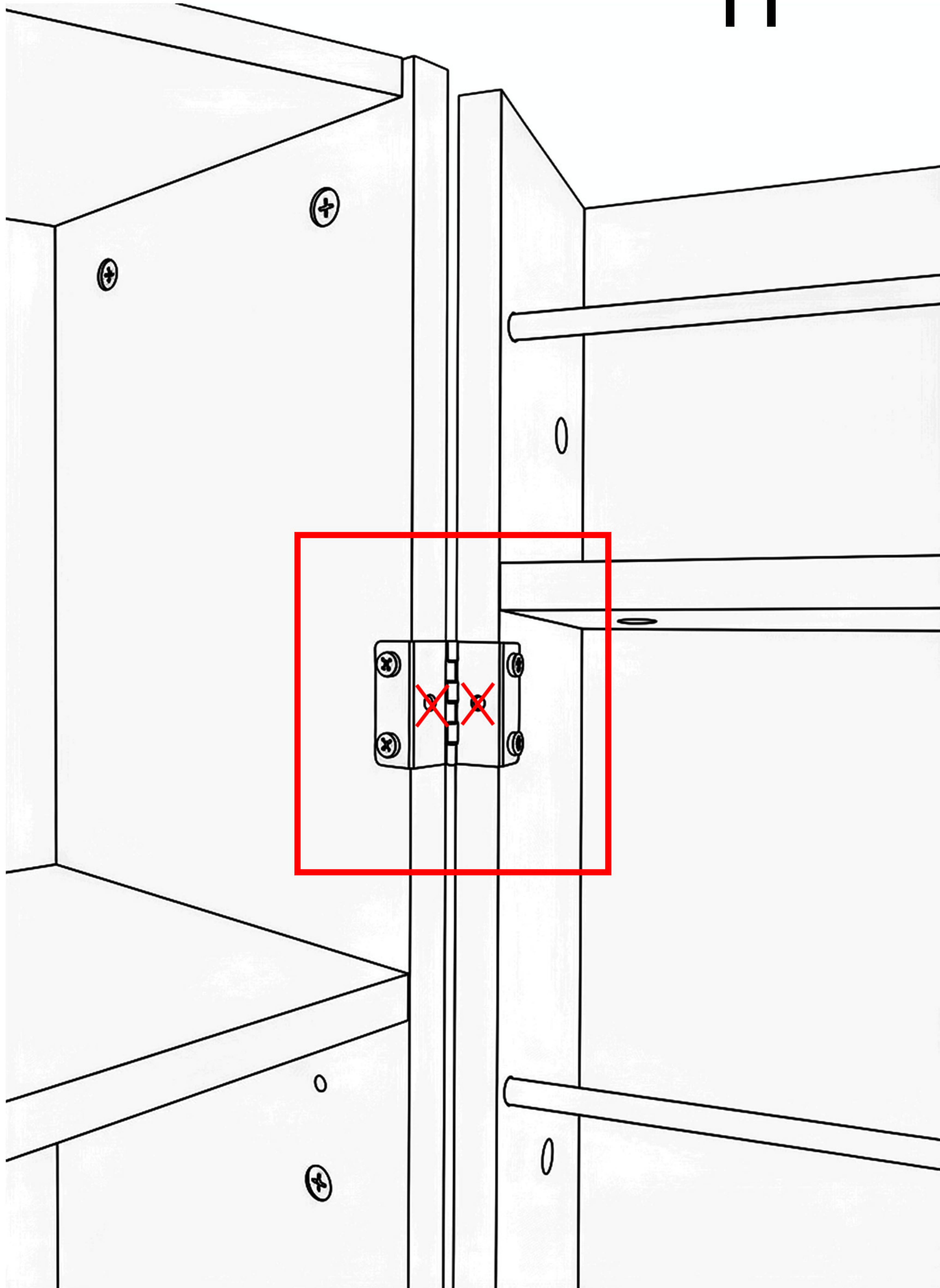
Install the left and right doors using the same method.

Step 17:



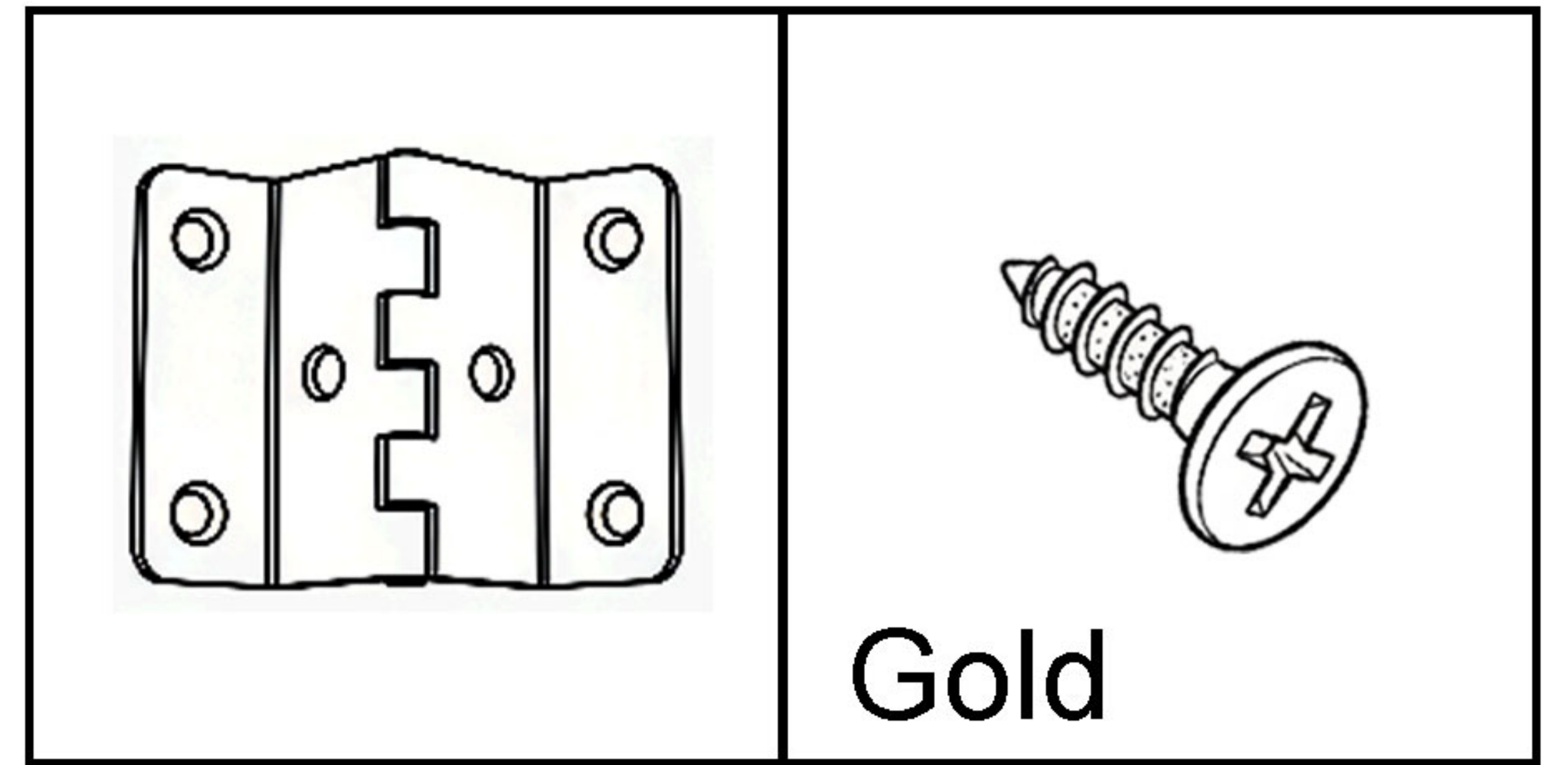
H

C



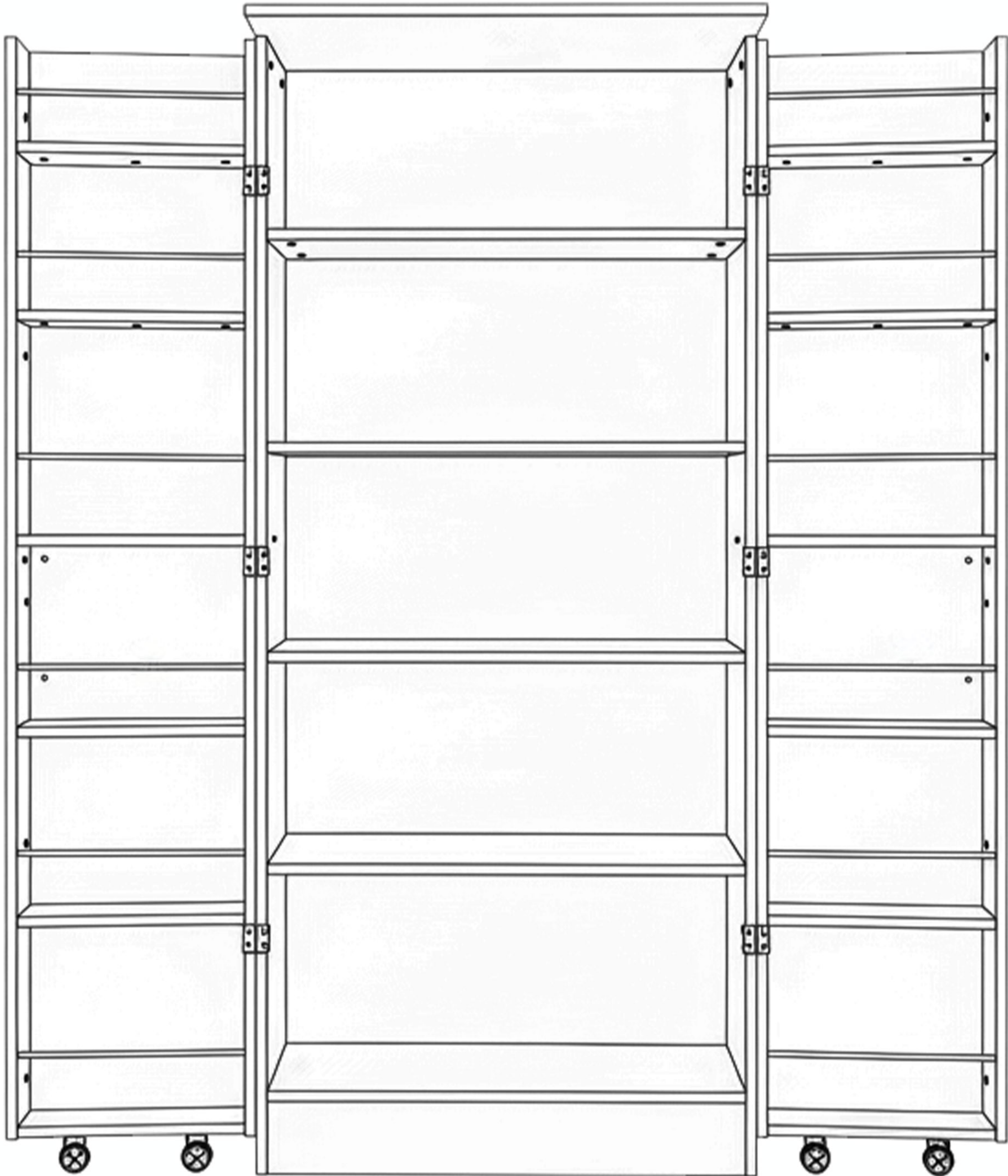
Note: Do not install anything in the two middle holes.

Step 18:

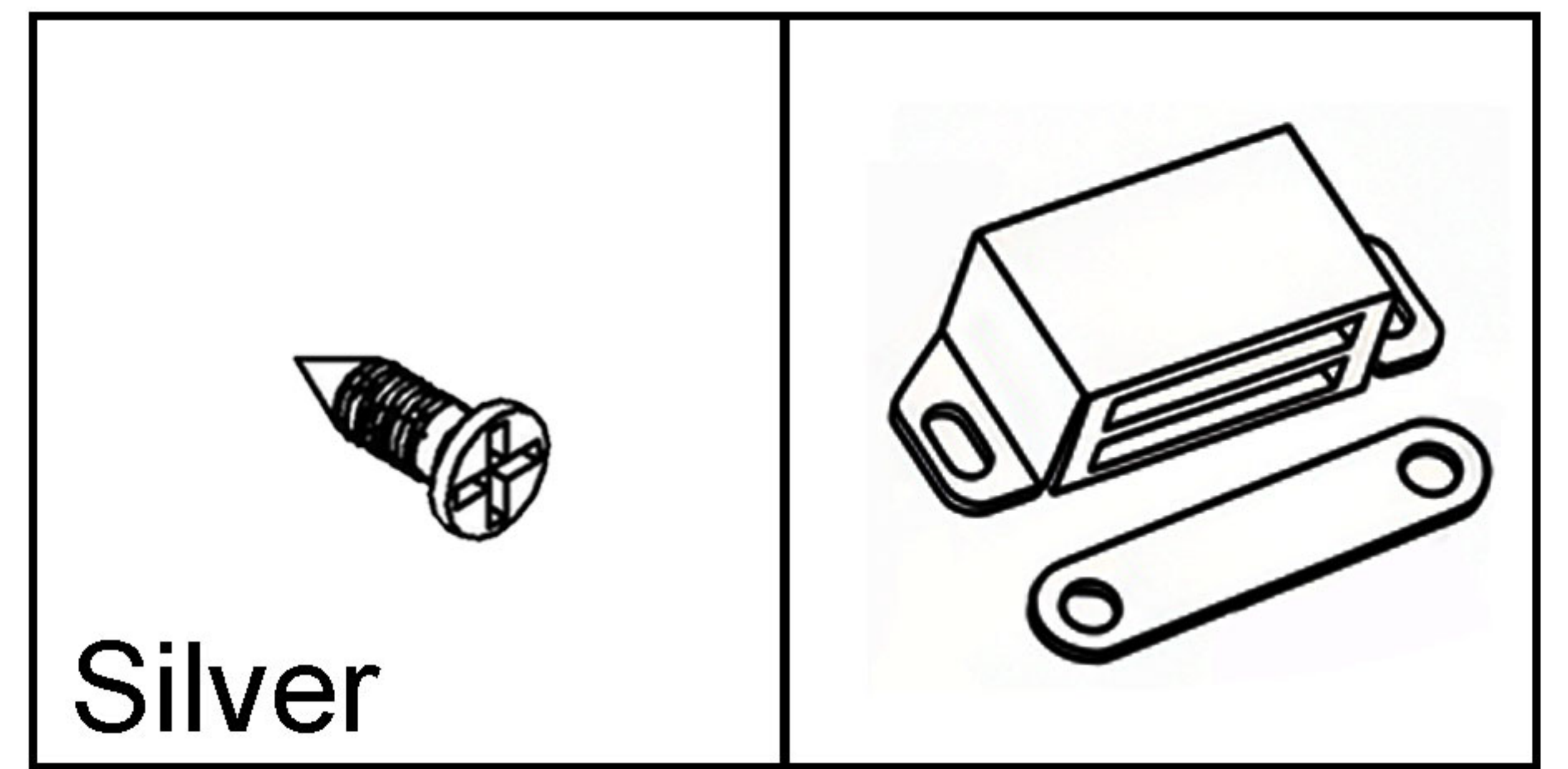


H

C

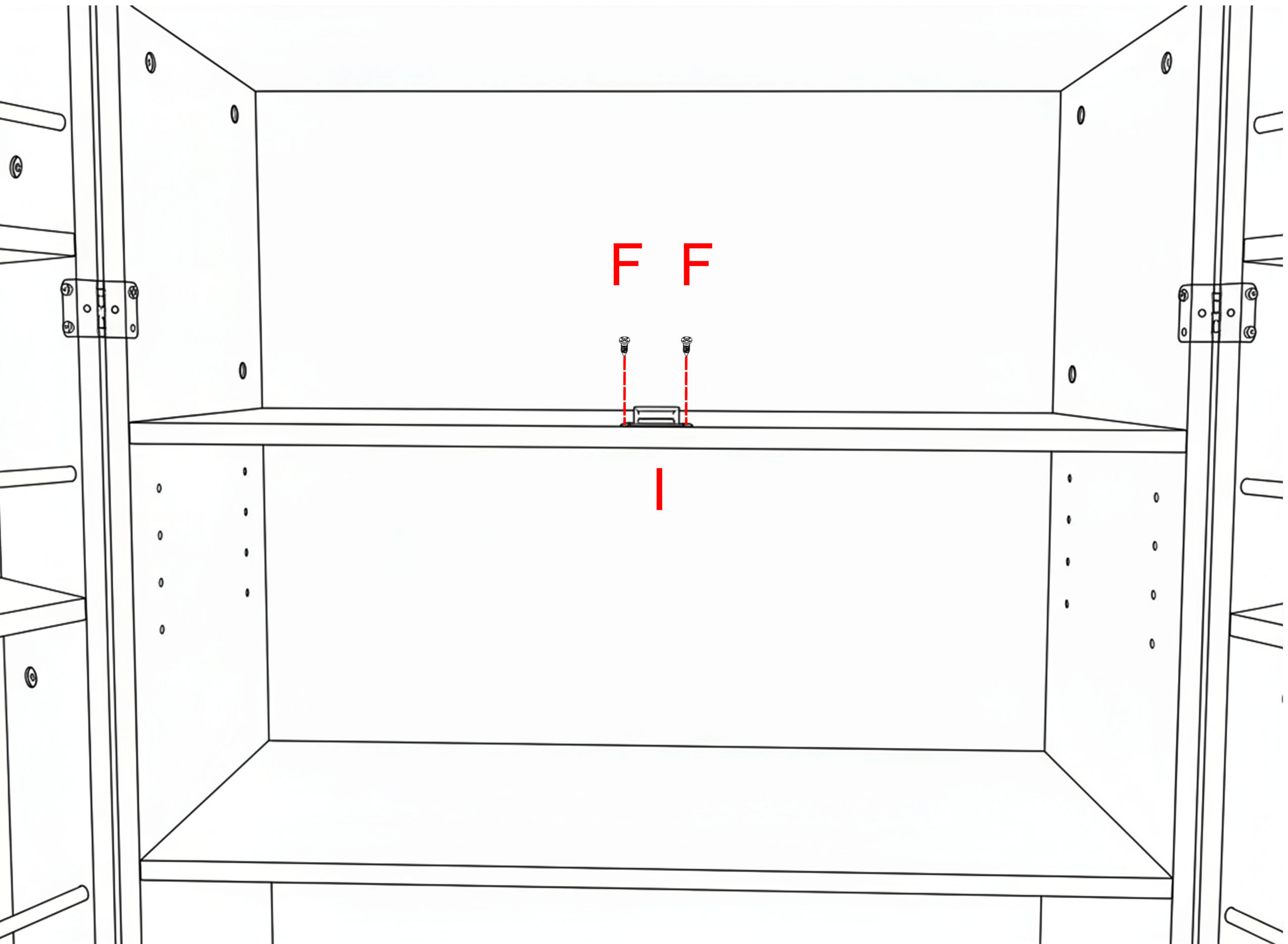


Step 19:



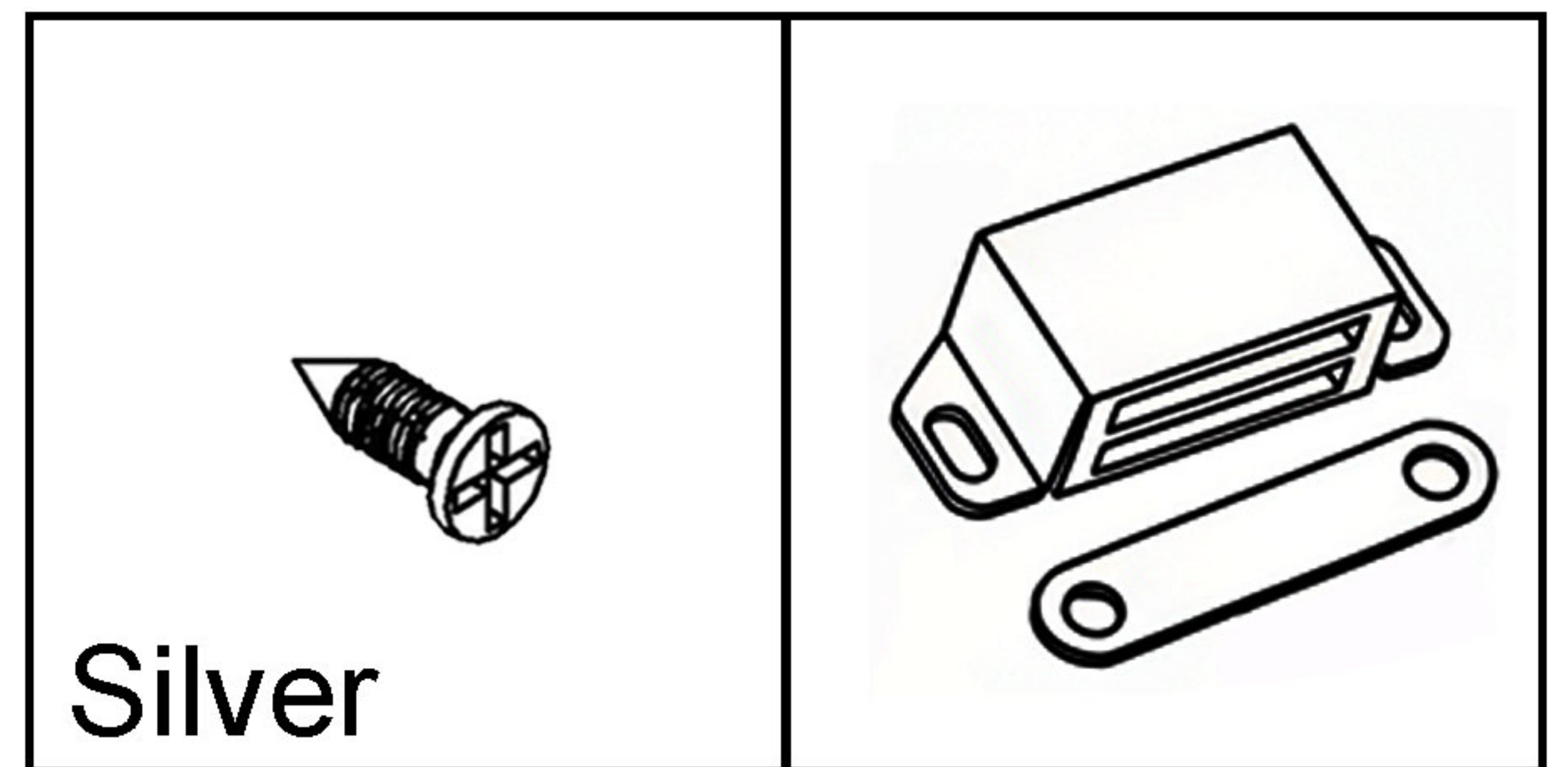
F

I



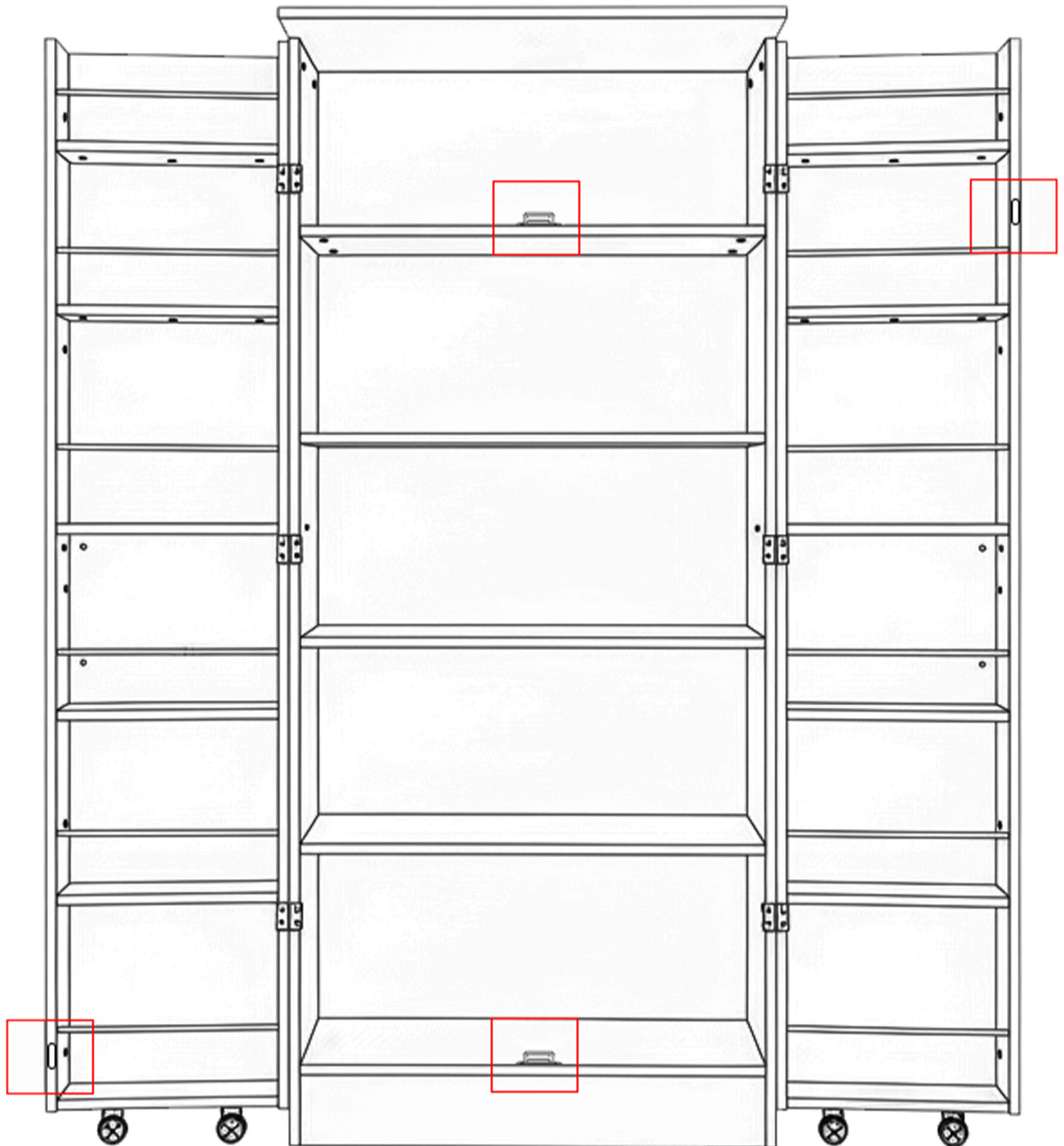
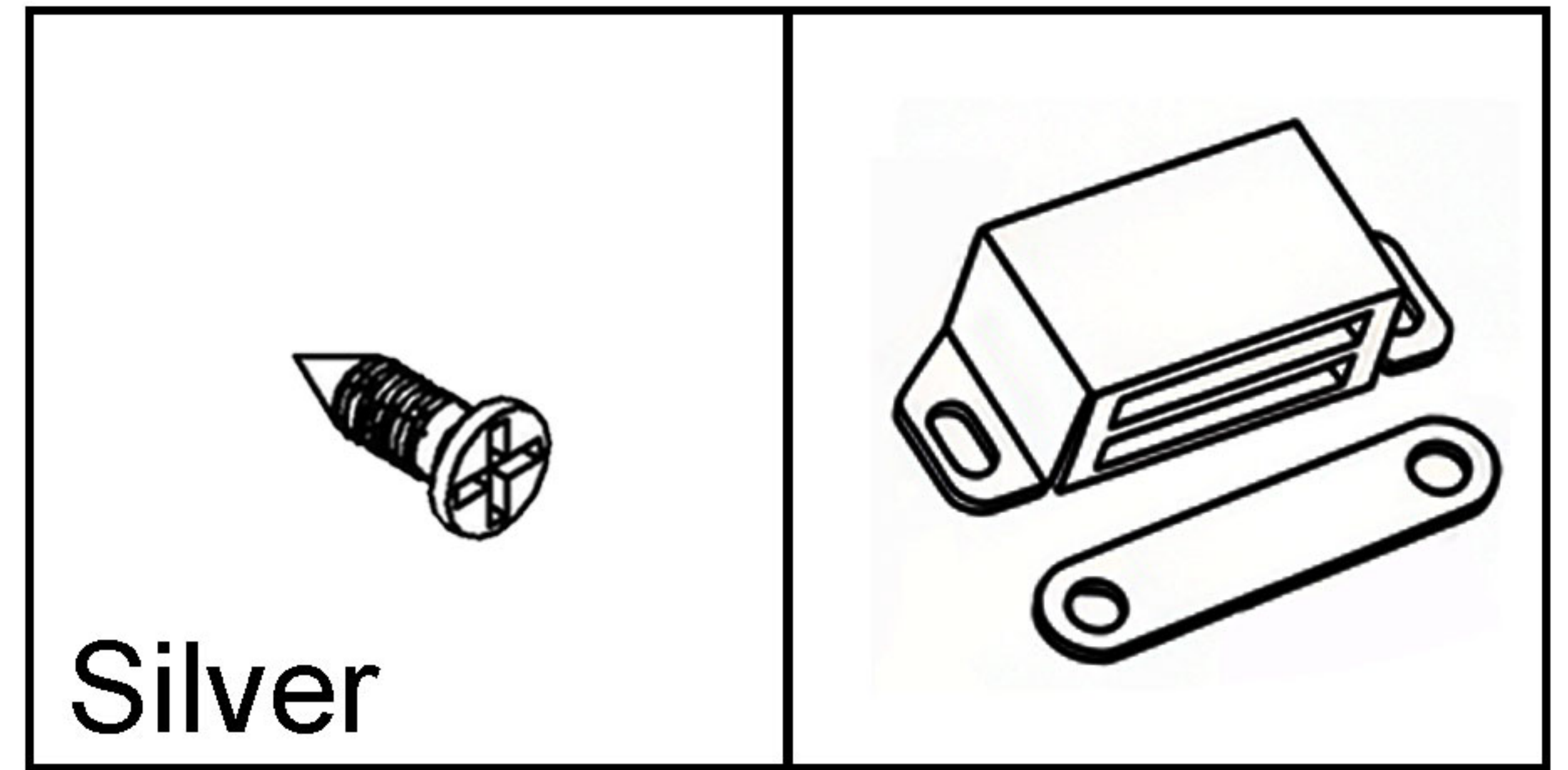
Use F to install I.

Step 20:



After measuring the correct distance, use F to attach the metal plate (I) onto the door.

Step 21:



Installation finished

