





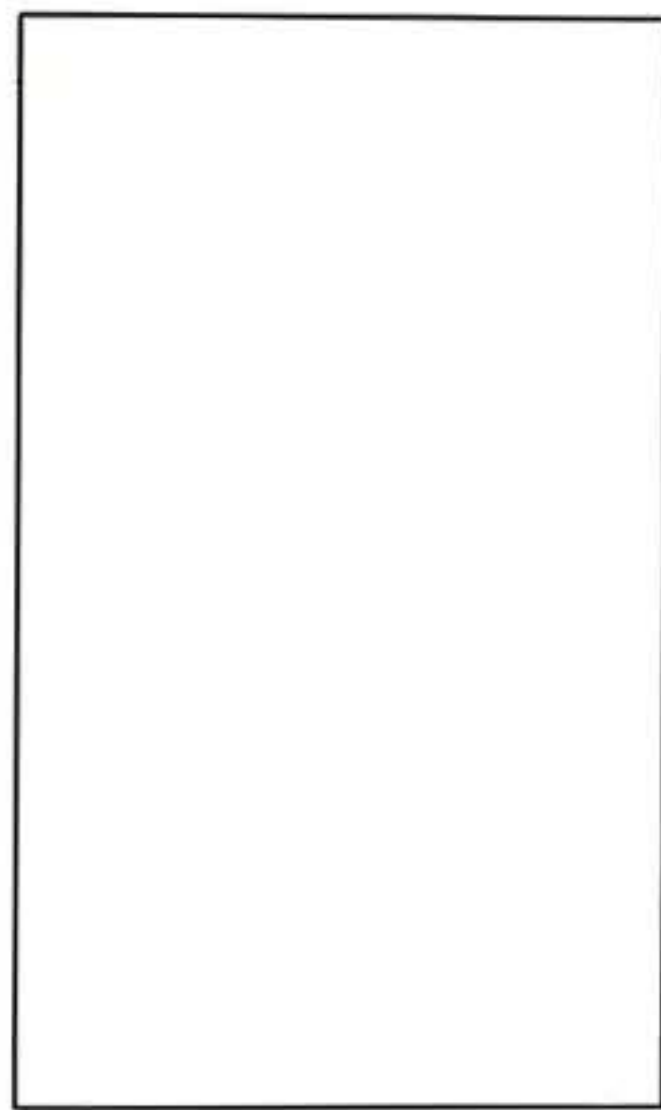


GD004 Installation Instruction

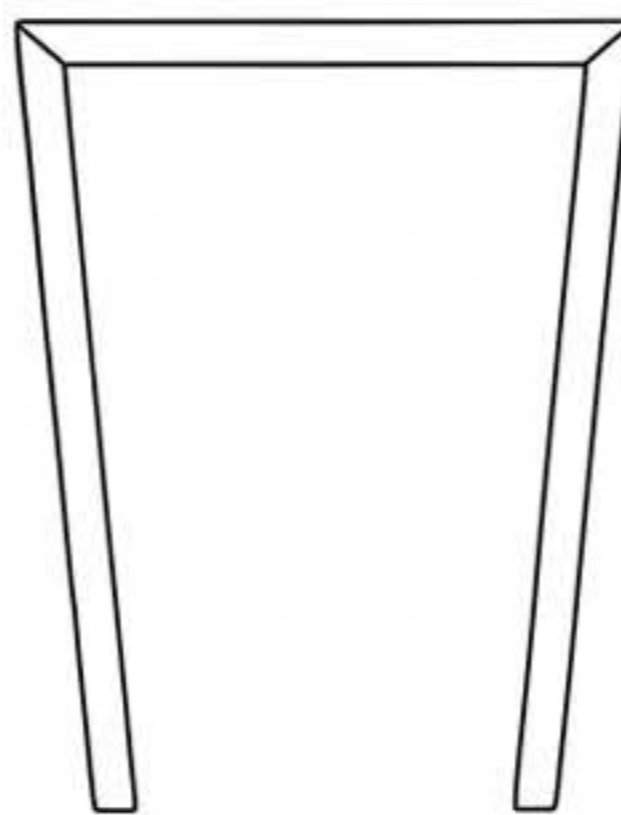
					
6.5cm Hex Screw	4.5cm Flat Screw	Allen Wrench	Foot	Flange Nut	End Cap
A*8	C*4	D*1	E*4	F*4	G*8

Warm Tips: During installation, tighten screws about 70%, and fully tighten them after everything is complete!

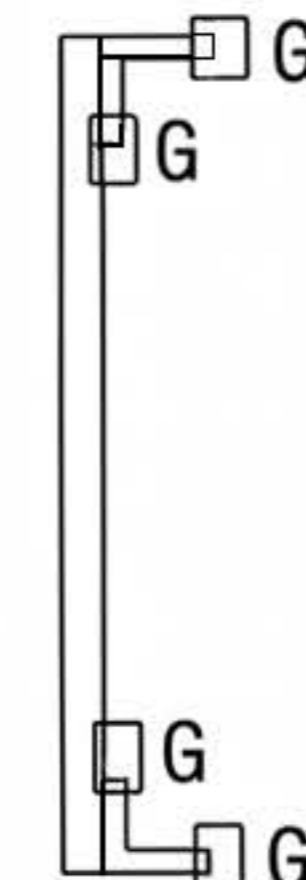
Part List & Numbers:



Desk Top
①*1



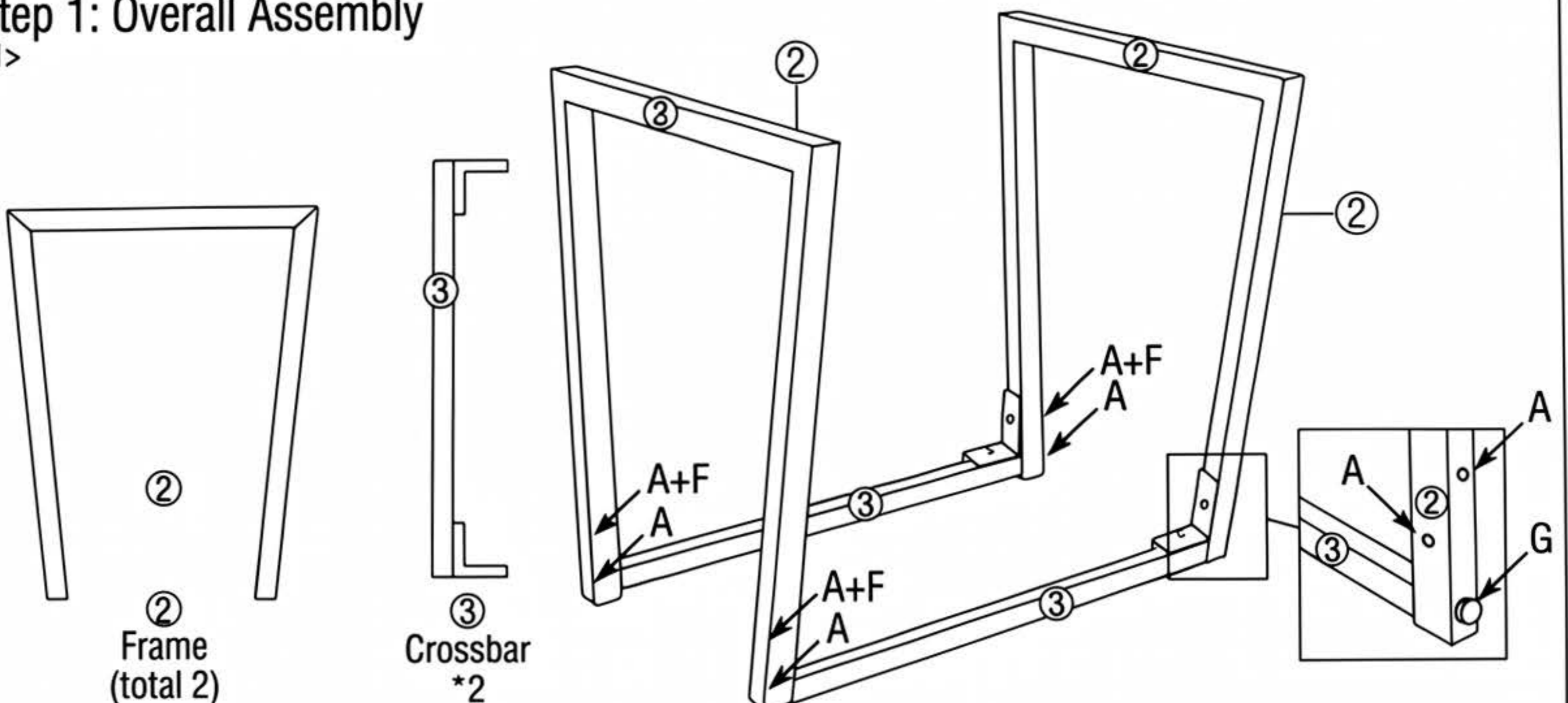
Frame
②X2



Crossbar
③X2

Step 1: Overall Assembly

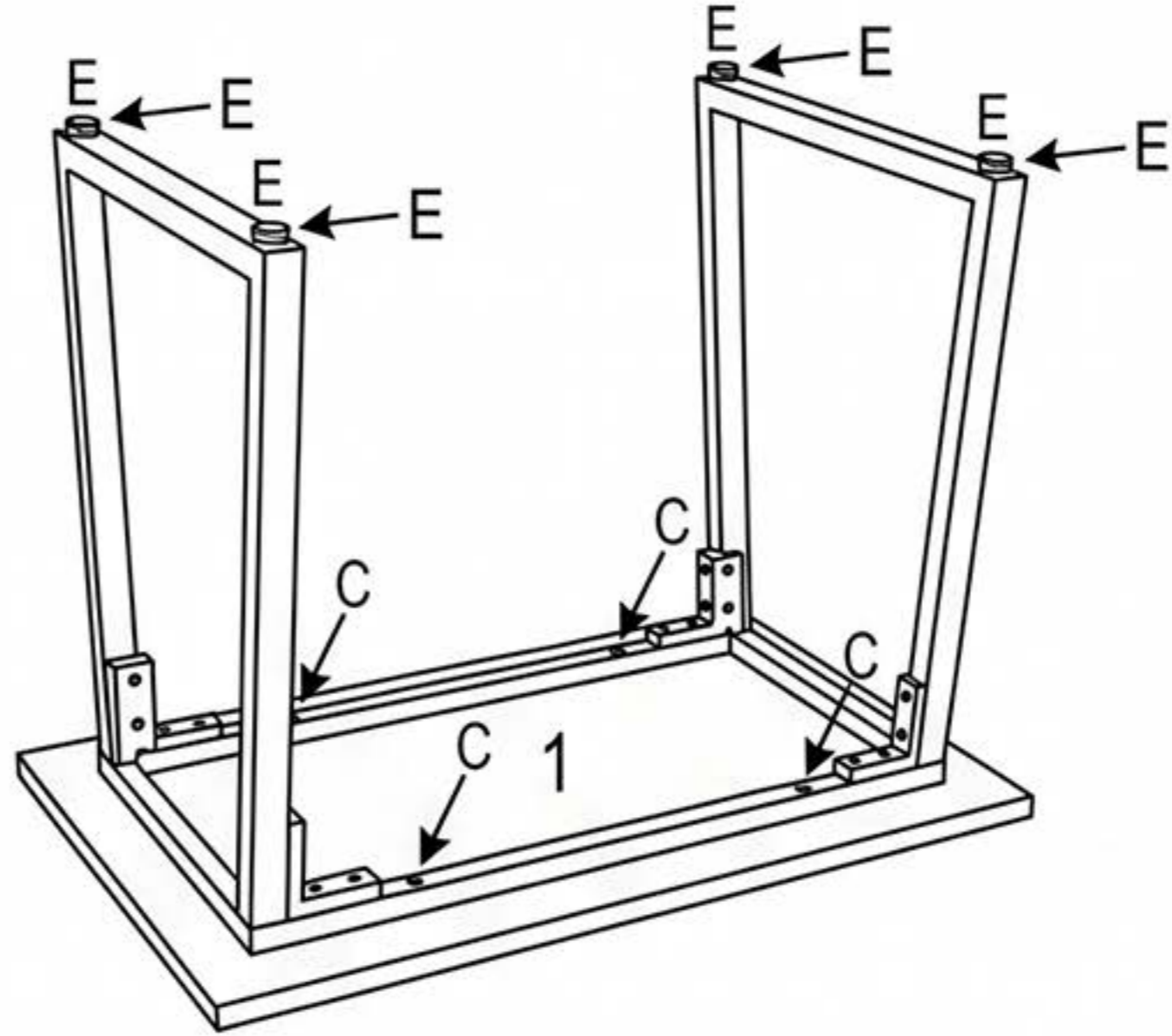
<1>



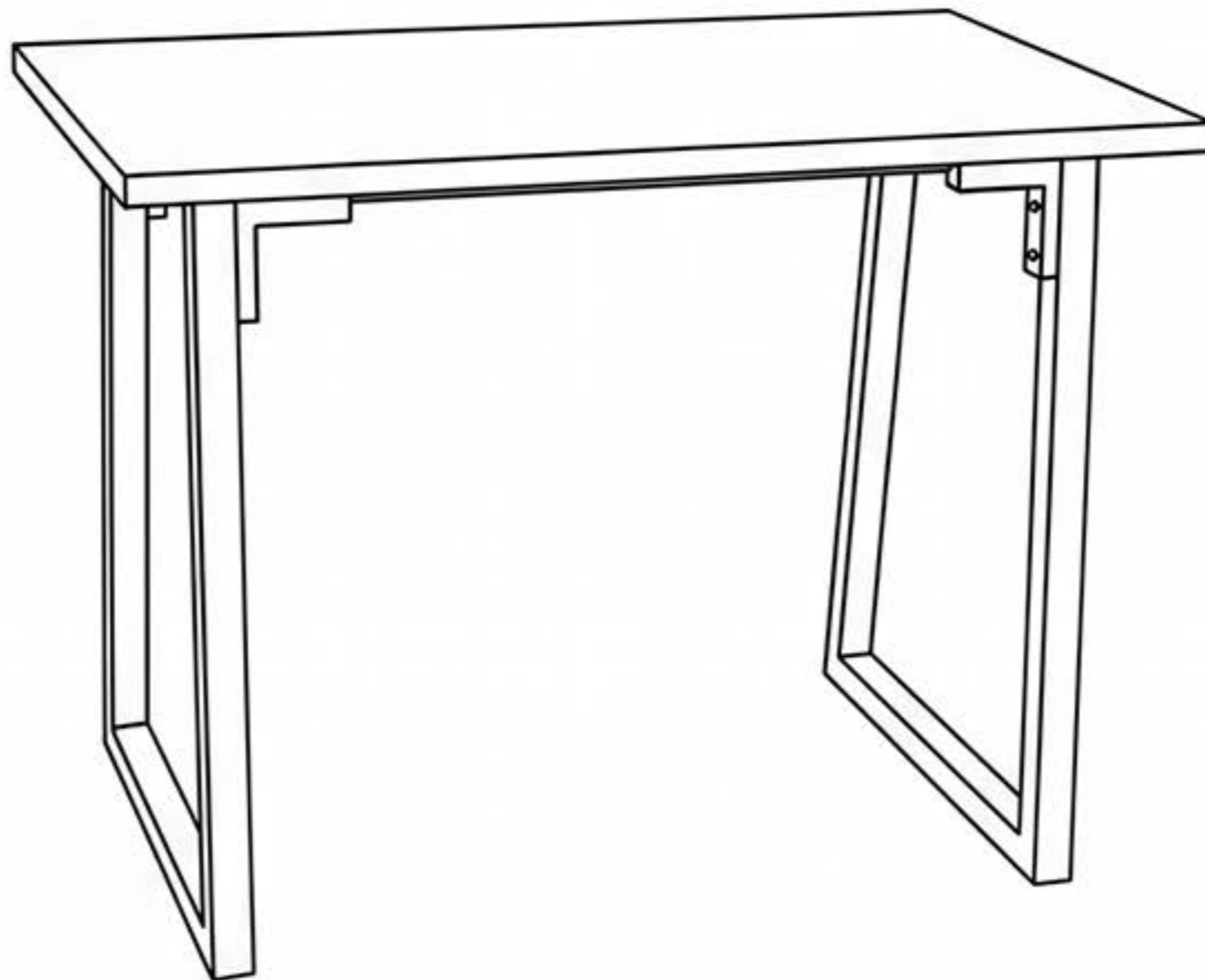
<2>



DESK TOP BOARD



<3> Overall Positioning, Complete



FINISHED VIEW!