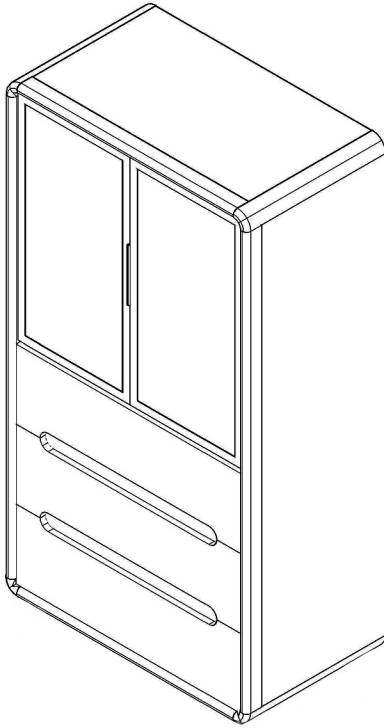
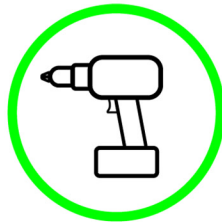


WCK020

Installation Instruction



Scan the code to purchase ES001



Please read this instruction manual carefully before installation and use.

Assembly notes:

1. First, make sure that all panels and parts are not damaged or missing.
2. During the installation process, be careful not to bump or scratch the panel surface.
3. Please read the instructions carefully before installation and install in order.
4. Please use each screw accessory strictly according to the instructions.
5. The slide needs to be split into two parts when in use. For the splitting method, see the slide instructions.
6. Please keep the packaging box in case of any problems. You can check the product model and production batch number printed on the outside of the packaging box.

Precautions after assembly:

1. After installation, check whether all parts are installed and the locks are locked.
2. Check the overall stability of the cabinet to see if there is any vibration.
3. When using the lock, do not use excessive force to avoid damage to the lock. Just turn it clockwise until it cannot turn.

NOTE: ES001 - 3 Speed Portable Cordless Electric Screwdriver is highly recommended for installation.

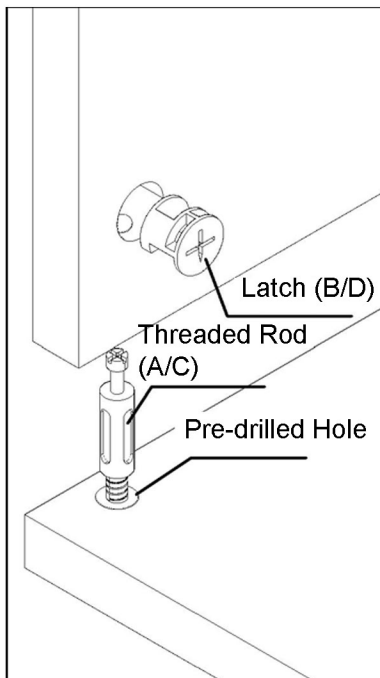
Hardware List

Accessory Appearance	Code	Dimensions	Numbers	Unit	Accessory Appearance	Code	Dimensions	Numbers	Unit
	A	∅7*40mm	52	Piece		J		4	Piece
	B	∅15*12mm	52	Piece		K	∅5*15mm	8	Piece
	C	∅5*15mm	12	Piece		L	∅6*35mm	8	Piece
	D	∅12*10mm	12	Piece		M	∅8*40mm	32	Piece
Blue	E	∅3.5*12mm	24	Piece		N	∅6*40mm	16	Piece
35mm	F	∅3.5*35mm	8	Piece		O		8	Piece
40mm	G	∅3.5*40mm	12	Piece		P	300mm	3	Pair
Gold	H	∅3.5*14mm	16	Piece	Black	Q		8	Piece

BoardMaterial List

Code	Dimensions	Numbers	Code	Dimensions	Numbers
1	625*43*24	2	11	282*60*12	3
2	1205*43*24	2	12	632.5*58.5*23	1
3	401*38*38	4	13	632.5*58.5*23	1
4	622.5*355*23	1	14	244.5*58.5*23	2
5	622.5*355*23	1	15	646.5*198.5*15	3
6	1202.5*355*23	2	16	300*116*15	6
7	650.5*60*15	2	17	597*116*15	3
8	649*346.5*15	1	18	609*294*4	3
9	324.5*1230.5*12	2	19	322.5*620*19.5	2
10	650.5*351*15	1			

Installation Guide: Threaded Rod, Latch, Pre-drilled Hole A + B is large, C + D is small

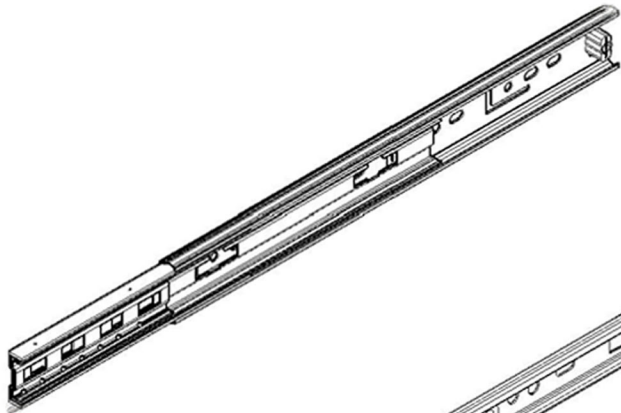


1. Screw the A/C (Threaded Rod) into the Pre-drilled Hole
2. Insert the installed A/C into the corresponding hole of the other piece. Press B/D (Latch) into the hole. Note that the cross arrow corresponds to the insertion direction of the Threaded Rod.
3. Use a cross screwdriver to tighten Latch clockwise. Be careful not to use excessive force.

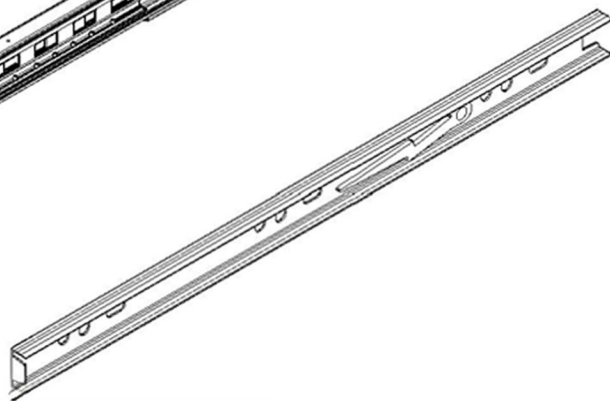
P (Sliding Rail) Installation Instructions

When installing P, use with screw E

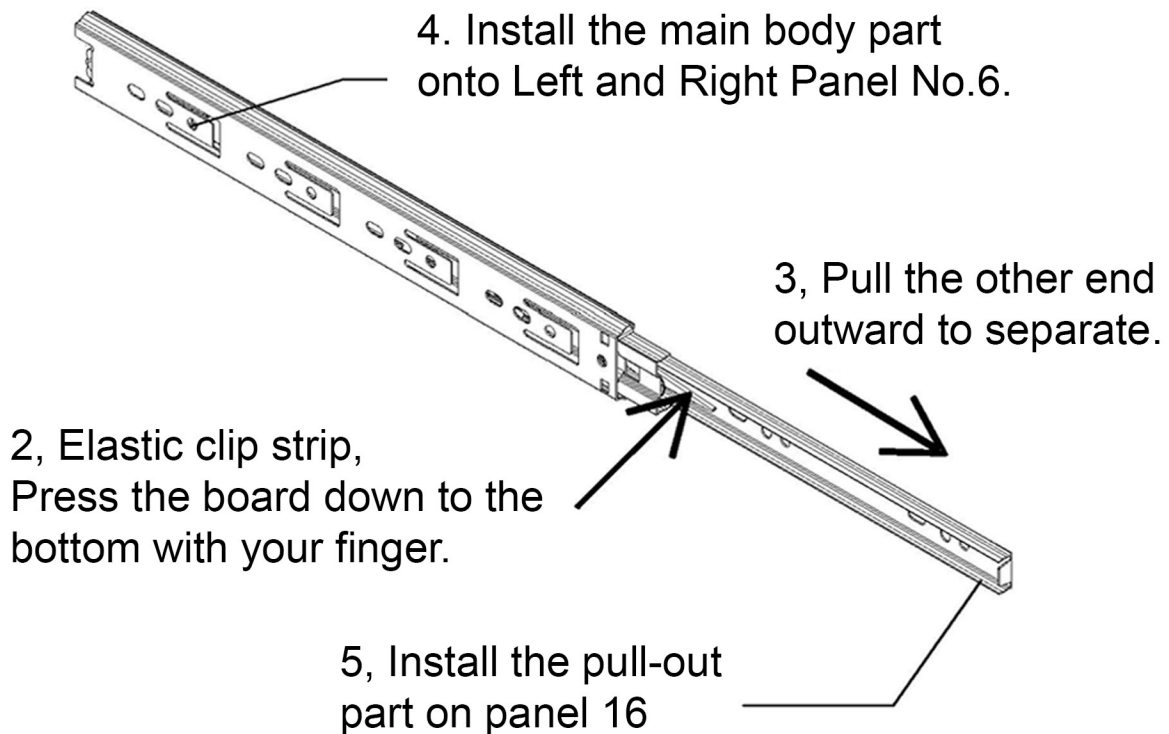
1, Separate P (Sliding Rail)



The main body part

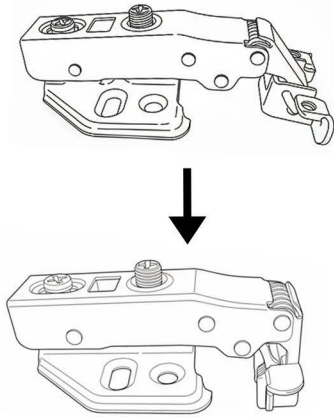


The pull-out part



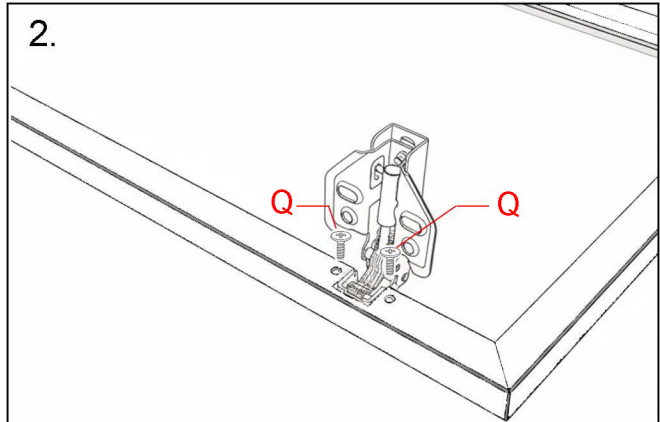
Detailed description of the main components, please read carefully
Hinge Installation Instructions

1.



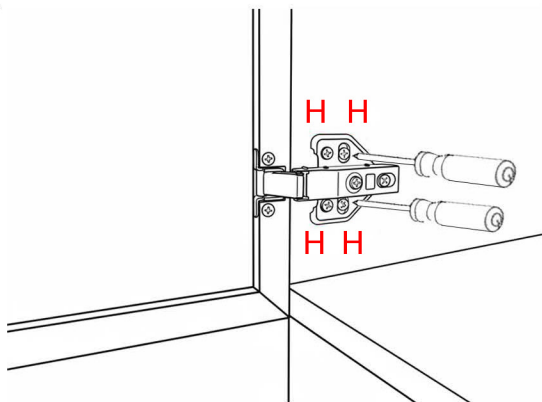
Fold the hinges as shown in the diagram.

2.



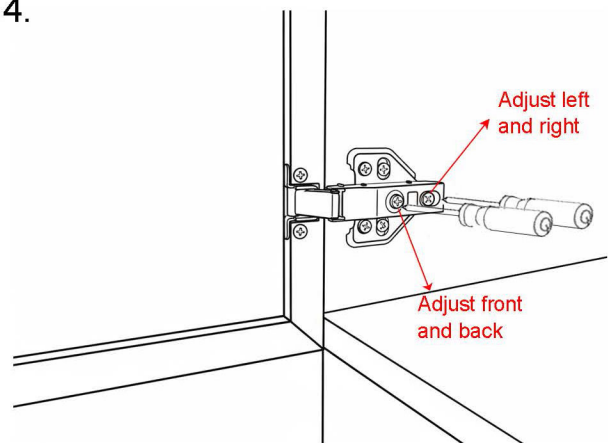
Install the hinge onto the door and ensure it is secure.

3.



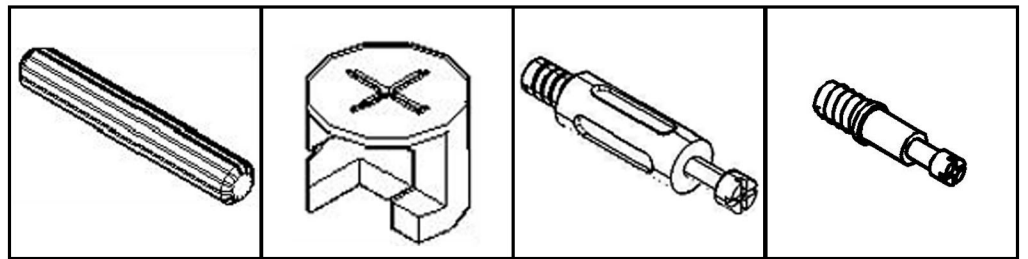
The height can be adjusted up and down here.

4.



Adjusting the gap between the door.

Step 1:

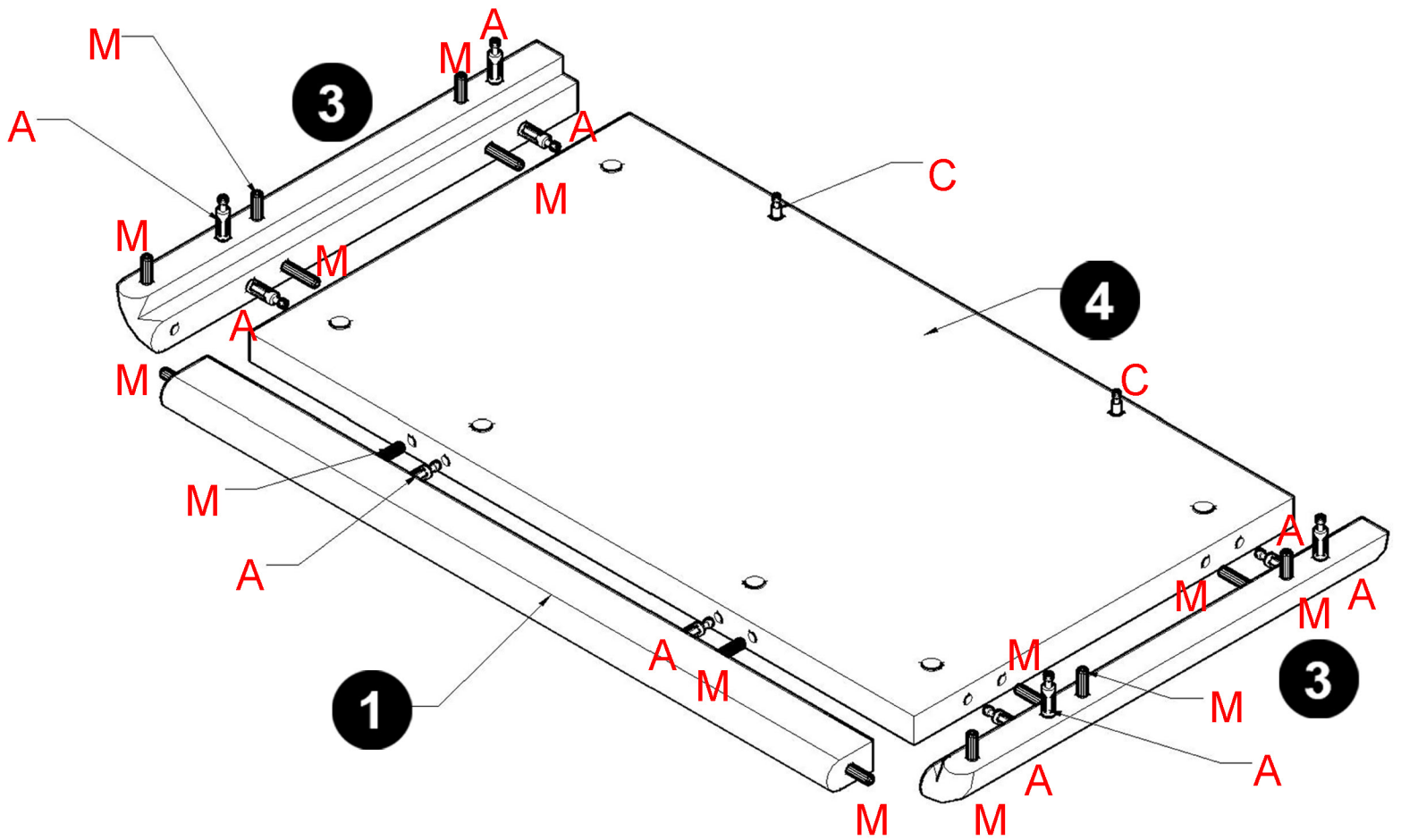


M

B

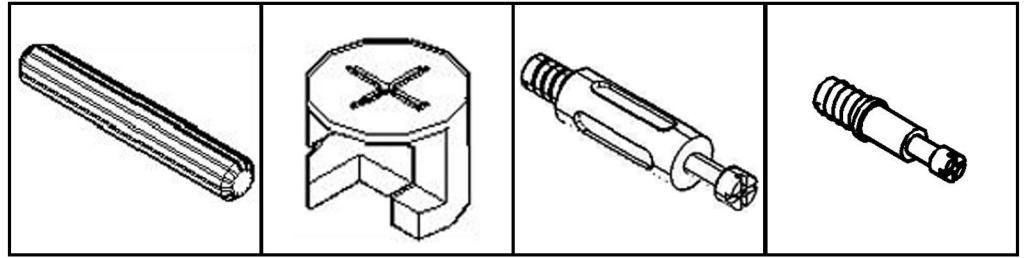
A

C



Secure with B.

Step 2:

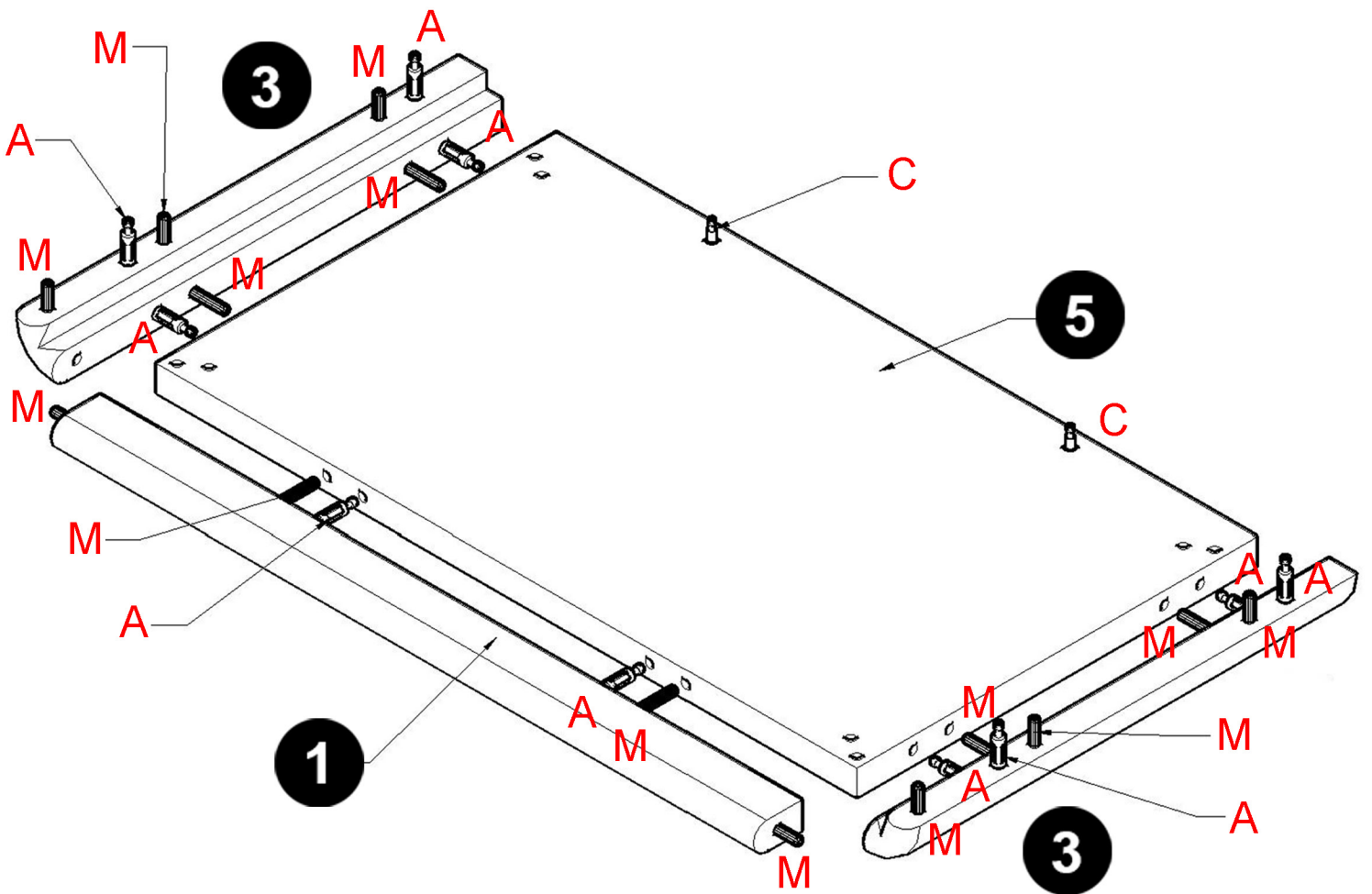


M

B

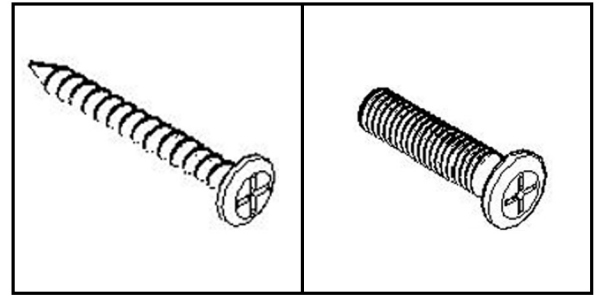
A

C



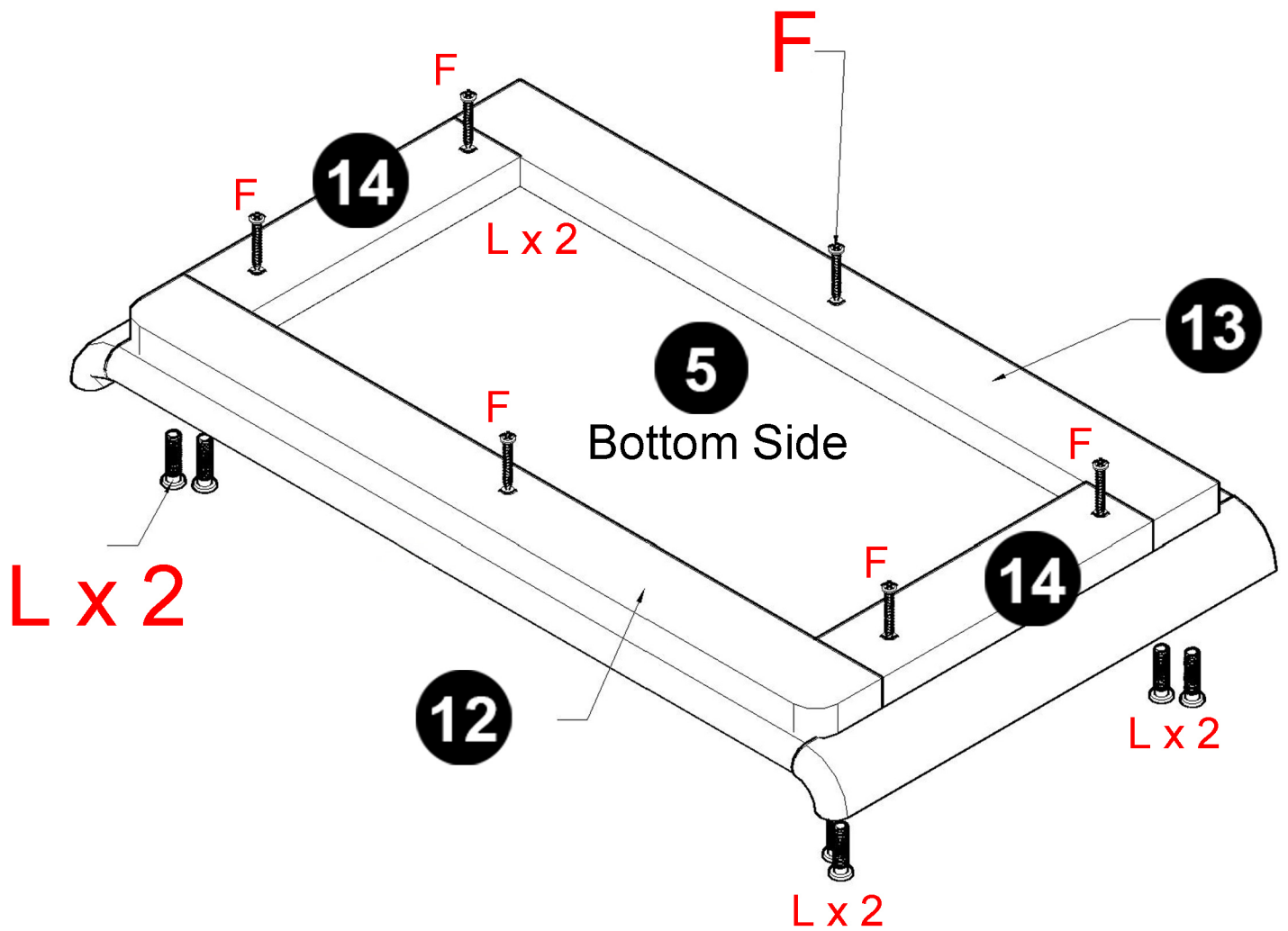
Secure with B.

Step 3:



F

L



L x 2

12

5
Bottom Side

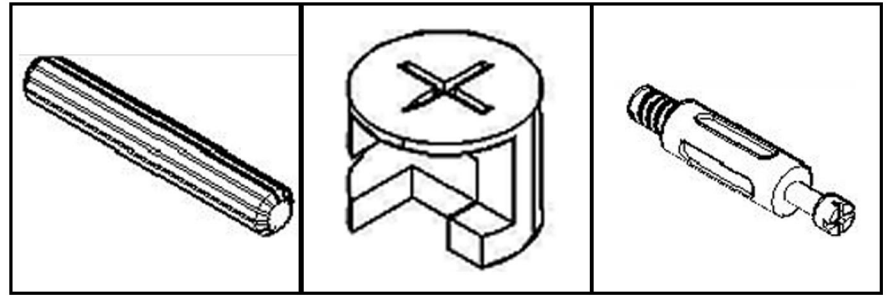
13

14

L x 2

L x 2

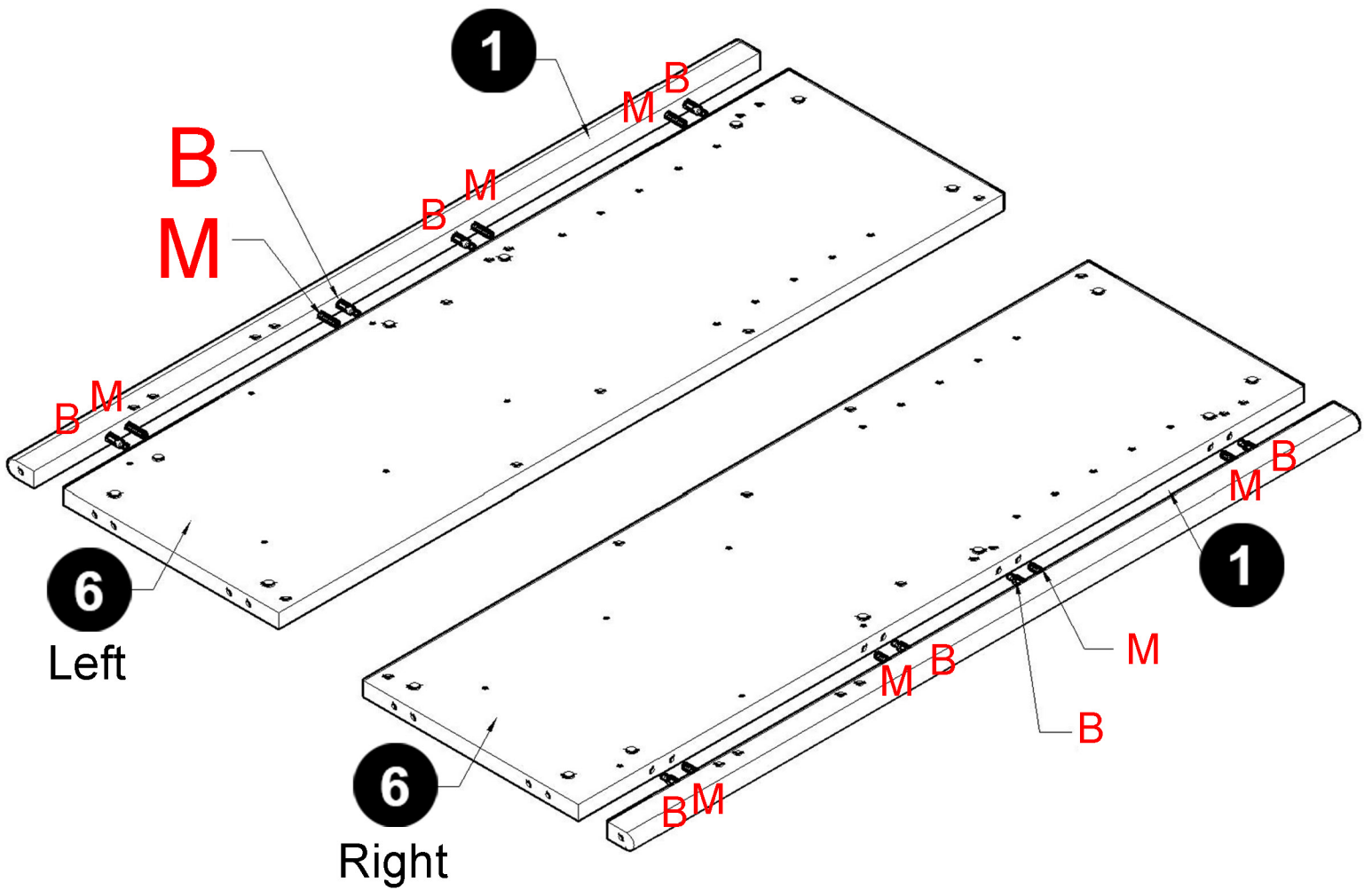
Step 4:



M

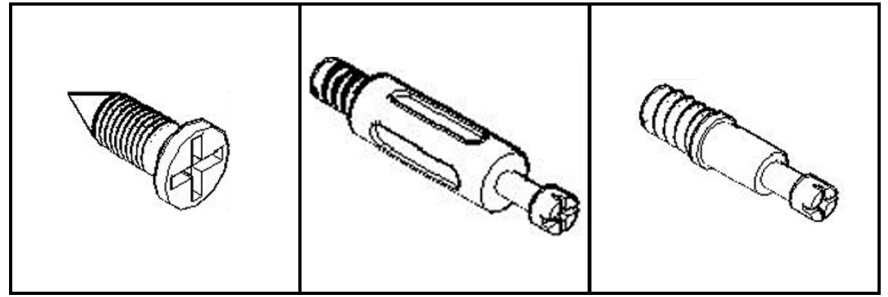
B

A



Secure with B.

Step 5:

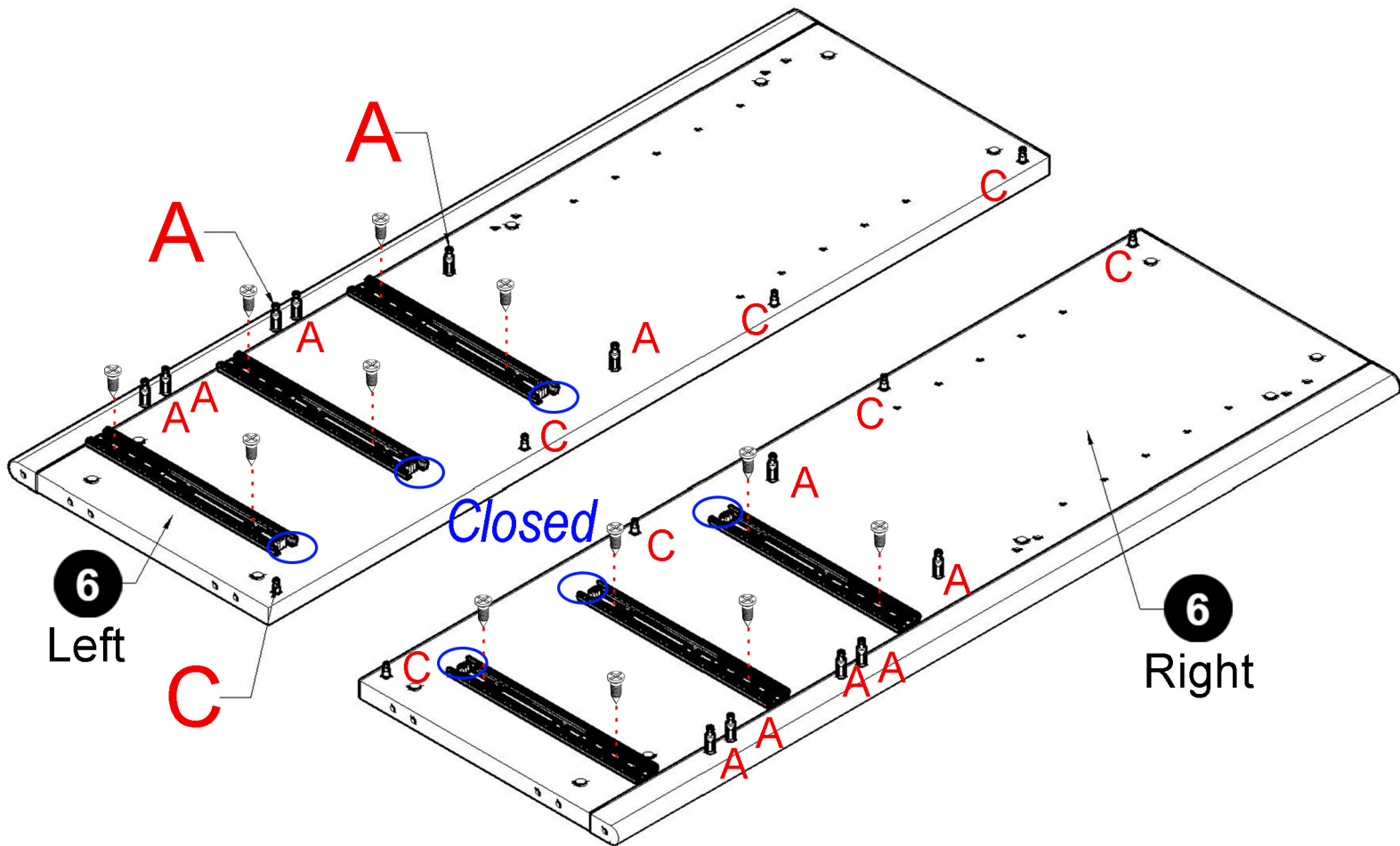


E

A

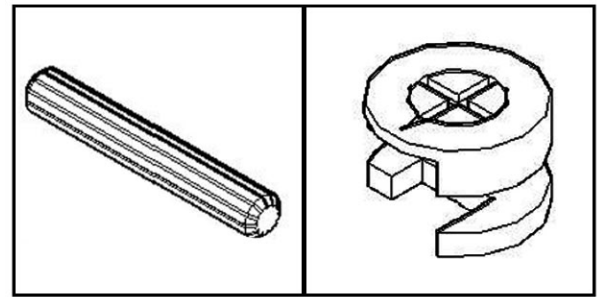
C

P The main body part x 6



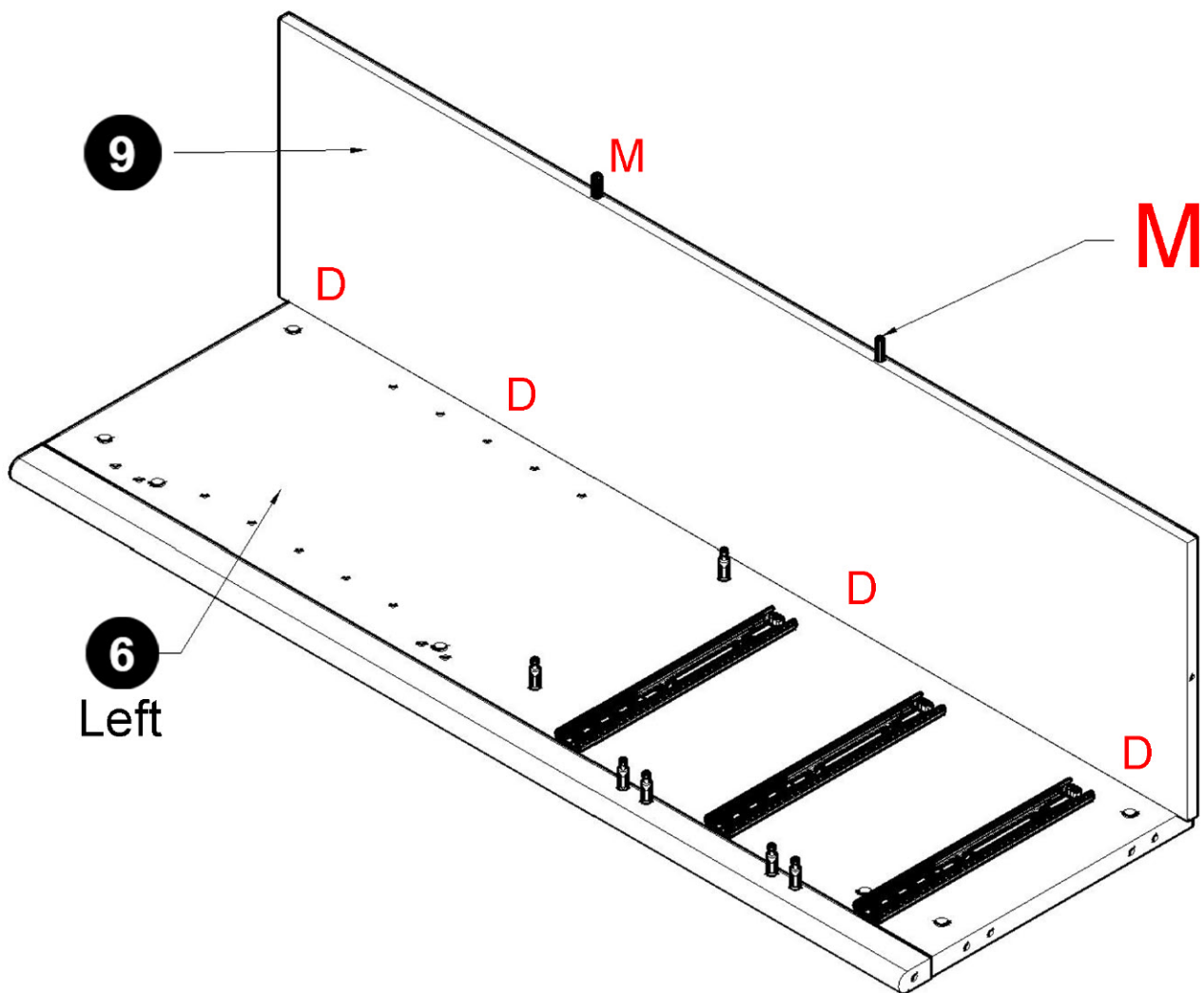
Secure the main body (Part P)
with E.

Step 6:



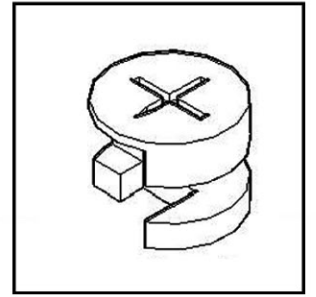
M

D

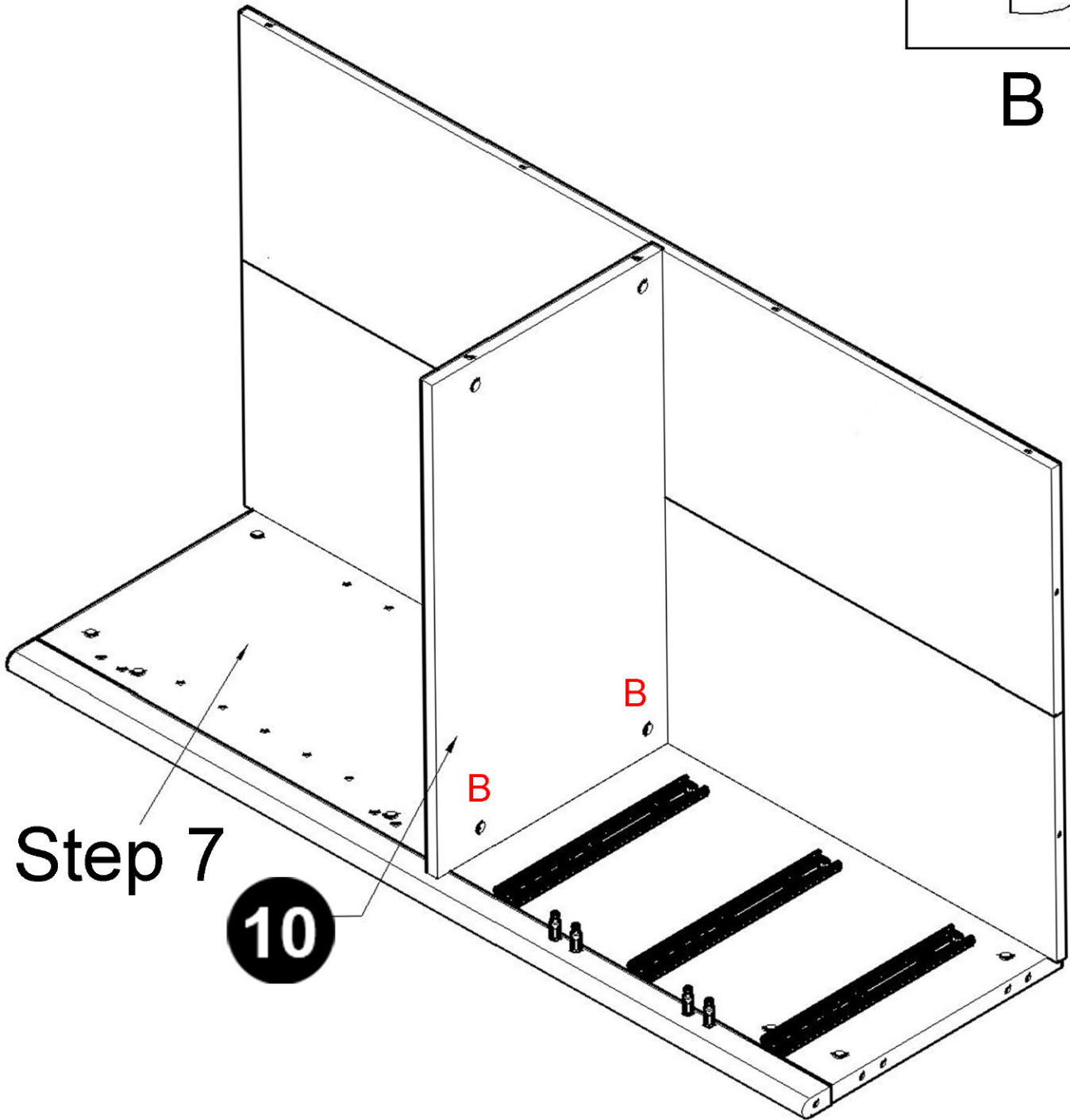


Secure with D.

Step 8:



B

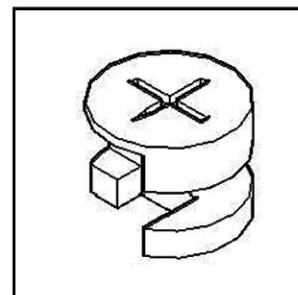


Step 7

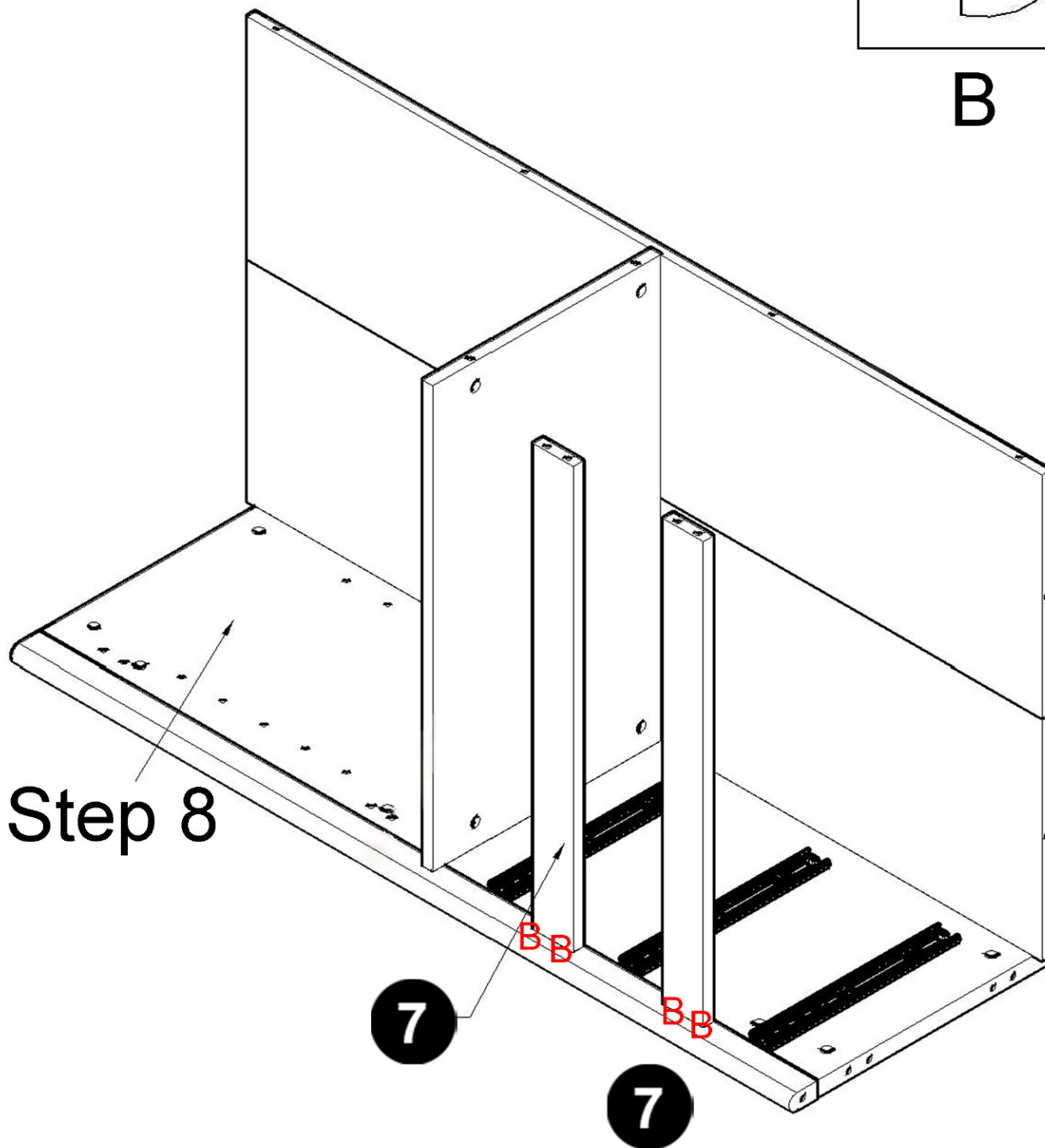
10

Secure with B.

Step 9:

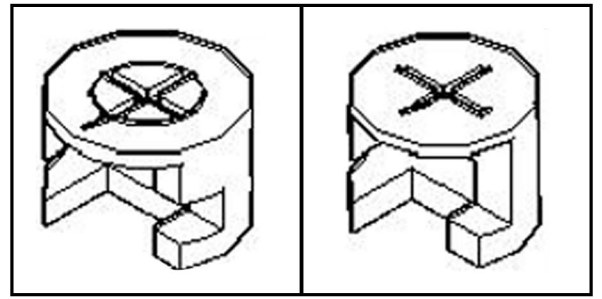


B



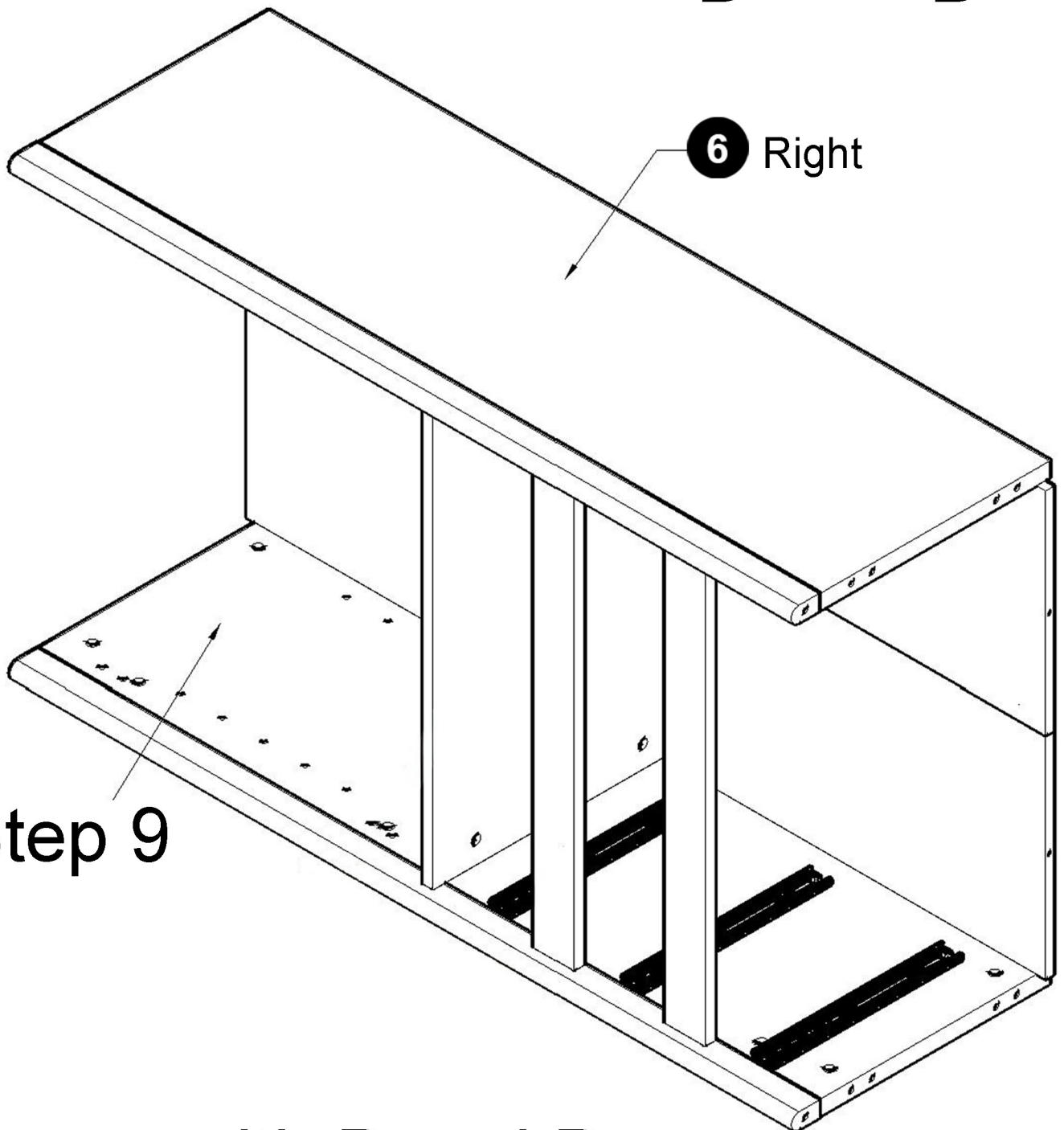
Secure with B.

Step 10:



D

B

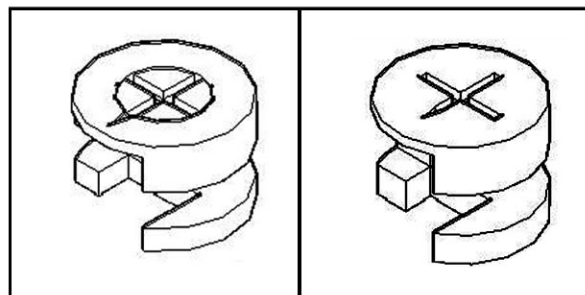


6 Right

Step 9

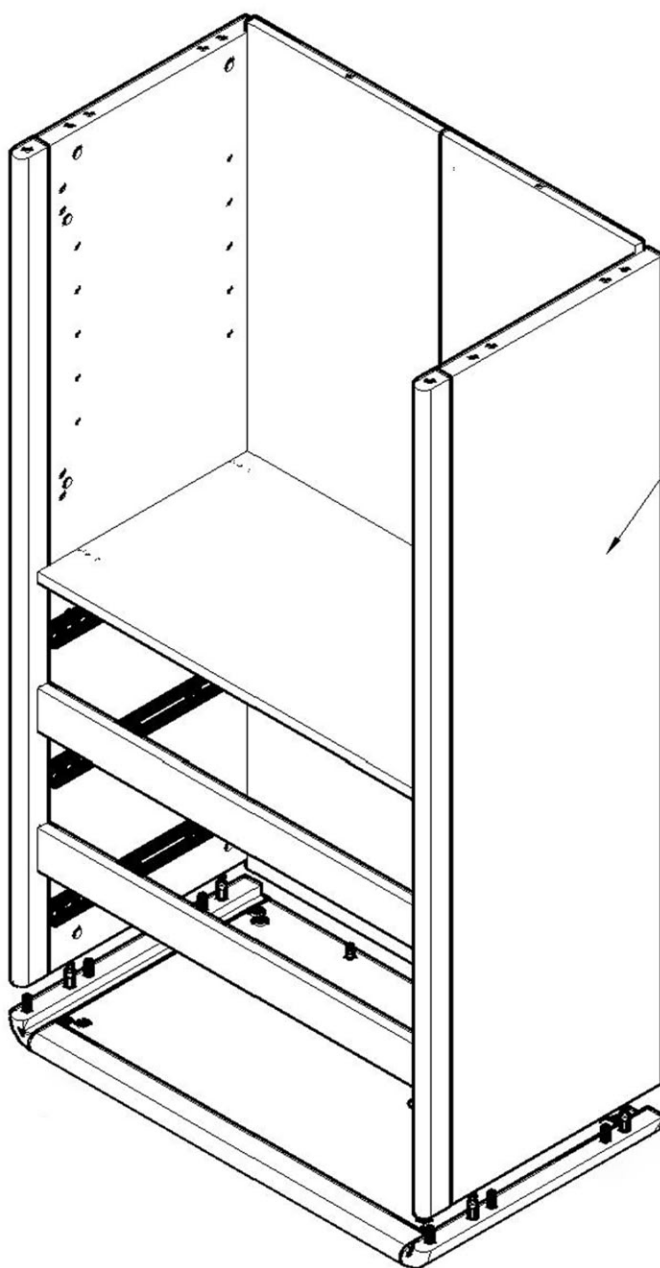
Secure with B and D.

Step 11:



D

B

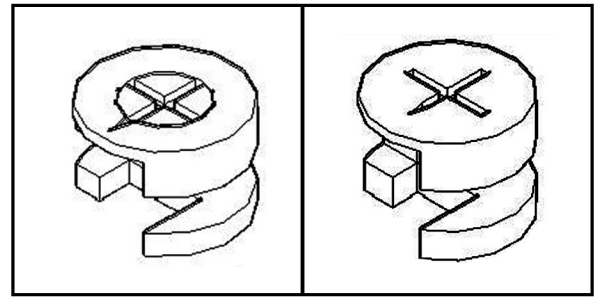


Step 10

Step 3

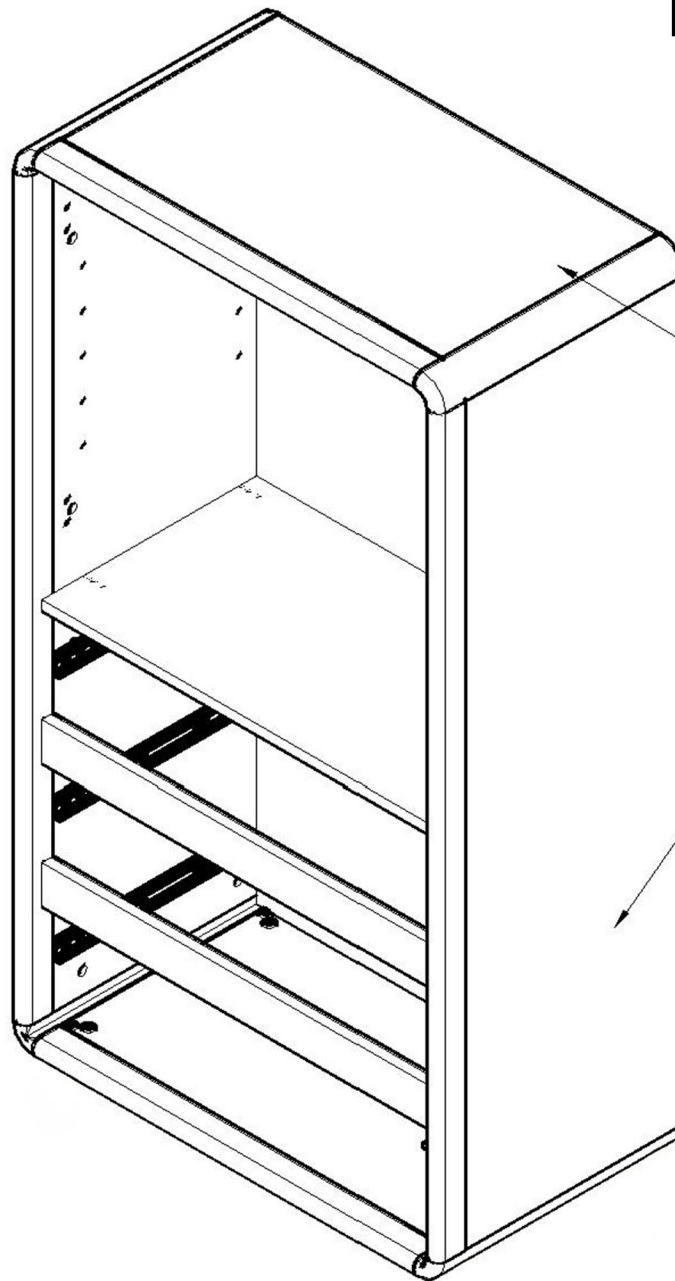
Secure with B or D.

Step 12:



D

B

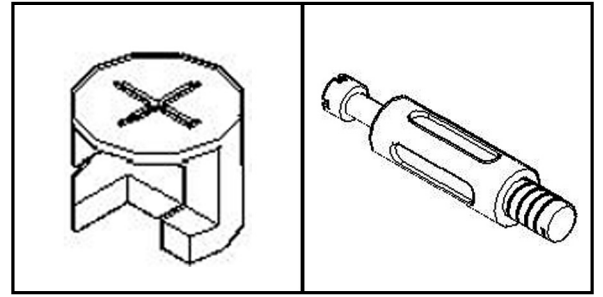


Step 1

Step 11

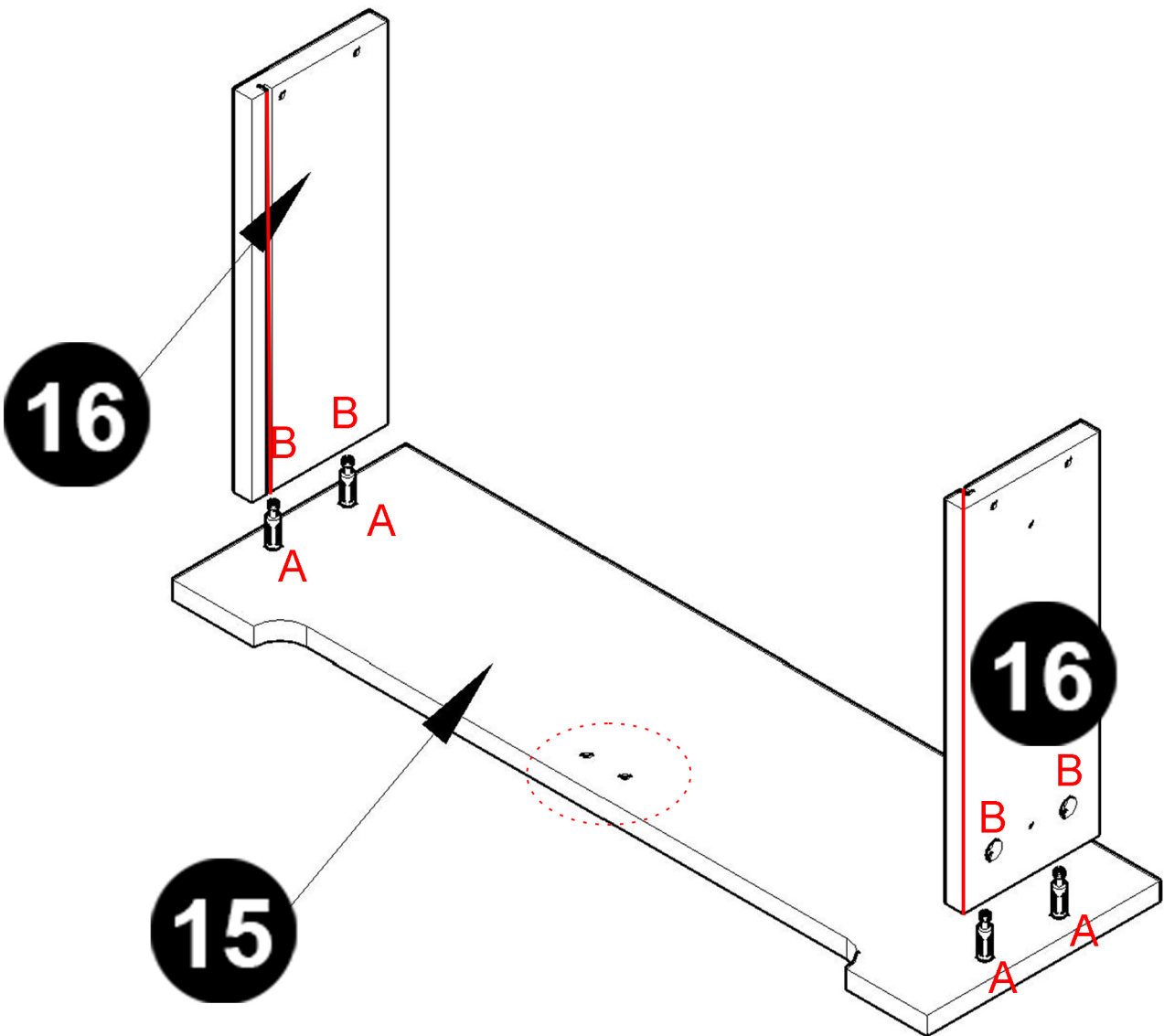
Secure with B or D.

Step 13:



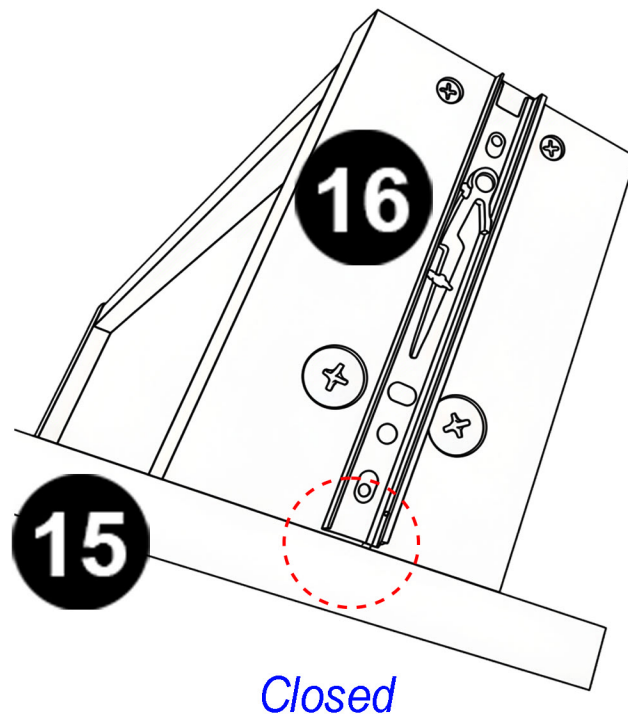
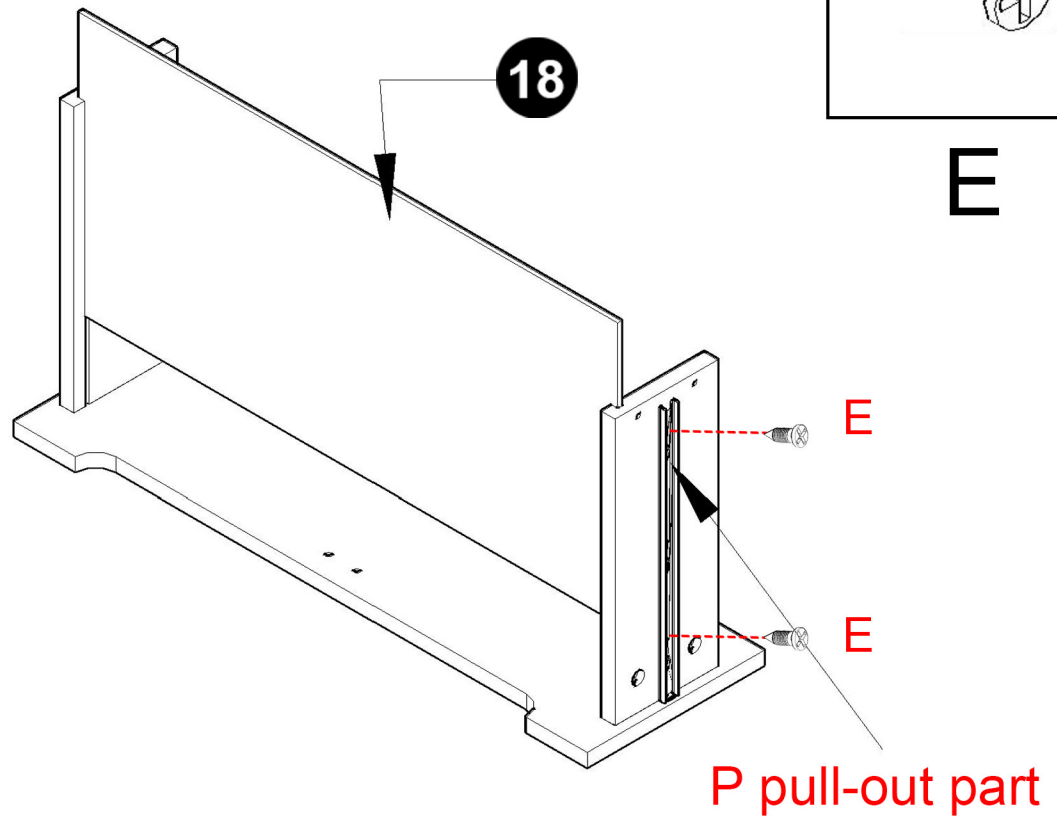
B

A



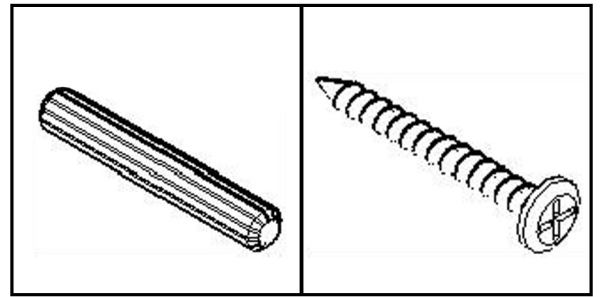
Place Panel 16 with the groove facing Panel 15 (pre-drilled holes side).

Step 14:



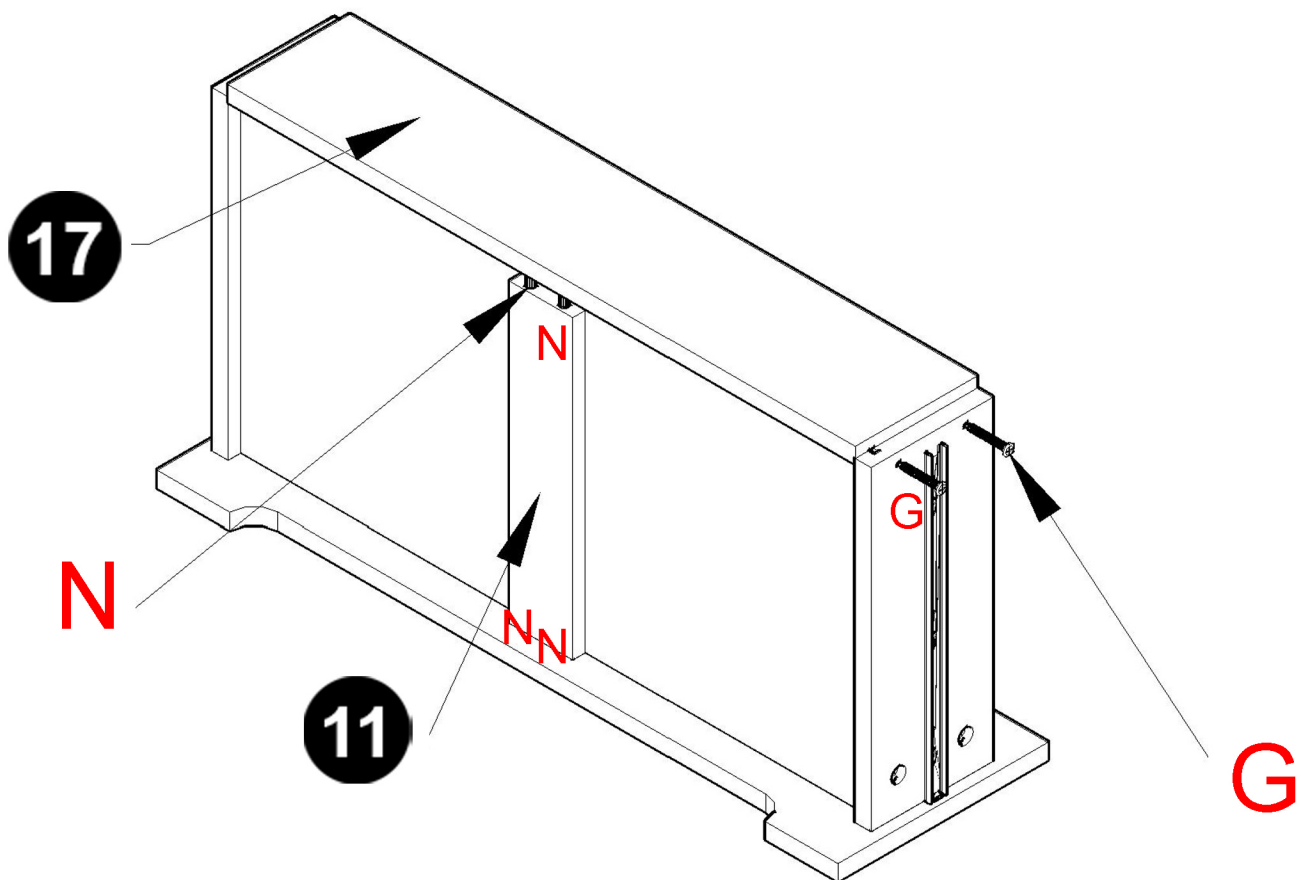
Note: The P pull-out part should be positioned with the closed side close to Panel No.16.

Step 15:



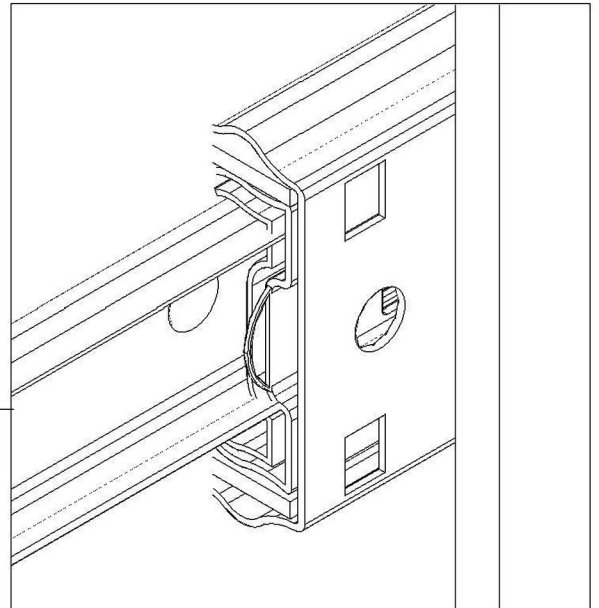
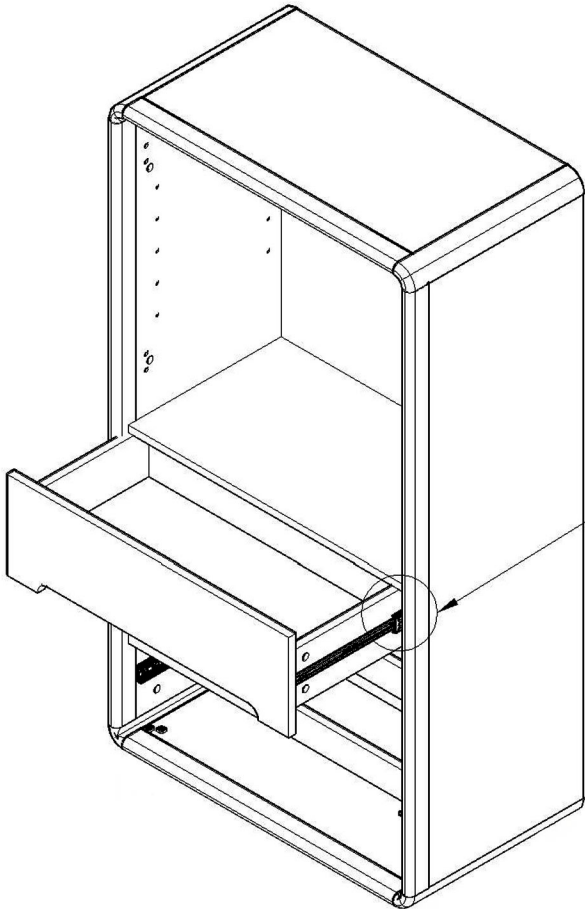
N

G



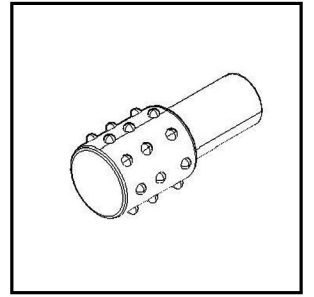
Secure with A.

Step 16:

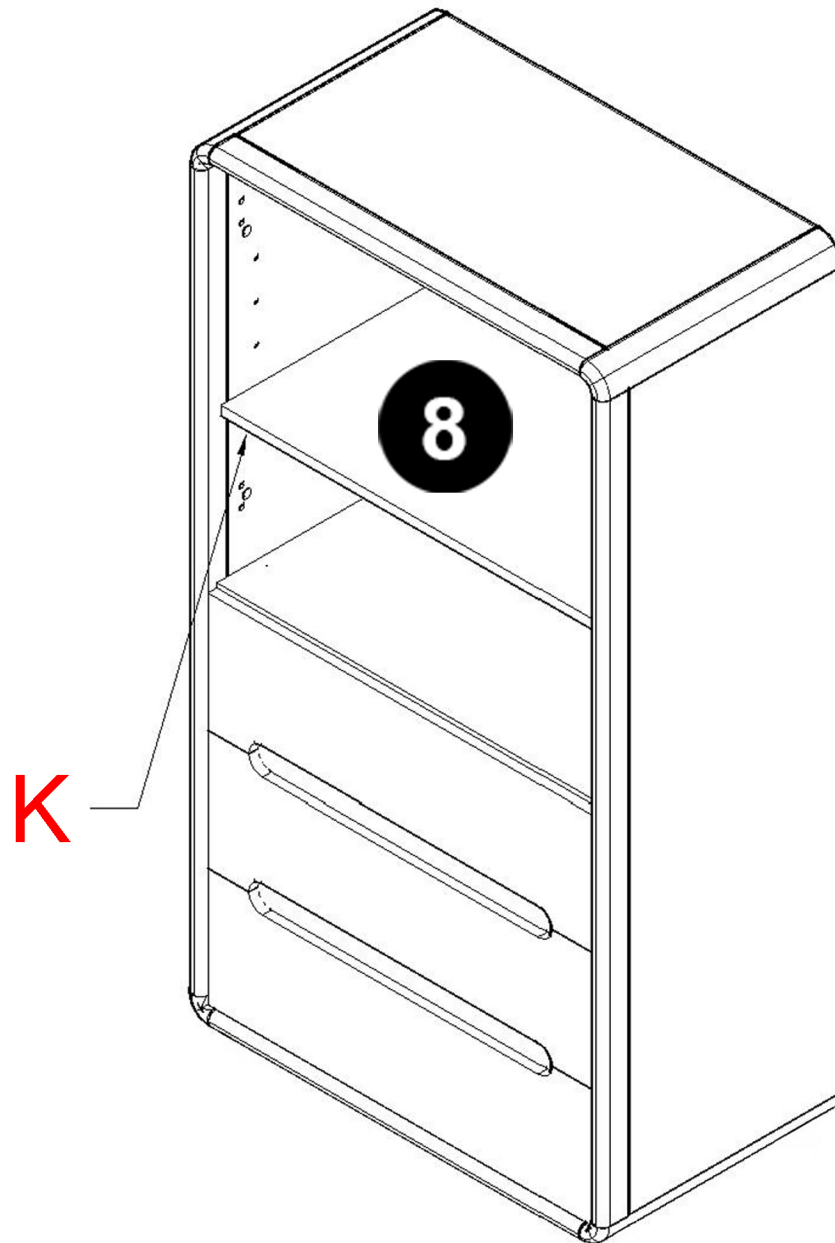


Insert into the slots
on both sides
simultaneously

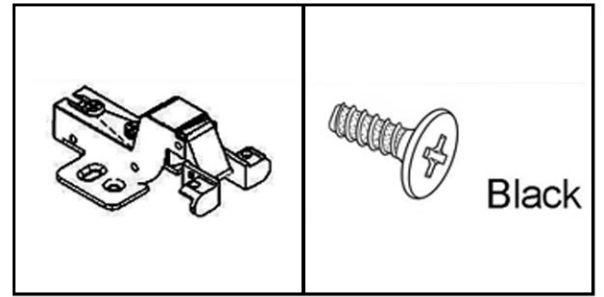
Step 17:



K

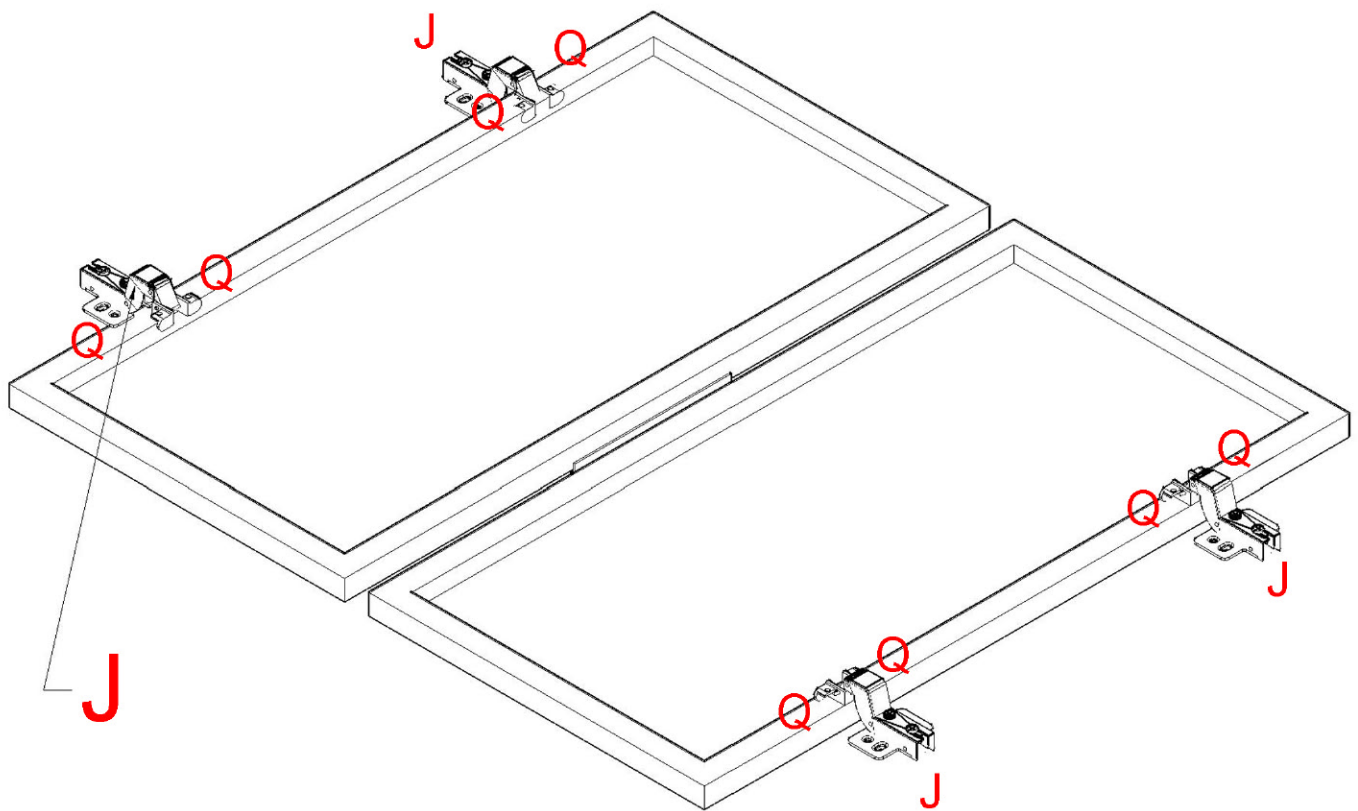


Step 18:

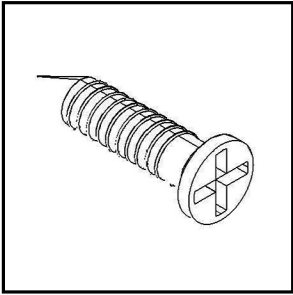


J

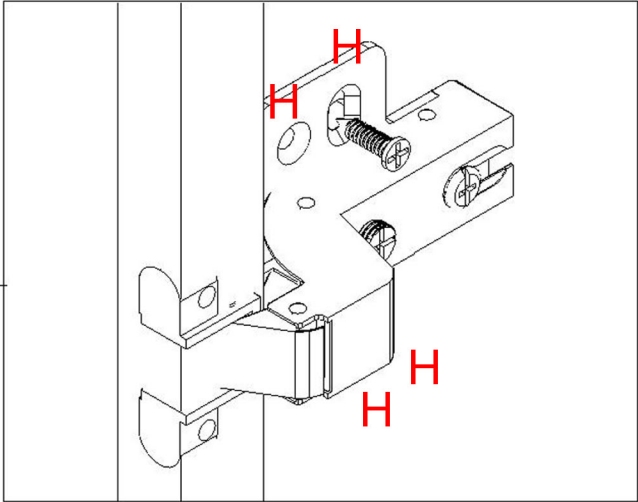
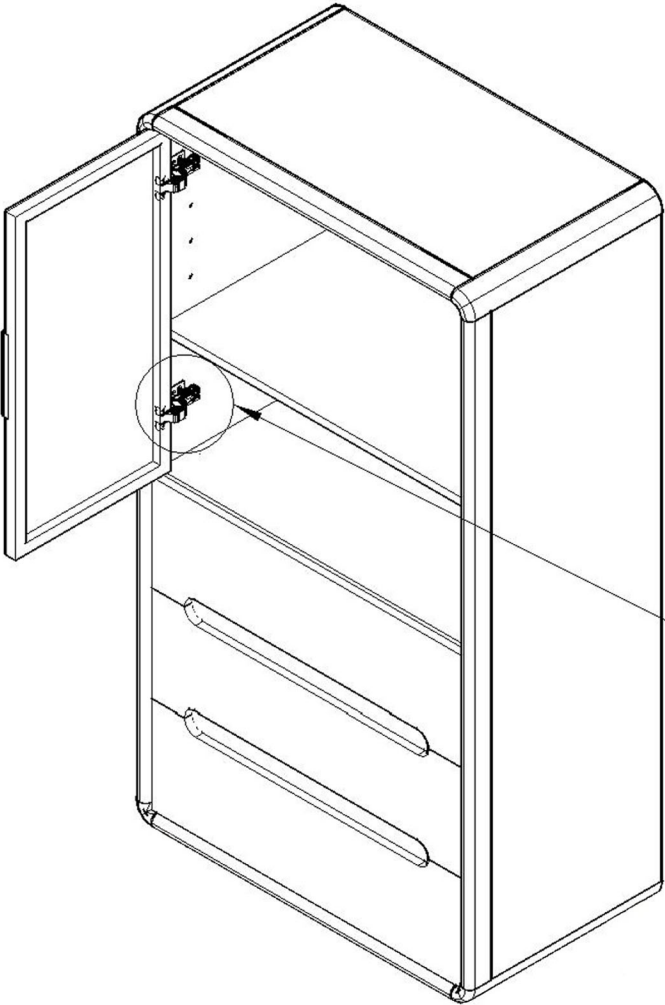
Q



Step 19:



H



Installation finished

