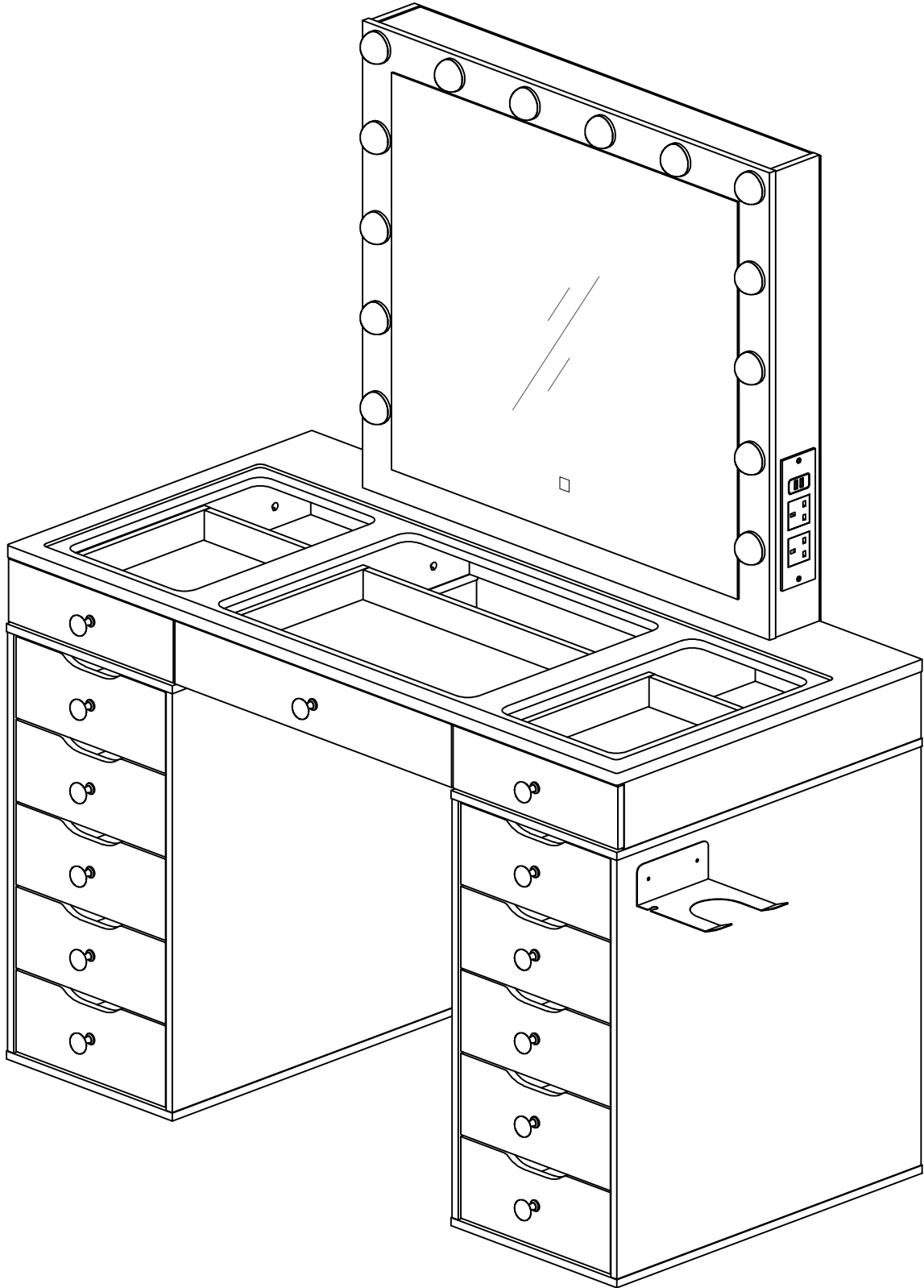
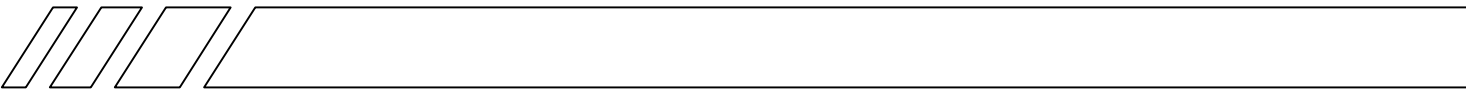
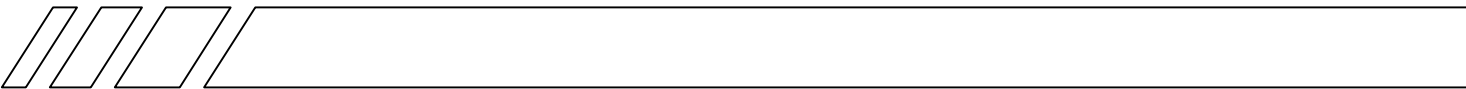


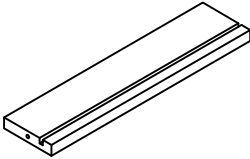
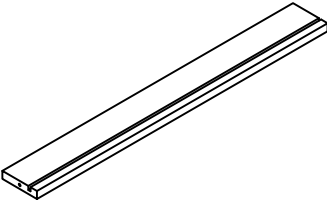
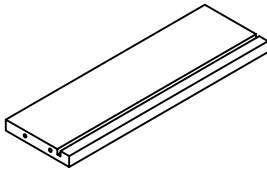
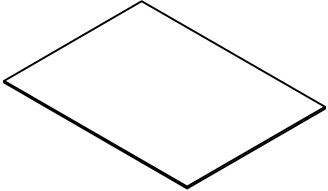
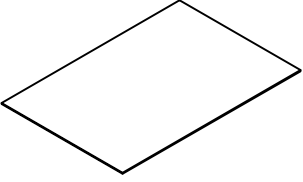
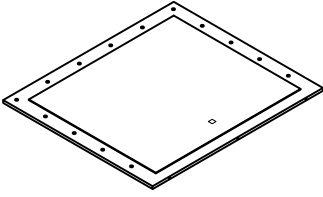
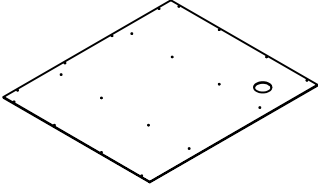
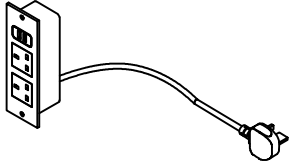
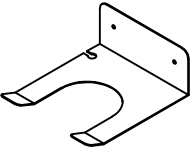

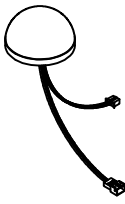
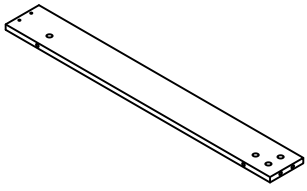
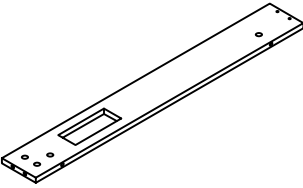
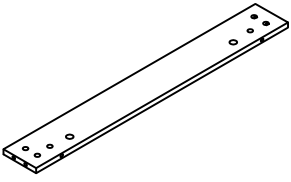
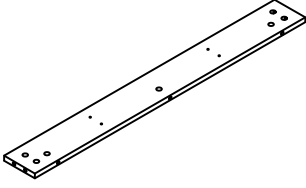
QJ02#

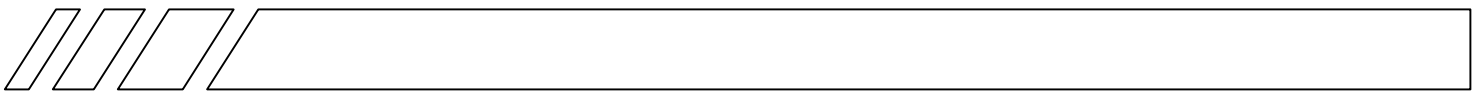




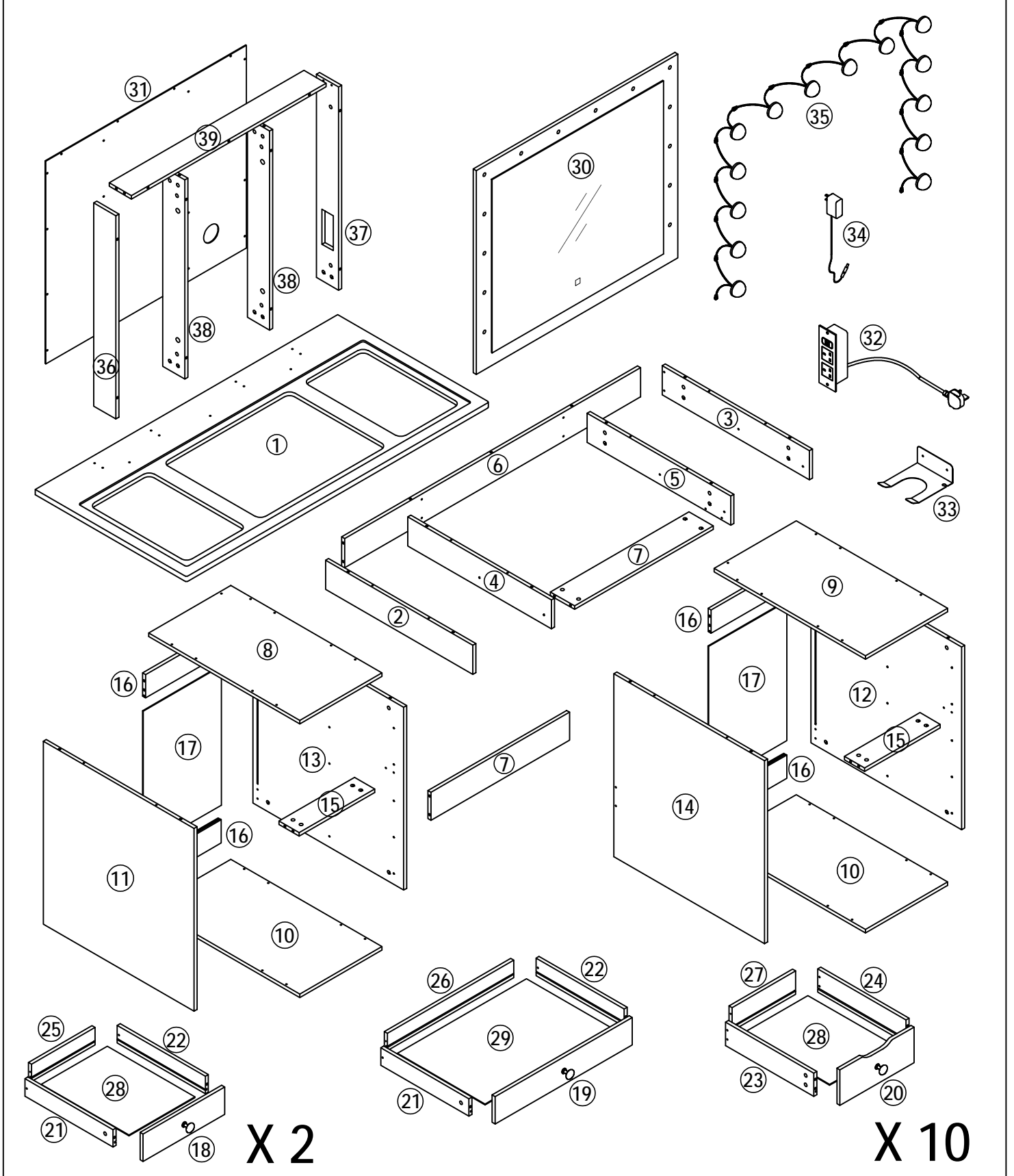
<p>①</p> <p>X 1</p>	<p>②</p> <p>left</p> <p>X 1</p>	<p>③</p> <p>right</p> <p>X 1</p>	<p>④</p> <p>left</p> <p>X 1</p>
<p>⑤</p> <p>right</p> <p>X 1</p>	<p>⑥</p> <p>X 1</p>	<p>⑦</p> <p>X 2</p>	<p>⑧</p> <p>left</p> <p>X 1</p>
<p>⑨</p> <p>right</p> <p>X 1</p>	<p>⑩</p> <p>X 2</p>	<p>⑪</p> <p>left</p> <p>X 1</p>	<p>⑫</p> <p>right</p> <p>X 1</p>
<p>⑬</p> <p>left</p> <p>X 1</p>	<p>⑭</p> <p>right</p> <p>X 1</p>	<p>⑮</p> <p>X 2</p>	<p>⑯</p> <p>X 4</p>
<p>⑰</p> <p>X 2</p>	<p>⑱</p> <p>X 2</p>	<p>⑲</p> <p>X 1</p>	<p>⑳</p> <p>X 10</p>
<p>㉑</p> <p>left</p> <p>X 3</p>	<p>㉒</p> <p>right</p> <p>X 3</p>	<p>㉓</p> <p>left</p> <p>X 10</p>	<p>㉔</p> <p>right</p> <p>X 10</p>



<p>25</p>  <p>X 2</p>	<p>26</p>  <p>X 1</p>	<p>27</p>  <p>X 10</p>	<p>28</p>  <p>X 12</p>
<p>29</p>  <p>X 1</p>	<p>30</p>  <p>X 1</p>	<p>31</p>  <p>X 1</p>	<p>32</p>  <p>X 1</p>
<p>33</p>  <p>X 1</p>	<p>34</p>  <p>X 1</p>	<p>35</p>  <p>X 14</p>	<p>36</p>  <p>X 1</p>
<p>37</p>  <p>X 1</p>	<p>38</p>  <p>X 2</p>	<p>39</p>  <p>X 1</p>	

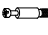
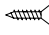
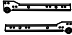


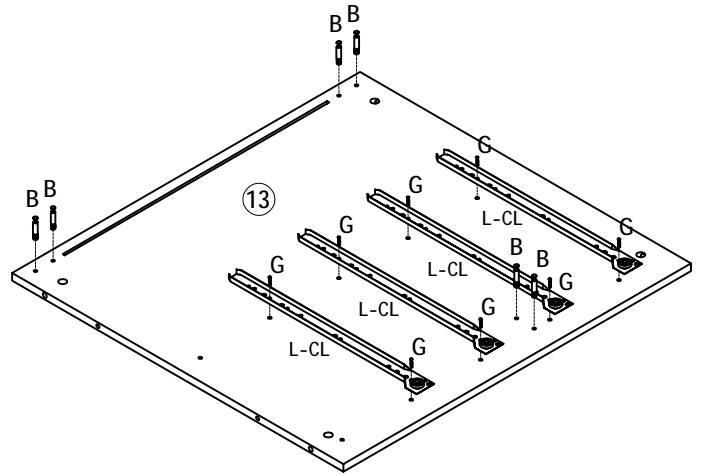
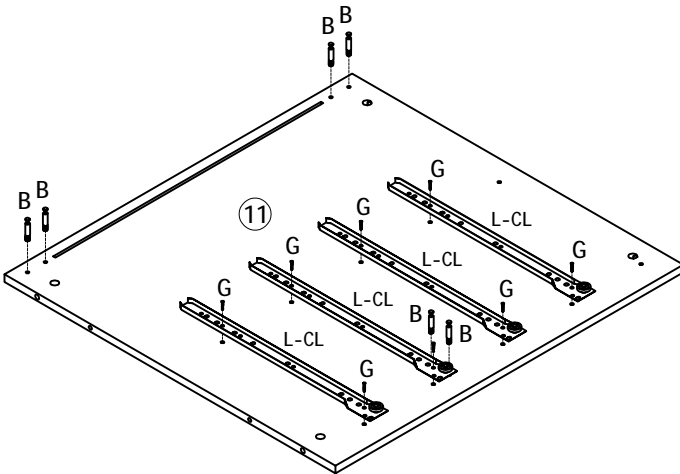
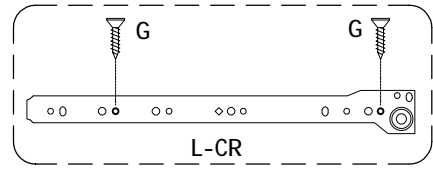
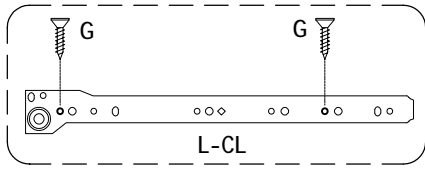
A $\phi 12 \times 10$ X 149	B $\phi 7 \times 40$ X 149	C M5*40 X 50	D $\phi 6 \times 40$ X 32	E X 13	F M4*16 X 13	G M3*12 X 128
H M3.5*16 X 12	J X 12	K X 1	L 14" X 13	M X 8		




Installation Steps

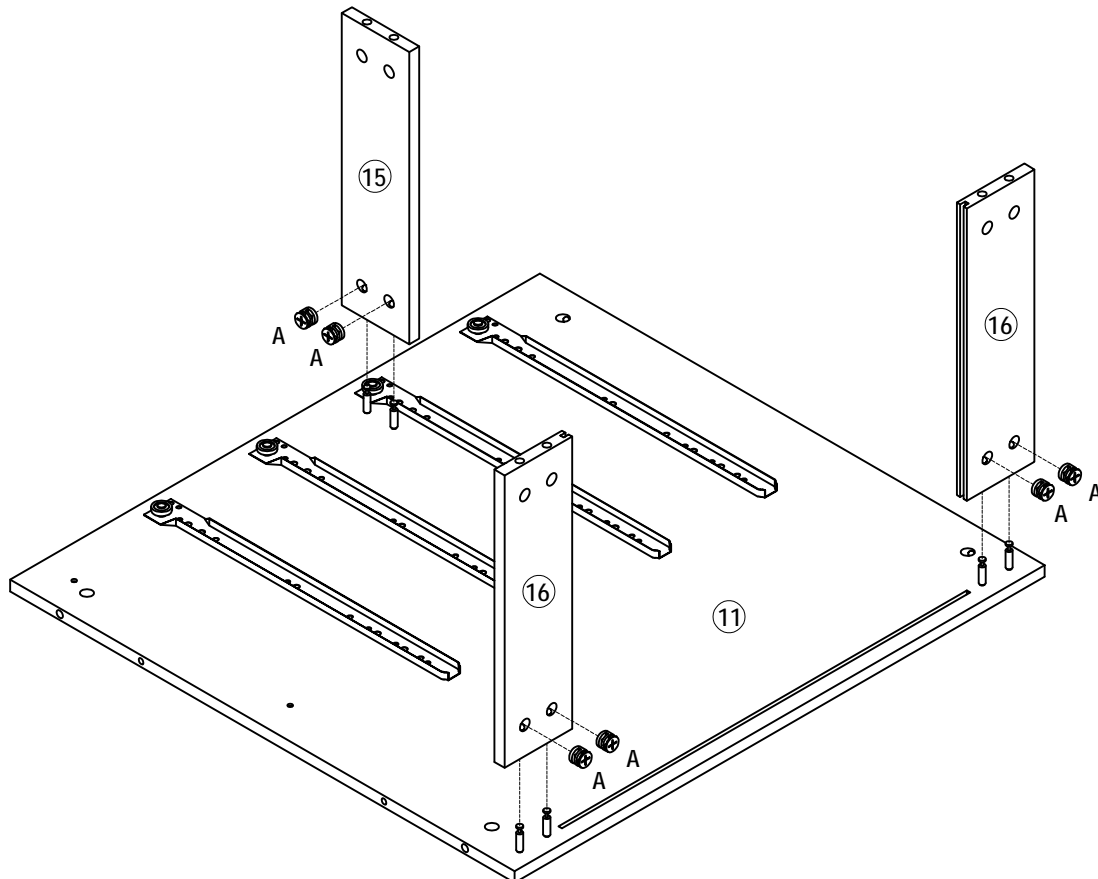
1 ▶

B	$\phi 7 \times 40$	G	M3*12	L	14"
					
X 12		X 16		X 4	



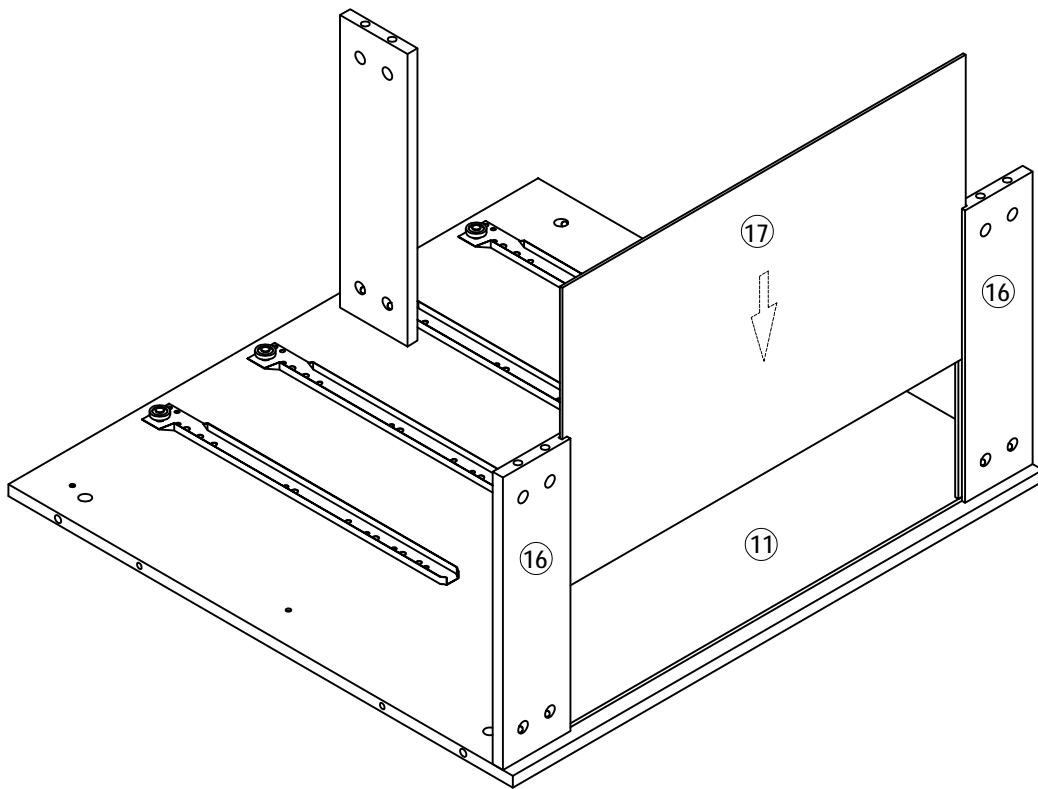
2 ▶

A	$\phi 12 \times 10$
	
X 6	

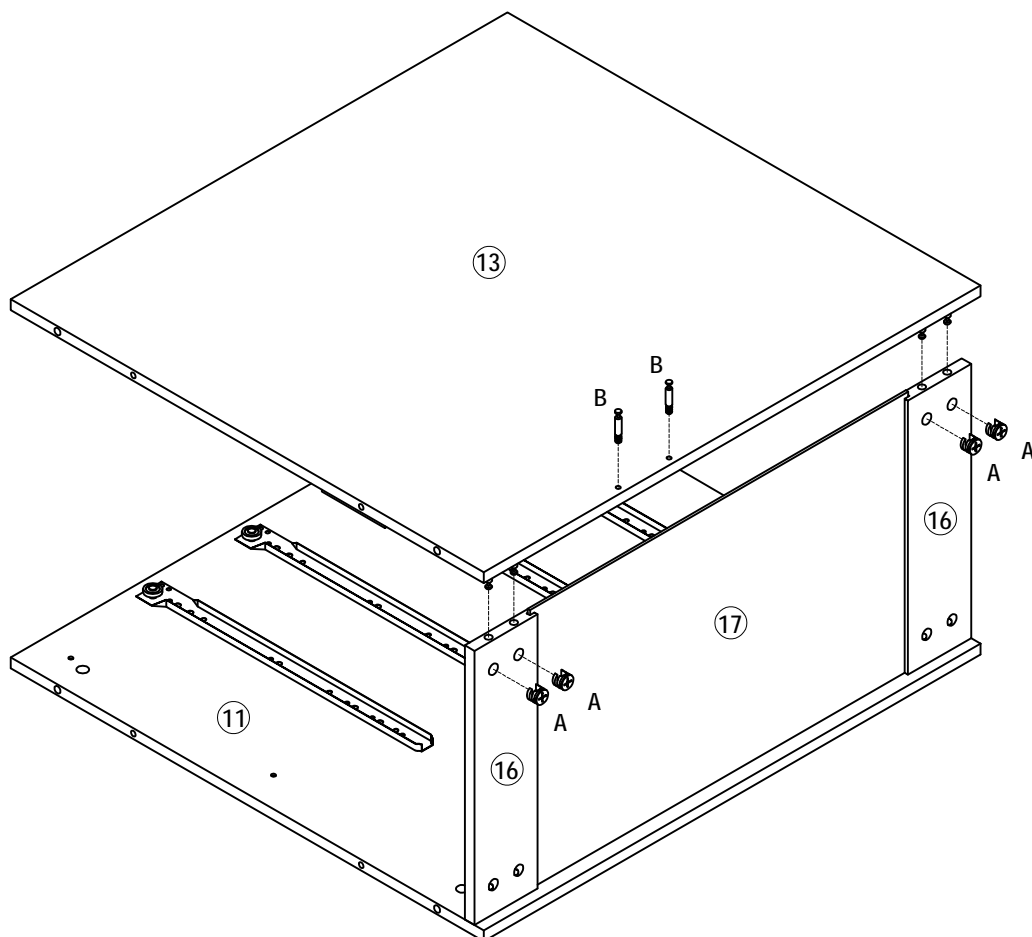



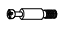
Installation Steps

3 ▷




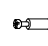

4 ▷

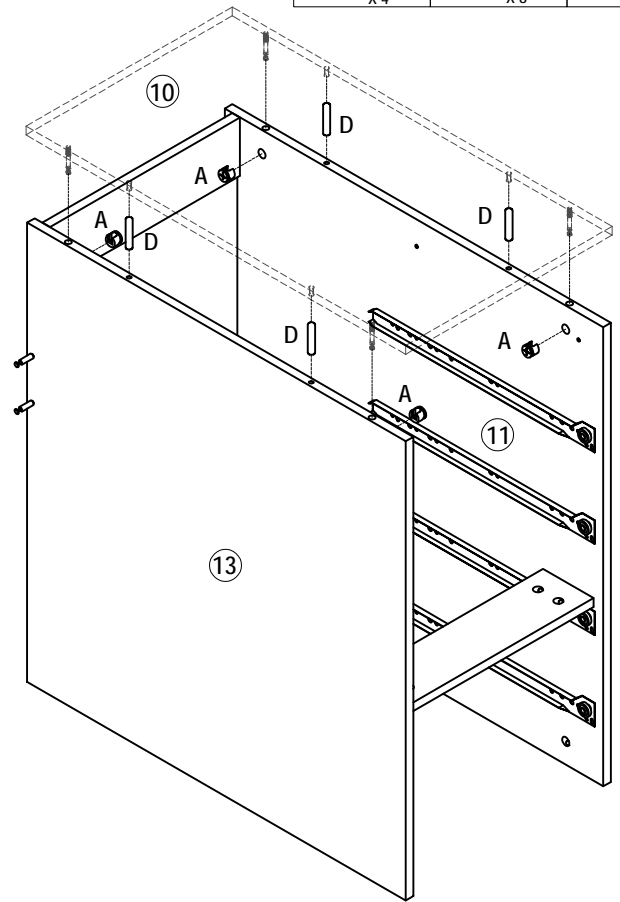
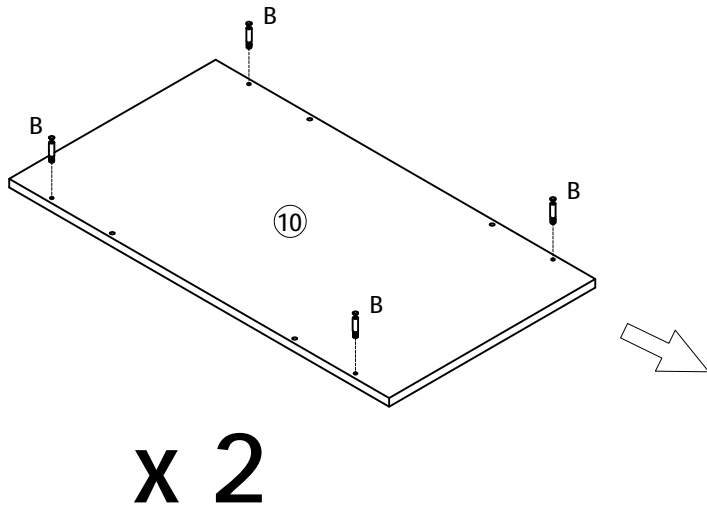


A	$\phi 12 \times 10$	B	$\phi 7 \times 40$
			
X 6		X 2	


Installation Steps

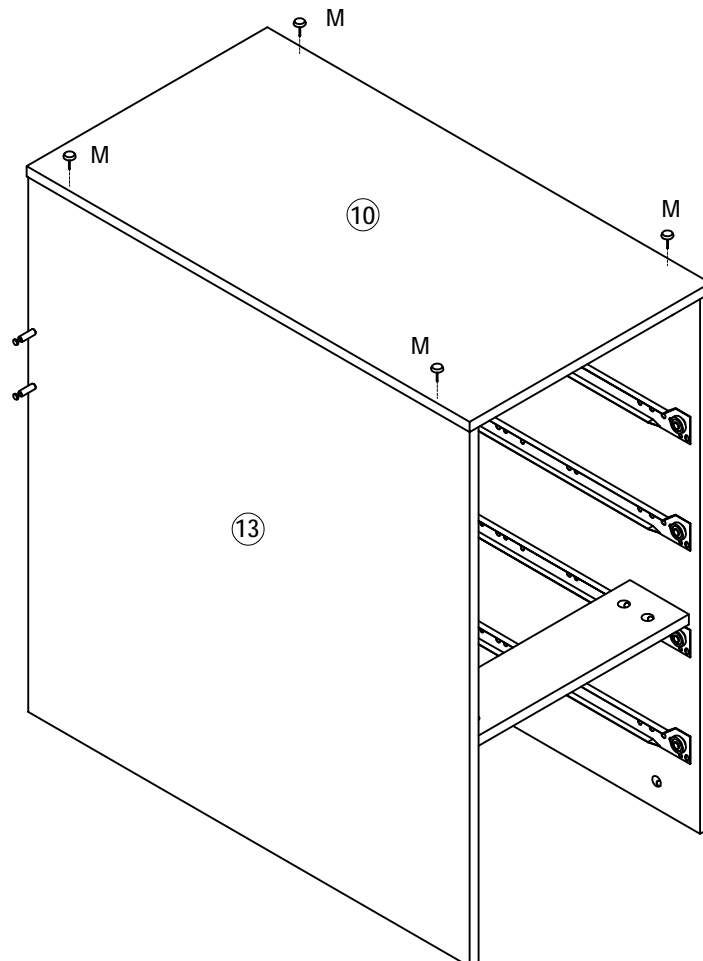
5 ▶

A	$\phi 12 \times 10$	B	$\phi 7 \times 40$	D	$\phi 6 \times 40$
					
	X 4		X 8		X 4



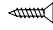

6 ▶

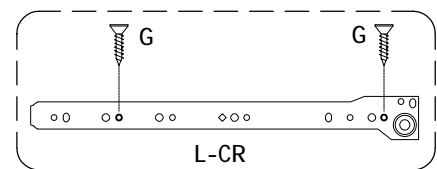
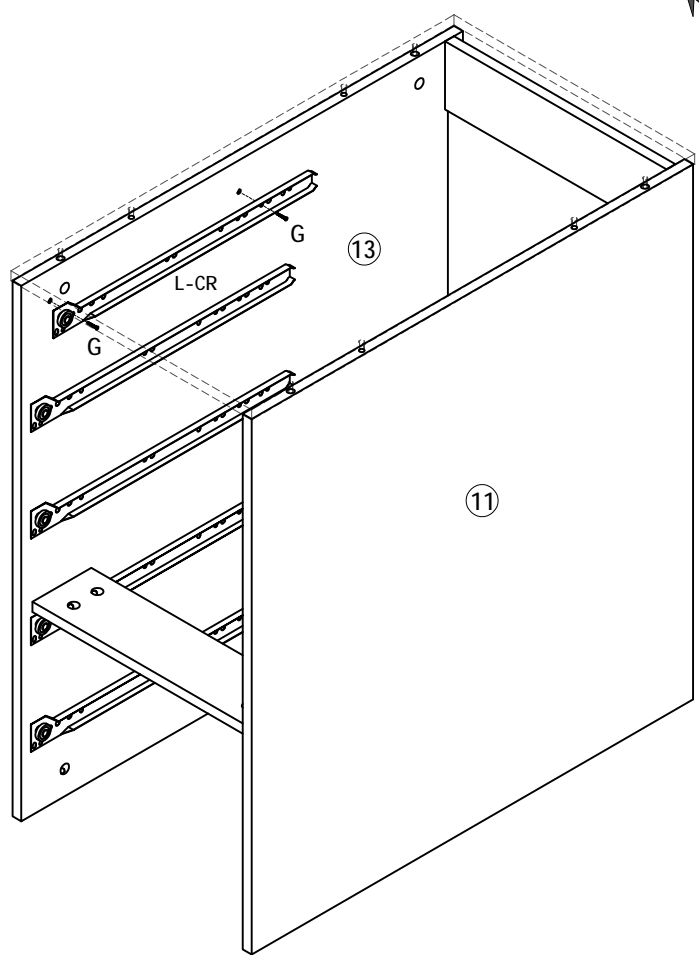
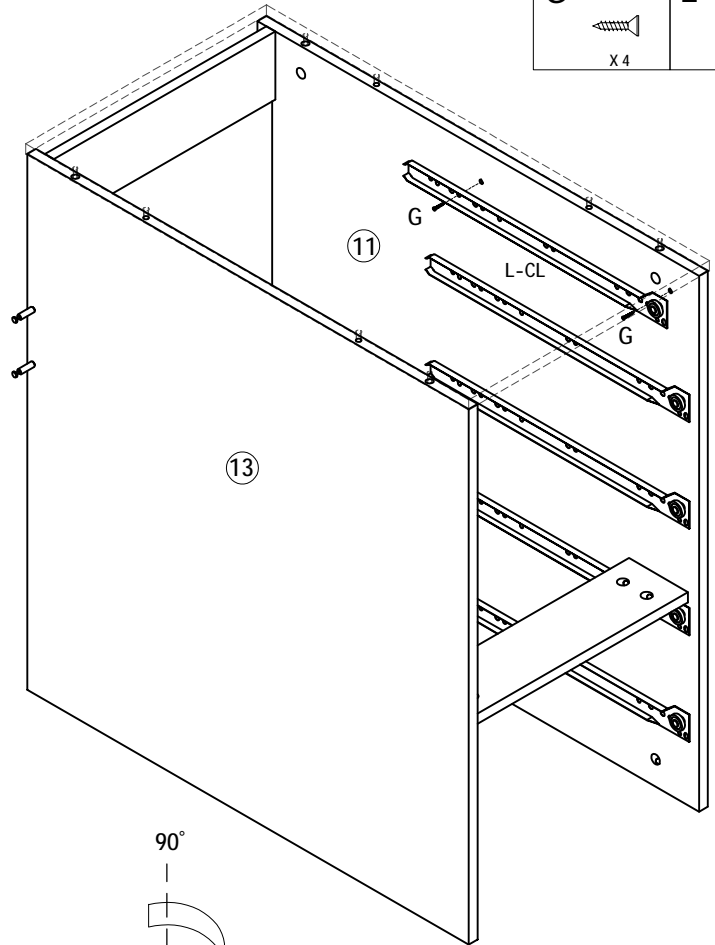
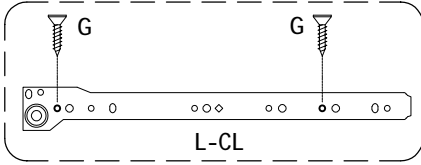
M	
	X 4



Installation Steps


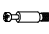

7 ▷

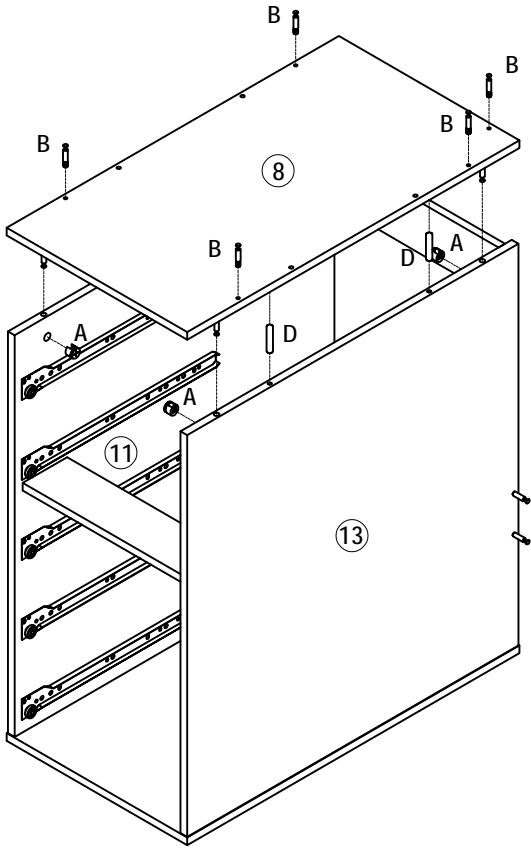
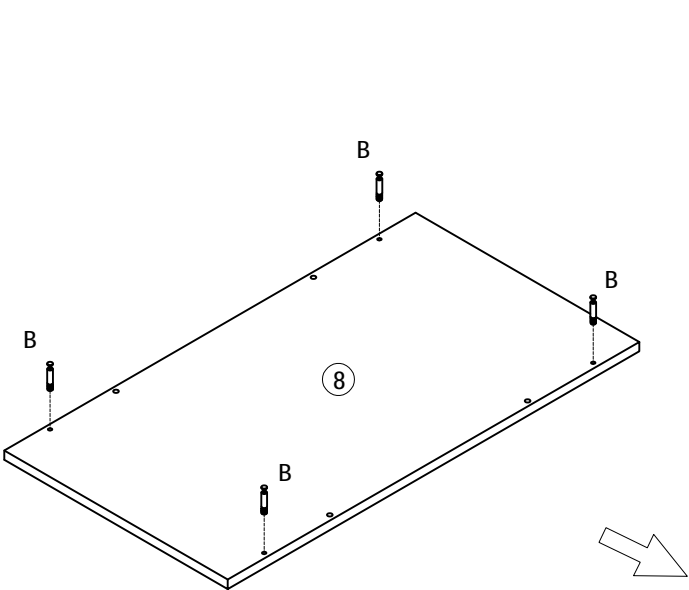
G	M3*12	L	14"
			
X 4		X 1	



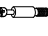


Installation Steps

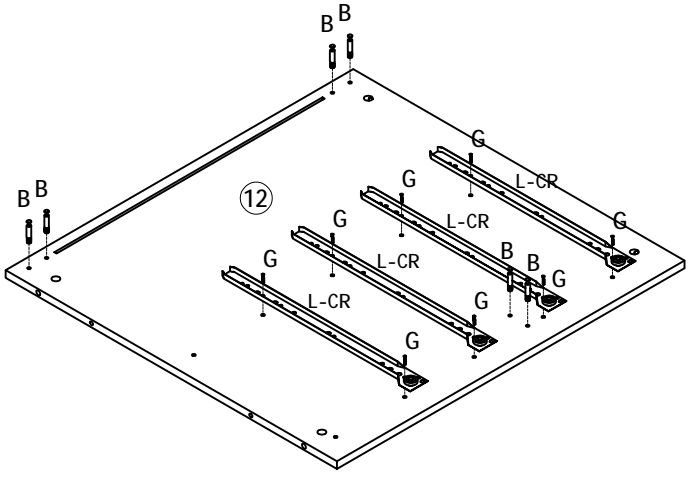
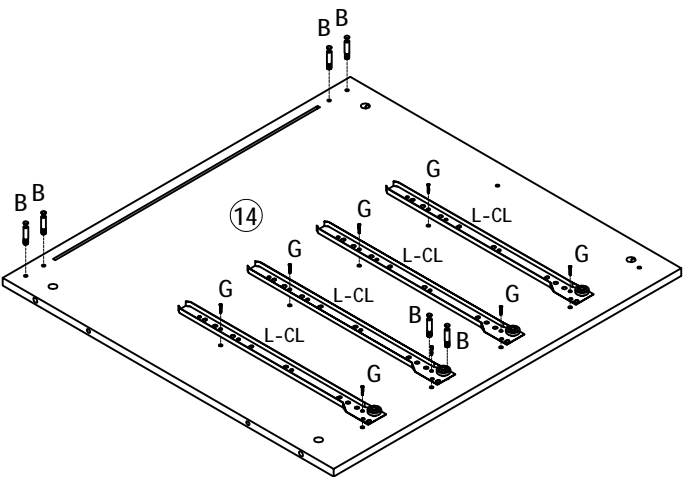
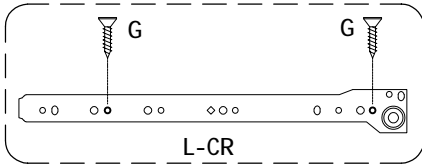
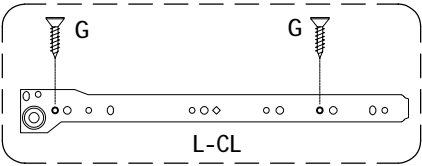
8 ▶

A	$\phi 12 \times 10$	B	$\phi 7 \times 40$	D	$\phi 6 \times 40$
					
	X 4		X 9		X 4




9 ▶

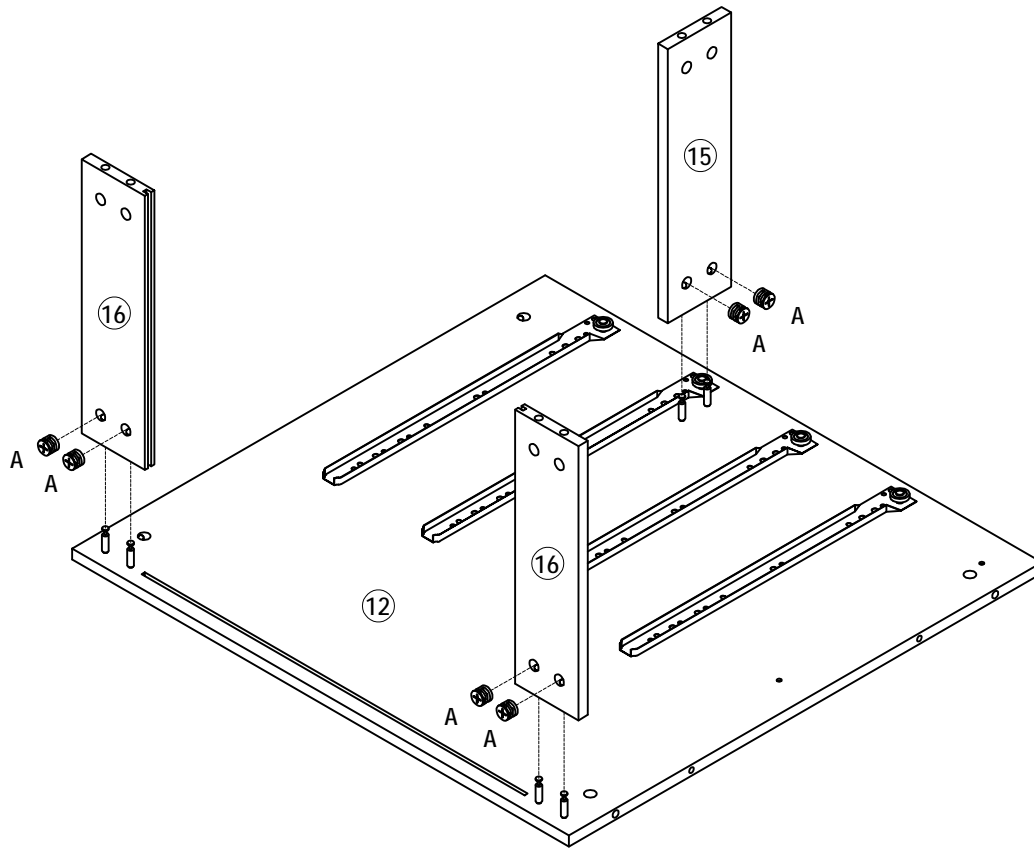
B	$\phi 7 \times 40$	G	M3*12	L	14"
					
	X 12		X 16		X 4



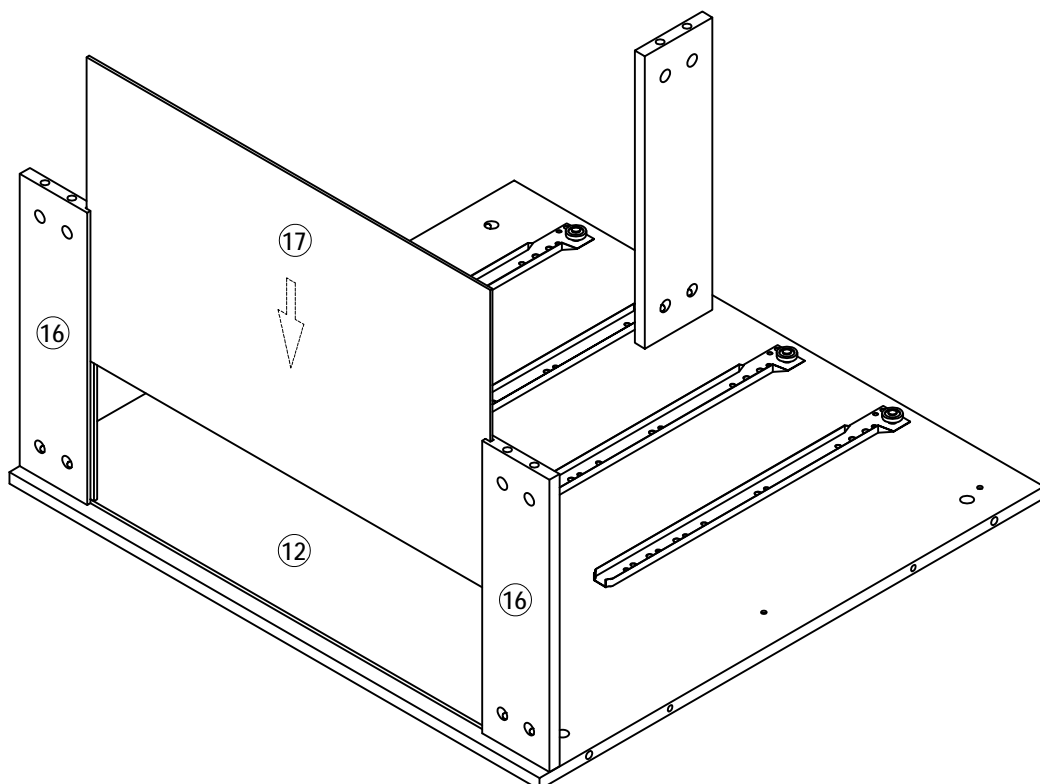
Installation Steps

10 ▷

A $\phi 12 \times 10$

X 6





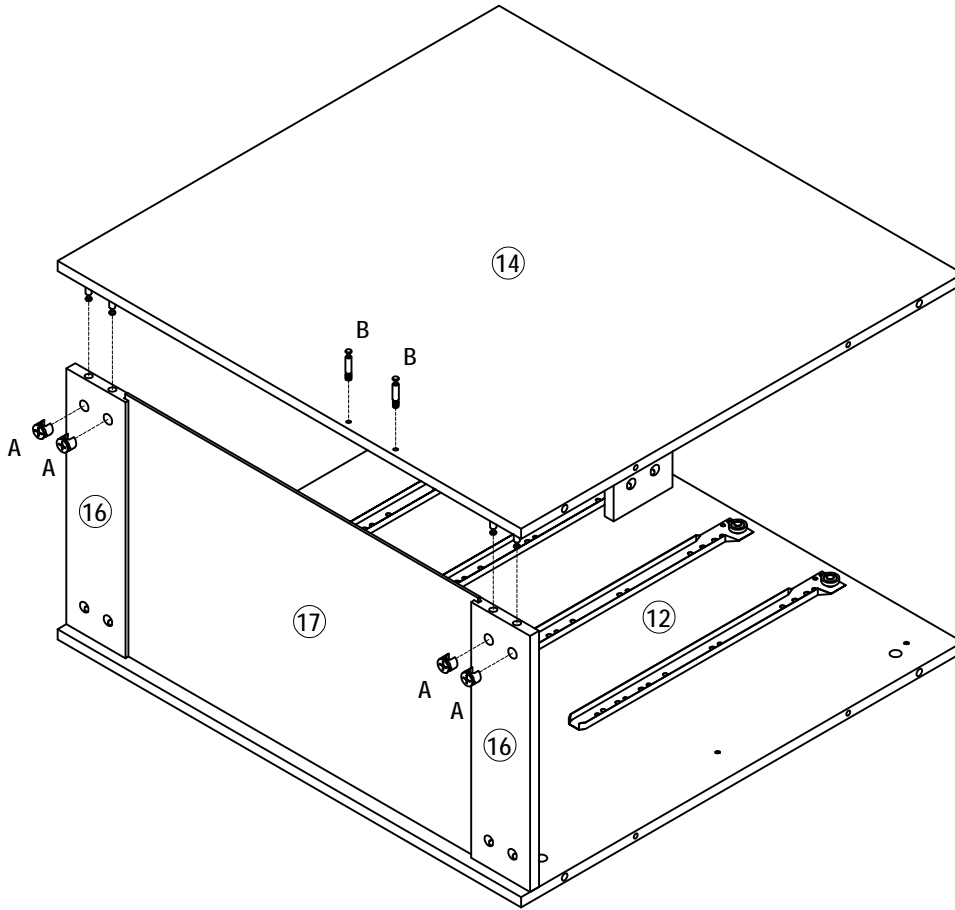
11 ▷





Installation Steps

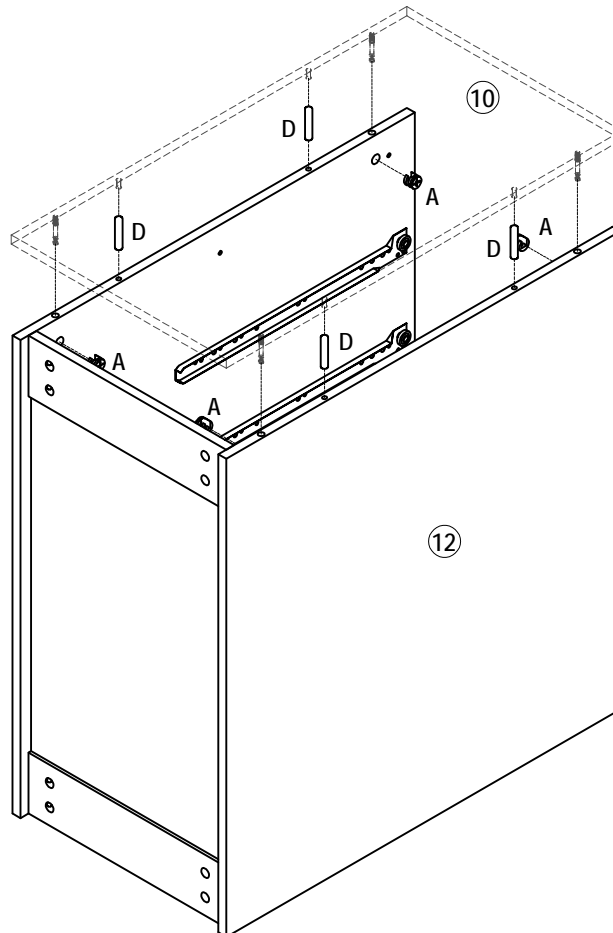
12 ▷

A $\phi 12 \times 10$  X 6	B $\phi 7 \times 40$  X 2
--	---



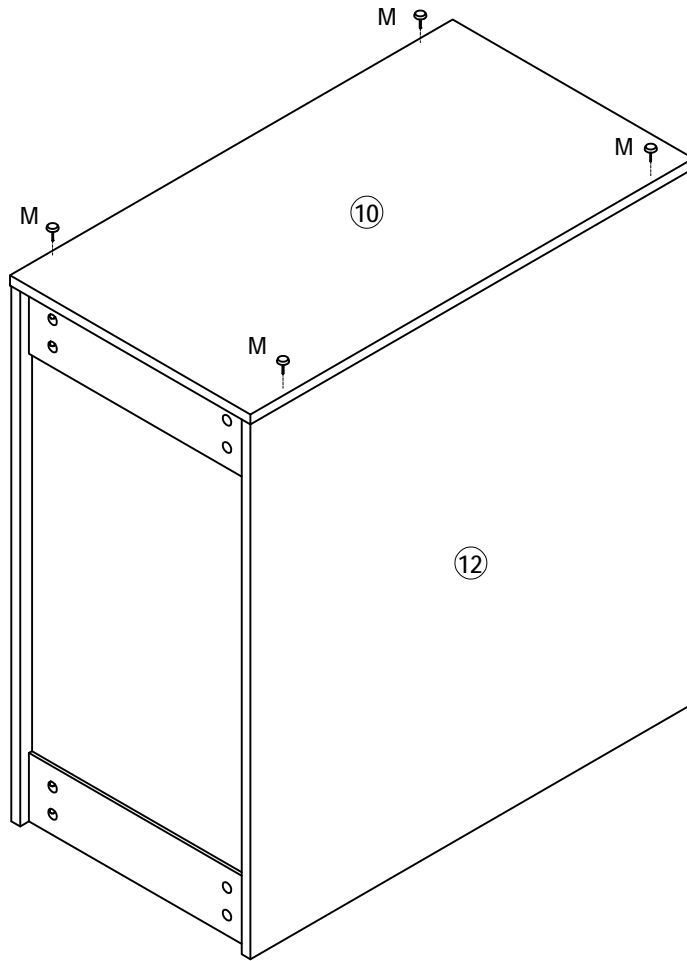
13 ▷

A $\phi 12 \times 10$  X 4	D $\phi 6 \times 40$  X 4
--	---



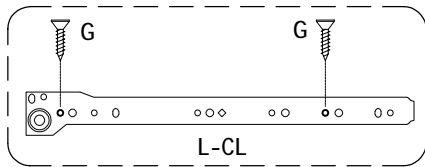
Installation Steps

14 ▶

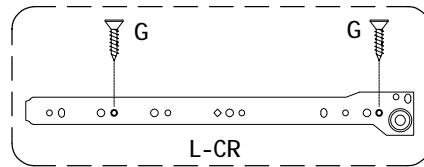


M
X 4

15 ▶



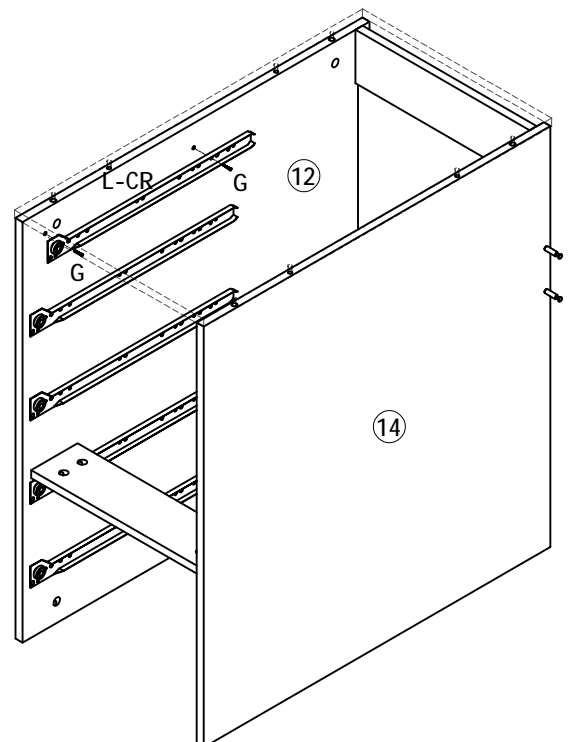
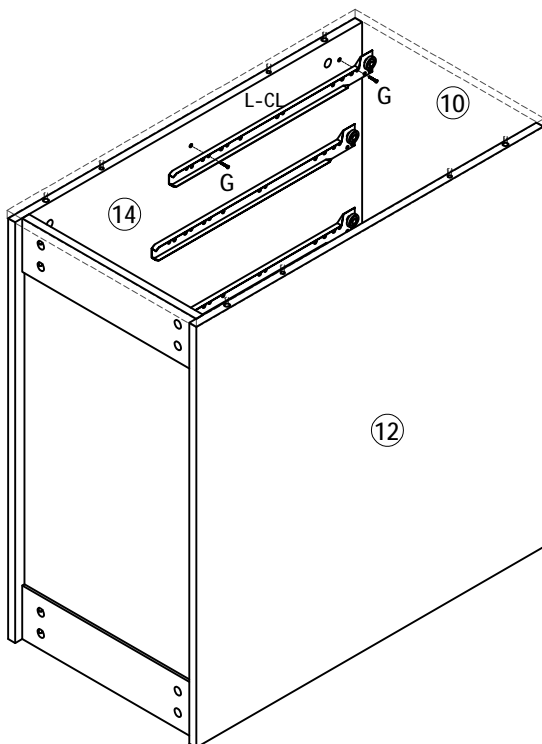
L-CL



L-CR


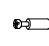

G M3*12
X 4

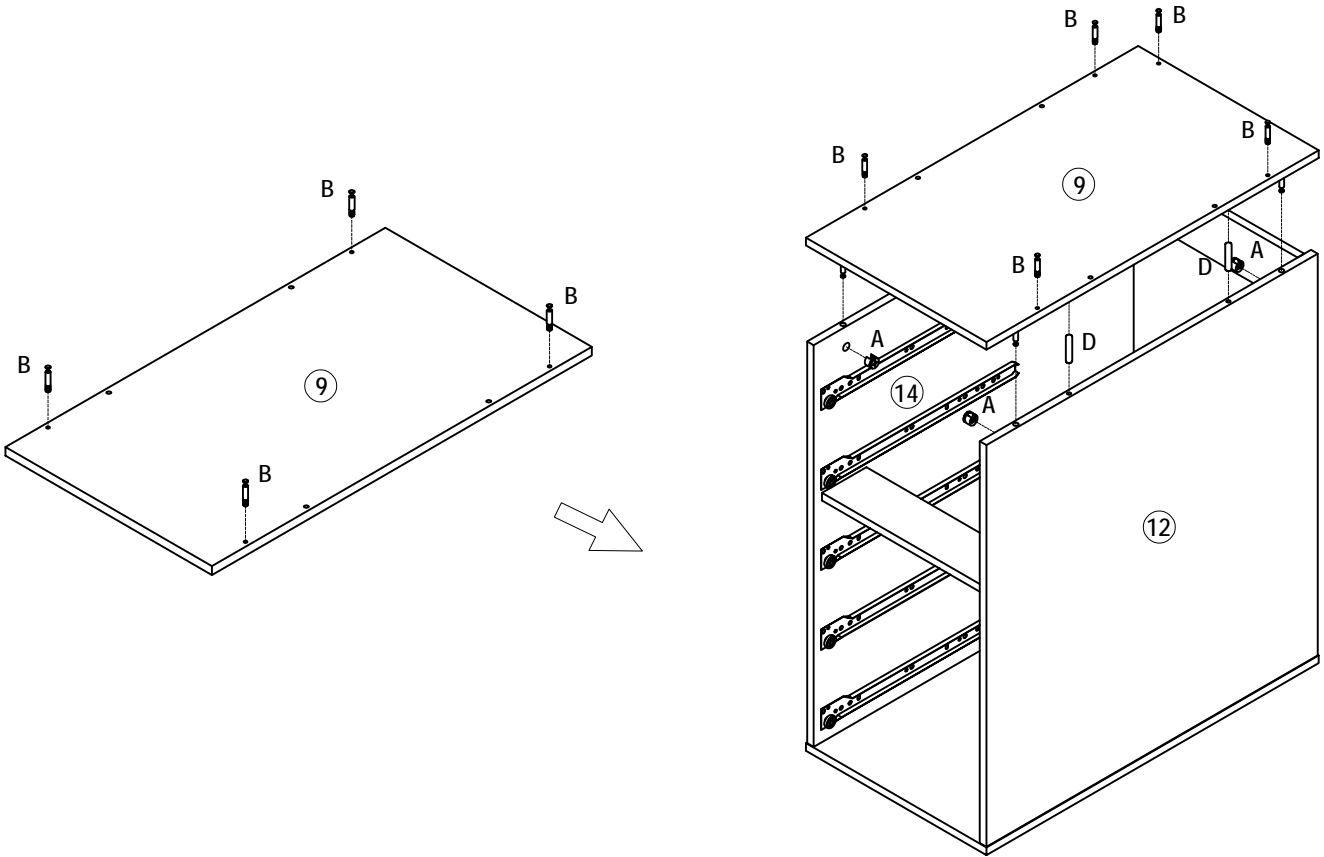
L 14"
X 1




Installation Steps

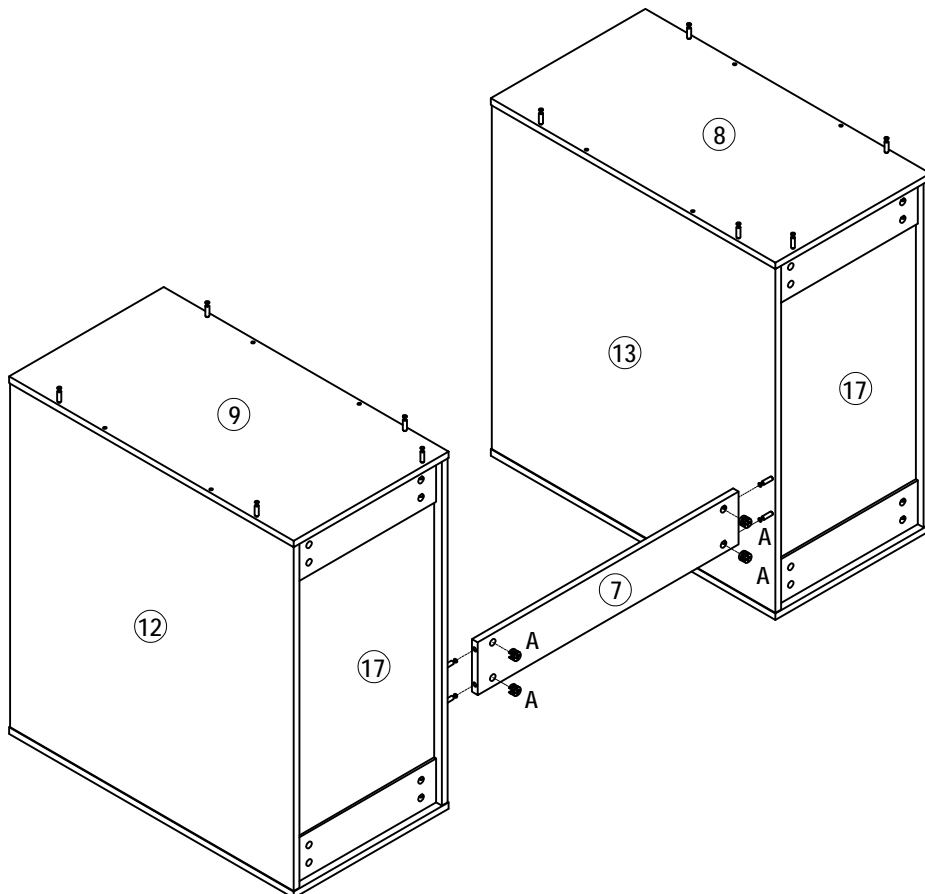
16 ▶

A $\phi 12 \times 10$  X 4	B $\phi 7 \times 40$  X 9	D $\phi 6 \times 40$  X 4
--	---	---



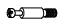
17 ▶

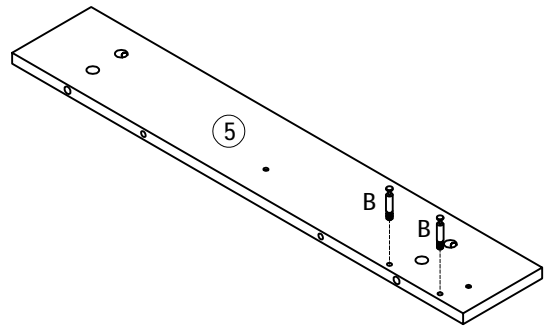
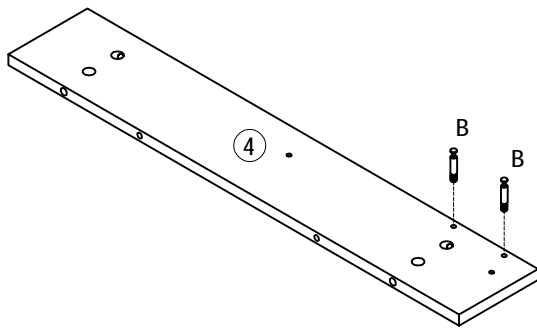
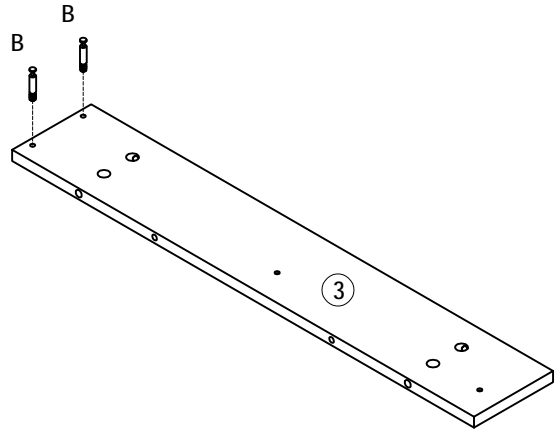
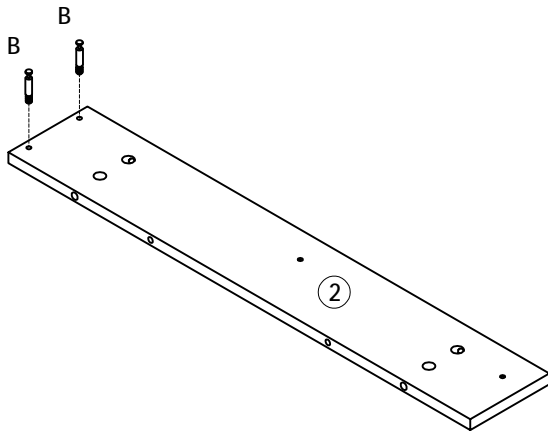
A $\phi 12 \times 10$  X 4
--




Installation Steps

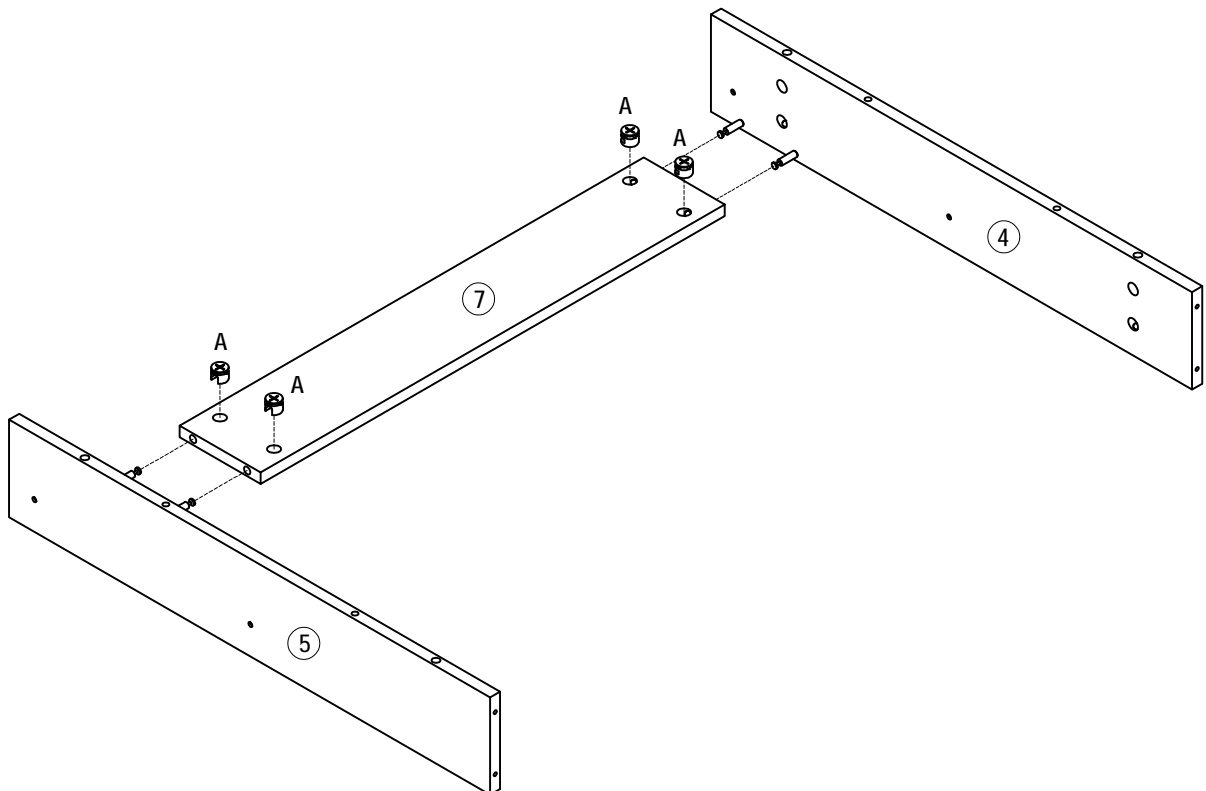
18 ▷

B $\phi 7 \times 40$

X 8





19 ▷

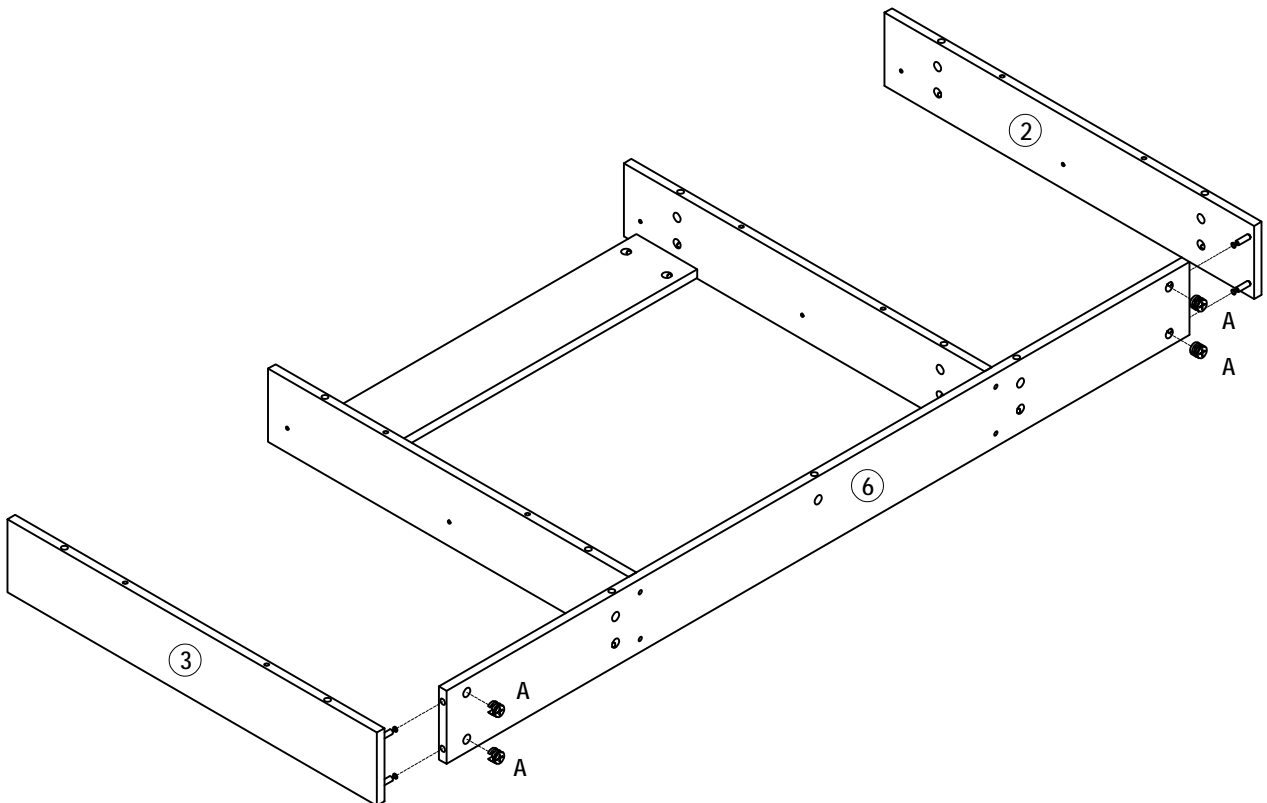
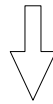
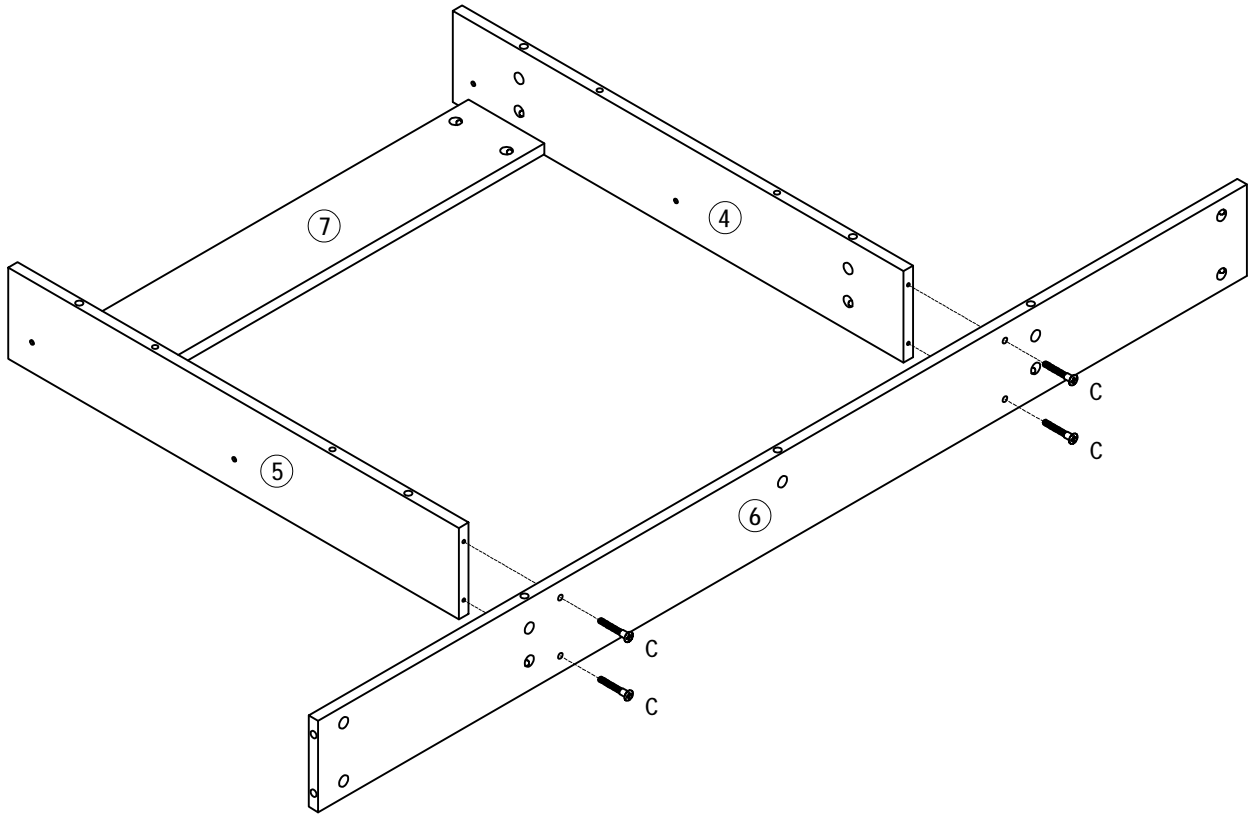
A $\phi 12 \times 10$

X 4



Installation Steps



20 ▷

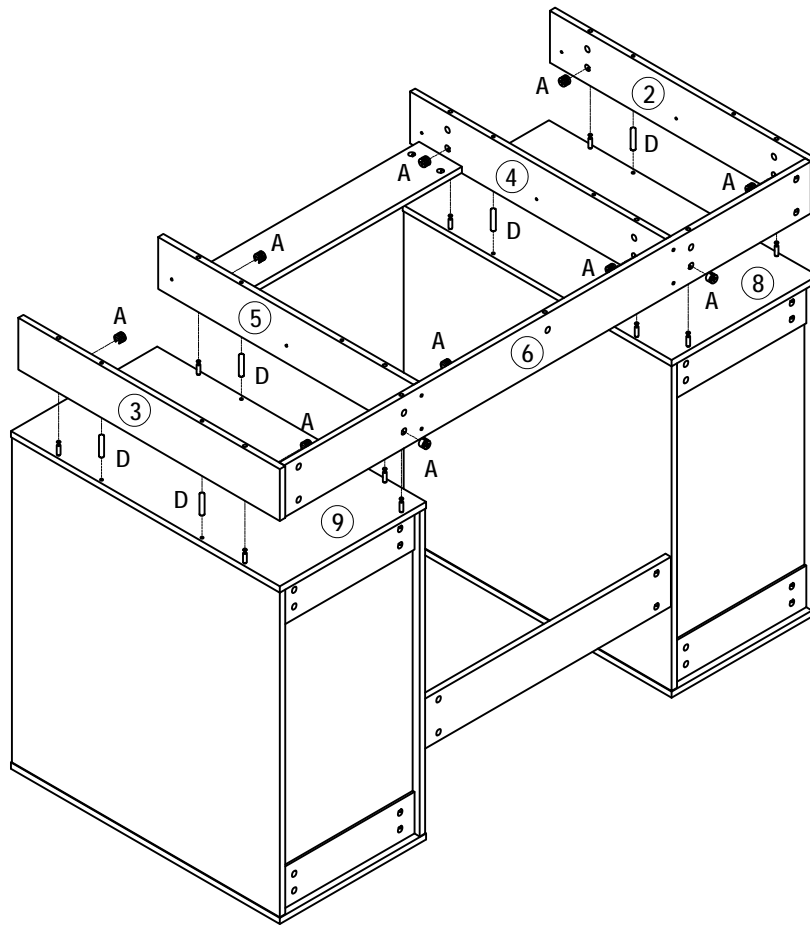
A	$\phi 12 \times 10$	C	M5 \times 40
			
	X 4		X 4



Installation Steps


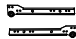
21 ▶

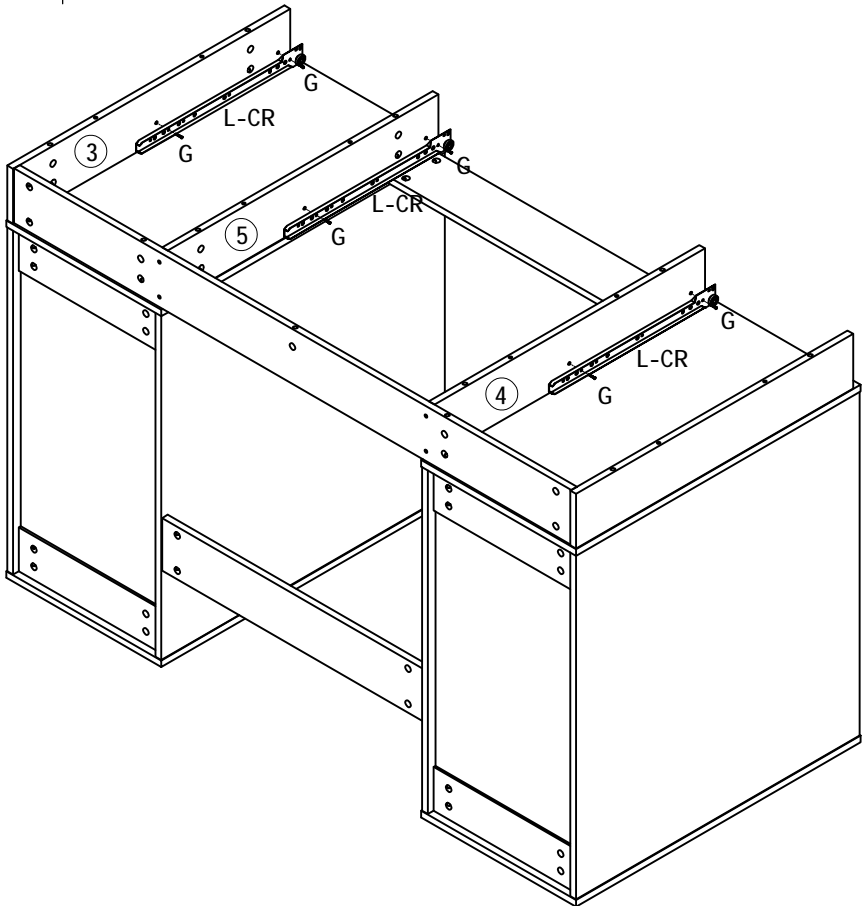
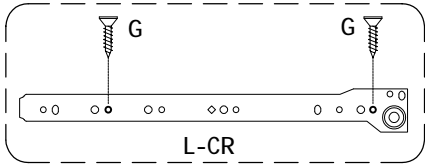
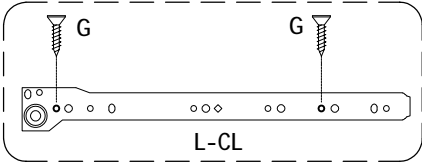
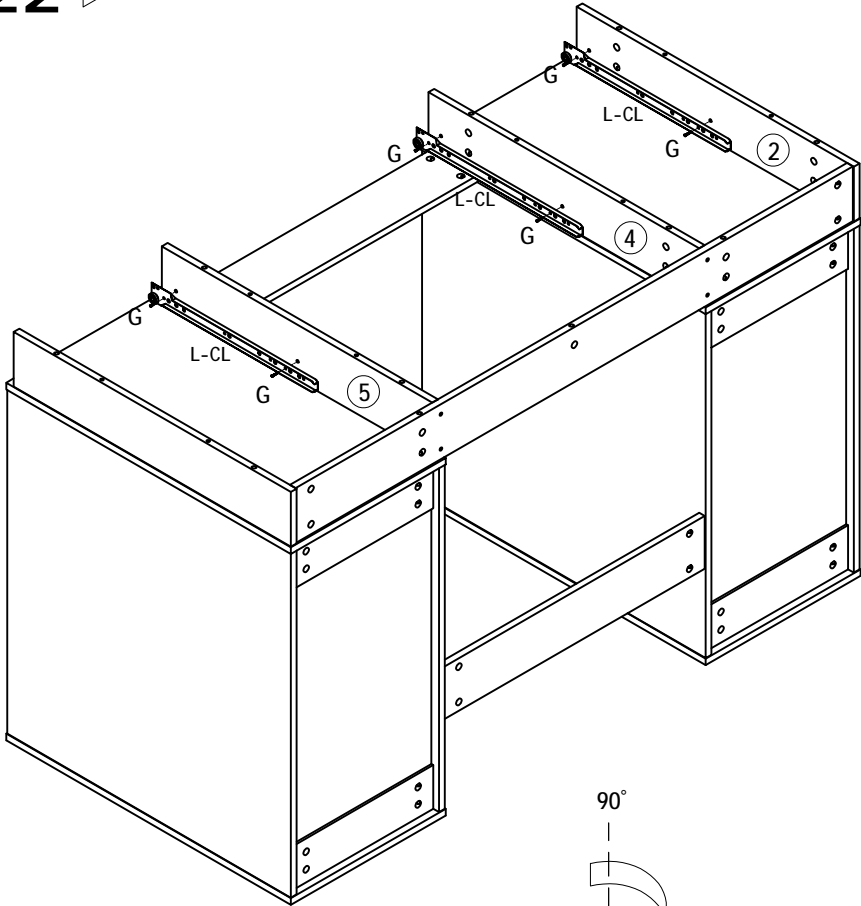
A	$\phi 12 \times 10$	D	$\phi 6 \times 40$
			
	X 10		X 8



Installation Steps


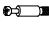

22 ▷

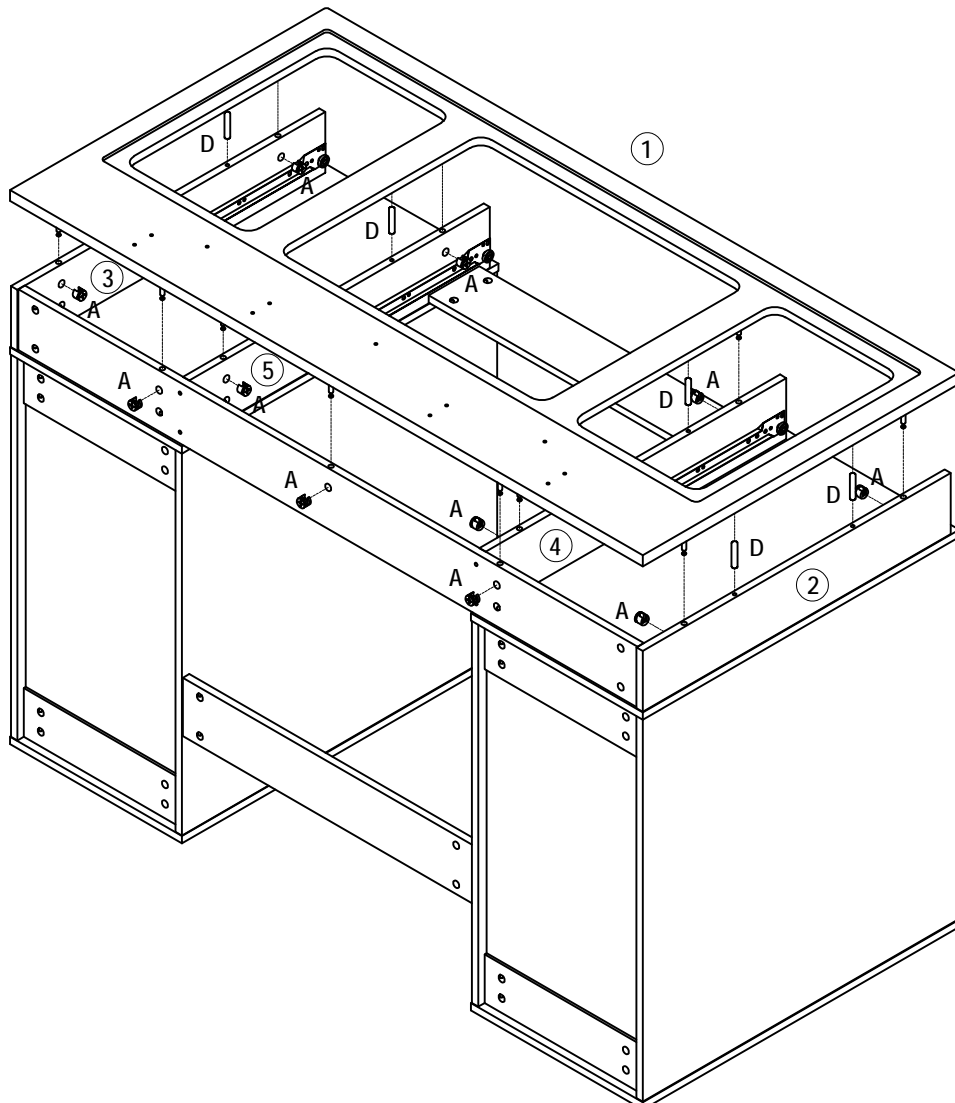
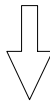
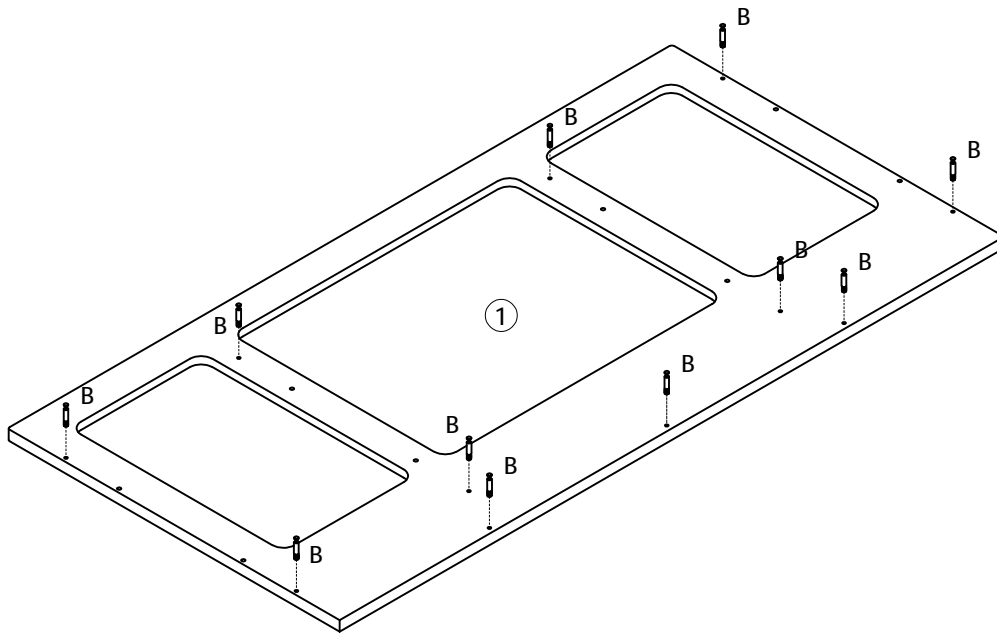
G	M3*12	L	14"
			
X 12		X 3	



Installation Steps

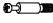
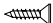

23 ▶

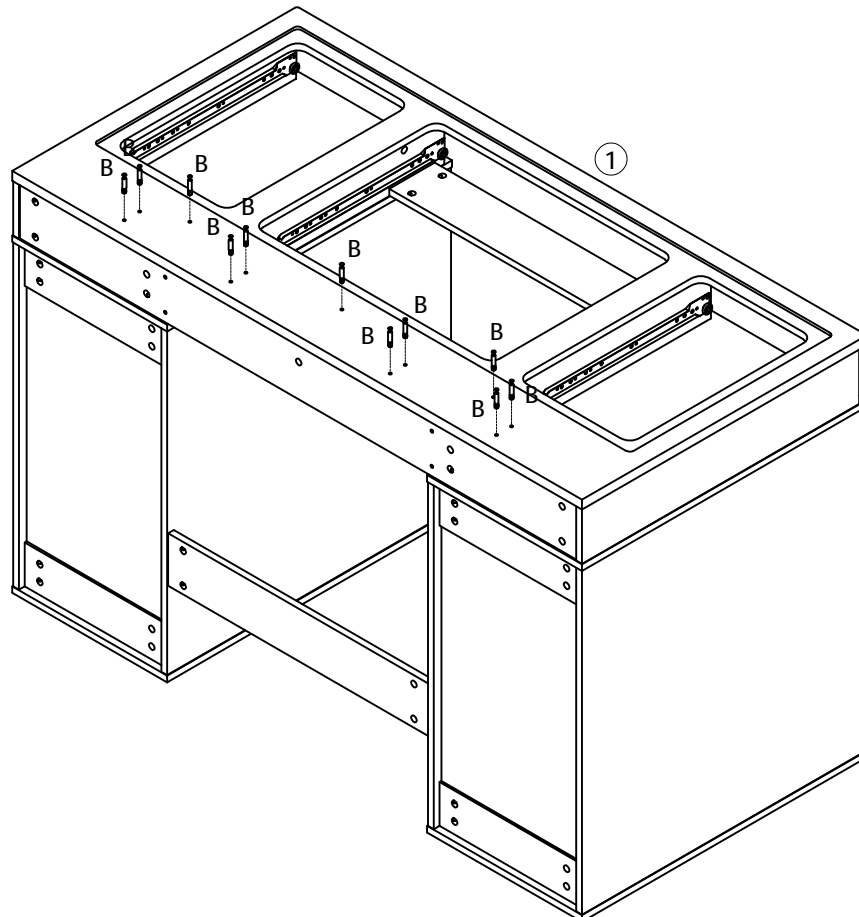
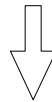
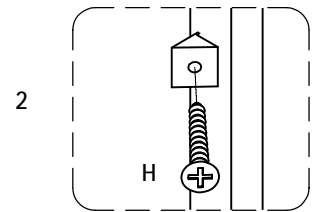
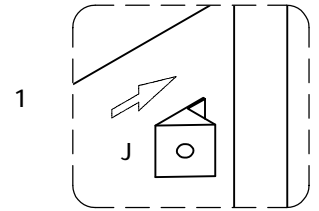
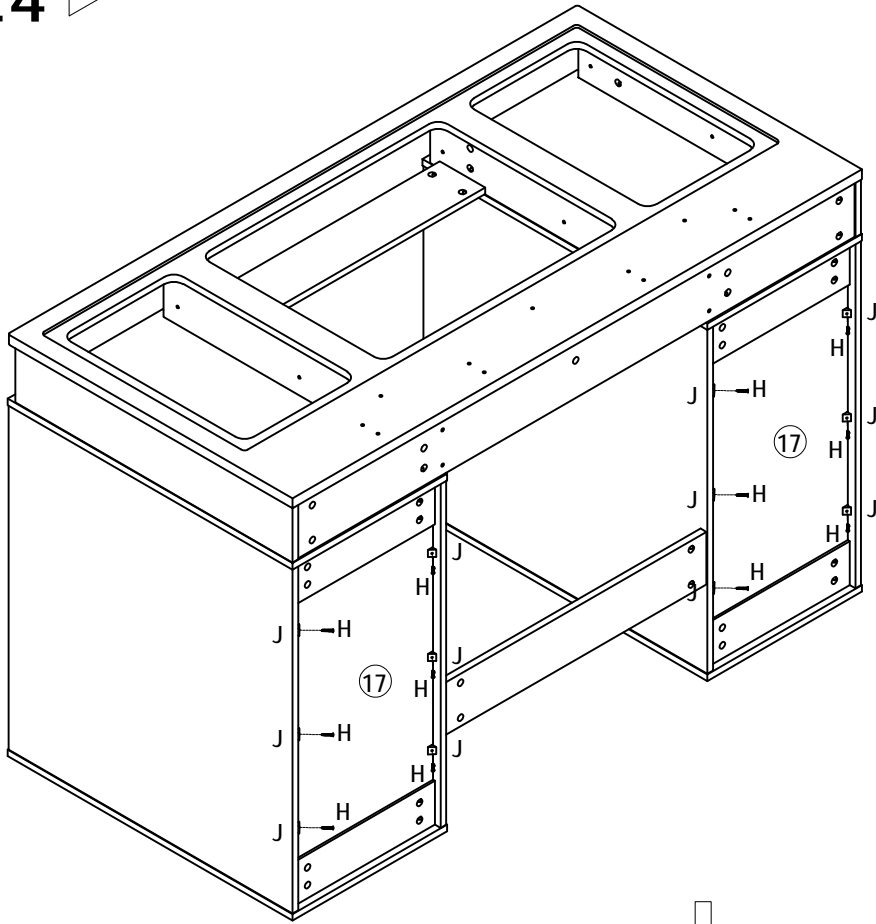
A	$\phi 12 \times 10$	B	$\phi 7 \times 40$	D	$\phi 6 \times 40$
					
	X 11		X 11		X 8



Installation Steps


24 ▶

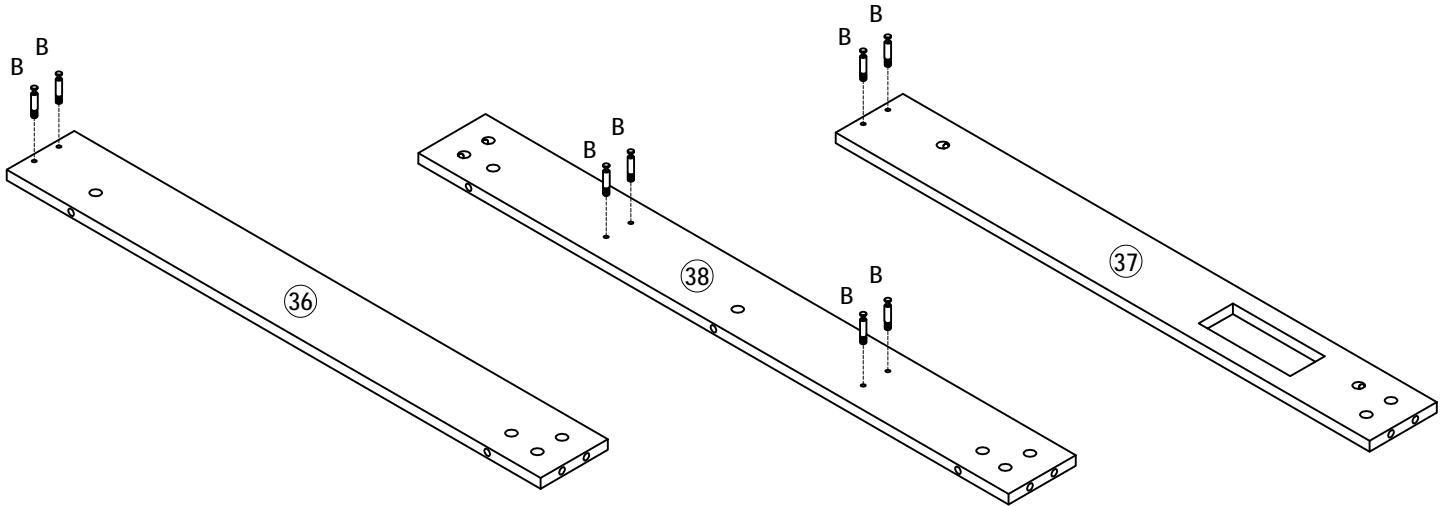
B	$\varnothing 7 \times 40$	H	M3.5*16	J	
					
	X 11		X 12		X 12



Installation Steps


25 ▷

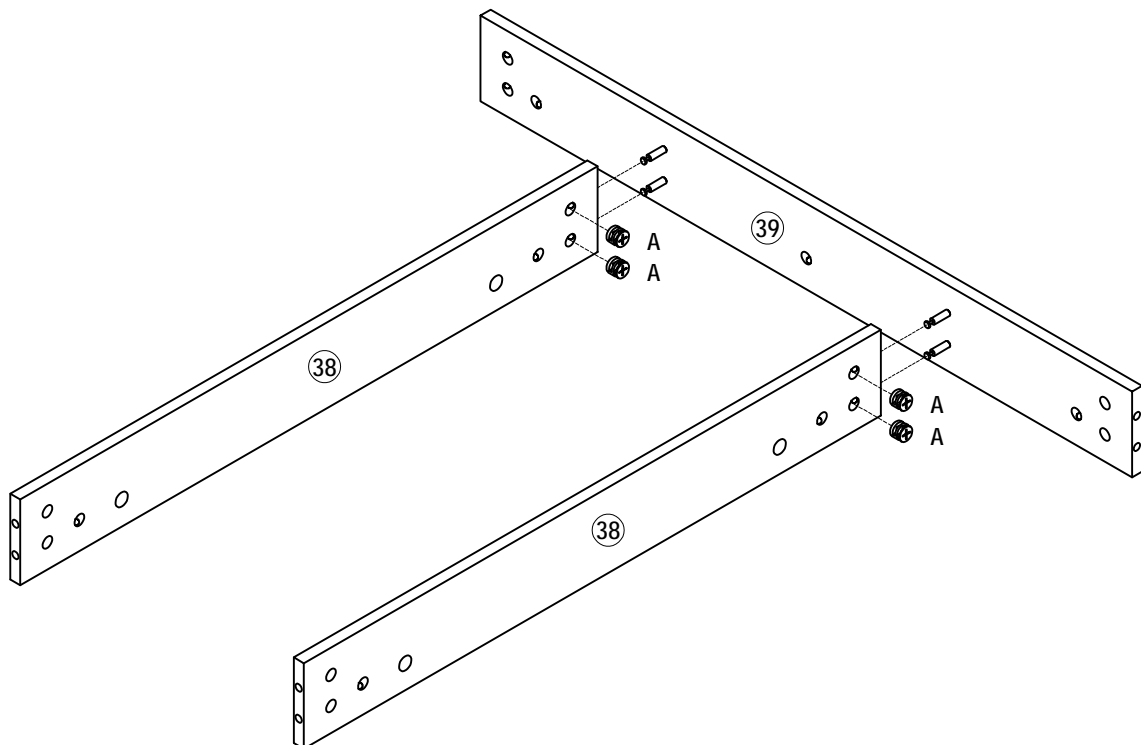
B $\phi 7 \times 40$

X 8



x 2


26 ▷

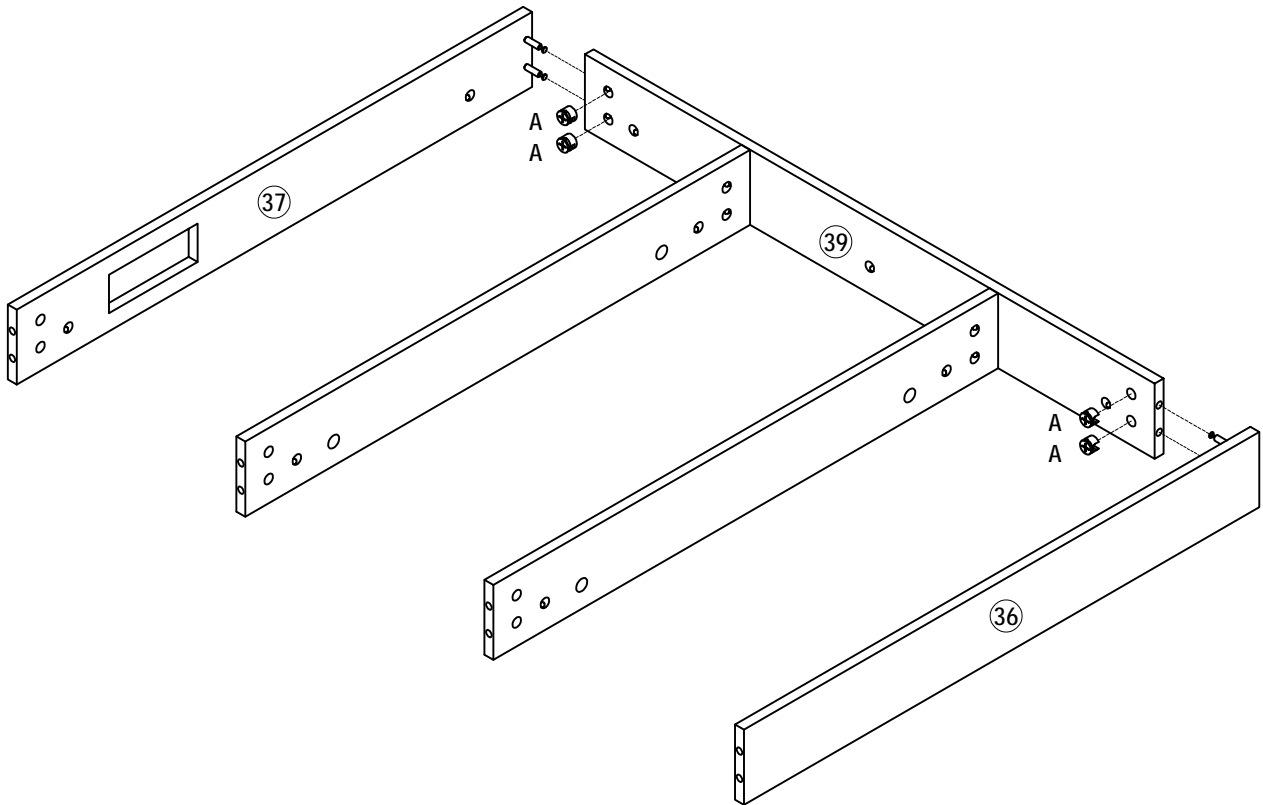
A $\phi 12 \times 10$

X 4




Installation Steps

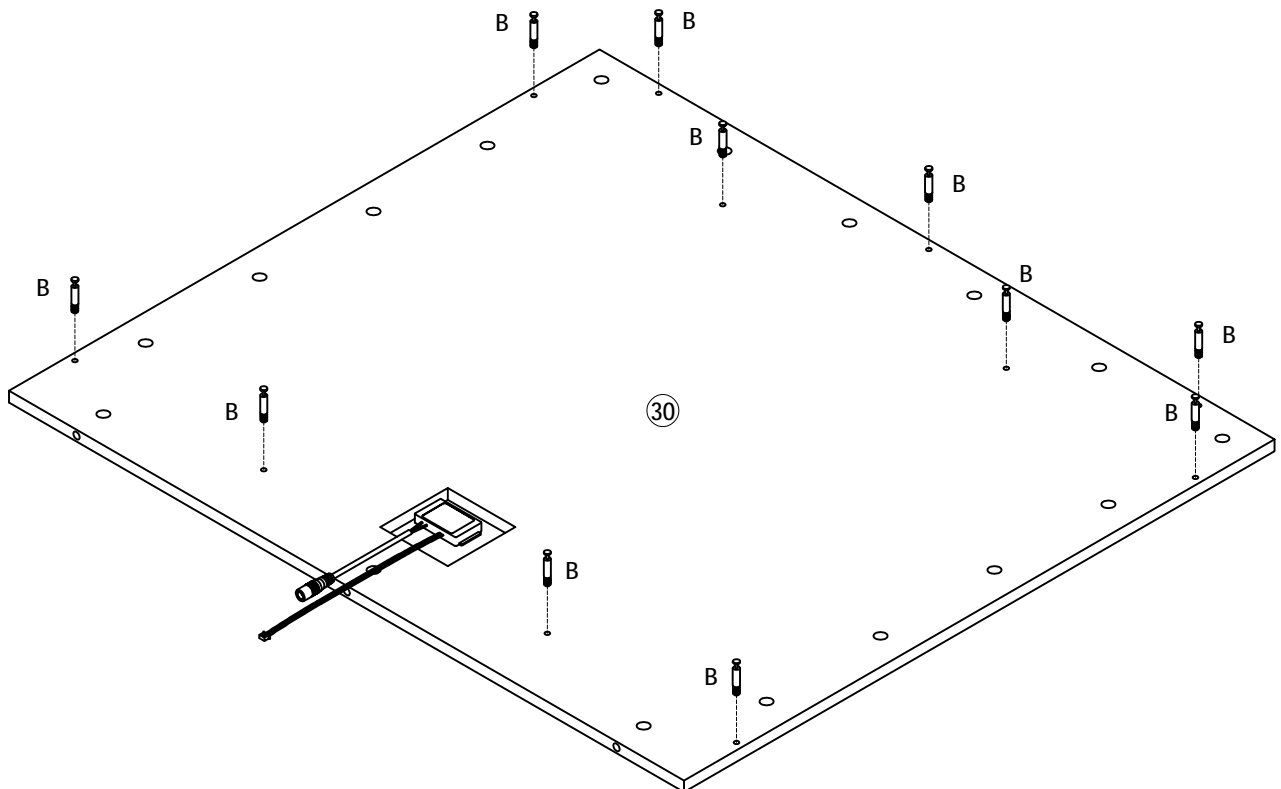
27 ▷

A $\phi 12 \times 10$

X 4




28 ▷

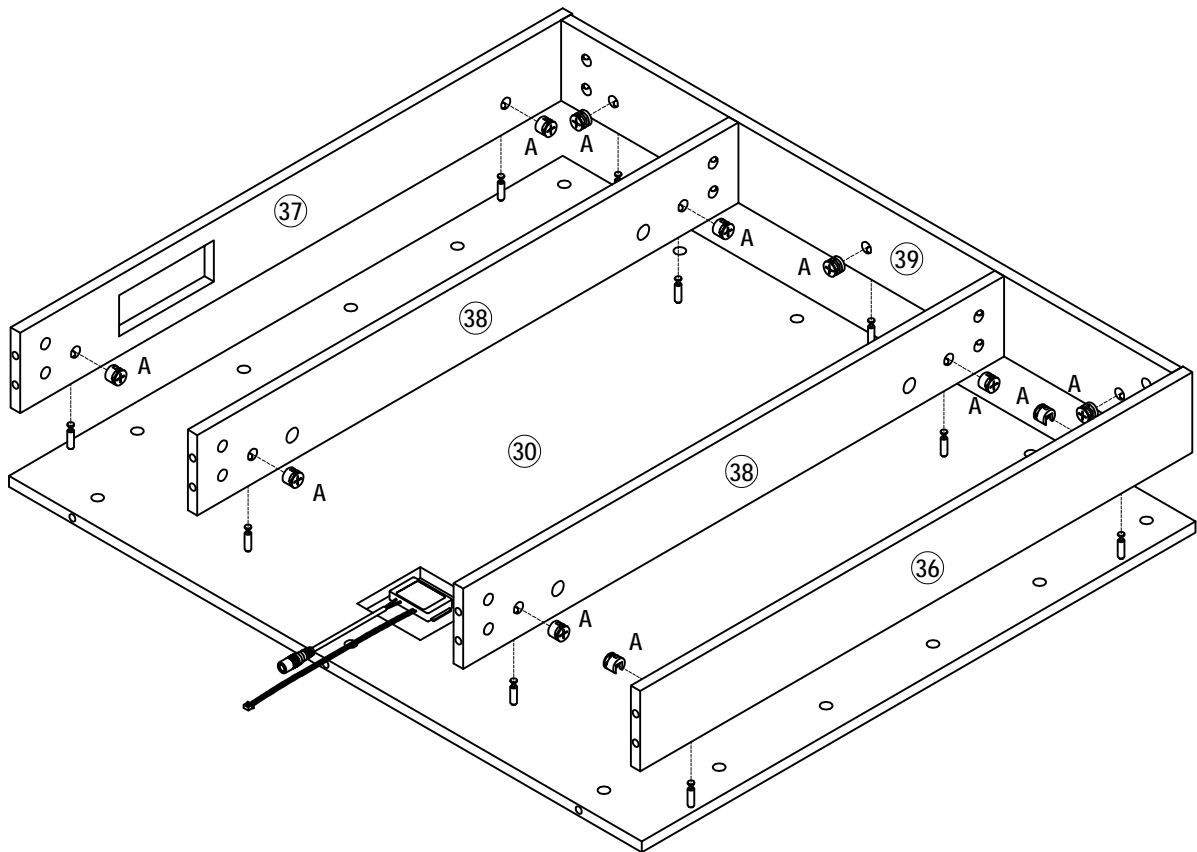
B $\phi 7 \times 40$

X 11




Installation Steps

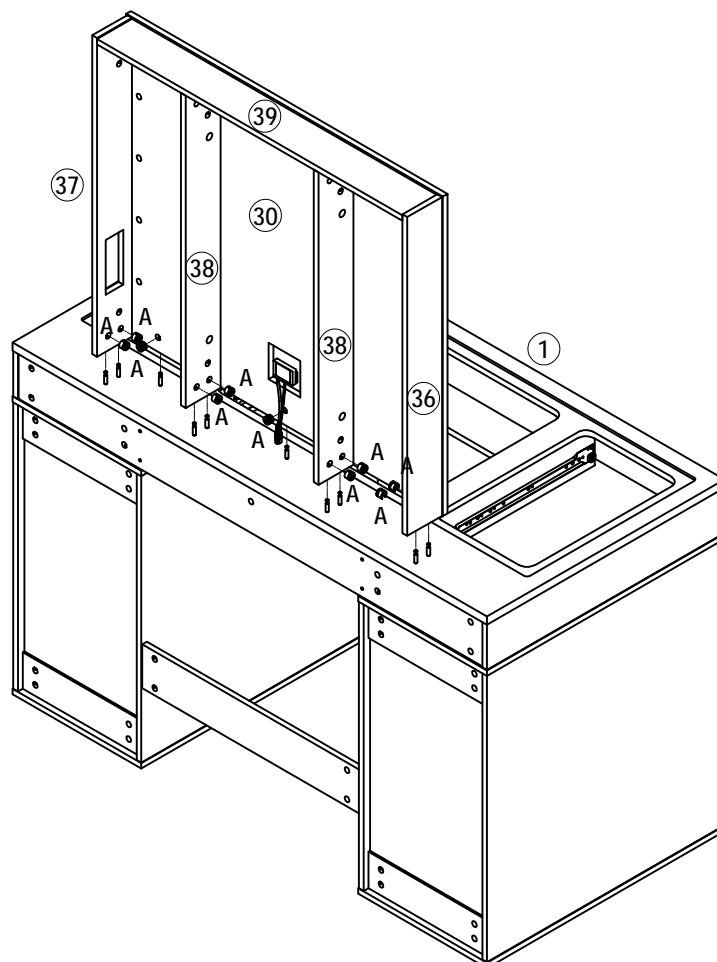
29 ▷

A $\phi 12 \times 10$

X 11



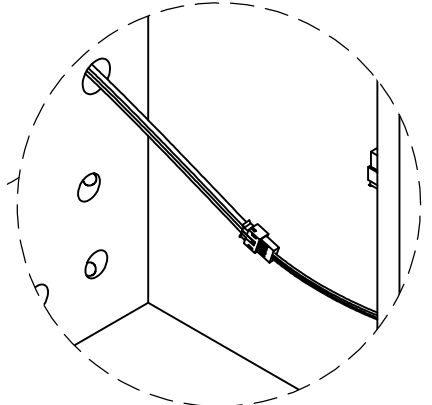
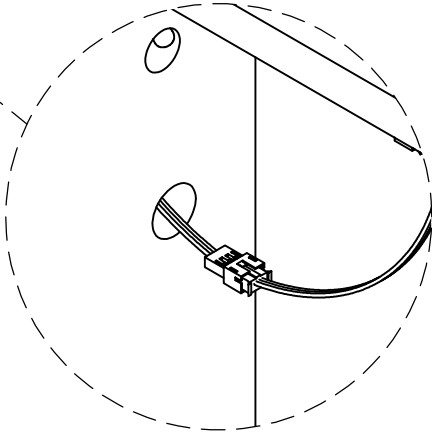
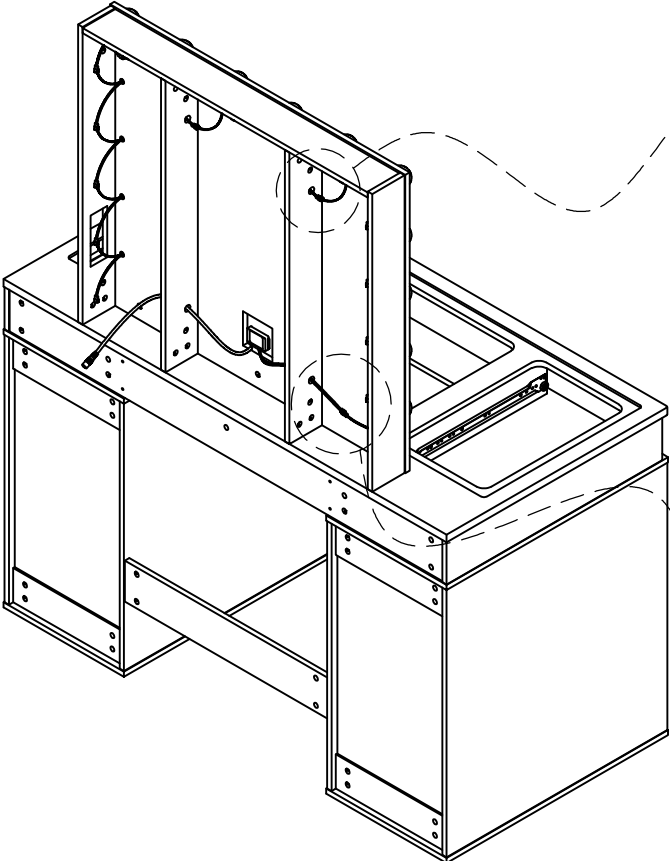
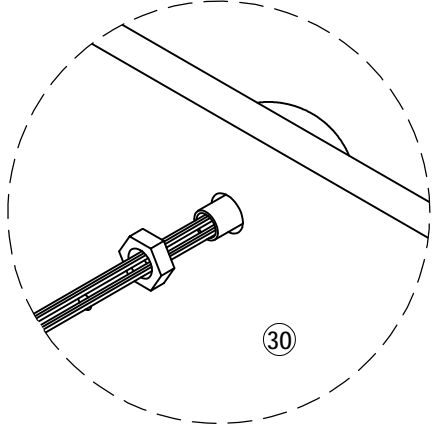
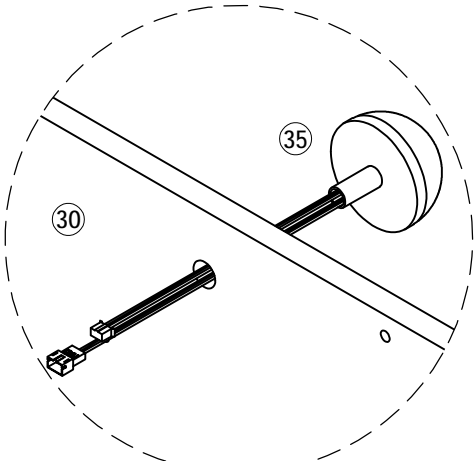
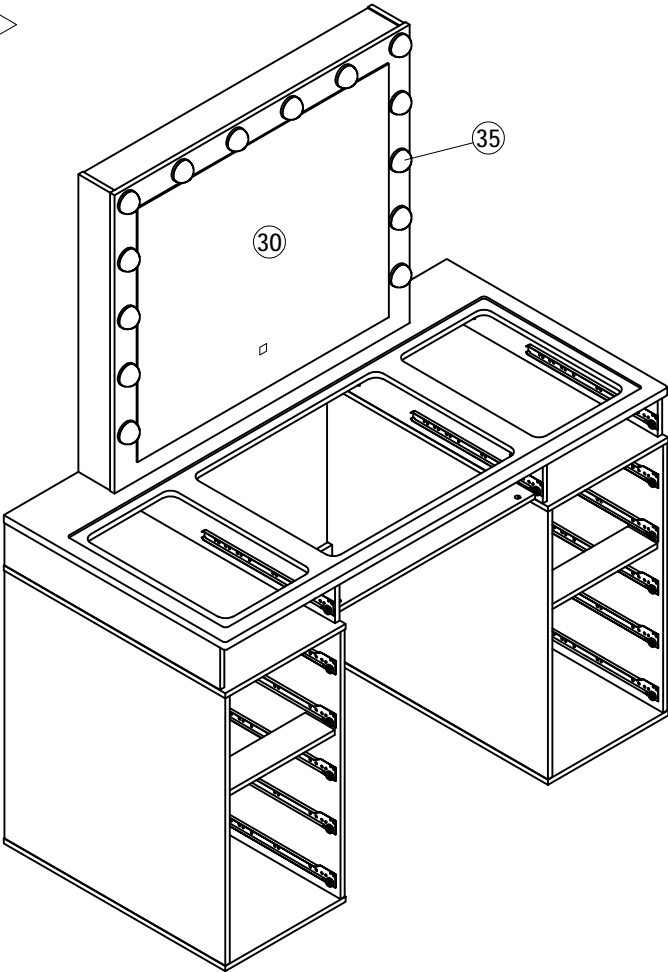
30 ▷

A $\phi 12 \times 10$

X 11



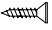
Installation Steps

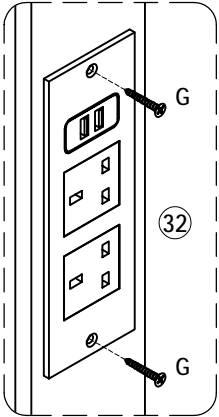
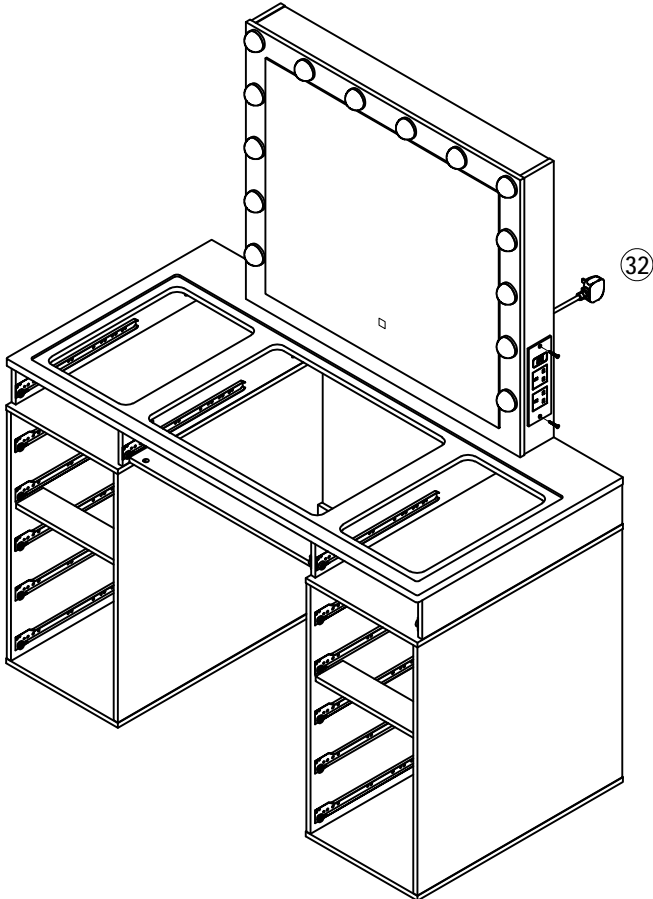
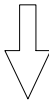
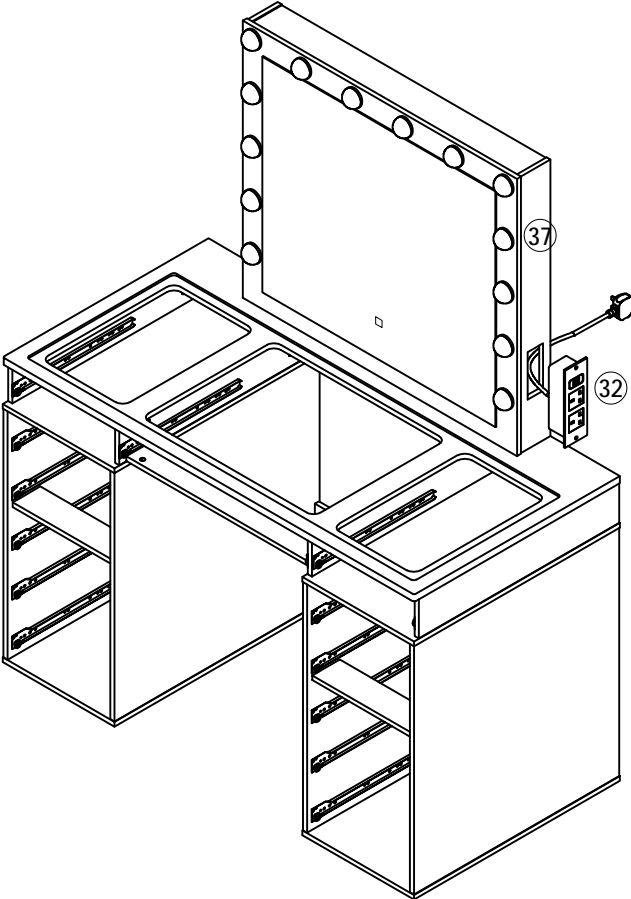
31 ▶



Installation Steps

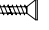
32 ▶

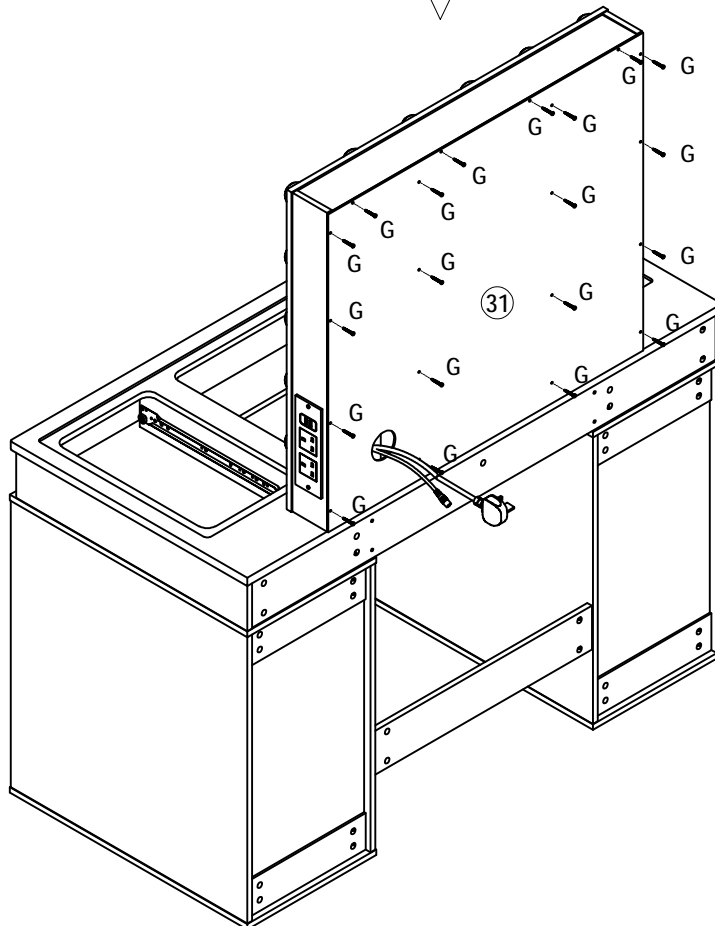
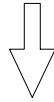
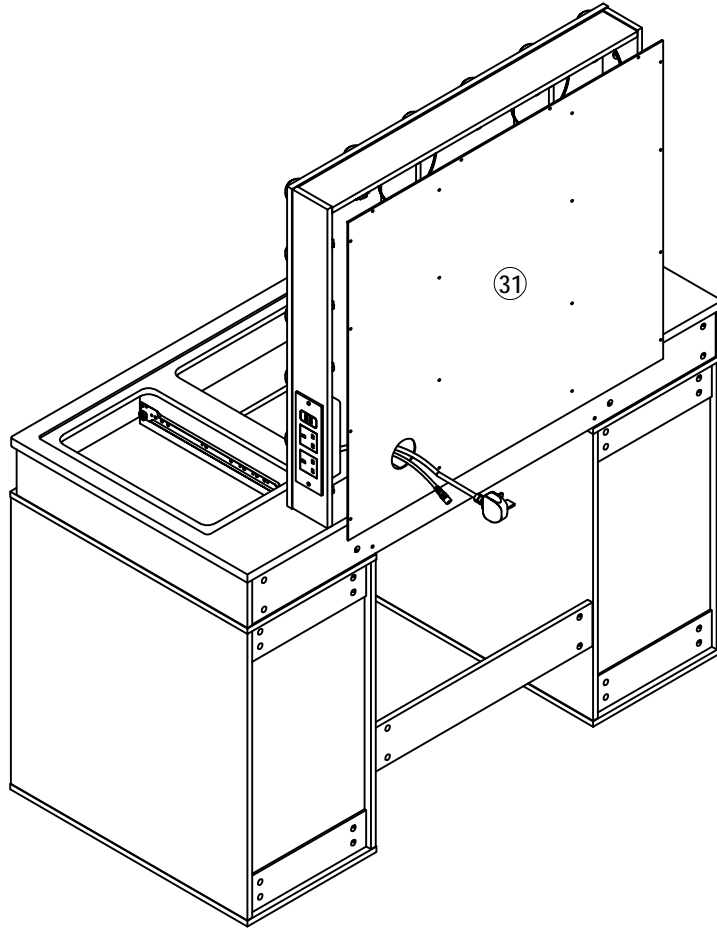
G M3*12

X 2



Installation Steps

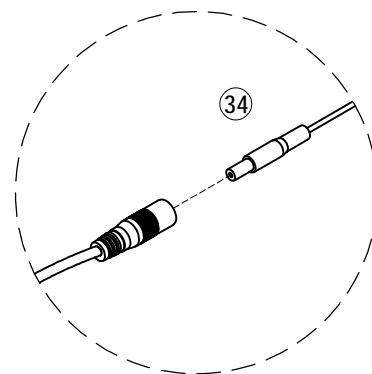
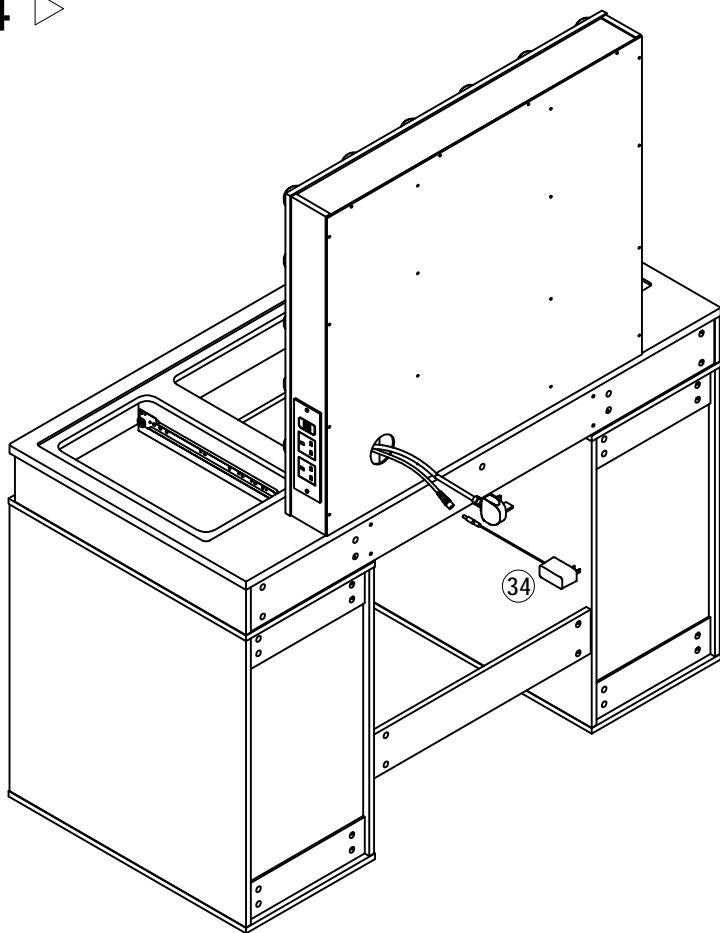
33 ▶

G M3*12

X 20

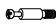


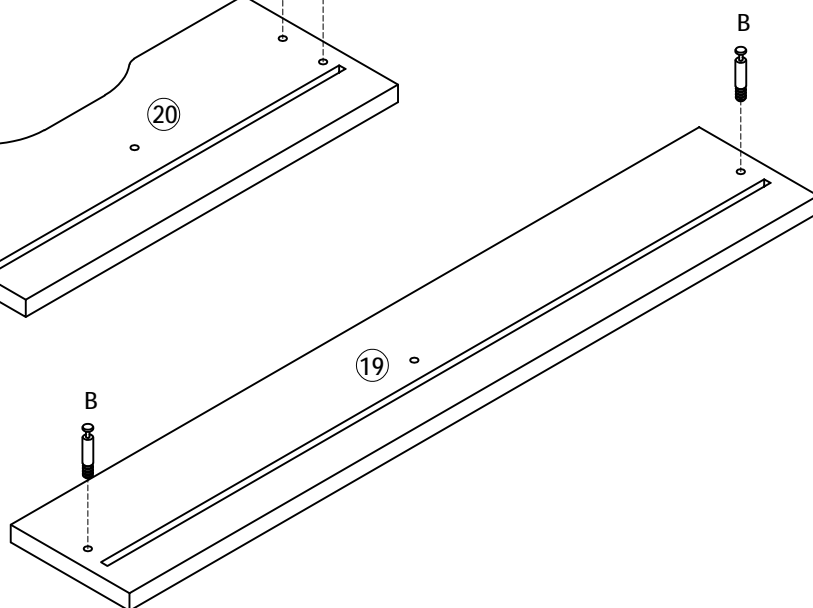
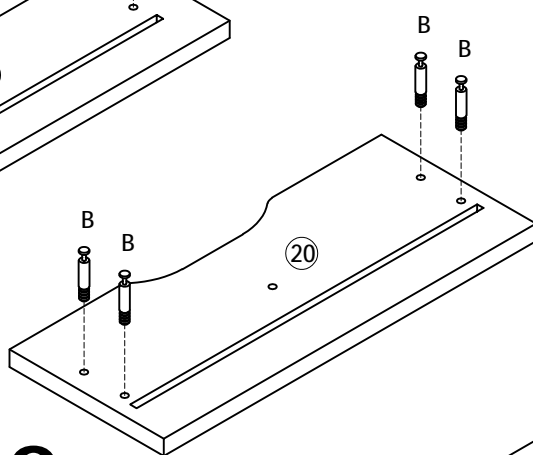
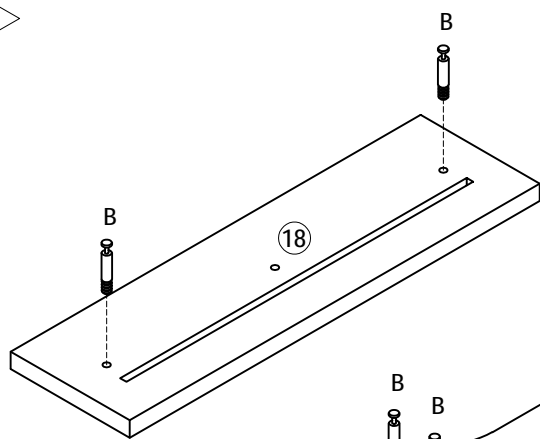
Installation Steps

34 ▶



35 ▶

B $\phi 7 \times 40$

X 46


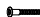




x 2

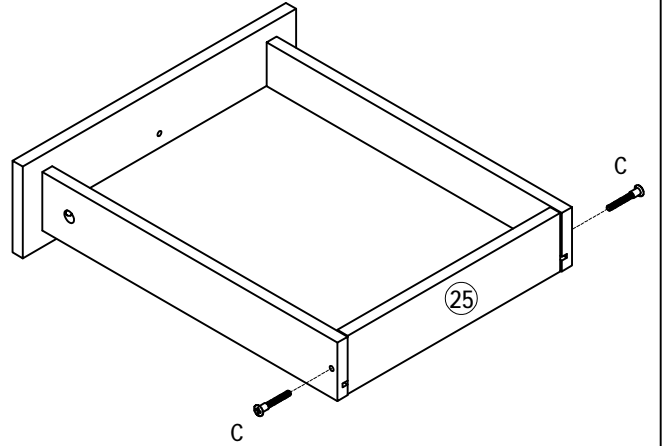
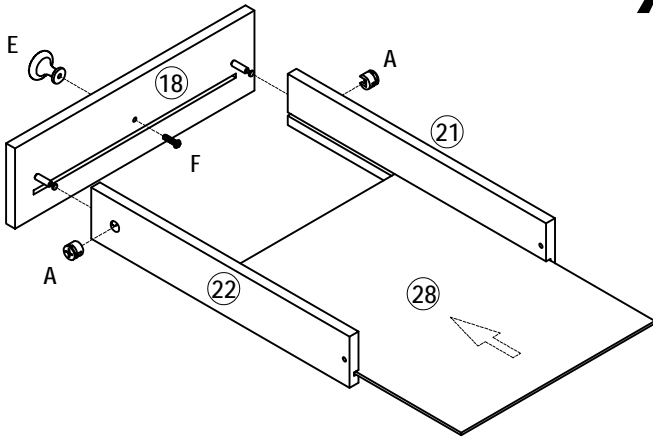
x 10

Installation Steps





36 ▶

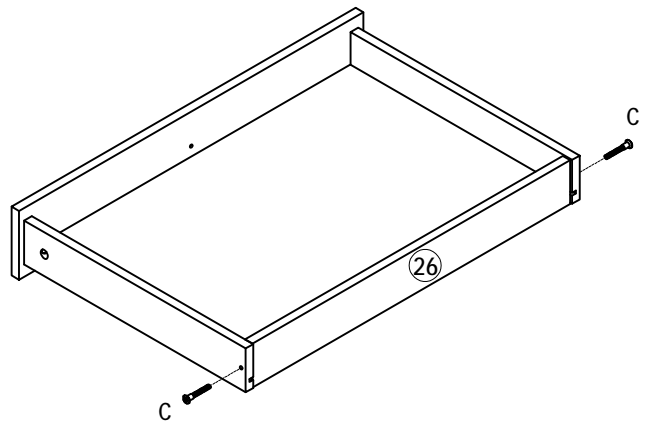
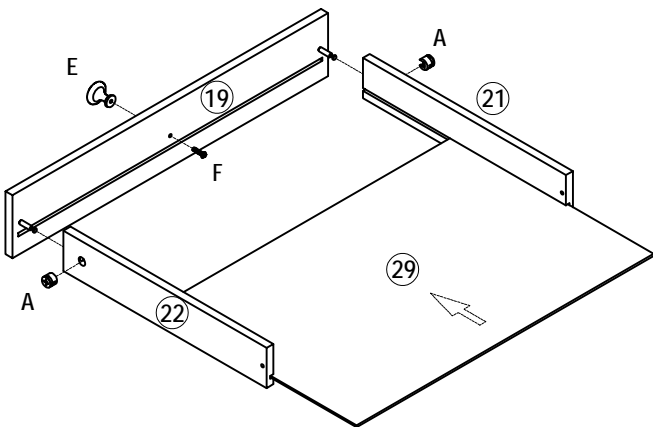
A $\phi 12 \times 10$  X 4	C M5*40  X 4	E  X 2	F $\phi 4 \times 16$  X 2
--	--	--	---

x 2







37 ▶

A $\phi 12 \times 10$  X 2	C M5*40  X 2	E  X 1	F $\phi 4 \times 16$  X 1
--	--	--	---

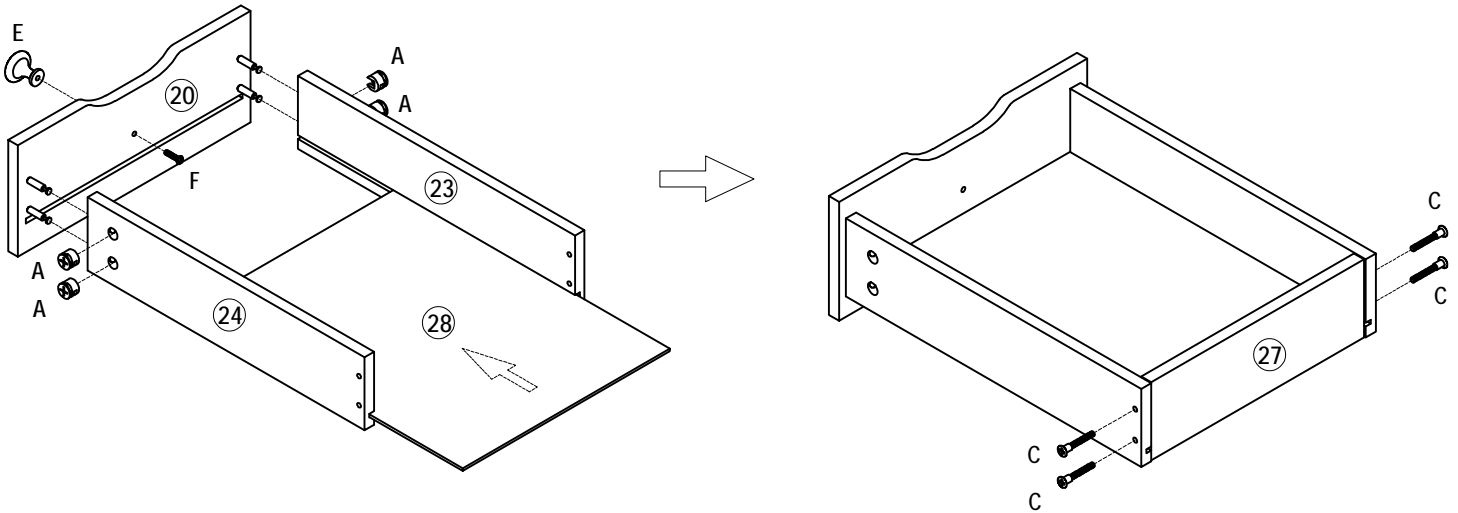


Installation Steps

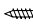

38 ▷

A $\phi 12 \times 10$  X 40	C M5*40  X 40	E  X 10	F $\phi 4 \times 16$  X 10
---	---	---	--

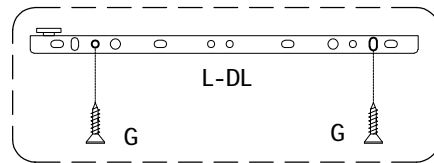
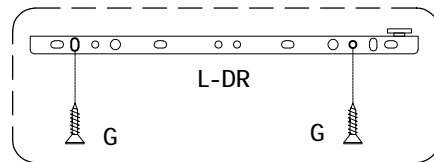
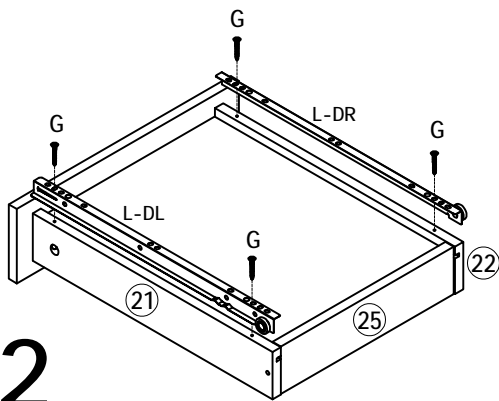
x 10



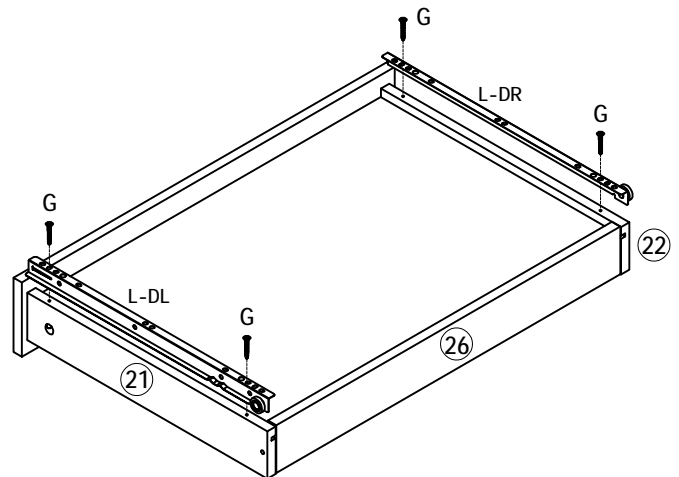
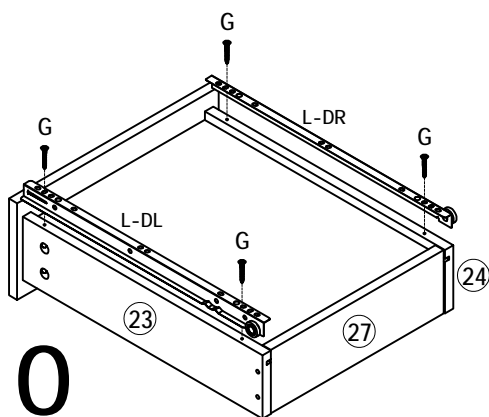
39 ▷

G M3*12  X 52	L 14"  X 13
---	---

x 2

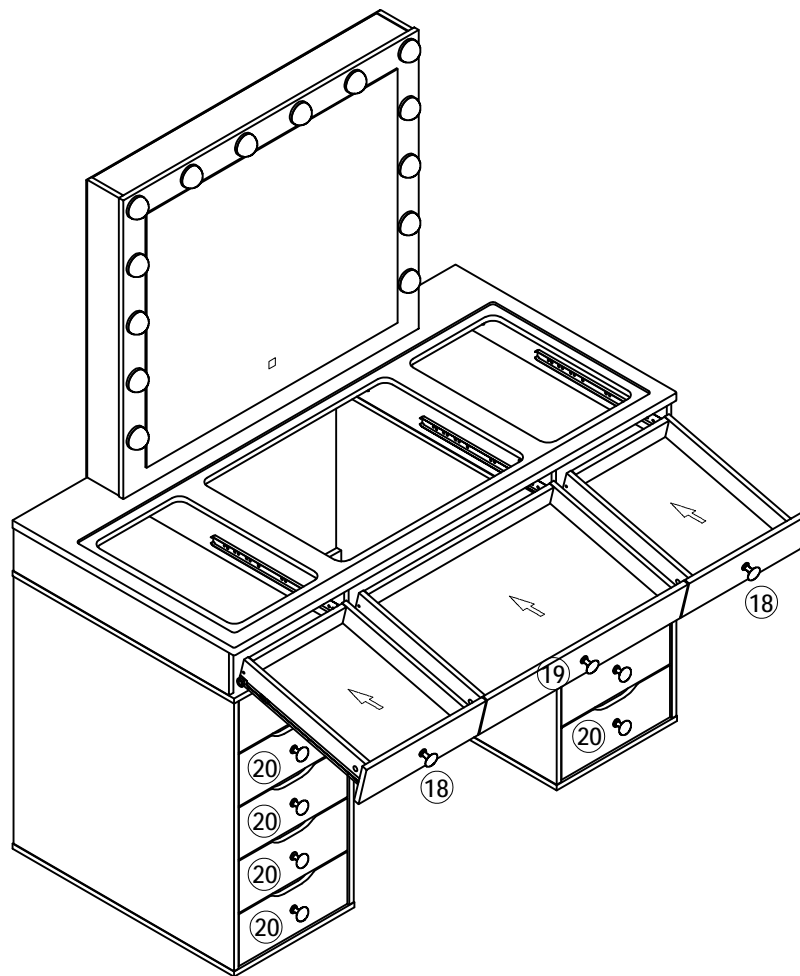


x 10



Installation Steps

40 ▷



41 ▷

G M3*12
X 2

