

Installation Guide

SOCE067

Bamboo Wood / Original Living / Small Furniture

Parts List (3-Door Model Example)

Side Bracket x 2

Plastic Side Bracket, Left x 3

Plastic Side Bracket, Right x 3

Batten x 4

Divider Board A x 3

Divider Board A x 6

Top Board x 6

Door Panel x 3

Large Screw

Small Screw

Flat Head Screw

Pivot Pin Screw

Door Clip

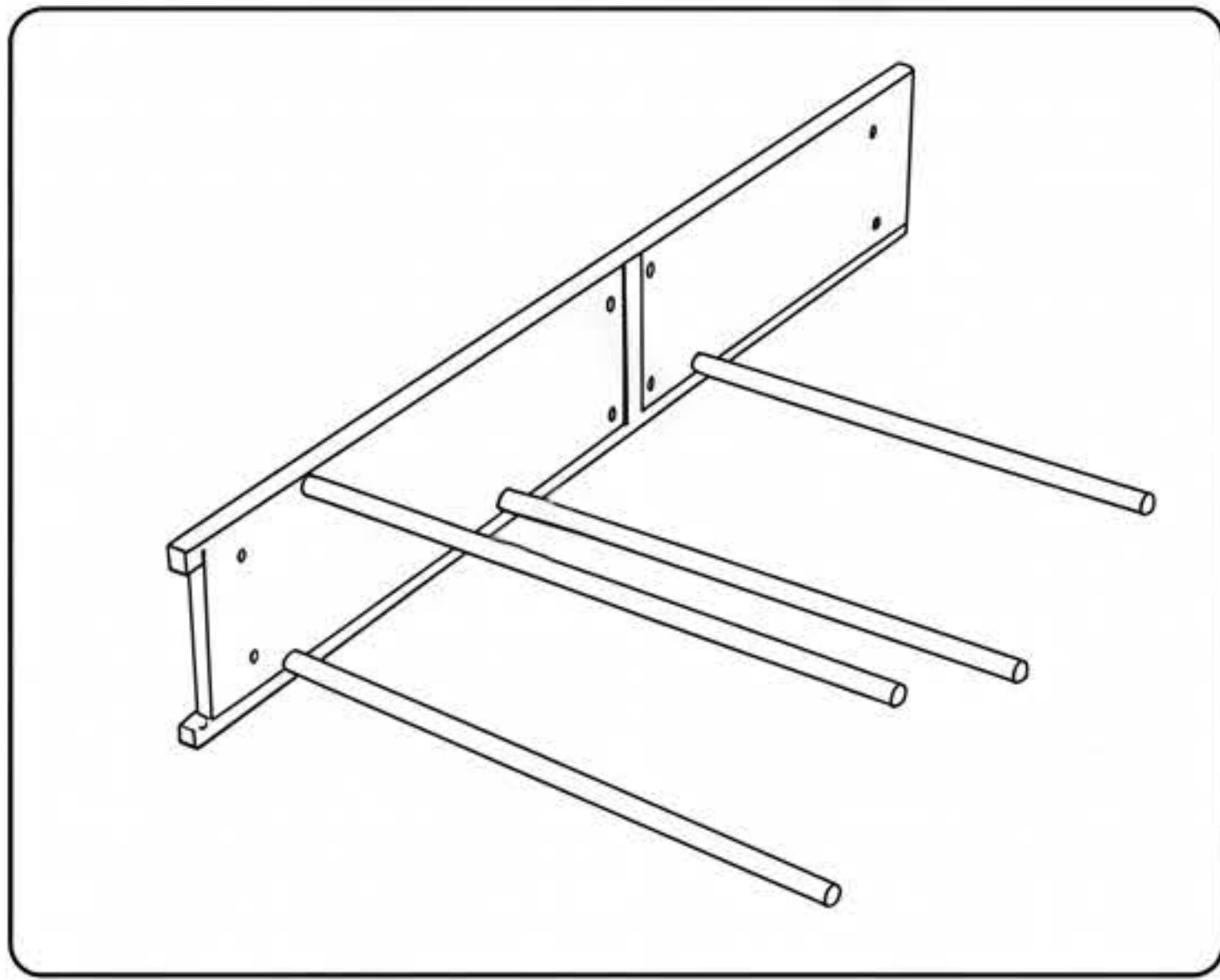
Door Handle

Assembly Tool

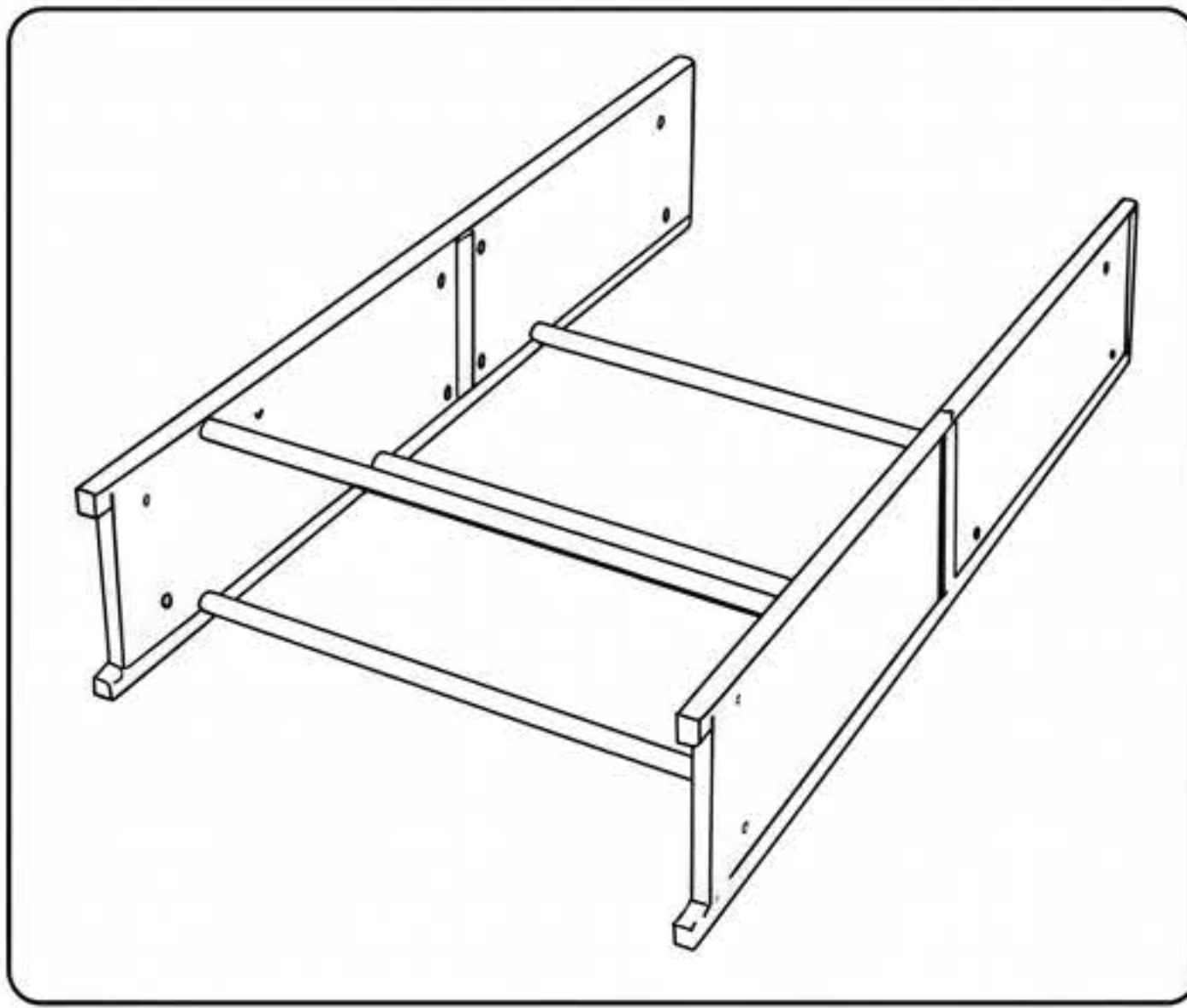
Anti-Tip Device

Double-Sided Tape

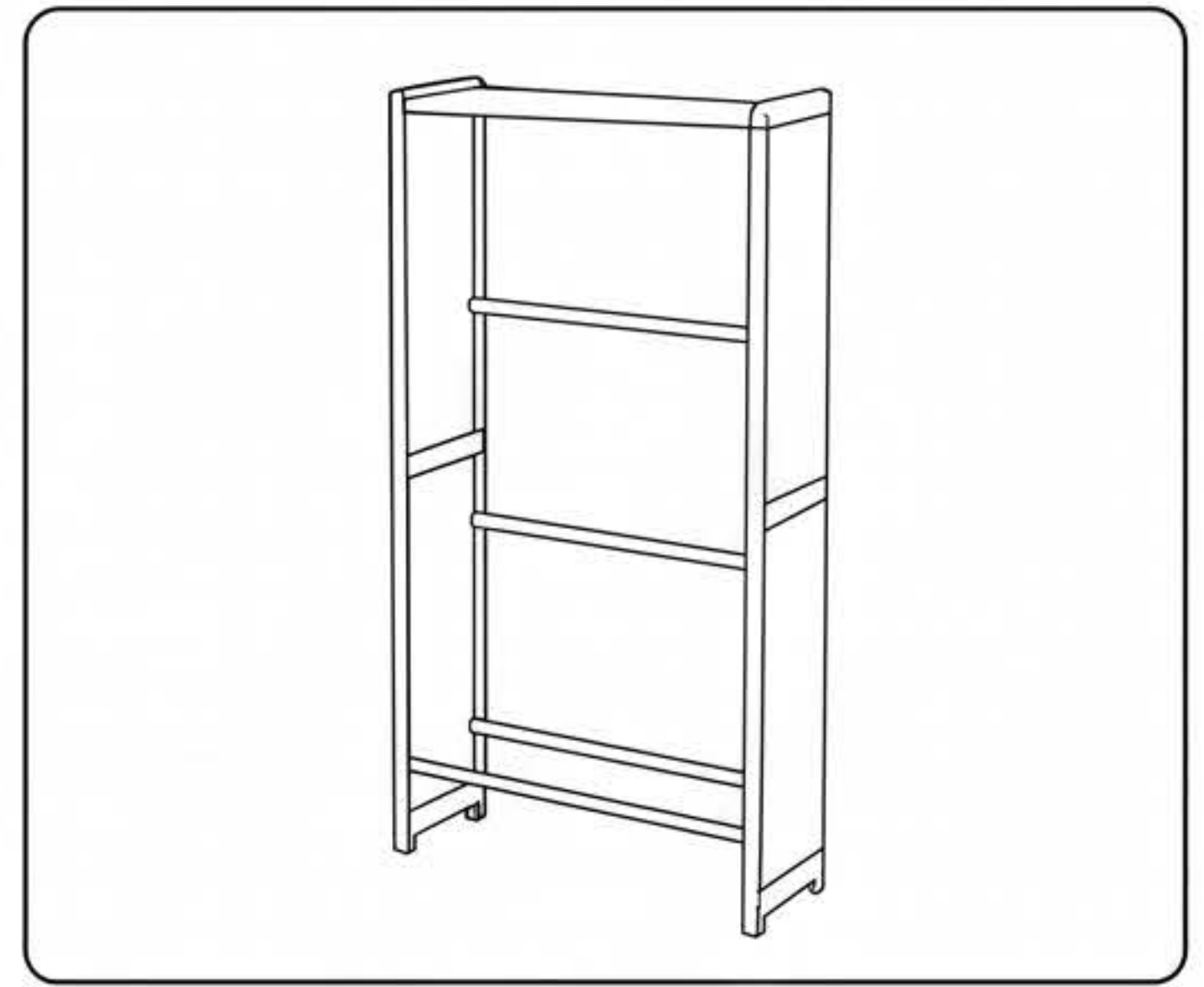
START ASSEMBLY



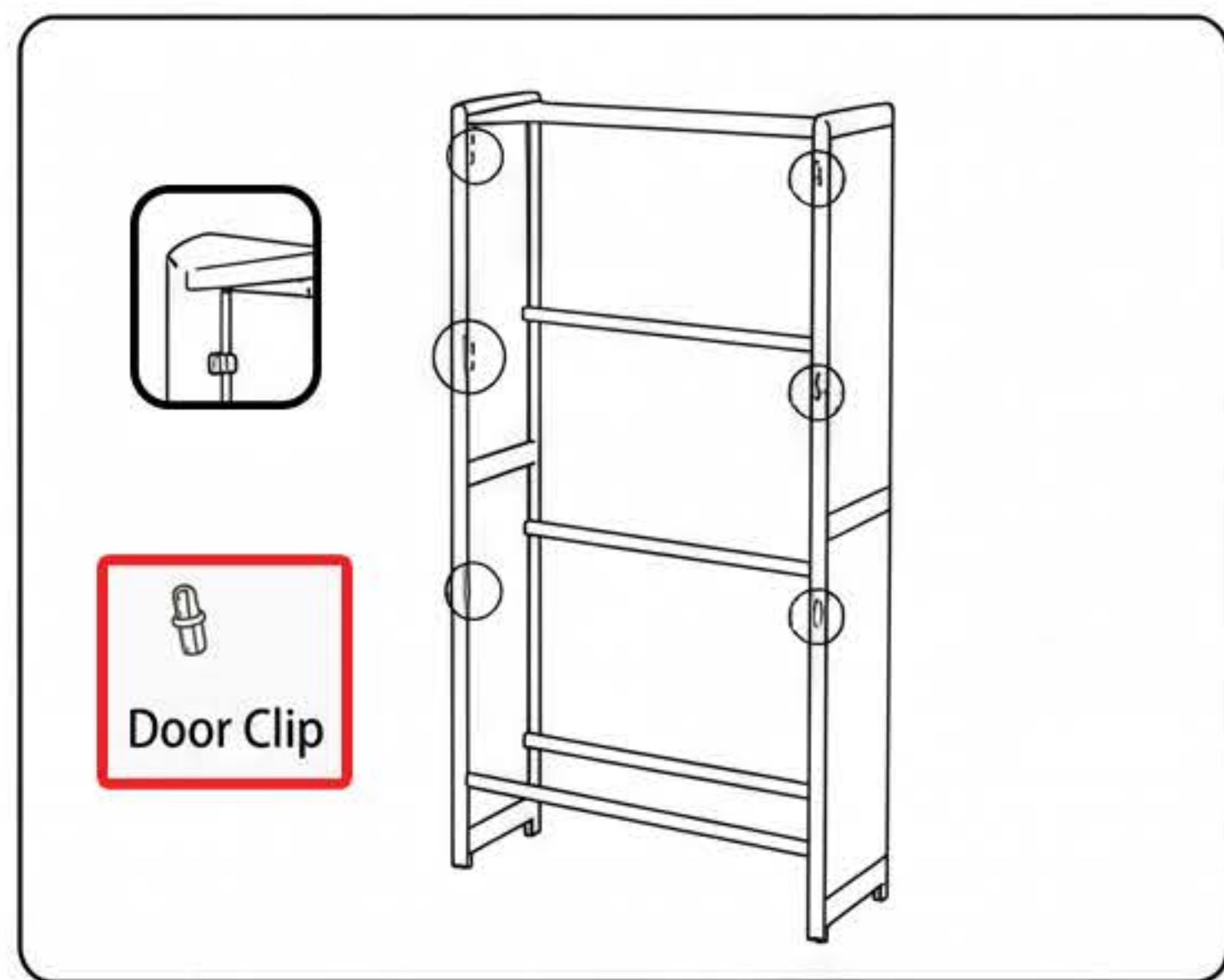
1. Take out the side bracket and batten, then install with large screws.



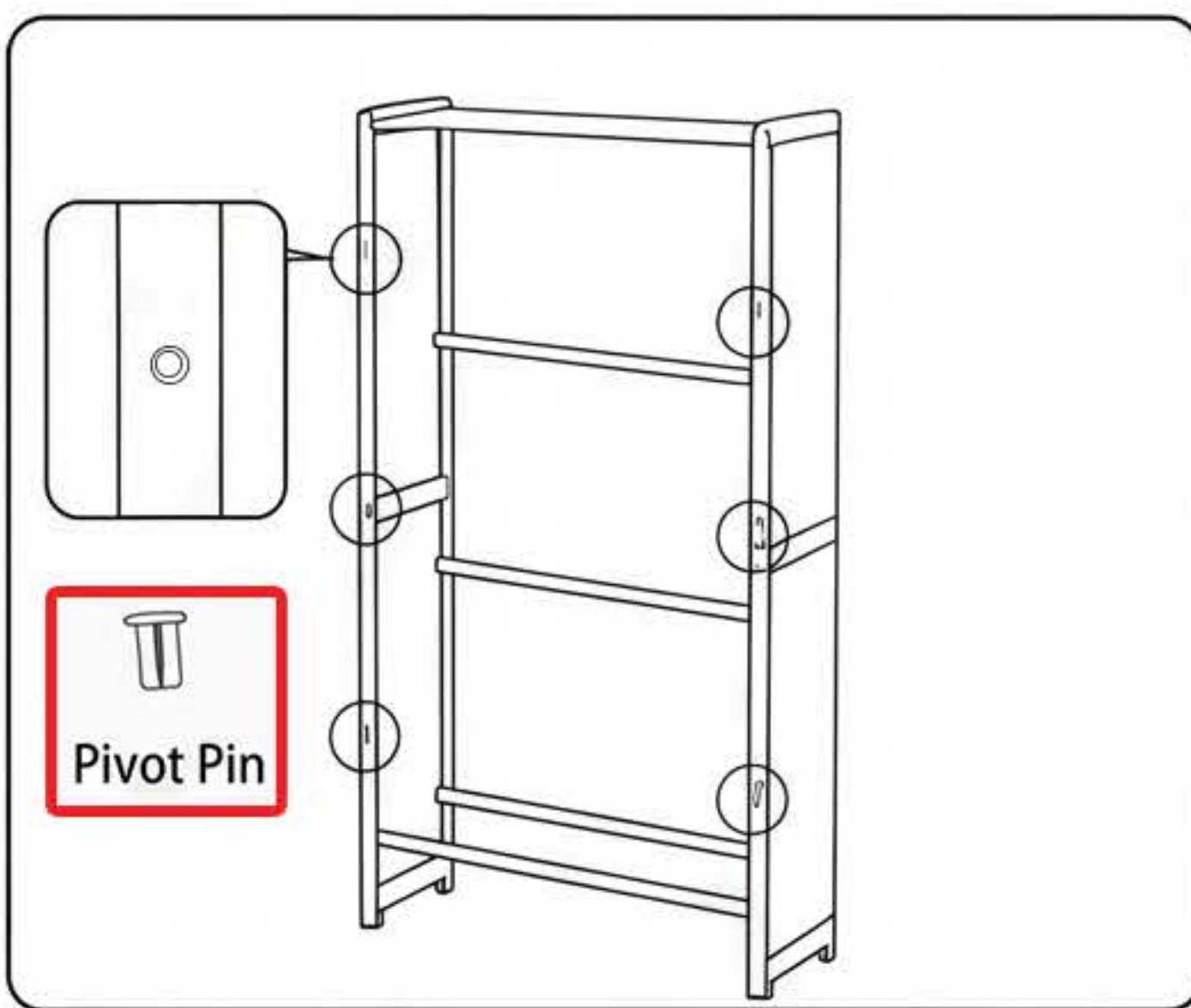
2. Take out the other side bracket and secure with large screws.



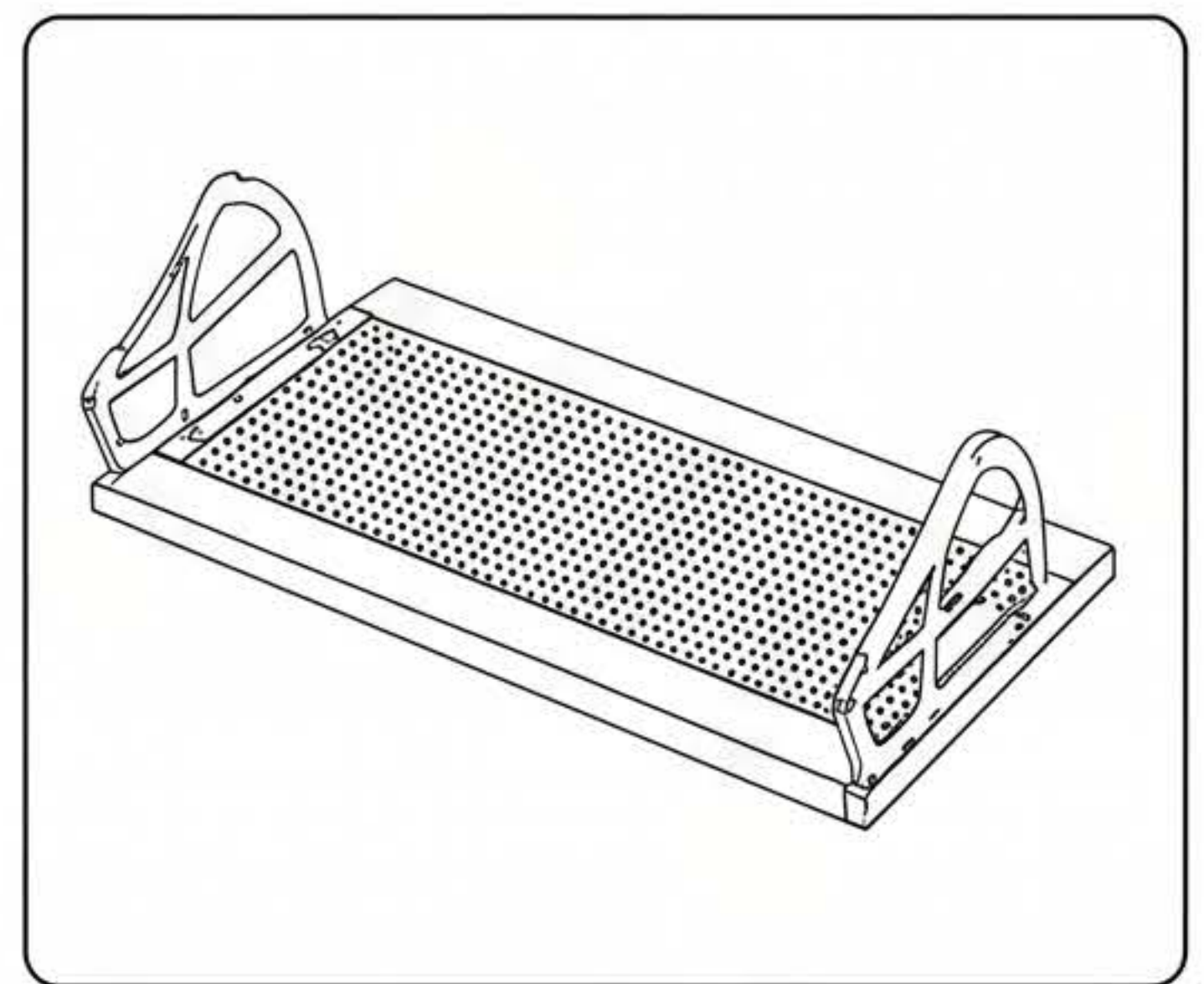
3. Take out the top board and install with large screws.



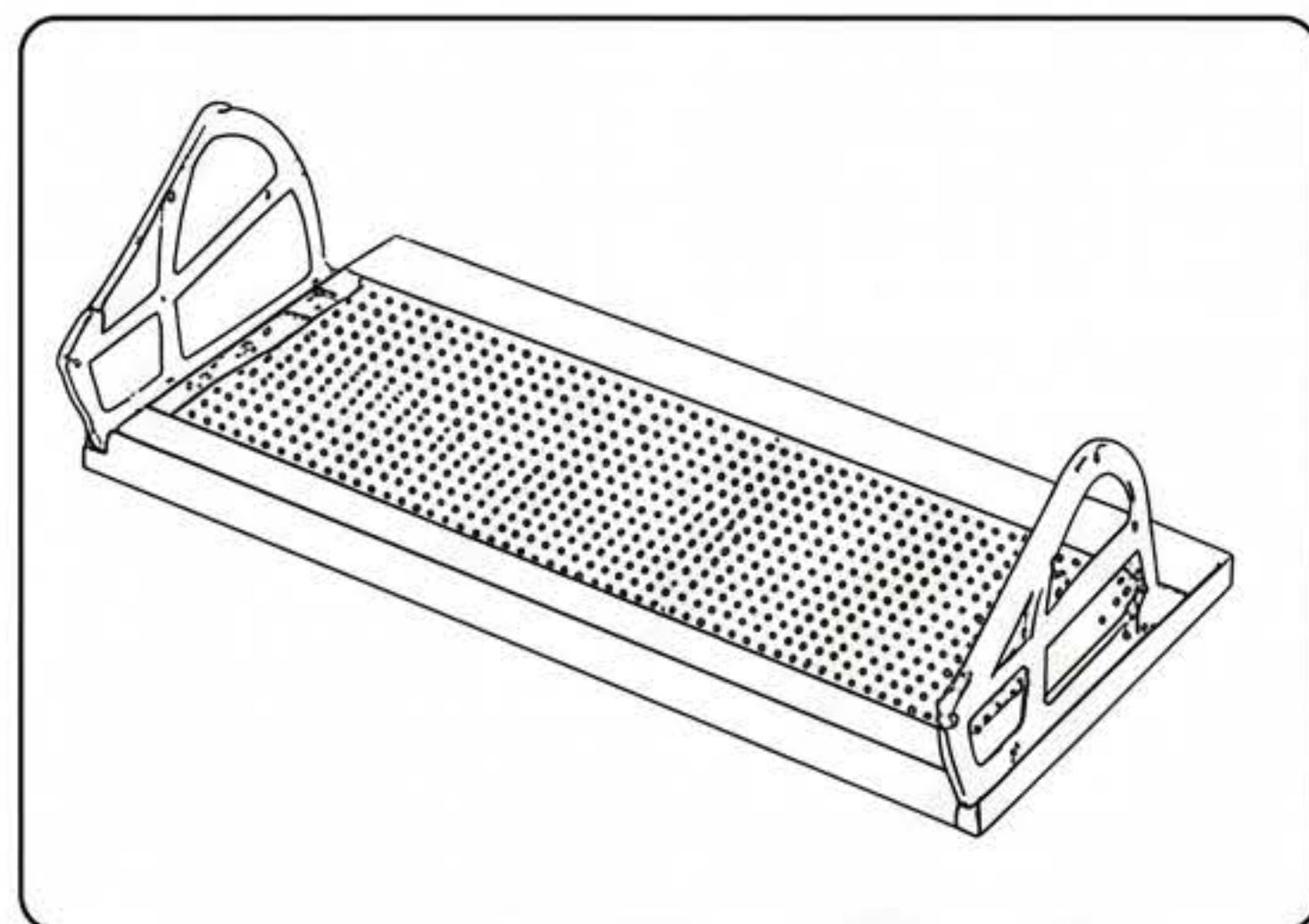
4. Take out the door catch and snap it into the hole.



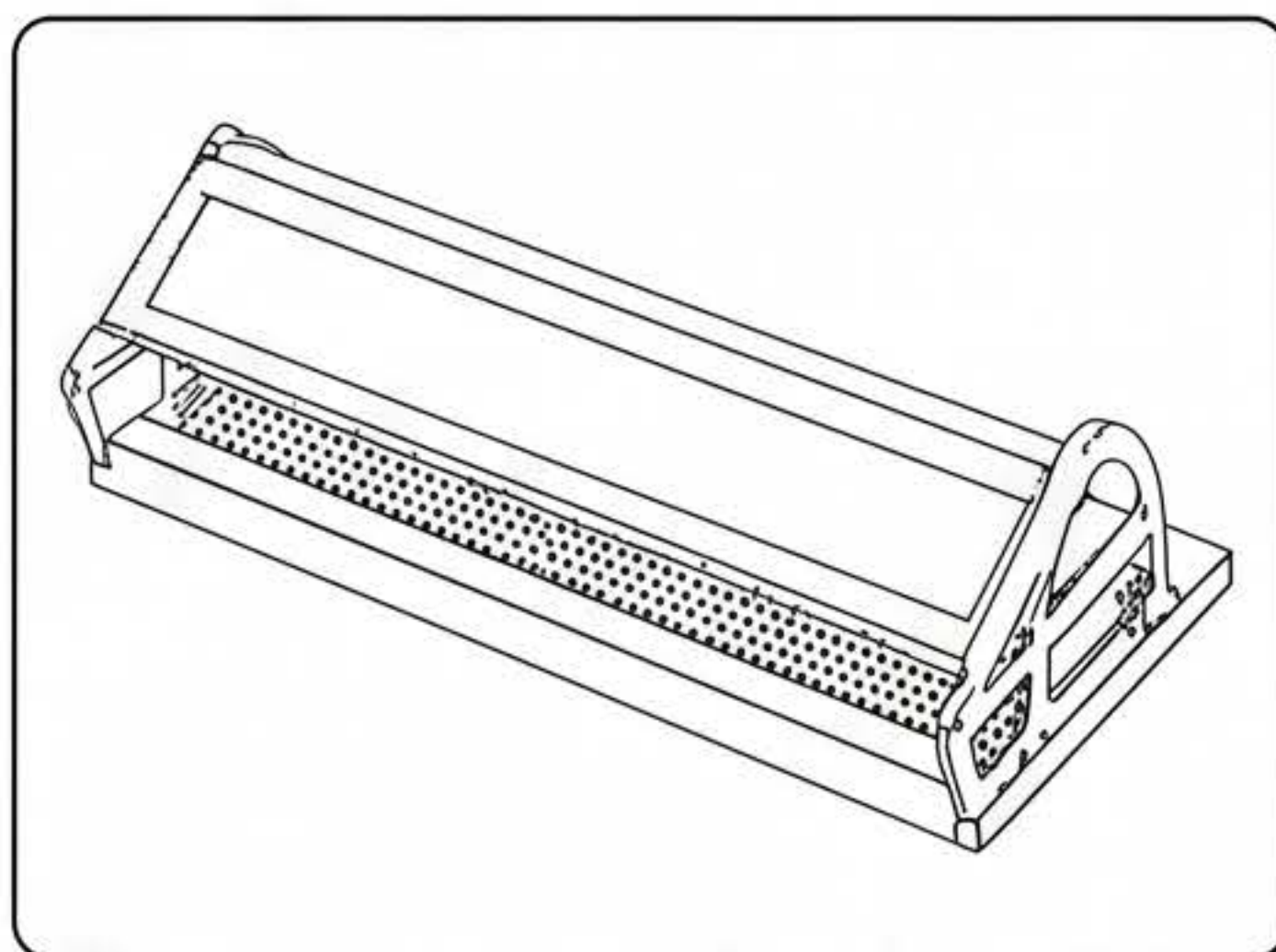
5. Take out the smooth connectors and insert them into the side bracket holes.



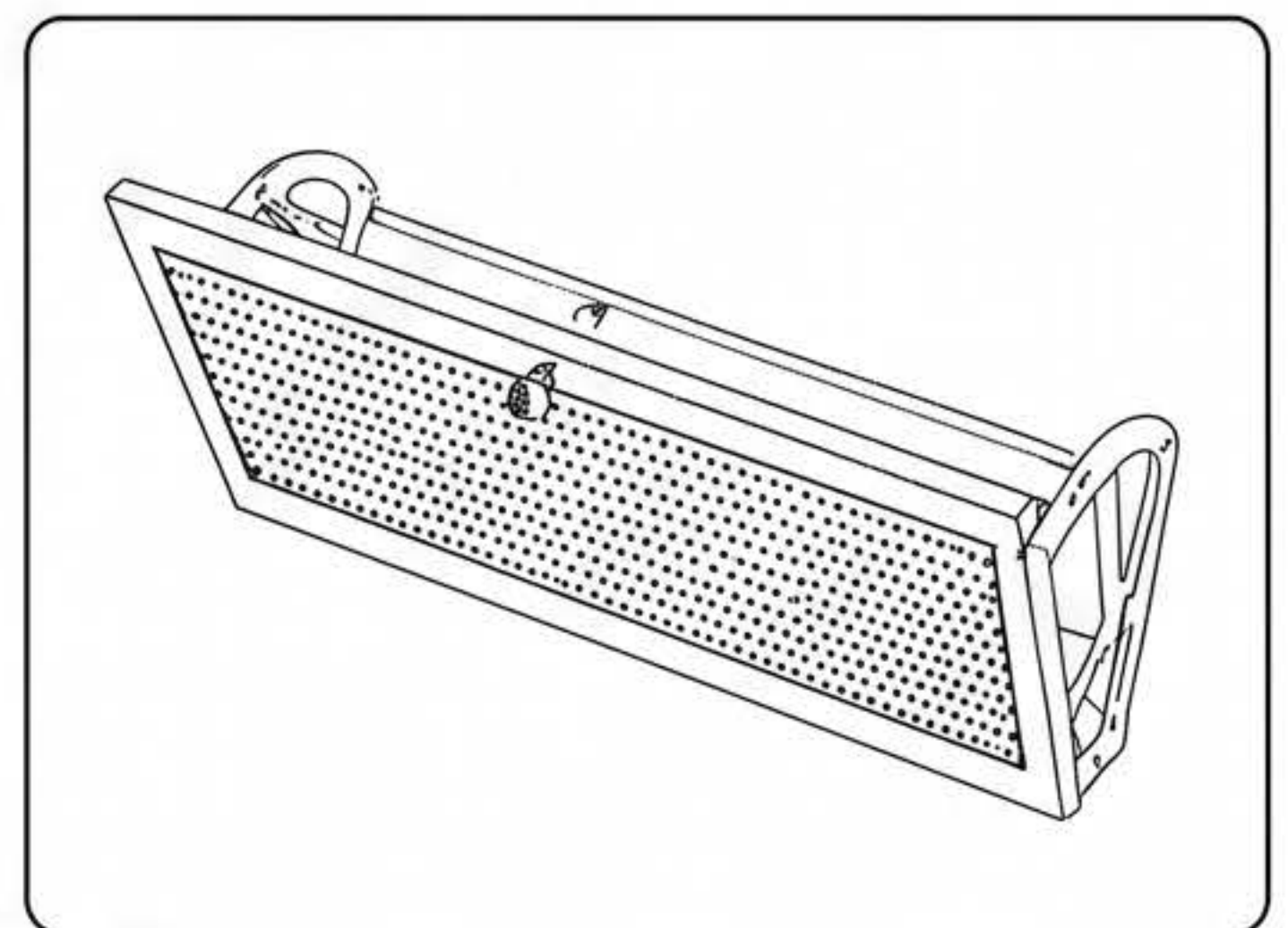
6. Take out the door panel and plastic brackets, install both sides with small screws.



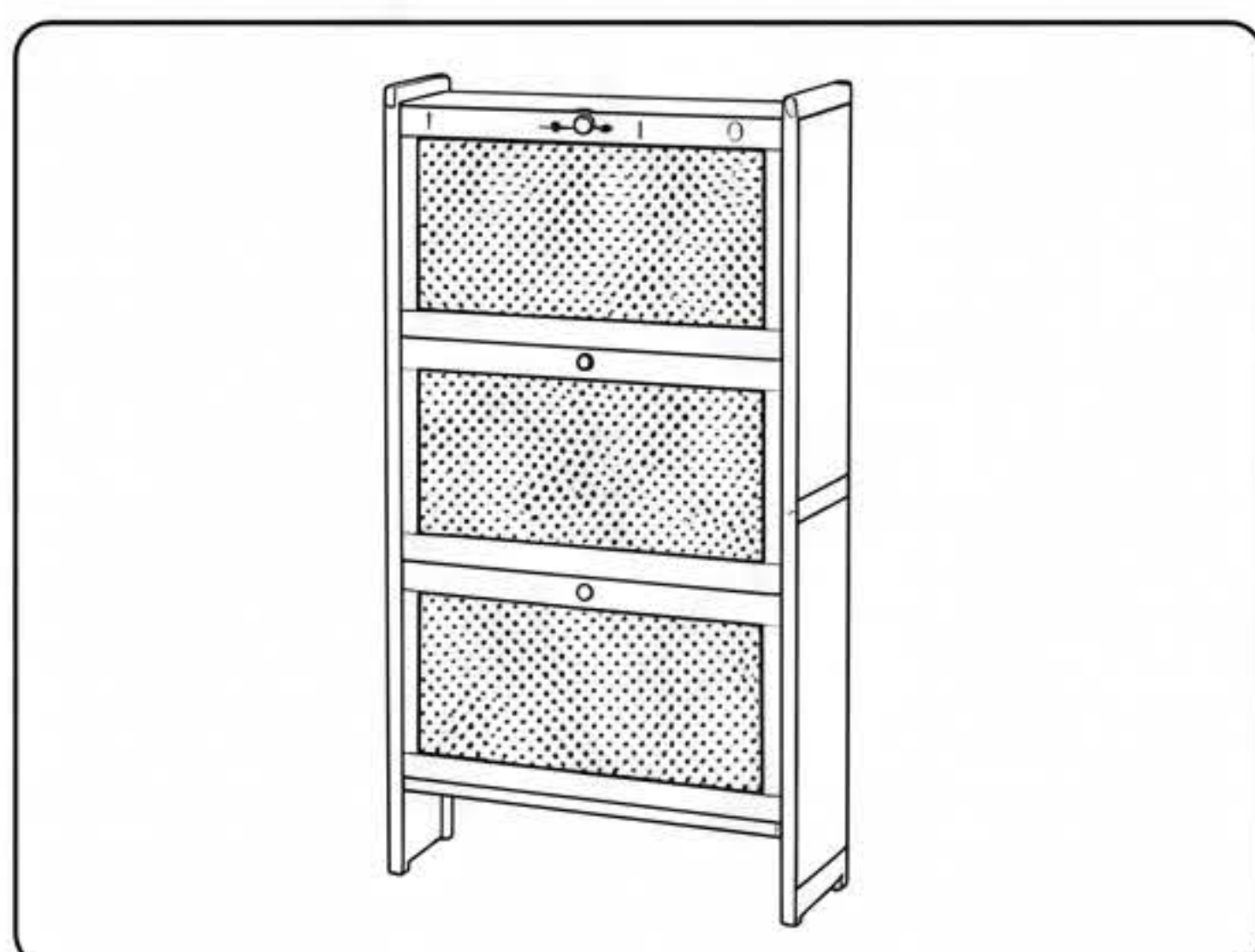
7. Take out baffle A and install with small screws.



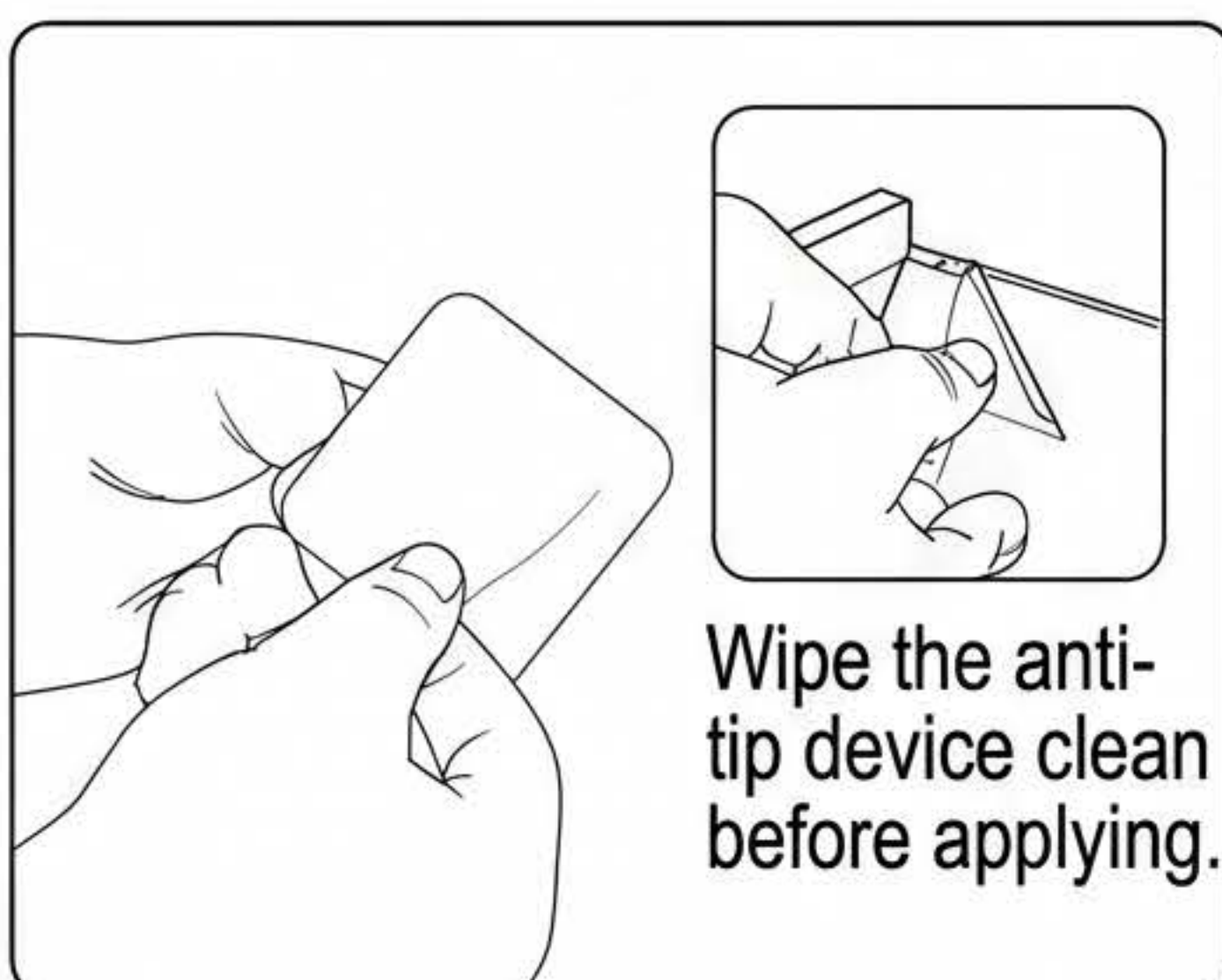
8. Take out baffle B and install with small screws.



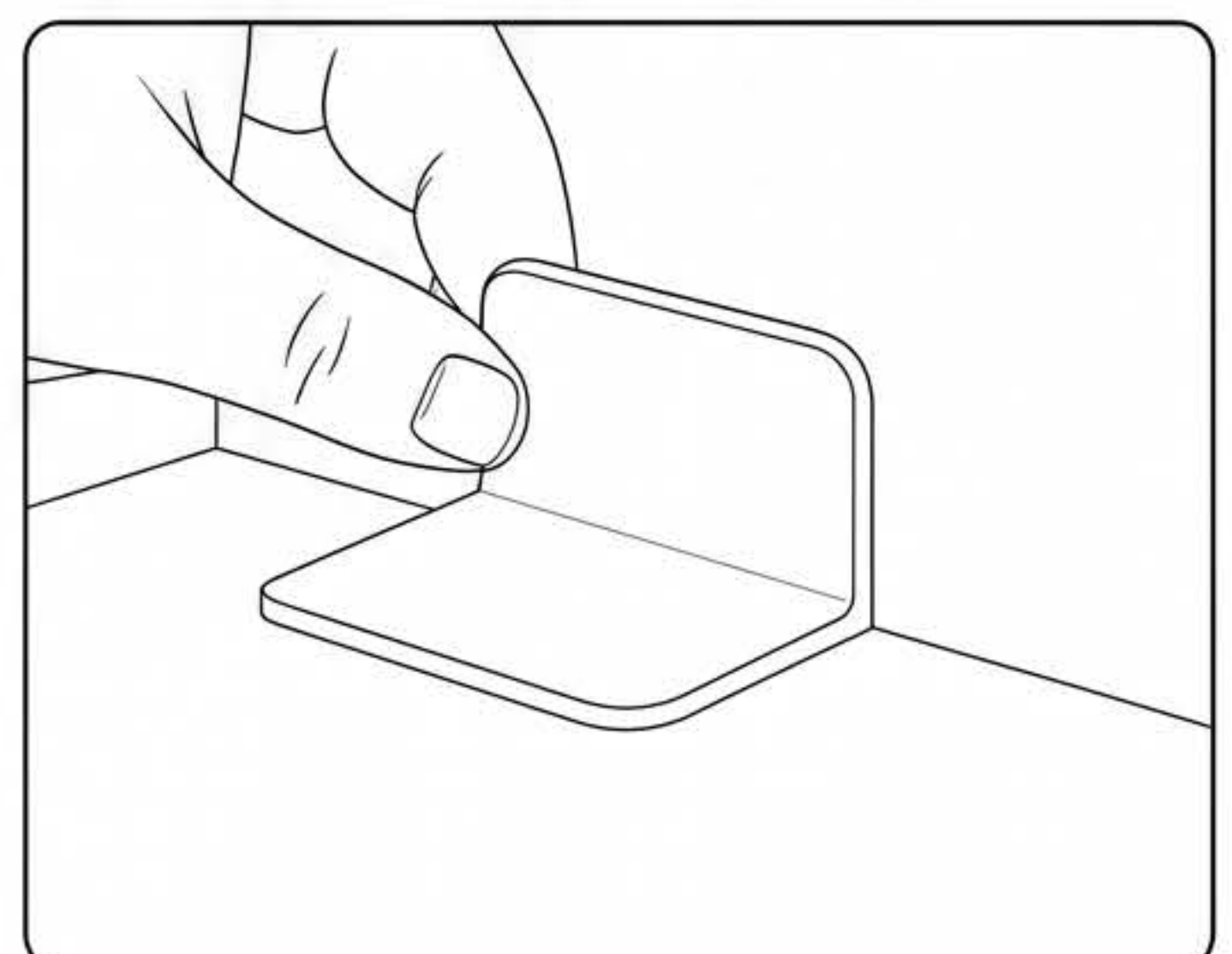
9. Take out the door handle and install with flat-head screws.



10. Secure the door panel to the side bracket using large screws (screws go through the smooth connectors).



11. Peel off the double-sided tape and apply to the anti-tip device (on both front and back).



12. Then fix to the wall as shown (ensure the wall and shoe cabinet are clean before sticking).